



US00D802298S

(12) **United States Design Patent** (10) **Patent No.:** **US D802,298 S**
Sassi (45) **Date of Patent:** **** Nov. 14, 2017**

(54) **BAG**
(71) Applicant: **VALENTINO S.p.A.**, Milan (IT)
(72) Inventor: **Stefano Sassi**, Milan (IT)
(73) Assignee: **Valentino S.p.A.**, Milan (IT)
(**) Term: **15 Years**

D718,931 S * 12/2014 Brundl D3/232
D728,225 S * 5/2015 McNamara D3/243
D758,723 S * 6/2016 Stulman D3/246
D761,555 S * 7/2016 Philo D3/232
D762,061 S * 7/2016 Serrano D3/243
D763,571 S * 8/2016 Borgo D3/243
D776,923 S * 1/2017 Sassi D3/243
2011/0284563 A1* 11/2011 Henderson A45C 13/02
220/694

(21) Appl. No.: **29/570,794**
(22) Filed: **Jul. 12, 2016**

(30) **Foreign Application Priority Data**

Jan. 13, 2016 (IT) 402016000002524

(51) **LOC (10) Cl.** **03-01**

(52) **U.S. Cl.**
USPC **D3/243; D3/246**

(58) **Field of Classification Search**
USPC D3/201, 205, 206, 231–233, 239–247,
D3/258, 273, 299, 301, 303, 318, 901,
D3/903; D12/409
CPC A45C 13/02; A45C 13/06; A45C 13/08;
A45C 13/26; A45C 1/024; A45C 7/0077;
A45C 3/04; A45C 3/06
See application file for complete search history.

(56) **References Cited**

U.S. PATENT DOCUMENTS

D163,726 S * 6/1951 Wiggin 150/108
D170,477 S * 9/1953 Pichel D3/241
2,701,597 A * 2/1955 Levins, Jr. A24F 23/02
206/259
D370,341 S * 6/1996 Azar D3/233
D530,083 S * 10/2006 Guyon D3/246
D684,766 S * 6/2013 Gerbi D3/243

OTHER PUBLICATIONS

Purseblog, L.A.M.B. Ultraviolet Briquette Leather Bag, posted on Mar. 16, 2010, [online], [site visited on Jun. 28, 2017]. Available from Internet, <URL: <http://www.purseblog.com/savvy/l-a-m-b-ultraviolet-briquette-leather-bag/>>.*
Purseblog, Character Study: Joan Holloway of “Mad Men”, posted Apr. 9, 2014, [online], [site visited on Jun. 28, 2017]. Available from Internet, <URL: <http://www.purseblog.com/celebrities/character-study-joan-holloway-mad-men/>>.*

(Continued)

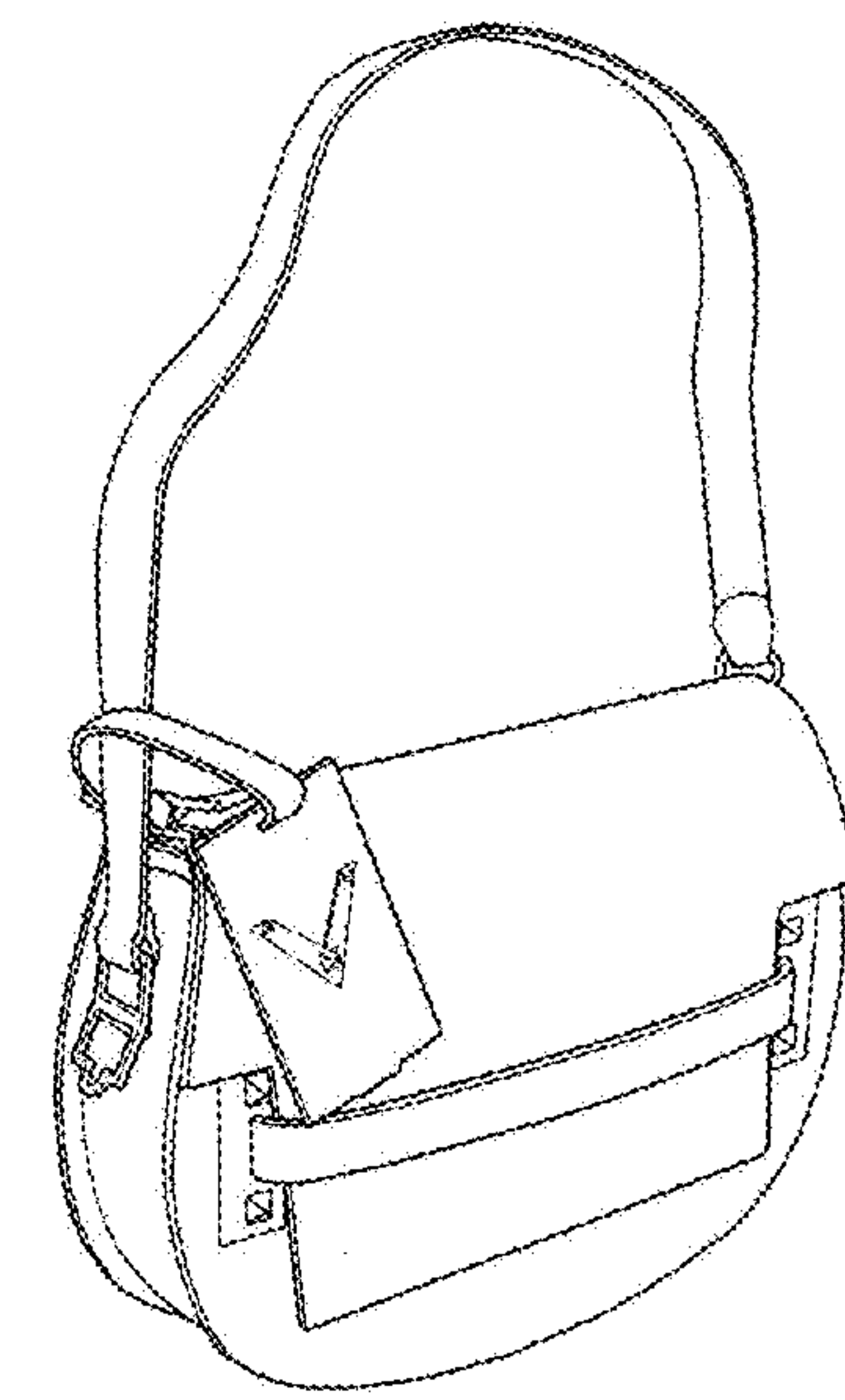
Primary Examiner — Sheryl Lane
Assistant Examiner — Samantha Wood
(74) *Attorney, Agent, or Firm* — Thomas I Horstemeyer, LLP

(57) **CLAIM**
The ornamental design for a bag, as shown and described.

DESCRIPTION

FIG. 1 is a perspective view of my new design;
FIG. 2 is a front view thereof;
FIG. 3 is a rear view thereof;
FIG. 4 is a side view thereof;
FIG. 5 is a side view thereof, from a side opposite that of FIG. 4;
FIG. 6 is a top view thereof; and,
FIG. 7 is a bottom view thereof.

1 Claim, 7 Drawing Sheets



(56)

References Cited

OTHER PUBLICATIONS

Etsy, Vintage Coach Bella Court Bag, 1980s Leather Purse Handbag, created in the 1980's, [online], [site visited on Jun. 29, 2017]. Available from Internet, <URL: <https://www.etsy.com/listing/199574790/vintage-coach-bella-court-bag-small>>.*

I Want Vintage, Versace Vanitas Handbag in White, posted on Mar. 21, 2014, [online], [site visited on Jun. 29, 2017]. Available from Internet, <URL: <http://iwantvintage.blogspot.com/2014/03/versace-vanitas-handbag-in-white.html>>.*

I Want Vintage, Coach Mini Sling Belt Bag No. B0C 9826, posted Sep. 6, 2013, [online], [site visited on Jun. 29, 2017]. Available from Internet, <URL: <http://iwantvintage.blogspot.com/2013/09/coach-mini-sling-belt-bag-no-b0c-9826.html>>.*

* cited by examiner

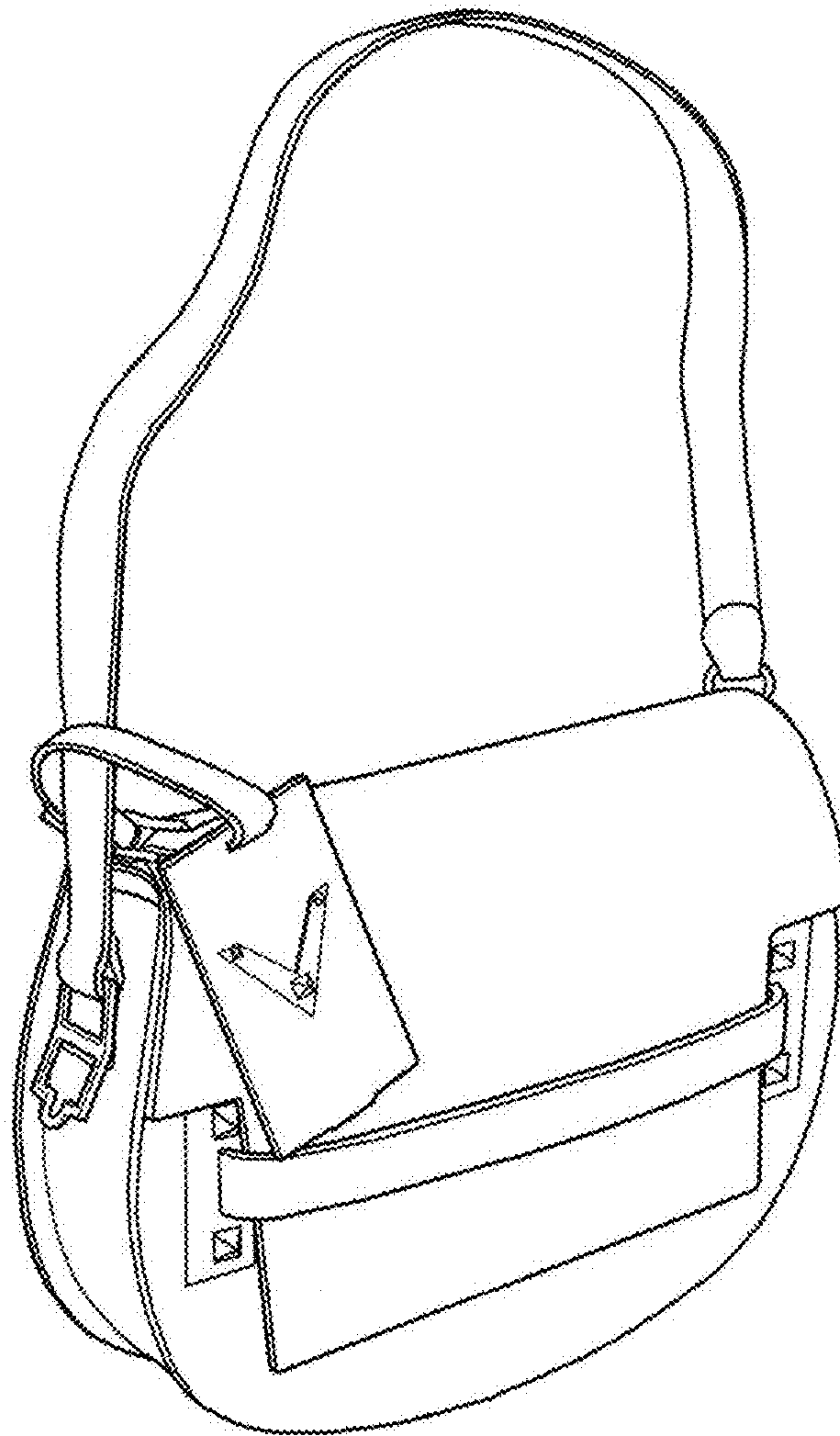


FIG. 1

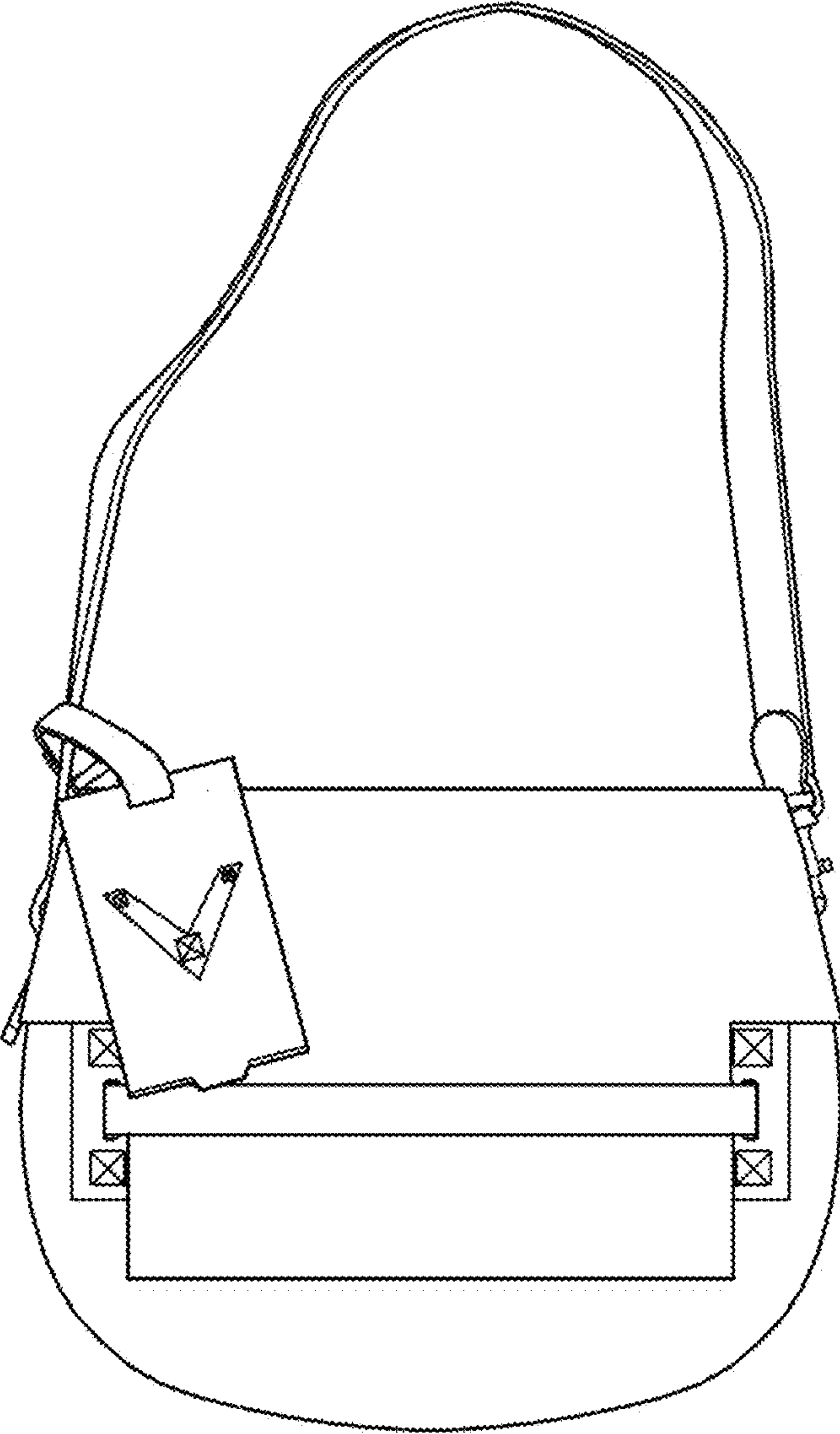


FIG. 2

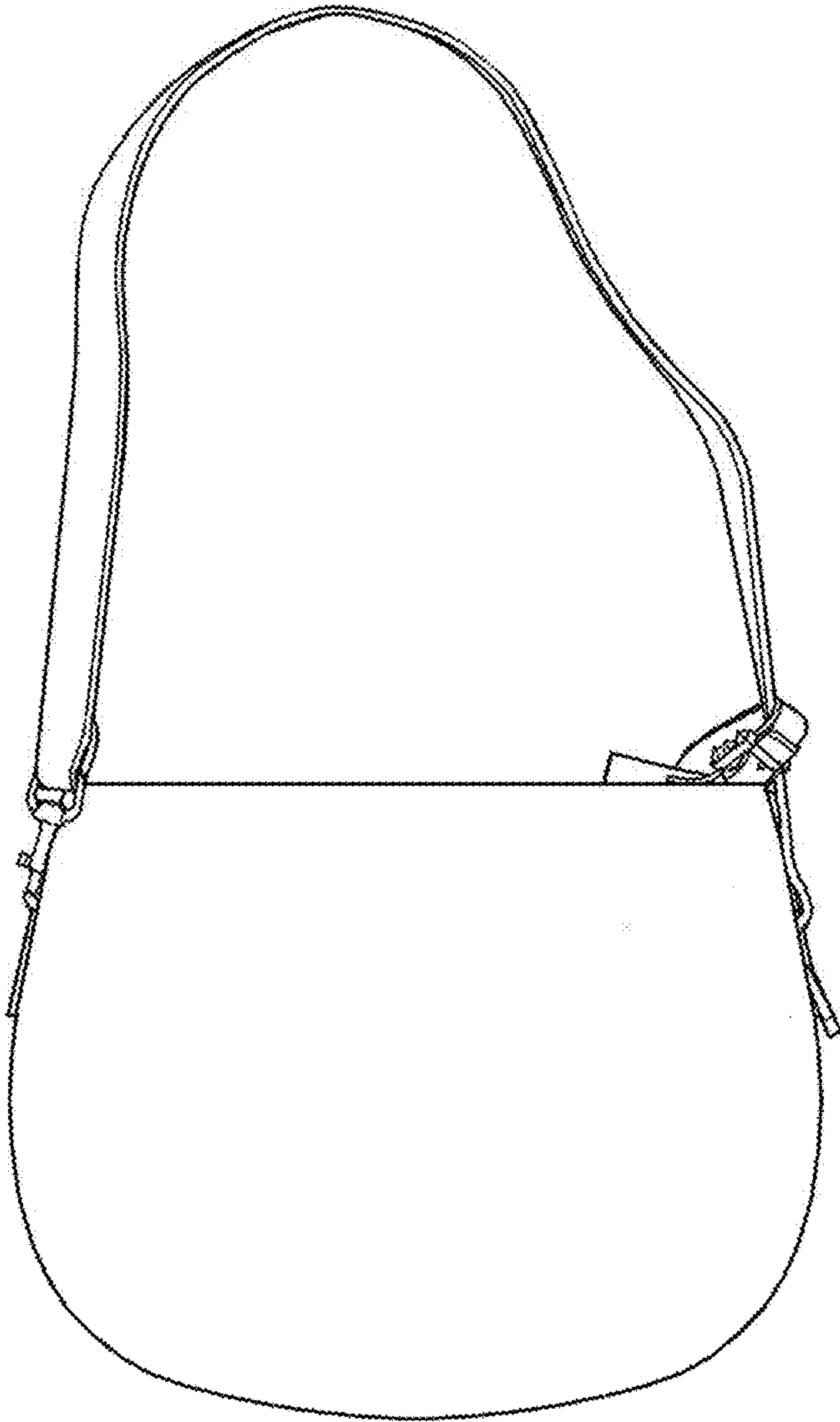


FIG. 3

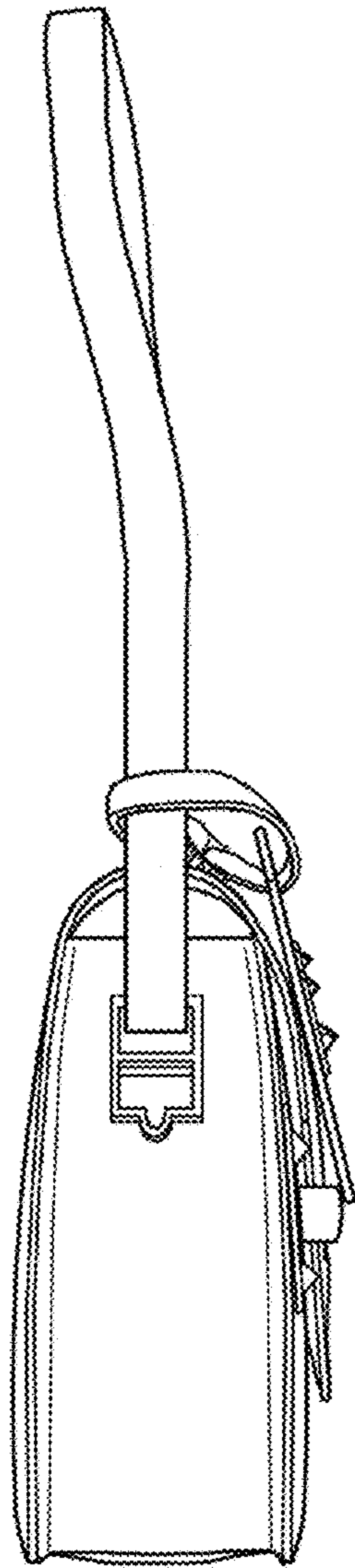


FIG. 4

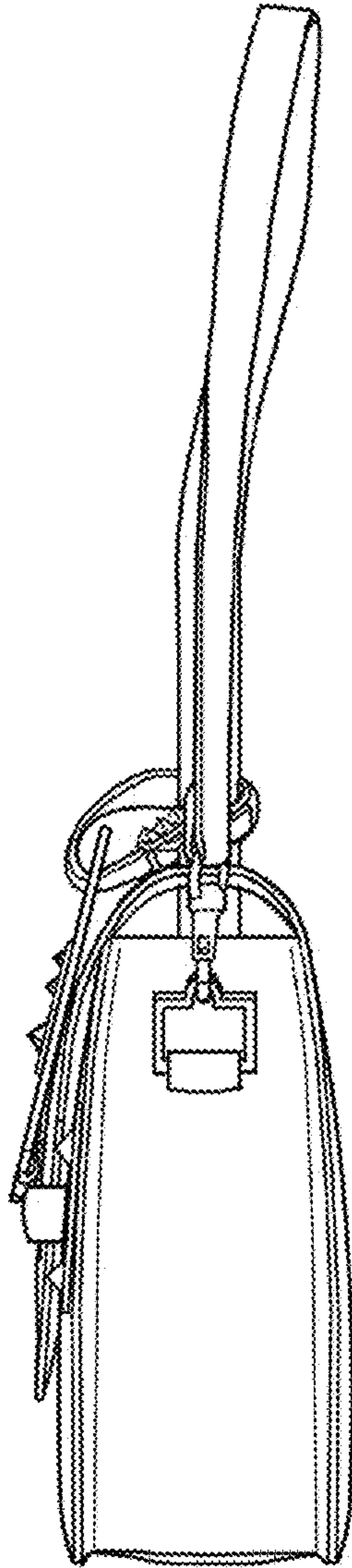


FIG. 5

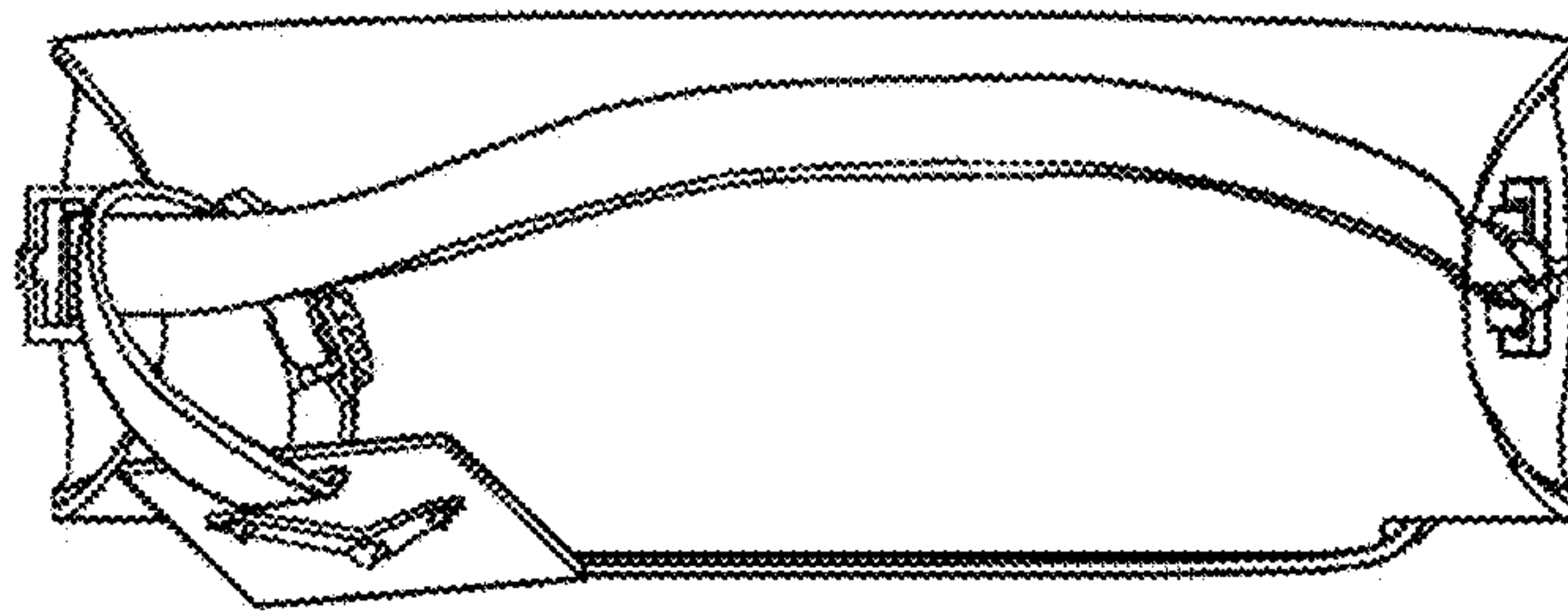


FIG. 6

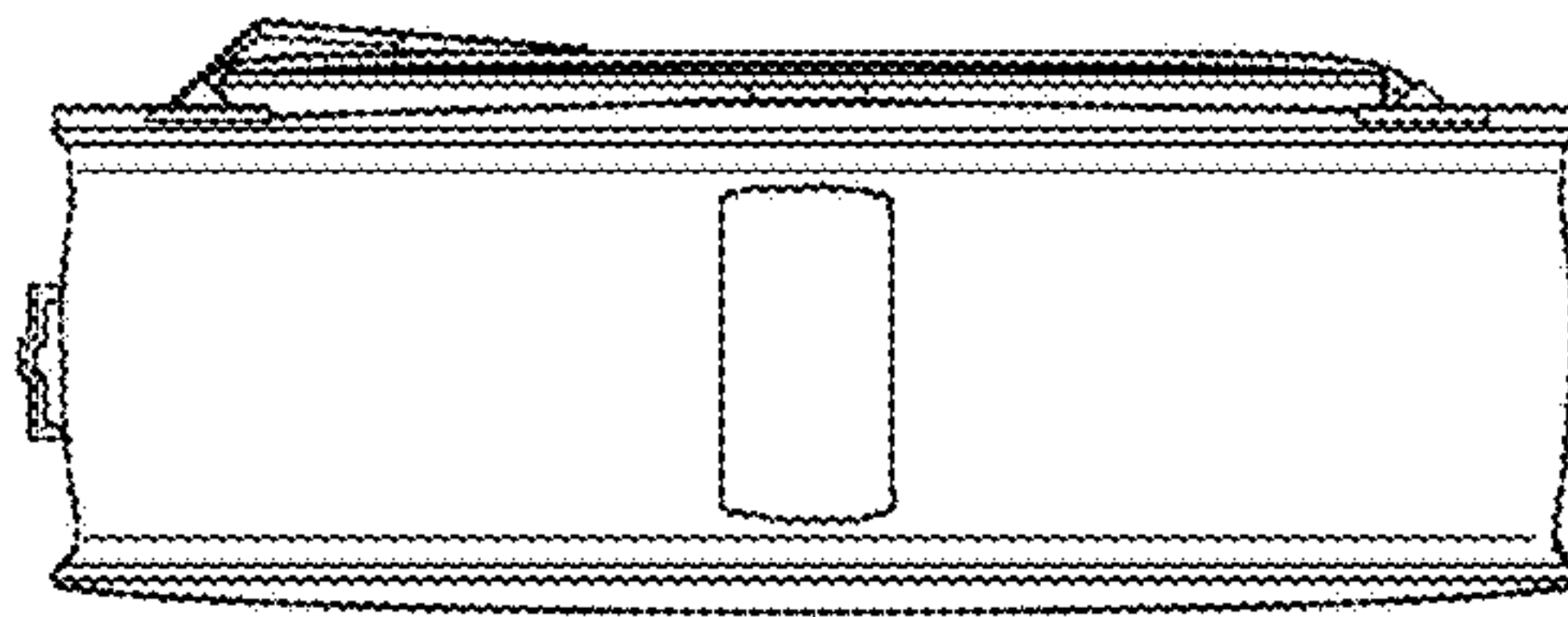


FIG. 7