



US00D802297S

(12) **United States Design Patent**
Dumas

(10) **Patent No.:** **US D802,297 S**
(45) **Date of Patent:** **** Nov. 14, 2017**

- (54) **BAG**
- (71) Applicant: **Hermes Sellier (Societe Par Actions Simplifree)**, Paris (FR)
- (72) Inventor: **Pierre-Alexis Dumas**, Paris (FR)
- (73) Assignee: **Hermes Sellier (Societe Par Actions Simplifree)**, Paris (FR)
- (**) Term: **15 Years**
- (21) Appl. No.: **29/575,625**
- (22) Filed: **Aug. 26, 2016**

D773,813 S * 12/2016 Jakubowski D3/246

* cited by examiner

Primary Examiner — Holly H Baynham

(74) *Attorney, Agent, or Firm* — Foley & Lardner LLP

(30) **Foreign Application Priority Data**

Feb. 29, 2016 (WO) DM/089592

(51) **LOC (10) Cl.** **03-01**

(52) **U.S. Cl.**
USPC **D3/232**

(58) **Field of Classification Search**
USPC D3/232
CPC A45C 1/024; A45C 3/06
See application file for complete search history.

(56) **References Cited**

U.S. PATENT DOCUMENTS

- D711,095 S * 8/2014 Chen D3/232
- D763,570 S * 8/2016 Potts D3/232

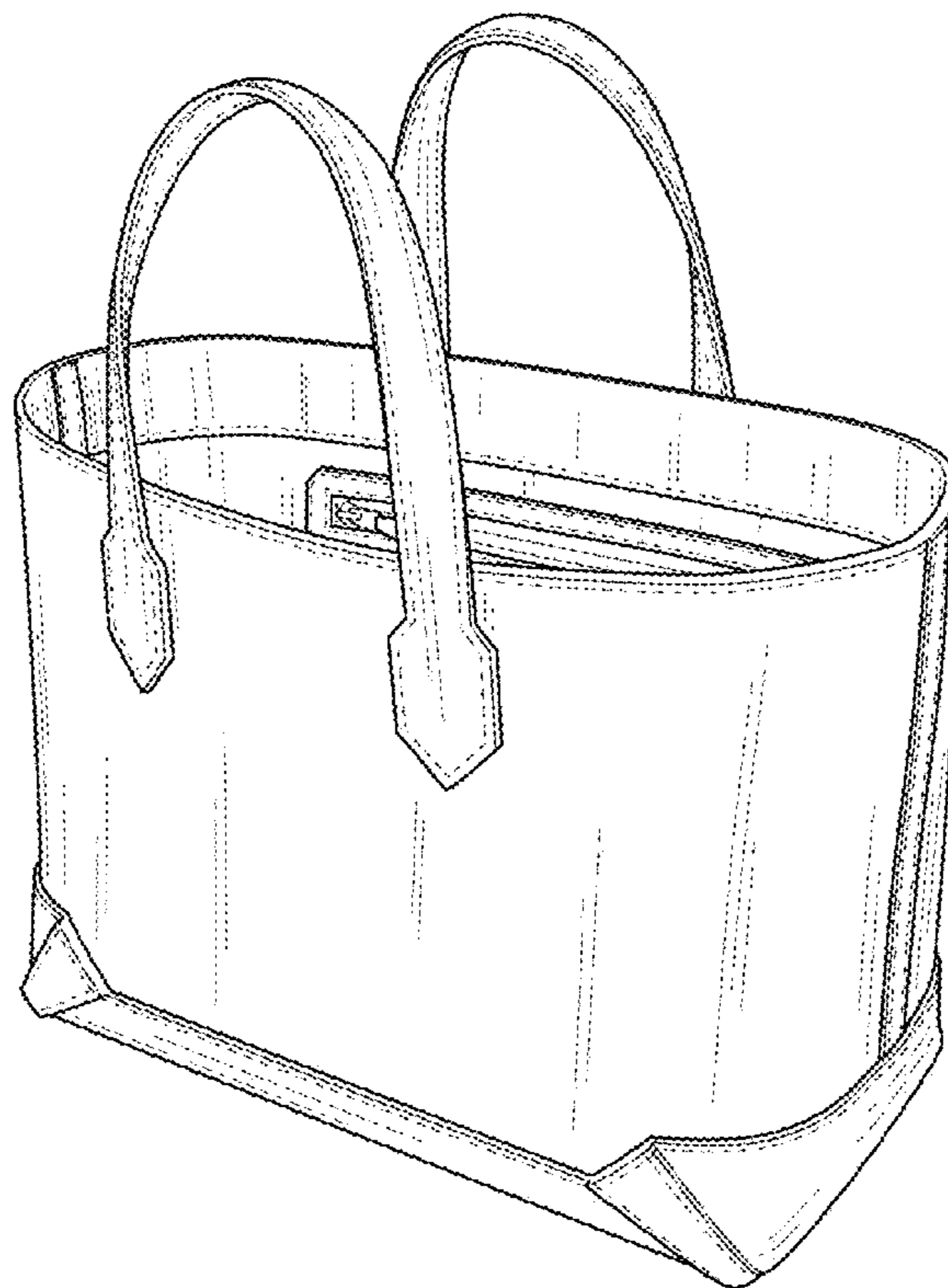
(57) **CLAIM**

I claim the ornamental design for a bag, as shown and described.

DESCRIPTION

FIG. 1 is a front perspective view of a bag of the claimed design;
 FIG. 2 is a front elevational view of the bag shown in FIG. 1;
 FIG. 3 is a rear elevational view of the bag shown in FIG. 1;
 FIG. 4 is a right side devotional view of the bag shown in FIG. 1;
 FIG. 5 is a left side elevational view of the bag shown in FIG. 1;
 FIG. 6 is a top plan view of the bag shown in FIG. 1; and,
 FIG. 7 is a bottom plan view of the bag shown in FIG. 1.

1 Claim, 7 Drawing Sheets



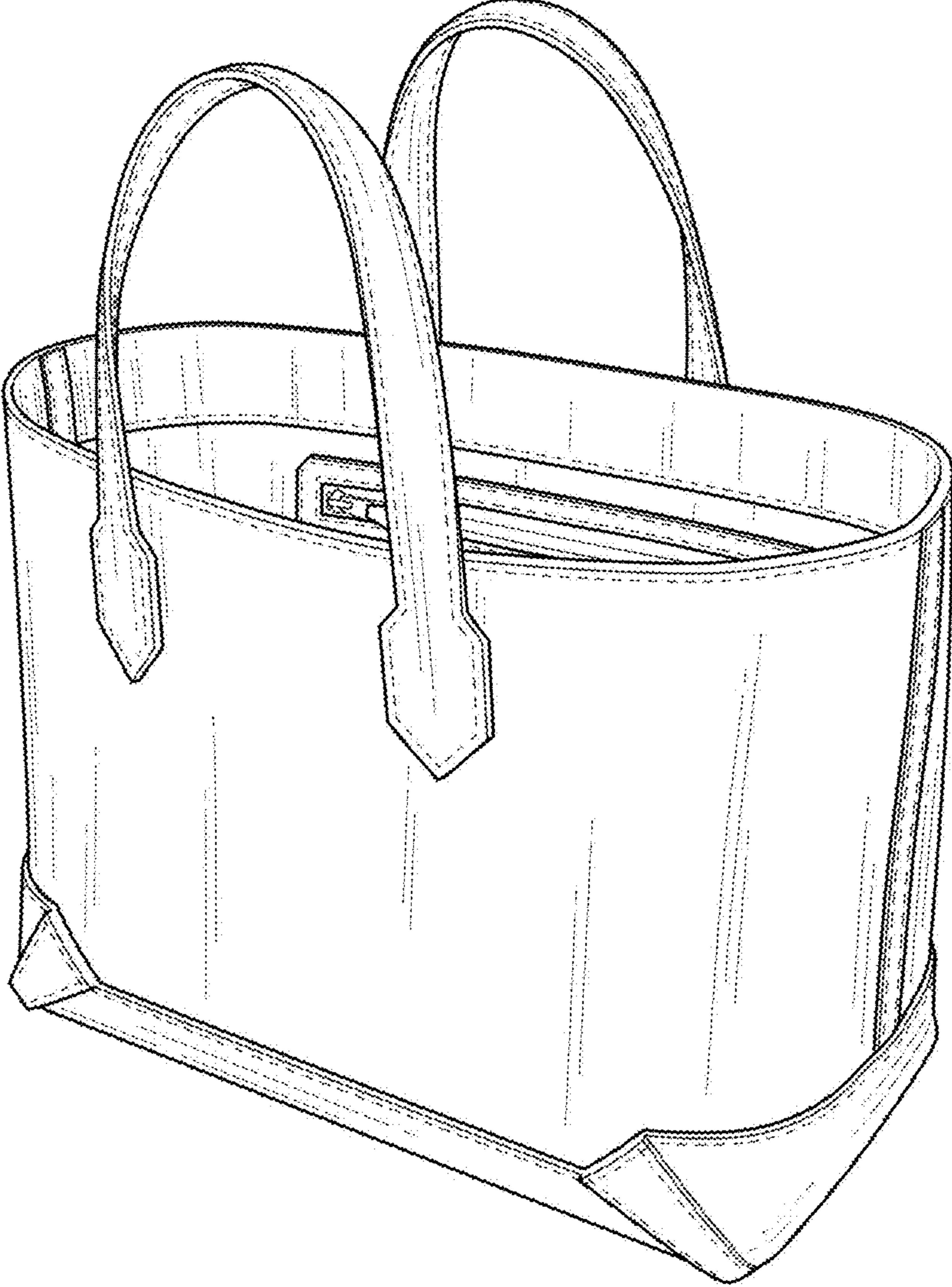


FIG. 1



FIG. 2



FIG. 3

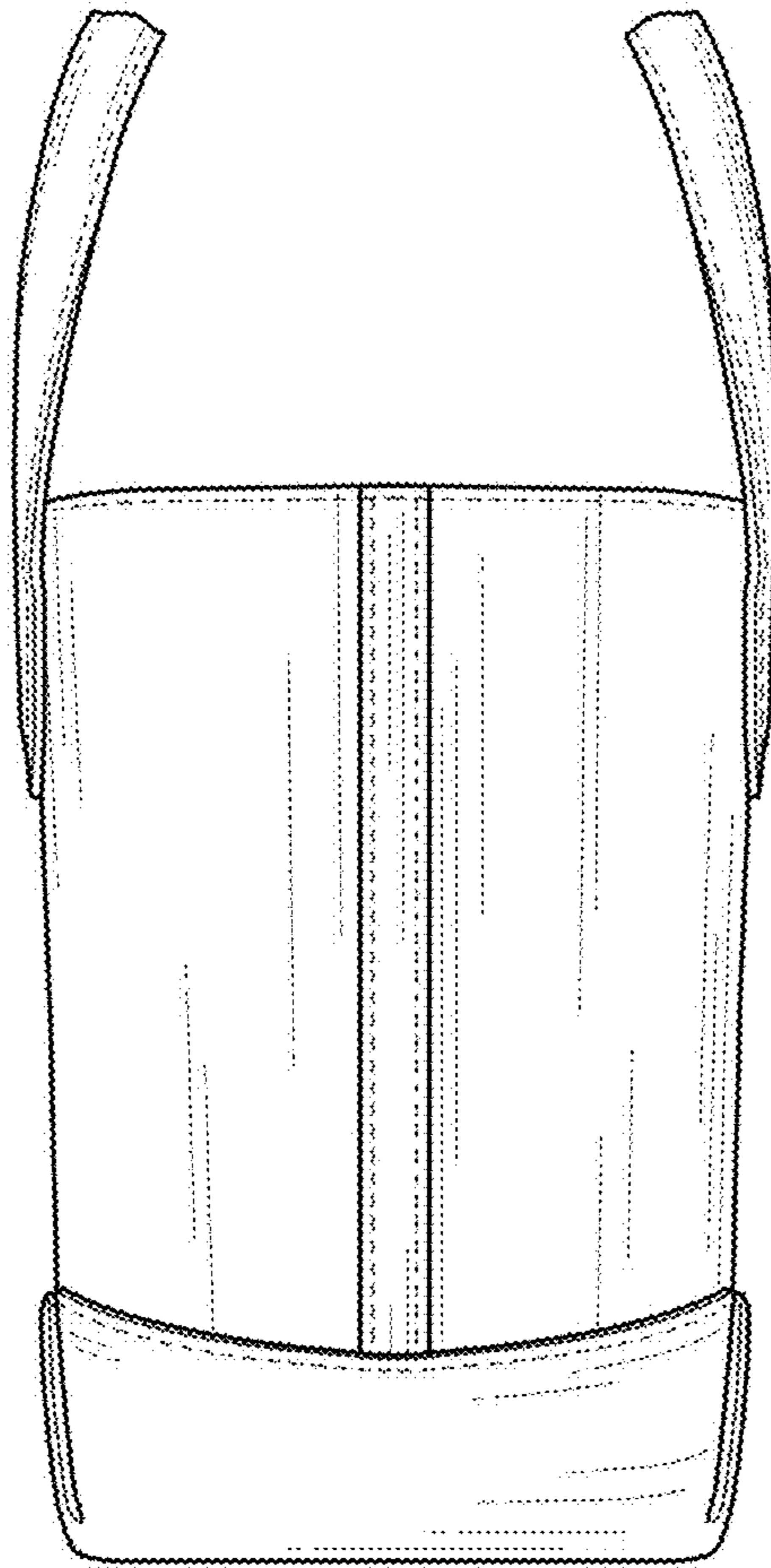


FIG. 4

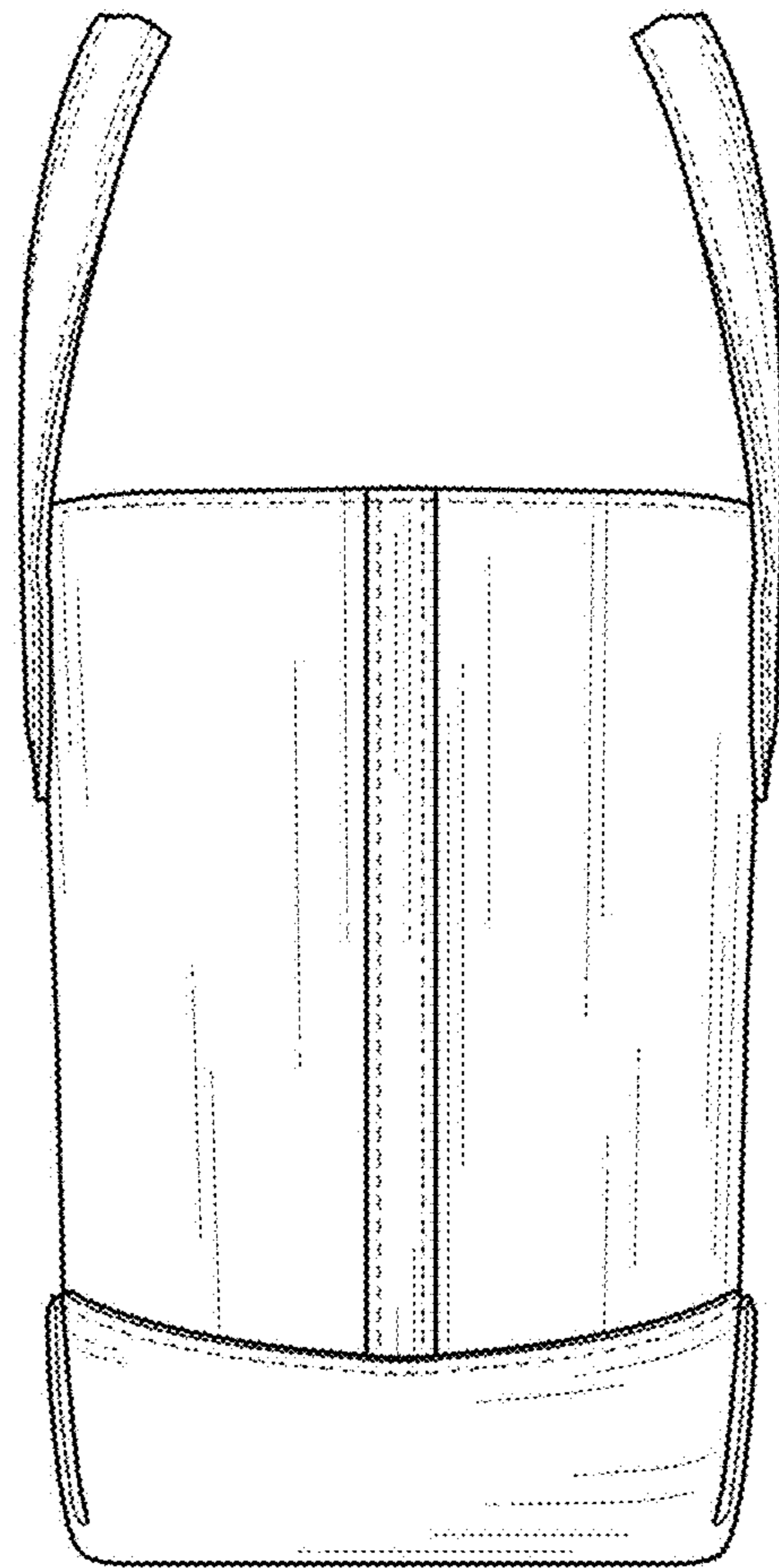


FIG. 5

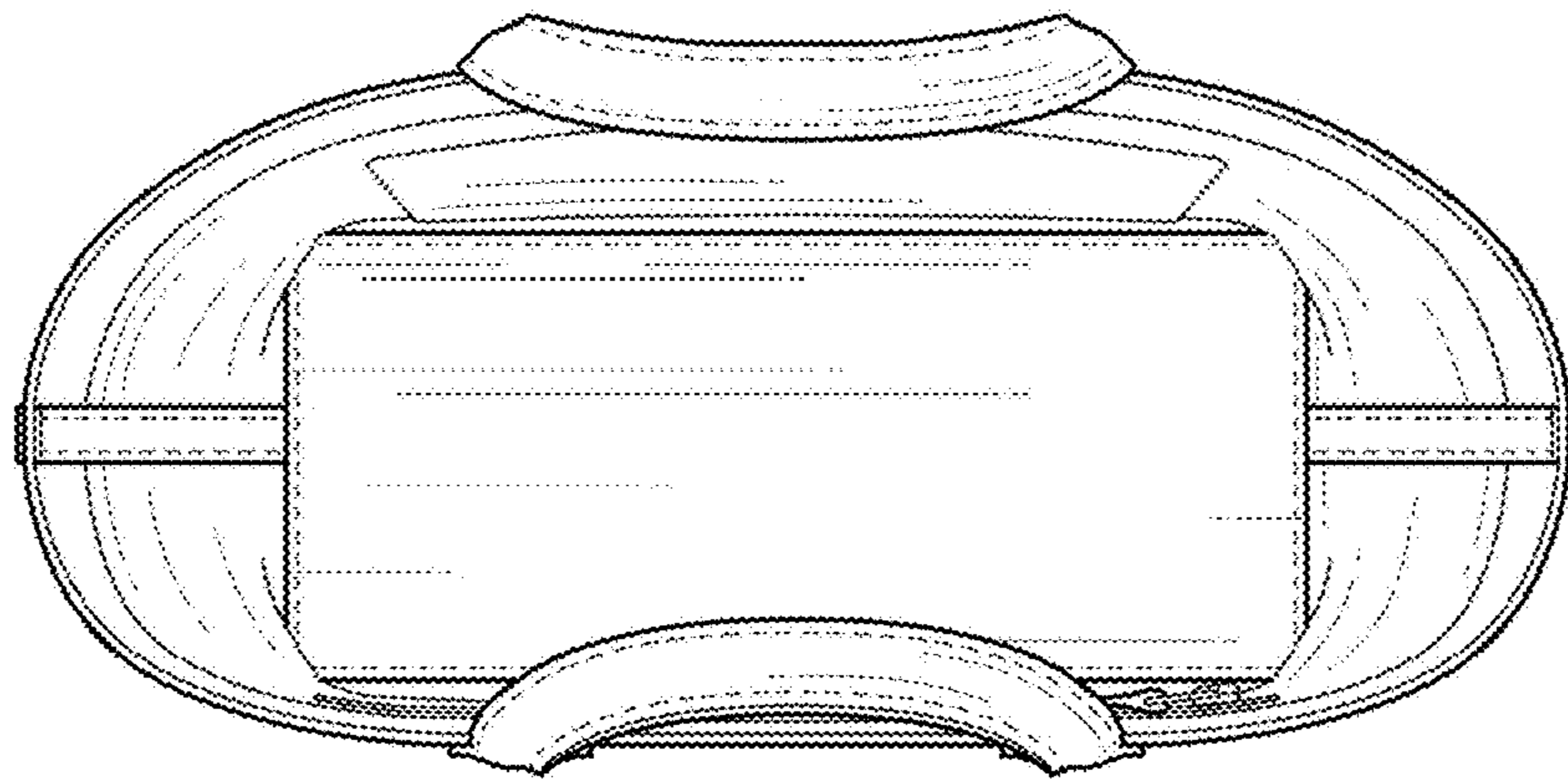


FIG. 6

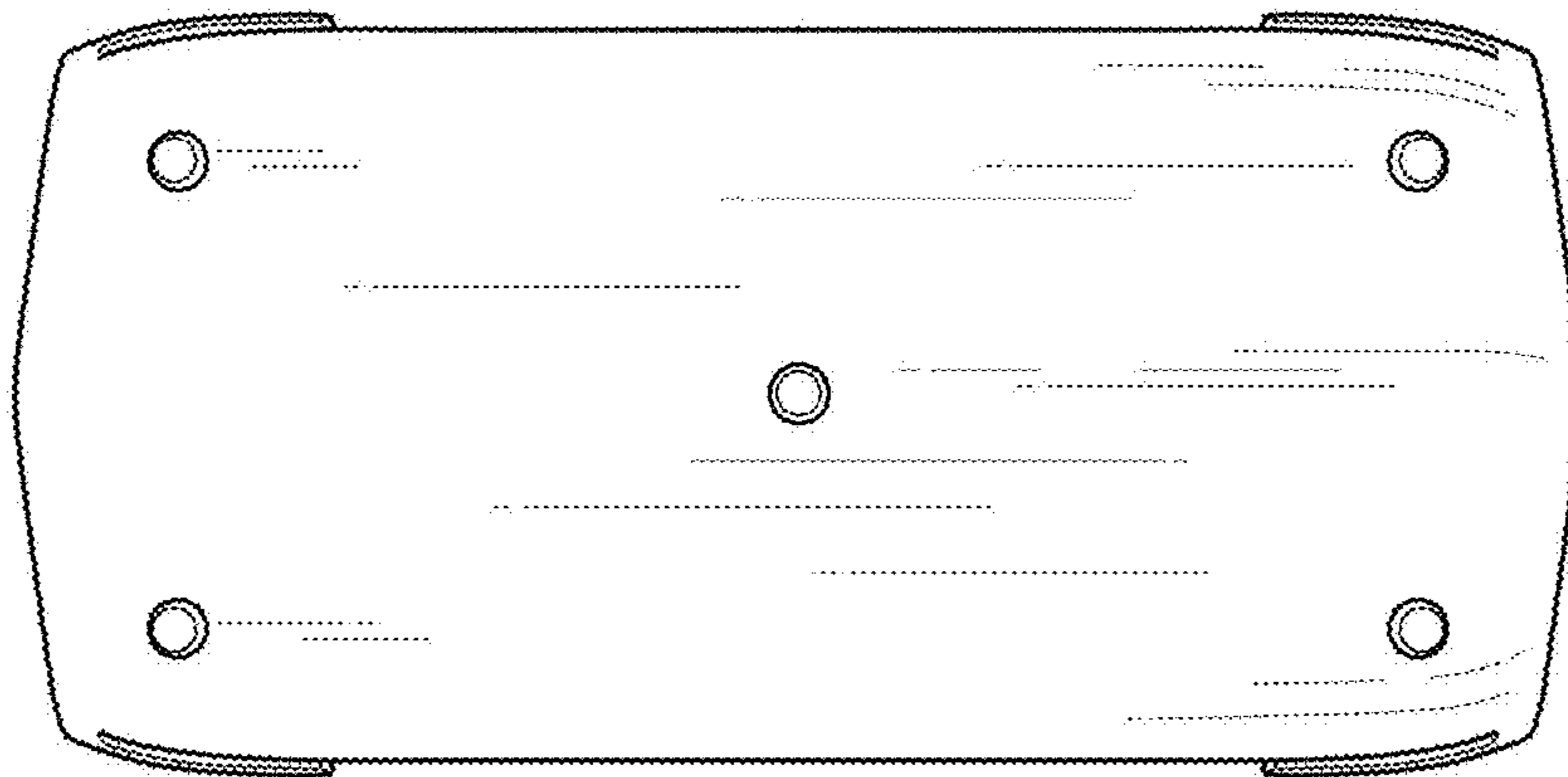


FIG. 7