



US00D802296S

(12) **United States Design Patent**
Cosignani et al.

(10) **Patent No.:** **US D802,296 S**

(45) **Date of Patent:** **** Nov. 14, 2017**

- (54) **SHEARS SHEATH**
- (71) Applicant: **Lifetime Brands, Inc.**, Garden City, NY (US)
- (72) Inventors: **Luis Rodrigo Olea Cosignani**, Glen Cove, NY (US); **Petros Stambolis**, Franklin Square, NY (US)
- (73) Assignee: **LIFETIME BRANDS, INC.**, Garden City, NY (US)
- (**) Term: **15 Years**
- (21) Appl. No.: **29/570,909**
- (22) Filed: **Jul. 13, 2016**
- (51) **LOC (10) Cl.** **03-01**
- (52) **U.S. Cl.**
USPC **D3/220**
- (58) **Field of Classification Search**
USPC D3/200, 220; D22/118; D8/65, 71, 93, D8/95-99; 30/143, 151, 155, 161-162, 30/391, 504, 138, 146; 206/317, 349, 206/521, 564; 224/197, 198, 232, 234, 224/242, 245, 246, 269, 576, 581, 624, 224/666, 674, 676, 904; 451/555; 24/3.1, 3.11
CPC B26B 29/025; B26B 3/00; F41B 13/00; F41B 13/04
See application file for complete search history.

(56) **References Cited**

U.S. PATENT DOCUMENTS

- D140,745 S * 4/1945 Fairbairn et al. 224/232
- 2,528,059 A * 10/1950 Kendrick B26B 29/025
- 224/232
- D219,897 S * 2/1971 Laughlin D3/220
- D251,436 S * 3/1979 Johnson D3/220
- D255,507 S * 6/1980 Gingher, Jr. D3/220
- D265,147 S * 6/1982 Jackson D3/220

- 4,495,696 A * 1/1985 Fethke B24D 15/063
- 30/138
- D296,498 S * 7/1988 Collins D3/220
- 4,805,350 A * 2/1989 Farrer B24D 15/084
- 30/138
- D330,491 S * 10/1992 Worsfold D7/638
- D339,963 S * 10/1993 Roberts D7/638
- D341,753 S * 11/1993 Winyard D7/638
- 5,388,740 A * 2/1995 Garland A45F 5/02
- 224/242

(Continued)

OTHER PUBLICATIONS

Columbia River 5006 Crossover Camp Shears/Scissors Combo, Leather Sheath, KnifeCenter.com, [online], [site visited May 15, 2017]. <URL: <https://www.knifecenter.com/item/CR5006/Columbia-River-5006-Crossover-Camp-ShearsScissors-Combo-with-Leather-Sheath>>.*

(Continued)

Primary Examiner — T. Chase Nelson
Assistant Examiner — Jonathan J Han
(74) *Attorney, Agent, or Firm* — Tutunjian & Bitetto, P.C.

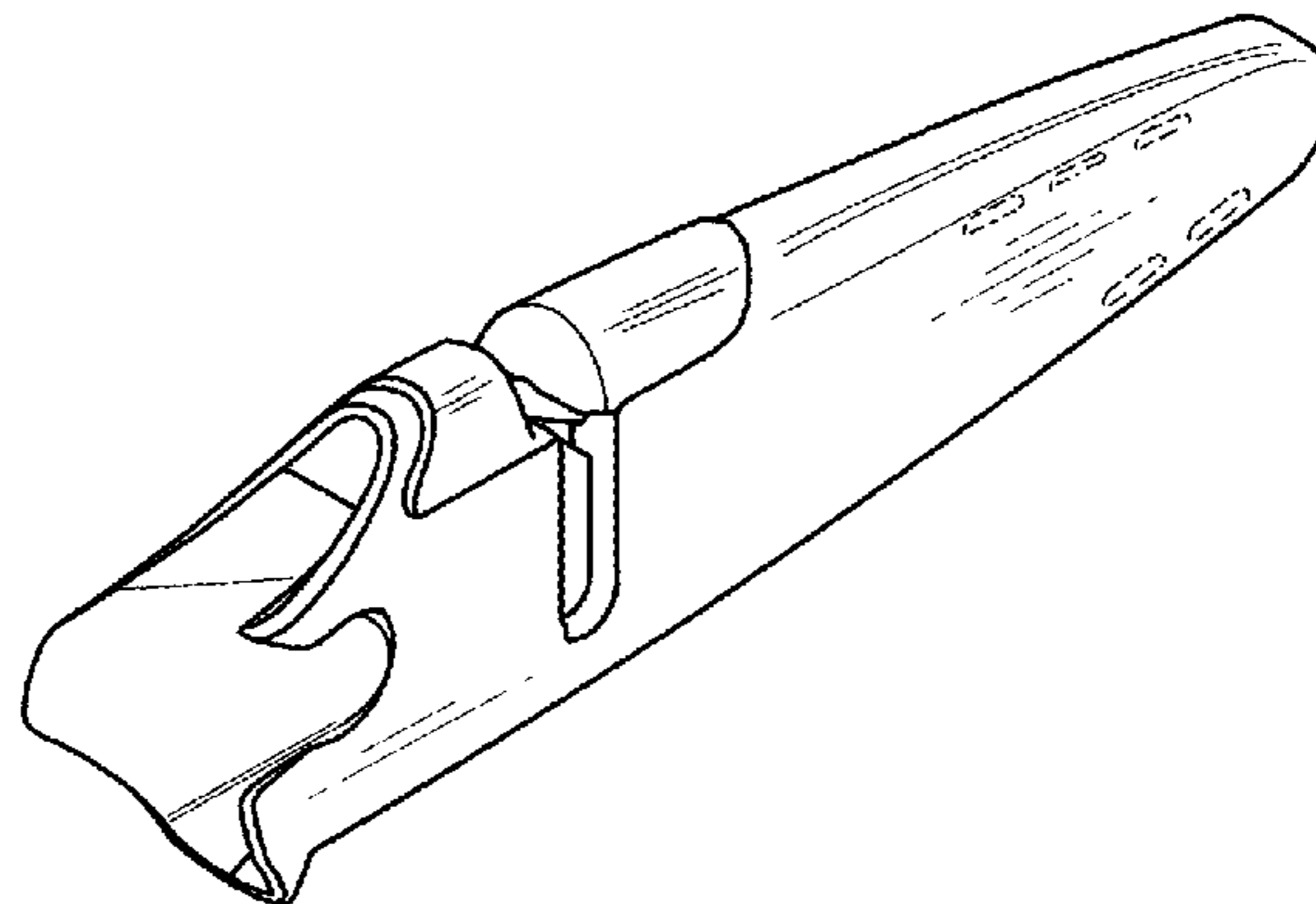
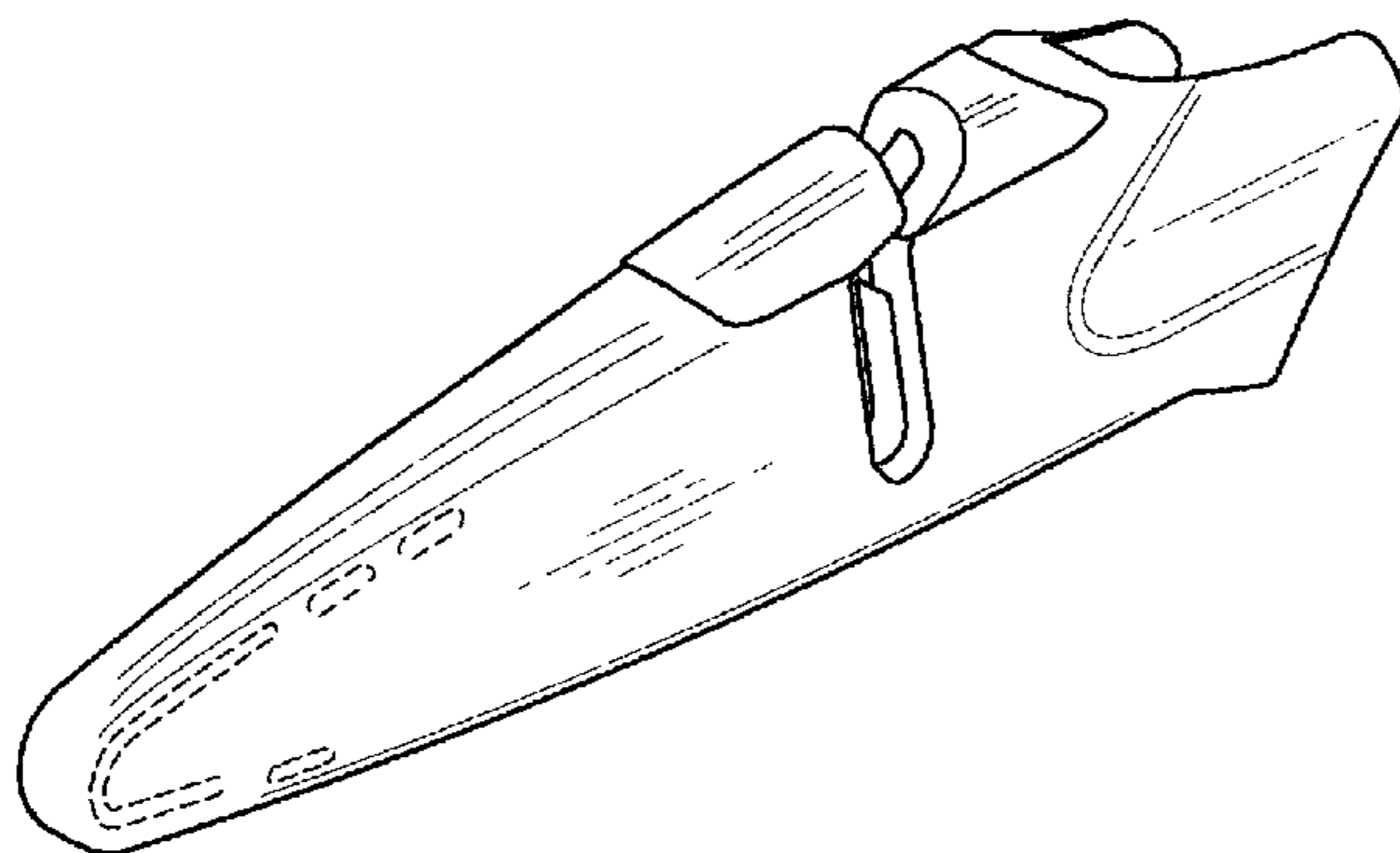
(57) **CLAIM**

The ornamental design for a shears sheath, as shown and described.

DESCRIPTION

FIG. 1 is a front perspective view of the shears sheath showing our new design;
FIG. 2 is a rear perspective view thereof;
FIG. 3 is a top view thereof;
FIG. 4 is a right side view thereof;
FIG. 5 is a bottom view thereof;
FIG. 6 is a left side view thereof;
FIG. 7 is a front view thereof; and,
FIG. 8 is a rear view thereof.
The broken lines in the drawings are used to illustrate unclaimed portions and form no part of the claimed design.

1 Claim, 3 Drawing Sheets



(56)

References Cited

OTHER PUBLICATIONS

U.S. PATENT DOCUMENTS

D374,981	S *	10/1996	Hainsworth	D3/220
5,784,786	A *	7/1998	Williams	B26B 29/025 30/138
D405,954	S *	2/1999	Liu	D19/65
D417,073	S *	11/1999	Diener	D3/228
D424,906	S *	5/2000	May	D3/220
6,224,475	B1 *	5/2001	May	B24D 15/084 30/298.4
D491,622	S *	6/2004	Hadley	D22/118
D533,343	S *	12/2006	Gringer	D3/228
D562,549	S *	2/2008	Bodnar	D3/222
D661,169	S *	6/2012	Tinius	D3/220
D672,549	S *	12/2012	McLean	D3/220
D678,743	S *	3/2013	Tinius	D3/220
8,590,427	B2 *	11/2013	Murphy	B24D 15/084 206/349
D724,312	S *	3/2015	Wikstrom	D3/220
D729,446	S *	5/2015	Babel	D28/7
D738,617	S *	9/2015	Kidd	D3/220
D746,585	S *	1/2016	Burge	D3/220
D748,906	S *	2/2016	King	D3/206
D751,883	S *	3/2016	Huang	D8/99
2007/0266569	A1 *	11/2007	Nenadic	B26B 3/06 30/151
2015/0031274	A1 *	1/2015	Beechinor	B24D 15/084 451/553

Vachetta Leather Case/Sheath Sewing/Fabric/Dressmaker Scissors/Shears 7-8 inch, ValueBeltPlus.com, [online], [site visited May 15, 2017]. <URL: <https://valuebeltpus.com/products/vachetta-leather-case-sheath-sewing-fabric-dressmaker-scissors-shears-7-8-inch>>.*

Kitchen Shears 7-in-1 Multifunction Heavy Duty, Take-apart with Magnetic Sheath/holder, Amazon.com, Date first available at Amazon.com: Jul. 8, 2015, [online], [site visited May 15, 2017]. <URL: <https://www.amazon.com/Kitchen-Shears-Multifunction-Take-apart-Magnetic/dp/B0116N5K40>>.*

All-purpose Kitchen Shears, Fiskars.com, [online], [site visited May 15, 2017]. <URL: <http://www2.fiskars.com/Special-Feature/Kitchen-Shears/All-purpose-Kitchen-Shears>>.*

Mesmerizing Super Shears Kitchen Consumer Reports Cutco Holster 5 77 Review Price Penny Reviews Ebay Sheath Cutlery, Tremost.com, [online], [site visited May 15, 2017]. <URL: <http://tremost.com/cutco-kitchen-shears/mesmerizing-super-shears-kitchen-by-cutco-consumer-reports-shears/>>.*

Norpro Stainless Steel Triple Blade Herb Scissors with Sheath, KitchenNova.com, [online], [site visited May 15, 2017]. <URL: <https://www.kitchenova.com/herb-spice-tools/2045-norpro-stainless-steel-triple-blade-herb-scissors-with-sheath.html>>.*

Paring Knife with Sheath . . . , Amazon.com, Date first available at Amazon.com: Feb. 20, 2016, [online], [site visited May 15, 2017]. <URL: <https://www.amazon.com/Perfect-Essential-Kitchen-Protective-Strawberries/dp/B01C073FDO>>.*

Zyliss 6 Piece Kitchen Knife Set with Sheath Covers, Stainless Steel, Wayfair.com, [online], [site visited May 15, 2017]. <URL: <https://www.wayfair.com/Zyliss-Zyliss-6-Piece-Kitchen-Knife-Set-with-Sheath-Covers-Stainless-Steel-ZY11257.html>>.*

* cited by examiner

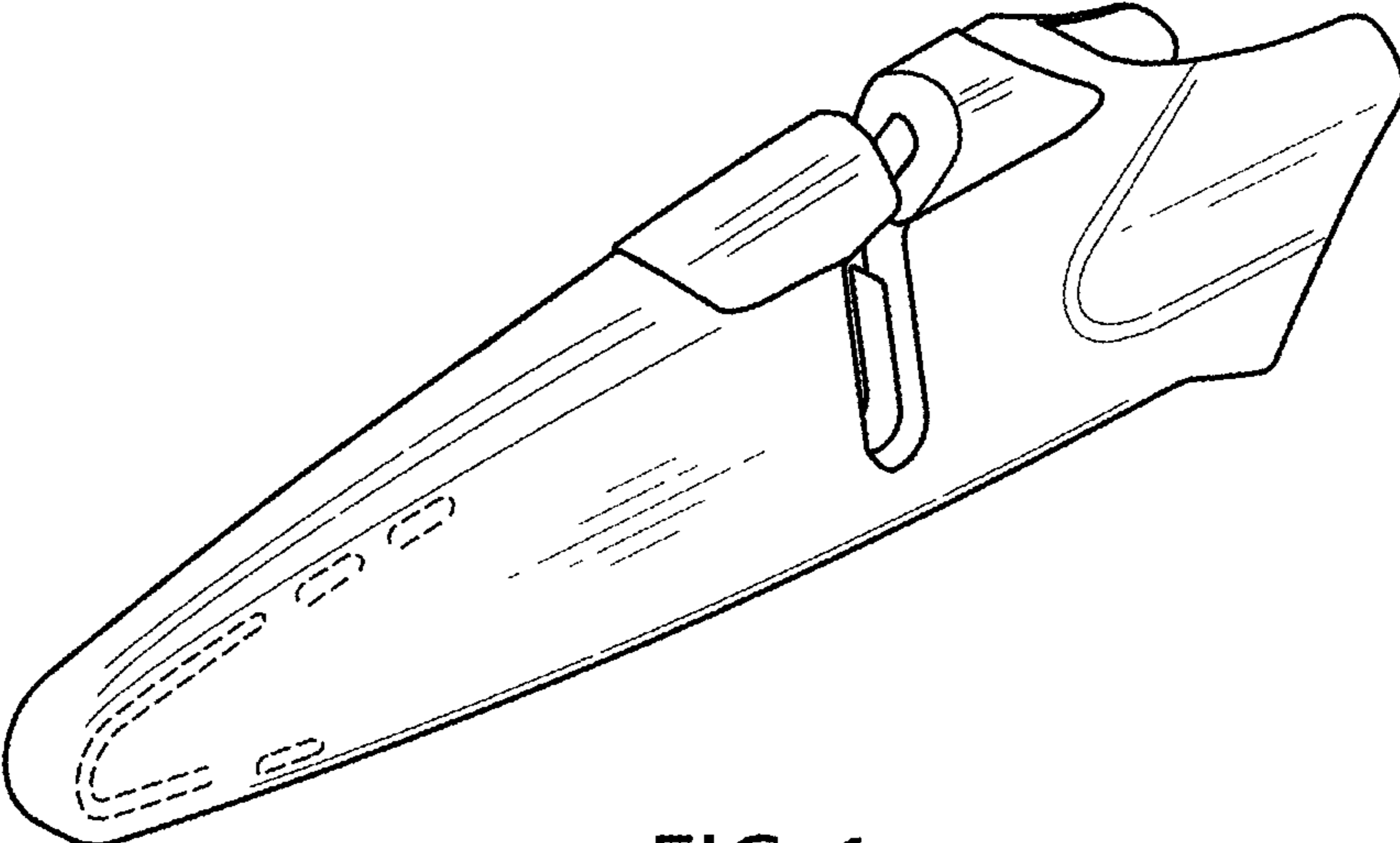


FIG. 1

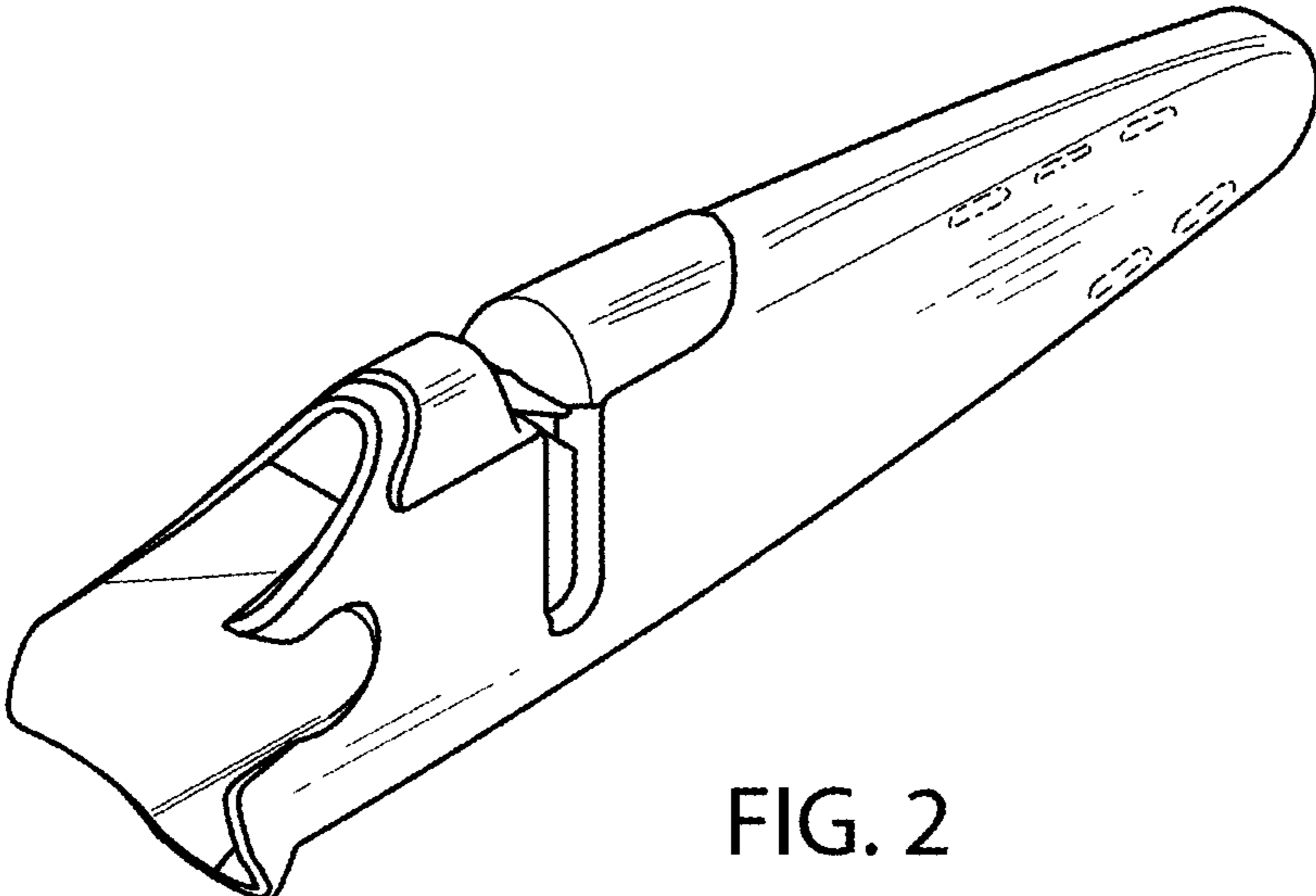


FIG. 2

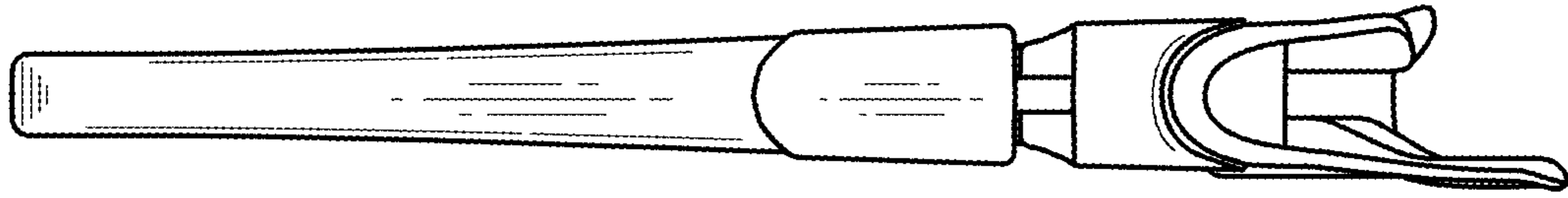


FIG. 3

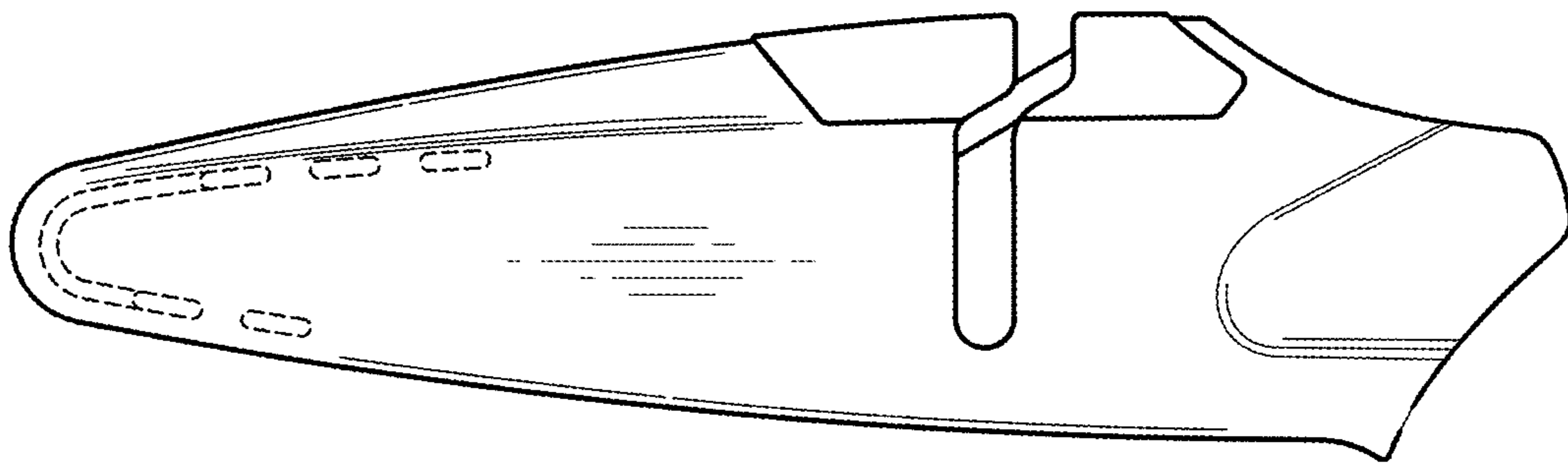


FIG. 4

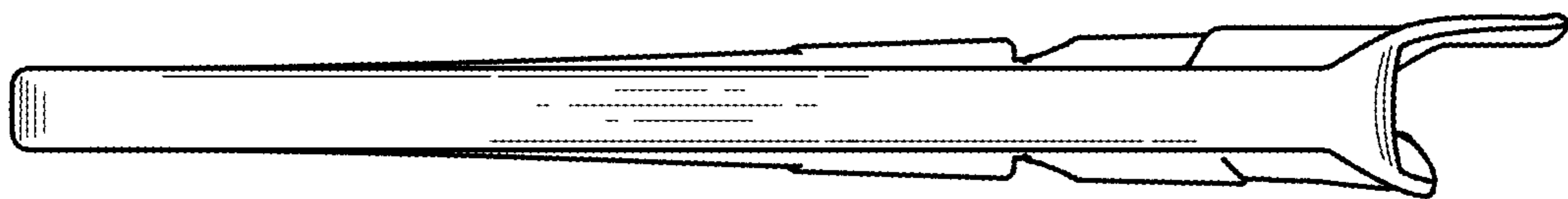


FIG. 5

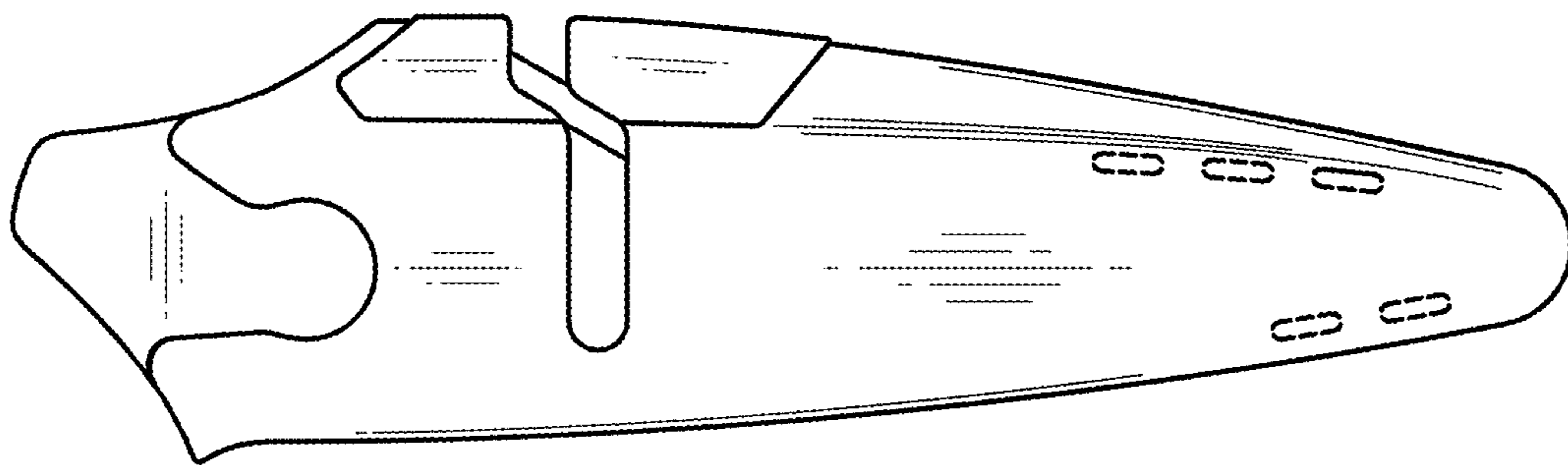


FIG. 6

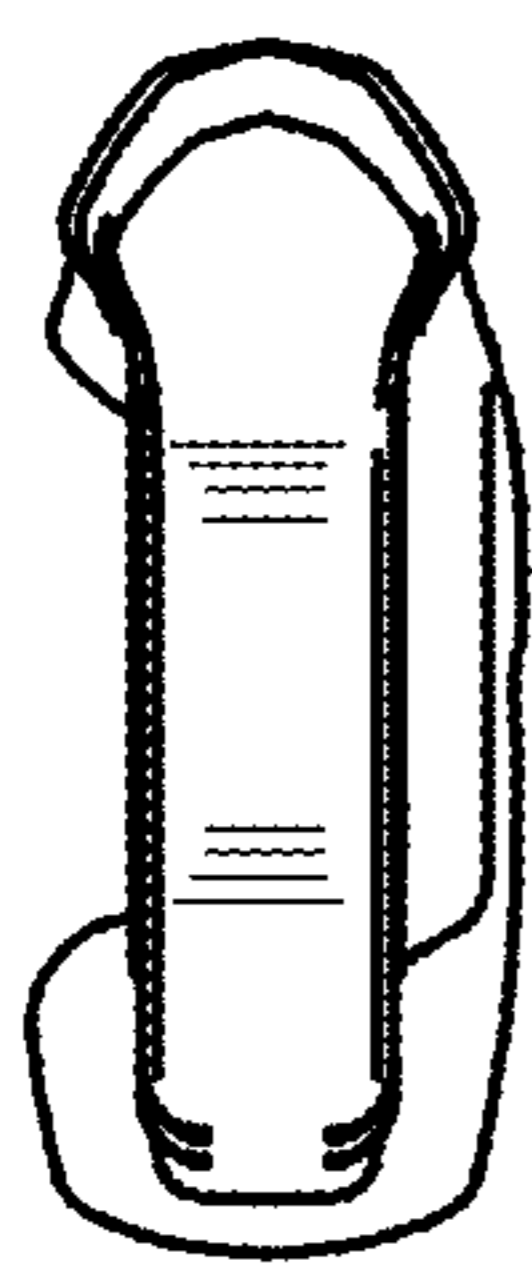


FIG. 7

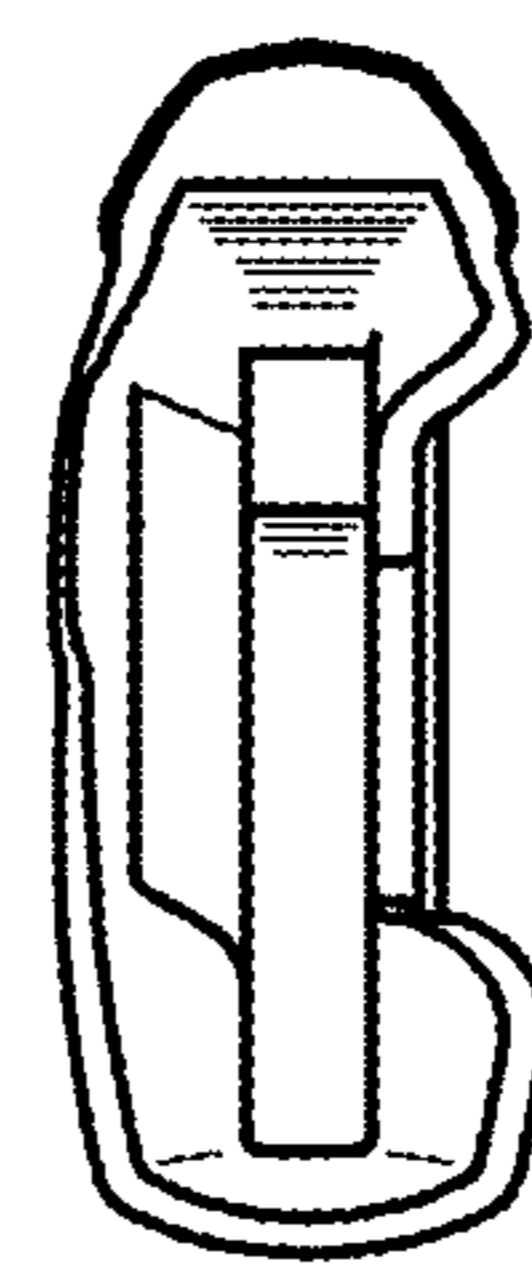


FIG. 8