



US00D802294S

(12) **United States Design Patent** (10) **Patent No.:** **US D802,294 S**  
**Sola et al.** (45) **Date of Patent:** **\*\* Nov. 14, 2017**

(54) **HYDRATION SLEEVE**

FOREIGN PATENT DOCUMENTS

(71) Applicant: **DGM Creations LLC**, West Palm Beach, FL (US)

EP 2034866 3/2009  
GB 2439043 9/2006

(Continued)

(72) Inventors: **Kyle Sola**, Brooklyn, NY (US); **Marcel Geser**, Zurich (CH); **Franziska Rieder**, Zurich (CH)

OTHER PUBLICATIONS

(73) Assignee: **DGM Creations LLC**, West Palm Beach, FL (US)

International Search Report dated Apr. 14, 2017 in International Patent Application No. PCT/US2017/013530.

(Continued)

(\*\*) Term: **15 Years**

*Primary Examiner* — Marianne Pandozzi

(21) Appl. No.: **29/575,806**

(74) *Attorney, Agent, or Firm* — Venable LLP; Steven J. Schwarz

(22) Filed: **Aug. 29, 2016**

(51) **LOC (10) Cl.** ..... **03-01**

(57) **CLAIM**

(52) **U.S. Cl.**

USPC ..... **D3/202**; D3/215; D7/515

The ornamental design for hydration sleeve, as shown and described.

(58) **Field of Classification Search**

USPC ..... D7/507, 510, 509, 300.1, 300, 397, 514, D7/515; D3/202, 215; 222/175; 224/148.6, 148.2, 148.3

CPC ..... A45F 3/20; A45F 2005/008; A45F 5/00; A45F 3/16

See application file for complete search history.

**DESCRIPTION**

FIG. 1 is a perspective view of a hydration sleeve showing our new design;

FIG. 2 is a front view of a hydration sleeve shown in FIG. 1;

FIG. 3 is a rear view of the hydration sleeve shown in FIG. 1;

FIG. 4 is a right side view of the hydration sleeve shown in FIG. 1;

FIG. 5 is a left side view of the hydration sleeve shown in FIG. 1;

FIG. 6 is a top plan view of the hydration sleeve shown in FIG. 1; and,

FIG. 7 is a bottom plan view of the hydration sleeve shown in FIG. 1.

The broken lines in the drawing depict environmental subject matter only and form no part of the claimed design.

(56) **References Cited**

U.S. PATENT DOCUMENTS

4,736,876 A \* 4/1988 Kriss ..... A45C 1/04 222/175

4,974,762 A 12/1990 Boretsky et al.

4,988,097 A \* 1/1991 Smith ..... A45C 1/04 224/148.2

5,060,833 A 10/1991 Edison et al.

D323,430 S \* 1/1992 Niederkorn ..... 224/221

5,085,349 A 2/1992 Fawcett

D327,422 S \* 6/1992 Laing ..... D9/668

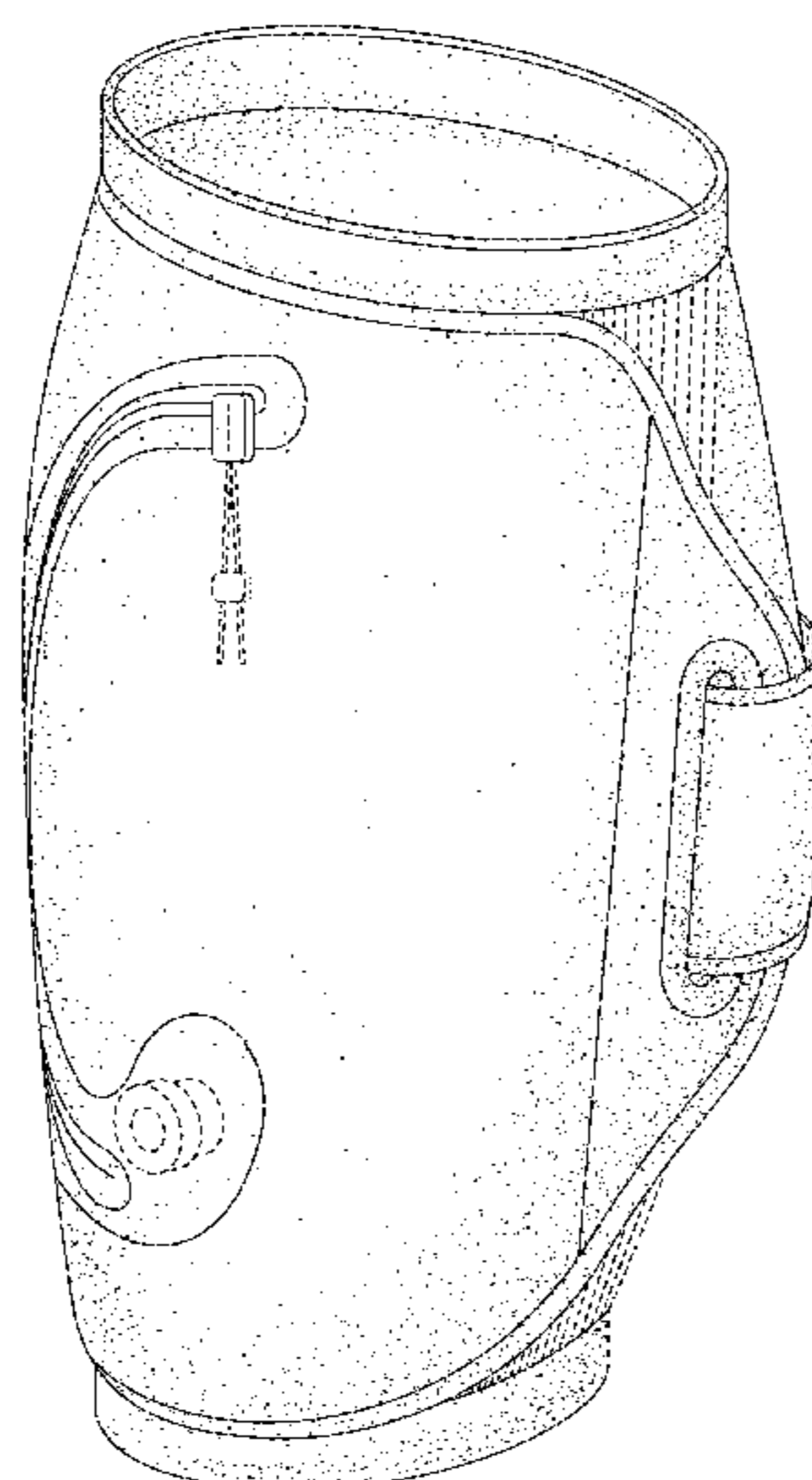
D356,233 S \* 3/1995 Meier ..... D7/515

D360,805 S \* 8/1995 Friedman ..... D7/302

D364,536 S \* 11/1995 Law ..... D7/515

(Continued)

**1 Claim, 7 Drawing Sheets**



(56)

References Cited

U.S. PATENT DOCUMENTS

5,566,869 A 10/1996 Katz  
 5,607,090 A 3/1997 Brown  
 5,727,714 A 3/1998 Fawcett  
 5,794,268 A 8/1998 Pessey  
 D398,776 S 9/1998 Fawcett  
 5,803,333 A 9/1998 Fawcett  
 D411,915 S 7/1999 George  
 5,938,089 A 8/1999 Abreu-Marston  
 6,032,831 A 3/2000 Gardner et al.  
 6,070,767 A 6/2000 Gardner et al.  
 D435,964 S 1/2001 Lentz  
 6,182,872 B1 2/2001 Six  
 6,253,379 B1 7/2001 Collier  
 6,364,168 B1 4/2002 Gardner et al.  
 6,497,348 B2 12/2002 Forsman et al.  
 6,626,342 B1 9/2003 Gleason  
 D482,517 S 11/2003 Sayers et al.  
 6,675,998 B2 1/2004 Forsman et al.  
 D490,235 S 5/2004 Nykoluk  
 6,764,064 B2 7/2004 Sturm et al.  
 6,820,780 B2 11/2004 Forsman et al.  
 6,892,915 B2 5/2005 Mares  
 6,908,015 B2 6/2005 Choi et al.  
 6,990,860 B1 1/2006 Gillanders  
 7,063,243 B2 6/2006 Forsman et al.  
 7,070,075 B2 7/2006 Forsman et al.  
 7,073,688 B2 7/2006 Choi et al.  
 D540,030 S \* 4/2007 Schnackenberg ..... D3/202  
 7,201,299 B2 4/2007 Forsman  
 D547,545 S 7/2007 Boehm et al.  
 D560,351 S 1/2008 Boehm et al.  
 D570,594 S 6/2008 Litvak et al.  
 D577,483 S \* 9/2008 Tagliati ..... D3/202  
 7,478,768 B2 \* 1/2009 Yip ..... A61H 37/00  
 15/227  
 D598,643 S 8/2009 Lown et al.  
 D611,707 S 3/2010 Hock  
 7,673,777 B2 3/2010 Gleason, Jr.  
 D622,956 S 9/2010 Hoffman  
 D637,392 S \* 5/2011 Marshall ..... D3/215  
 8,043,005 B2 10/2011 Lyon et al.  
 D648,934 S 11/2011 Ferreiro  
 D655,496 S \* 3/2012 Lamey ..... D3/215  
 8,167,177 B1 5/2012 Galgano  
 8,177,097 B2 5/2012 Duran  
 8,186,881 B2 5/2012 Lyon et al.  
 8,341,769 B2 1/2013 Fayle et al.  
 8,348,114 B2 1/2013 Gleason, Jr.  
 8,381,956 B2 2/2013 Gleason, Jr.  
 8,387,831 B2 \* 3/2013 McInerney ..... A45F 3/16  
 222/175  
 D680,321 S 4/2013 Jones  
 D681,326 S 5/2013 Willows et al.  
 D687,222 S 8/2013 Willows et al.  
 D690,501 S 10/2013 Yetts  
 D691,790 S 10/2013 Denzinger  
 8,561,866 B2 10/2013 Gleason, Jr.  
 8,579,171 B2 11/2013 Gleason, Jr.  
 8,622,262 B2 \* 1/2014 Van Art ..... A45F 3/20  
 224/148.2  
 D698,539 S 2/2014 Dhillon  
 D701,001 S \* 3/2014 Daniel ..... D29/120.1

D708,837 S 7/2014 Lee  
 D713,638 S \* 9/2014 Whitlock ..... D3/202  
 8,905,230 B2 \* 12/2014 Smith ..... A63B 55/008  
 206/315.3  
 8,950,644 B2 2/2015 Gleason, Jr.  
 9,113,699 B2 8/2015 Radosta  
 9,238,539 B2 1/2016 Lynch  
 D763,040 S \* 8/2016 Punjabi ..... D3/255  
 D778,730 S 2/2017 Sahatjian  
 D782,813 S \* 4/2017 Butler ..... D3/202  
 9,615,649 B2 \* 4/2017 Melling ..... A45F 3/16  
 D785,318 S \* 5/2017 Holmes ..... D3/215  
 D787,175 S 5/2017 Winters Giesting et al.  
 2002/0056455 A1 5/2002 Vigny et al.  
 2002/0074369 A1 6/2002 Forsman et al.  
 2002/0124294 A1 9/2002 McKenzie et al.  
 2002/0134387 A1 9/2002 Saurat et al.  
 2004/0000570 A1 1/2004 Forsman  
 2004/0089301 A1 5/2004 Choi et al.  
 2005/0035130 A1 2/2005 Forsman et al.  
 2006/0151534 A1 7/2006 Mares  
 2006/0231561 A1 10/2006 Choi et al.  
 2007/0170216 A1 \* 7/2007 Davis ..... A41B 11/006  
 224/222  
 2007/0280565 A1 12/2007 Lyon et al.  
 2009/0293171 A1 12/2009 Fayle et al.  
 2010/0001022 A1 \* 1/2010 McInerney ..... A45F 3/16  
 222/175  
 2010/0019006 A1 \* 1/2010 Van Art ..... A45F 3/20  
 224/148.2  
 2010/0059559 A1 \* 3/2010 Given ..... A45F 5/00  
 224/222  
 2012/0048898 A1 \* 3/2012 Franklin ..... A45F 3/20  
 224/148.2  
 2012/0152986 A1 \* 6/2012 Van Art ..... A45F 3/20  
 224/148.2  
 2013/0026248 A1 \* 1/2013 Paulsen ..... A45F 5/00  
 239/1  
 2013/0056372 A1 3/2013 Lynch  
 2014/0117058 A1 5/2014 Burtman  
 2014/0374413 A1 12/2014 Lyon et al.  
 2014/0376833 A1 12/2014 Lyon et al.  
 2015/0053718 A1 2/2015 Lyon et al.  
 2015/0083762 A1 3/2015 Radosta  
 2015/0102058 A1 4/2015 Lyon et al.  
 2015/0182008 A1 7/2015 Kattouf, II

FOREIGN PATENT DOCUMENTS

WO 2007/144672 A1 12/2007  
 WO WO/2015/176124 11/2015

OTHER PUBLICATIONS

Written Opinion dated Apr. 14, 2017 in International Patent Application No. PCT/US2017/013530.  
 Unpublished Design U.S. Appl. No. 29/568,199, filed Jun. 16, 2016.  
 Unpublished U.S. Appl. No. 15/638,066, filed Jun. 29, 2017.  
 Notice of Allowance dated Jul. 7, 2017 in Design U.S. Appl. No. 29/551,402.  
 Notice of Allowance dated Jul. 18, 2017 in Design U.S. Appl. No. 29/575,803.

\* cited by examiner

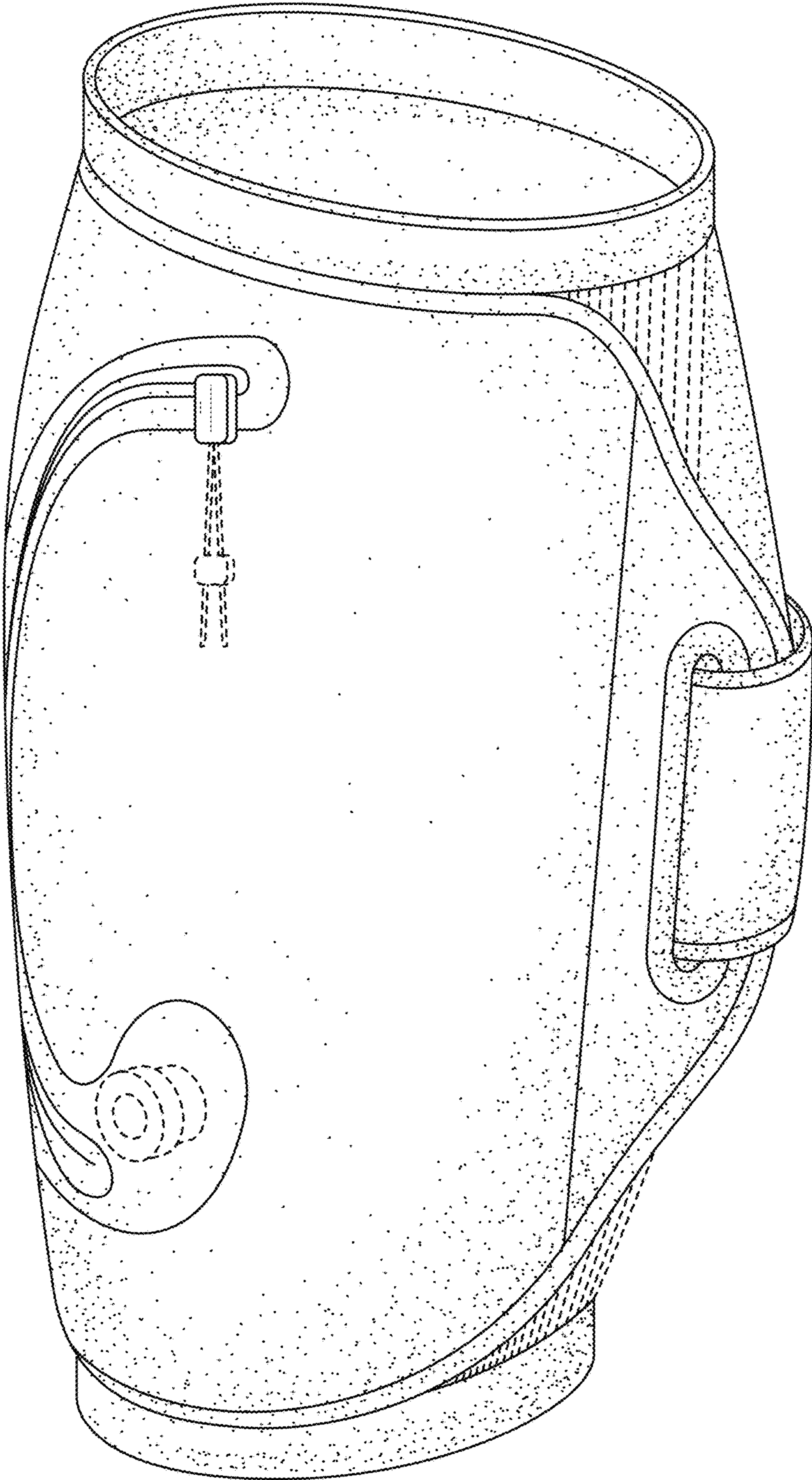


FIG. 1

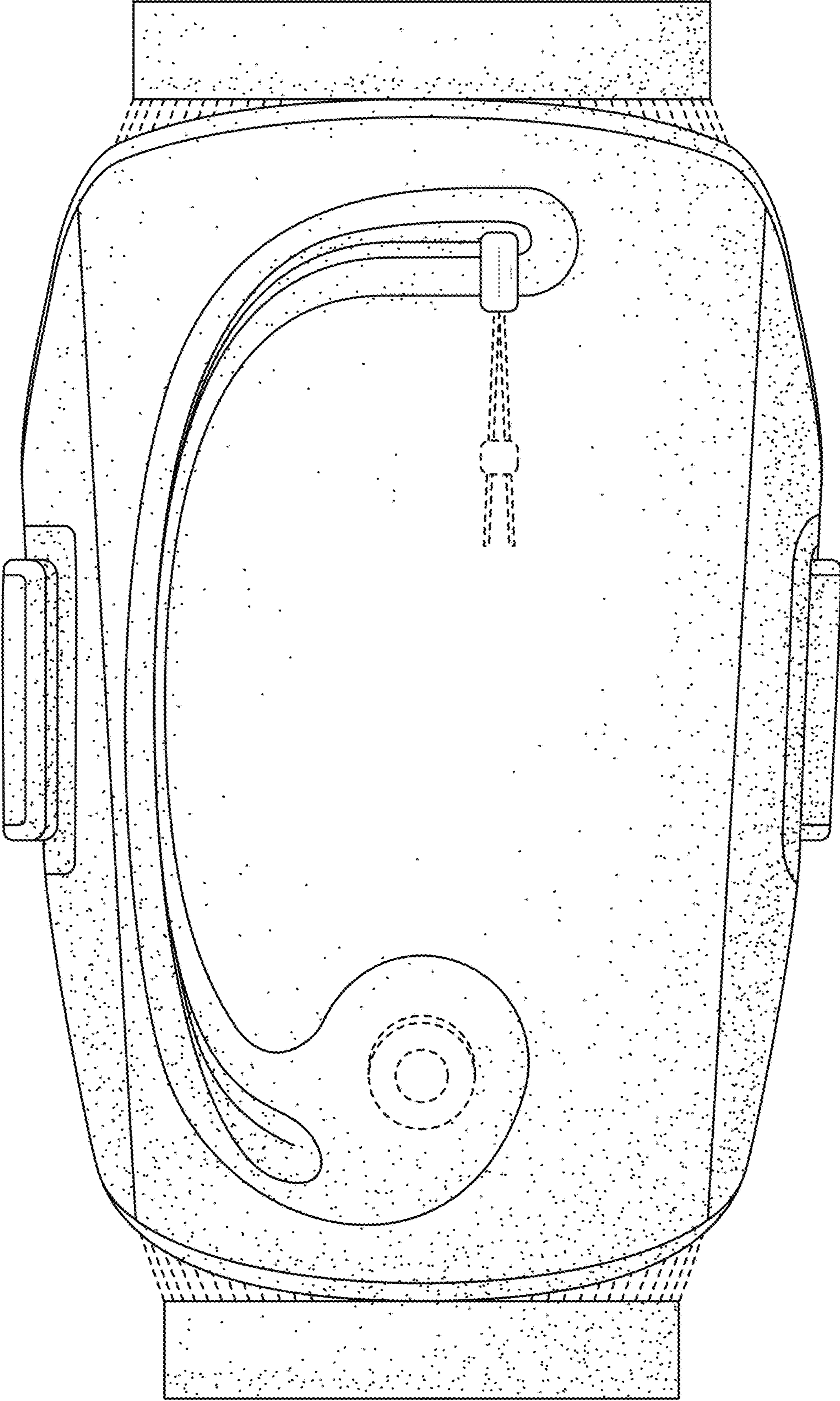


FIG. 2

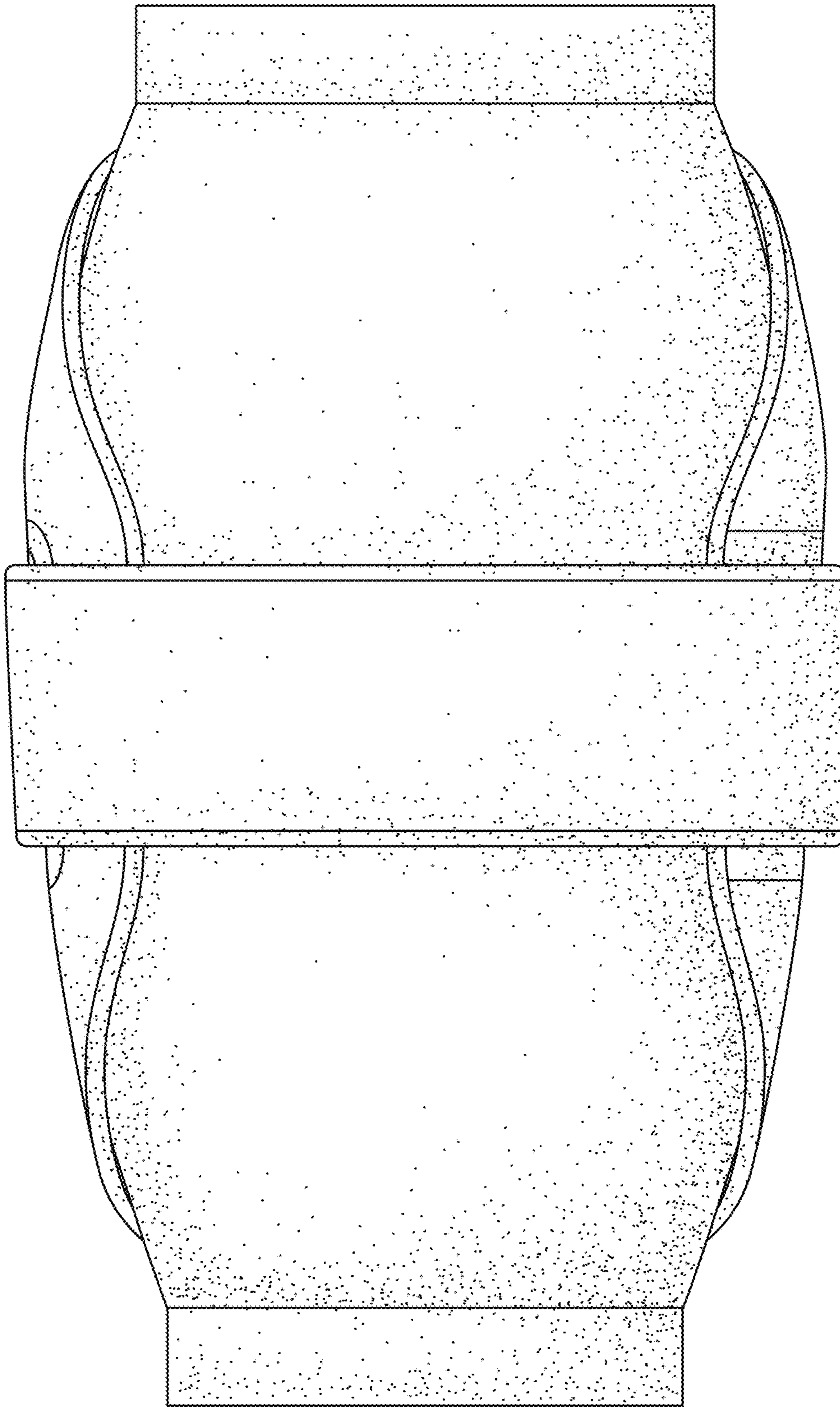


FIG. 3

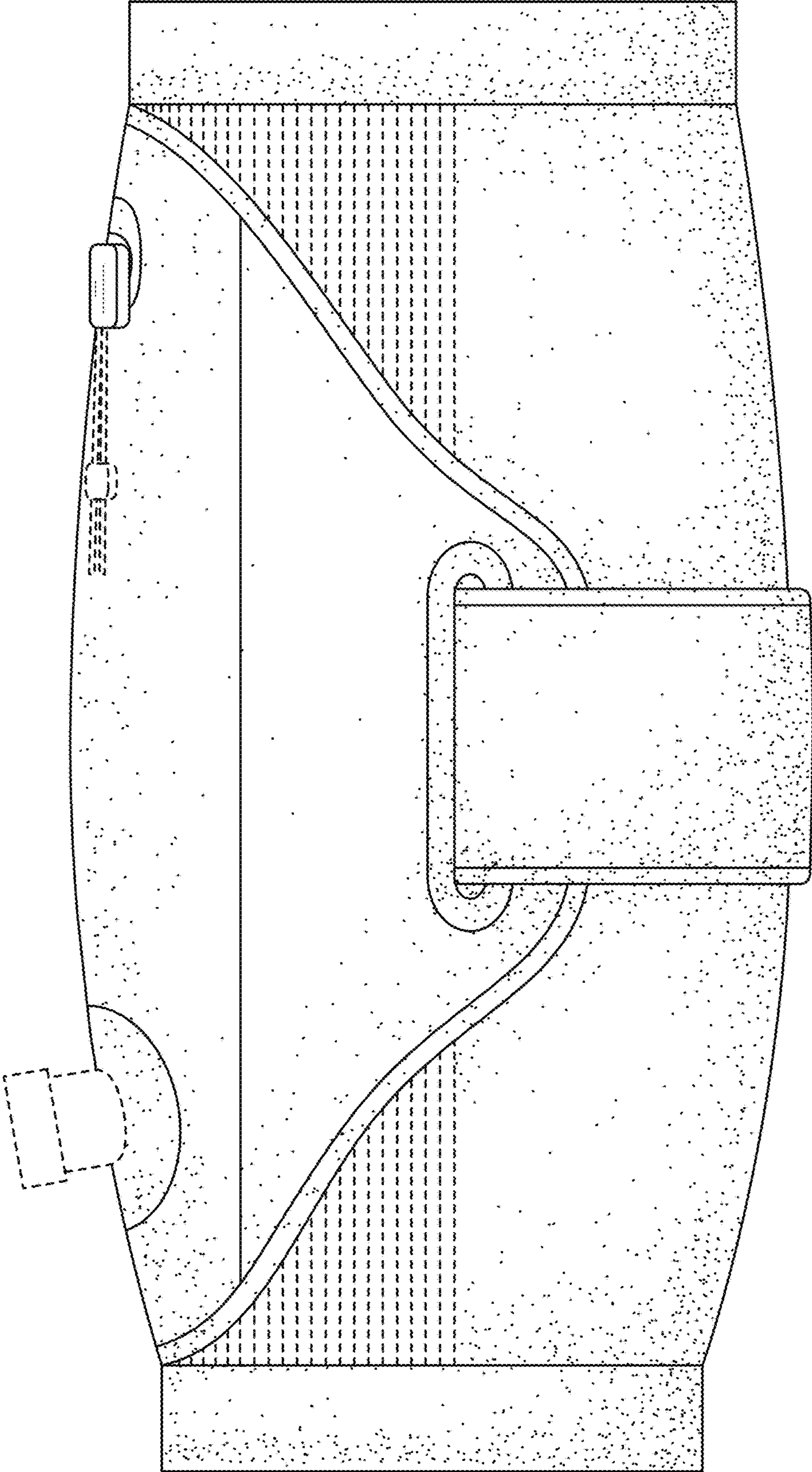


FIG. 4

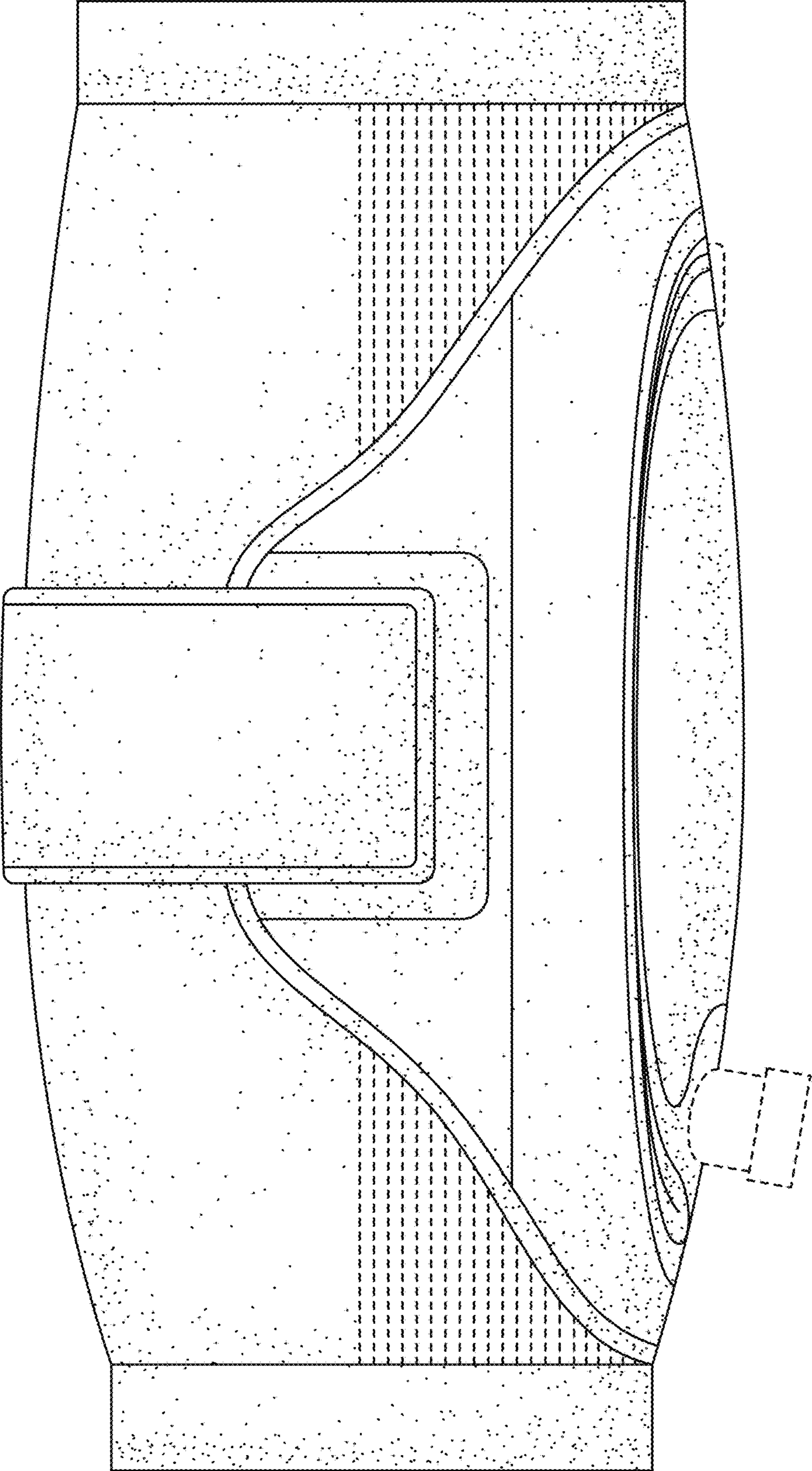


FIG. 5

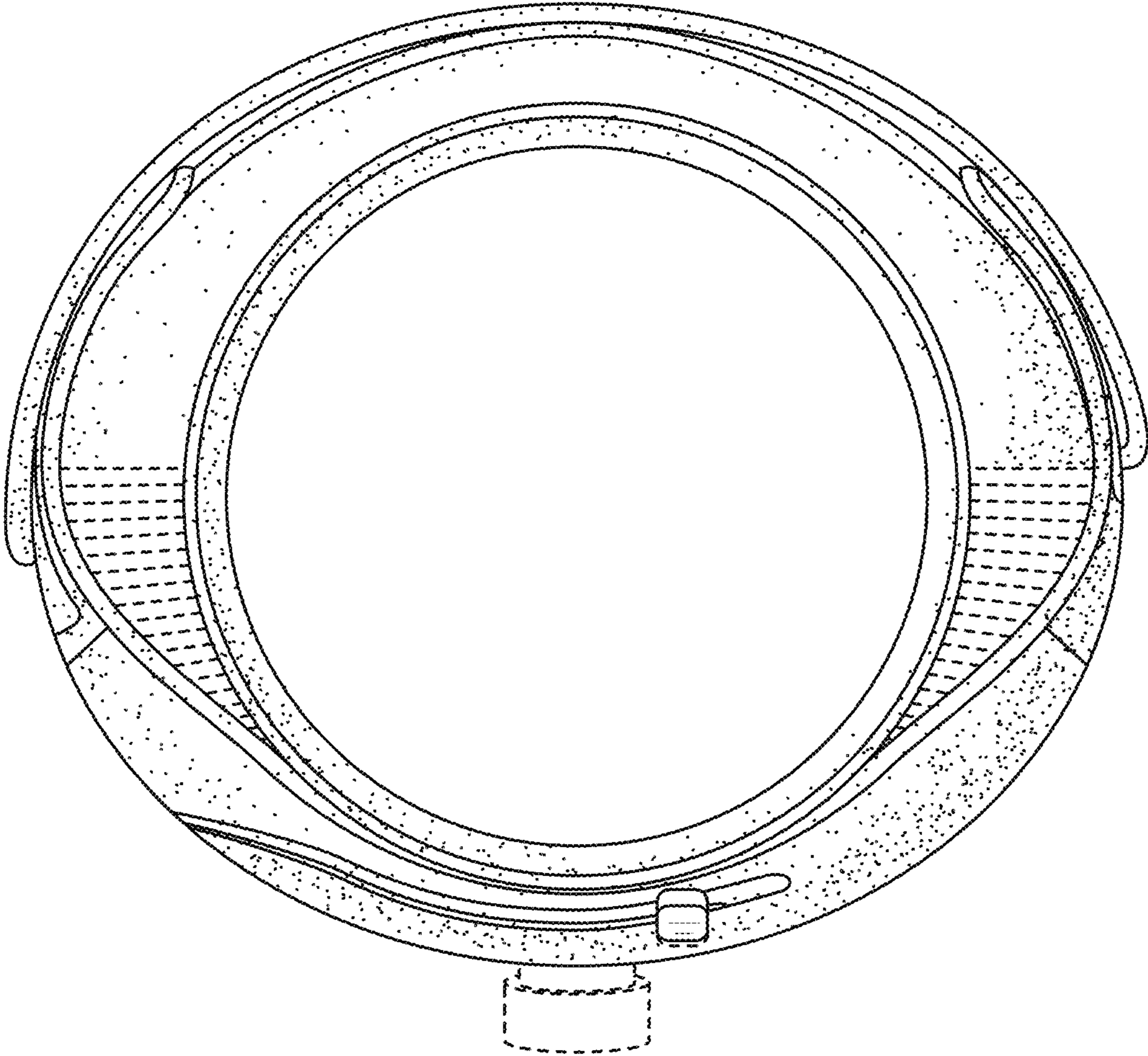


FIG. 6



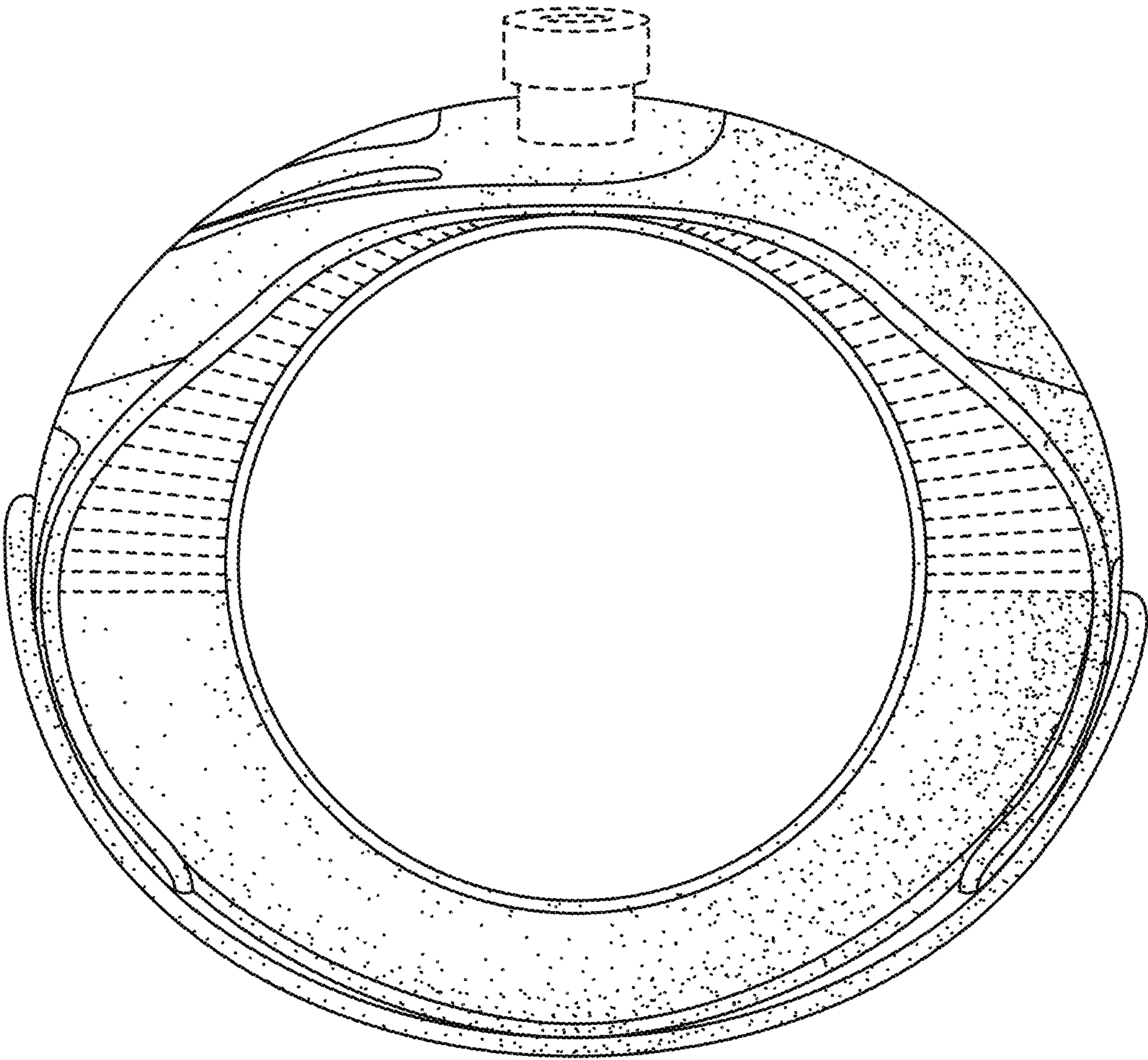


FIG. 7