



US00D802288S

(12) **United States Design Patent**  
**Winfield**

(10) **Patent No.:** **US D802,288 S**

(45) **Date of Patent:** **\*\* Nov. 14, 2017**

(54) **SHOE UPPER**

(71) Applicant: **NIKE, Inc.**, Beaverton, OR (US)

(72) Inventor: **Andrew Winfield**, Beaverton, OR (US)

(73) Assignee: **NIKE, Inc.**, Beaverton, OR (US)

(\*\*) Term: **15 Years**

(21) Appl. No.: **29/584,322**

(22) Filed: **Nov. 14, 2016**

(51) **LOC (10) Cl.** ..... **02-04**

(52) **U.S. Cl.**  
USPC ..... **D2/972**

(58) **Field of Classification Search**  
USPC ..... D2/902, 906-912, 943-947, 964,  
D2/968-969, 970, 972-974, 977, 980,  
D2/983, 901; D24/192  
CPC ... A43B 3/0047; A43B 3/0052; A43B 3/0057;  
A43B 3/0063; A43B 3/0068; A43B  
3/0073; A43B 1/04; A43B 1/06; A43B  
5/00; A43B 5/02; A43B 5/06; A43B 5/10;  
A43B 5/14; A43B 23/0245; A43B  
13/125; A43B 13/186; A43C 3/00; A43C  
7/06

See application file for complete search history.

(56) **References Cited**

**U.S. PATENT DOCUMENTS**

D383,294 S *	9/1997	Lozano	.....	D2/972
D383,296 S *	9/1997	Rask	.....	D2/972
D384,800 S *	10/1997	Rask	.....	D2/972
D432,776 S	10/2000	McDowell		
D434,213 S *	11/2000	Smith	.....	D2/972
D440,753 S *	4/2001	Morris	.....	D2/972
D441,948 S *	5/2001	Link	.....	D2/972
D451,271 S	12/2001	Gerber		
D475,518 S *	6/2003	Lotti	.....	D2/972
D476,473 S *	7/2003	Clegg	.....	D2/972
D485,430 S *	1/2004	McDowell	.....	D2/972
D498,912 S *	11/2004	Kuerbis	.....	D2/972

D516,798 S *	3/2006	Blakeslee	.....	D2/972
D524,532 S *	7/2006	Roulo	.....	D2/972
D528,279 S *	9/2006	Smith, III	.....	D2/972
D546,539 S	7/2007	Paz		
D626,728 S *	11/2010	Tzenos	.....	D2/896
D672,135 S	12/2012	Williams, Jr.		
D688,860 S	9/2013	Hrsak		
D693,106 S	11/2013	James		
9,078,488 B1 *	7/2015	Meir	.....	A43B 1/04

(Continued)

**OTHER PUBLICATIONS**

“Jordan Brand Introduces a New Lifestyle Shoe Cladded the Flight Luxe,” Nike Jordan Flight Luxe pictured therein, as posted at SneakerNews.com [online], posted on Jun. 12, 2017 [site visited Sep. 21, 2017]. Available on the Internet, <URL: <https://sneakernews.com/2017/06/12/jordan-flight-luxe-black-white-919715-010/>>.\*

(Continued)

*Primary Examiner* — Jeffrey D Asch  
*Assistant Examiner* — Rebekah A Caruso  
(74) *Attorney, Agent, or Firm* — Banner & Witcoff, Ltd.

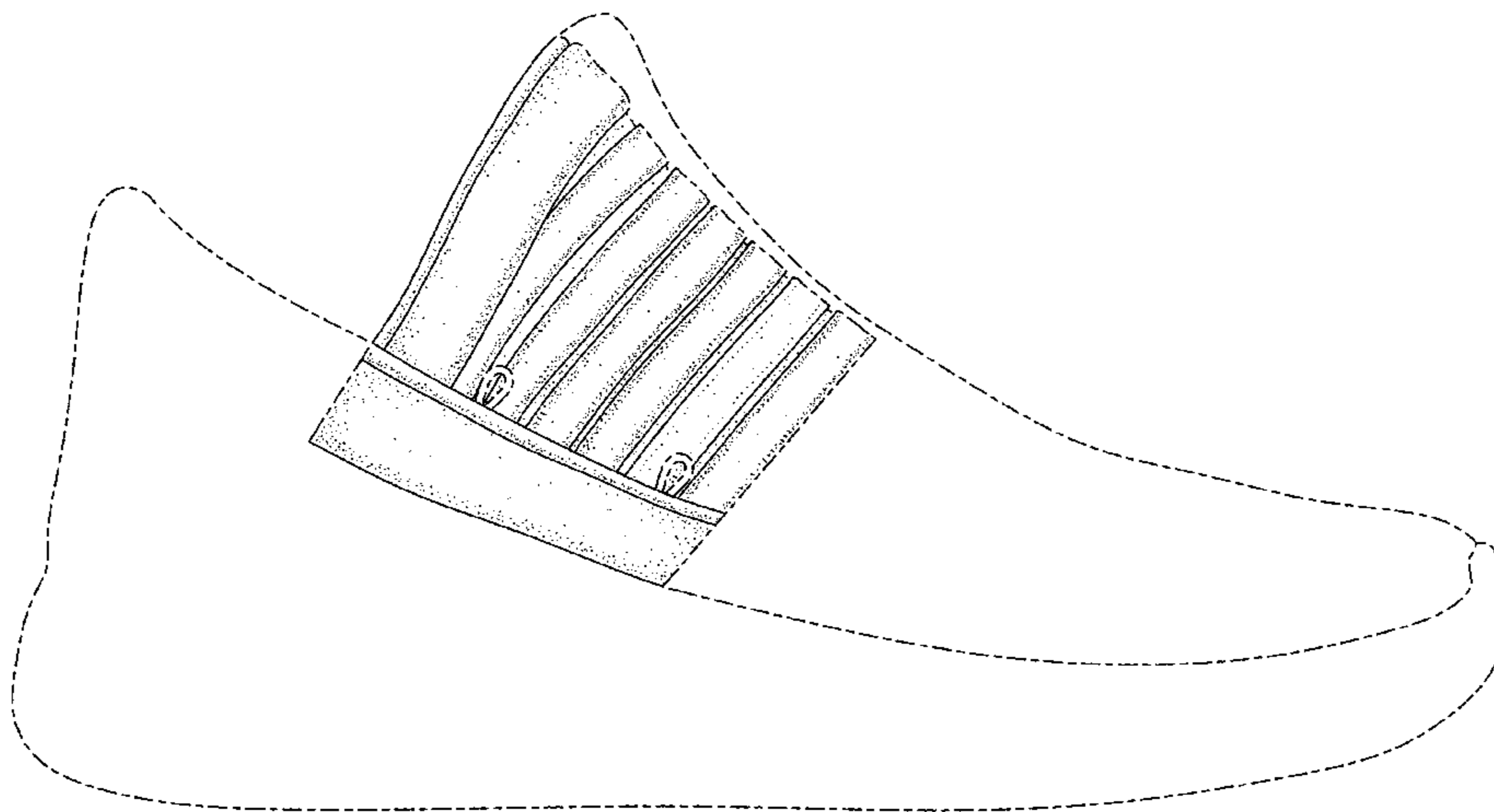
(57) **CLAIM**

The ornamental design for a shoe upper, as shown and described.

**DESCRIPTION**

FIG. 1 is a front perspective view of a shoe upper showing my new design;  
FIG. 2 is a side view thereof; and,  
FIG. 3 is a rear perspective view thereof.  
The broken lines immediately adjacent to the shaded area define the bounds of the claimed design and form no part thereof. The unshaded regions within the shaded area that are demarcated by broken lines form no part of the claimed design. The broken lines showing the remainder of the shoe are for environmental purposes only and form no part of the claimed design.

**1 Claim, 3 Drawing Sheets**



(56)

**References Cited**

U.S. PATENT DOCUMENTS

D747,090 S	1/2016	Raasch	
D757,418 S *	5/2016	Portzline .....	D2/972
D767,865 S *	10/2016	Chang .....	D2/972
D779,187 S *	2/2017	Williams, Jr. ....	D2/972
D783,257 S *	4/2017	Small .....	D2/972
D785,921 S *	5/2017	Pauk .....	D2/972
D790,195 S *	6/2017	O'Connor .....	D2/972
D790,196 S *	6/2017	O'Connor .....	D2/972
D796,180 S *	9/2017	O'Connor .....	D2/972
D796,182 S *	9/2017	Salzano .....	D2/972

OTHER PUBLICATIONS

Run to Fly: The Jordan Flight Runner [online], [retrieved Mar. 7, 2017], Retrieved from Internet <URL: <http://news.nike.com/news/run-to-fly>>; 9 color sheets, Dated Mar. 18, 2014.

Jordan Brand Introduces the Jordan Flight Flex Trainer [online], [retrieved Mar. 7, 2017], Retrieved from Internet <URL: <http://news.nike.com/news/jordan-brand-introduces-the-jordan-flight-flex-trainer>>; 6 color sheets, Dated Jul. 1, 2014.

Jordan Brand Steps Onto the Green With Jordan Flight Runner Golf Shoe [online], [retrieved Mar. 7, 2017], Retrieved from Internet <URL: <http://news.nike.com/news/jordan-brand-steps-onto-the-green-with-jordan-light-runner-golf-shoe>>; 5 color sheets, Dated Jun. 1, 2015.

Jordan Flight Time 14.5 JB's Latest Hoops Model [online], [retrieved Mar. 7, 2017], Retrieved from Internet <URL: <http://www.nikeblog.com/2014/06/17/jordan-flight-time-14-5-jbs-latest-hoops-model/>>; 9 color sheets, Published Date unknown but at least as early as Nov. 14, 2016.

Jordan Flight Flex Trainer Jeter Release Date, Photos [online], [retrieved Mar. 7, 2017], Retrieved from Internet <URL: <http://www.nikeblog.com/2014/09/15/jordan-flight-flex-trainer-jeter-release-date-photos/>>; 6 color sheets, Published Date unknown but at least as early as Nov. 14, 2016.

\* cited by examiner

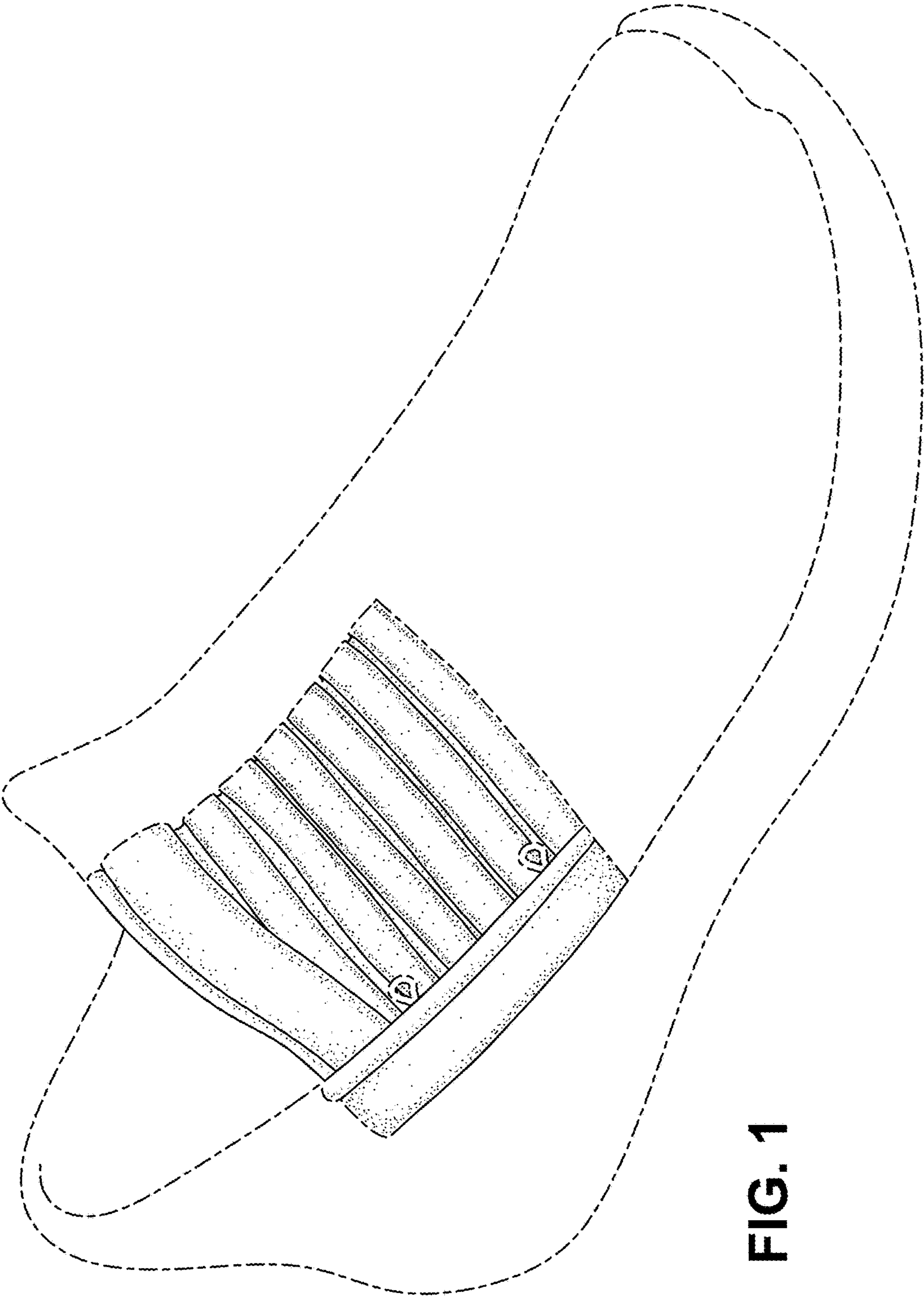


FIG. 1

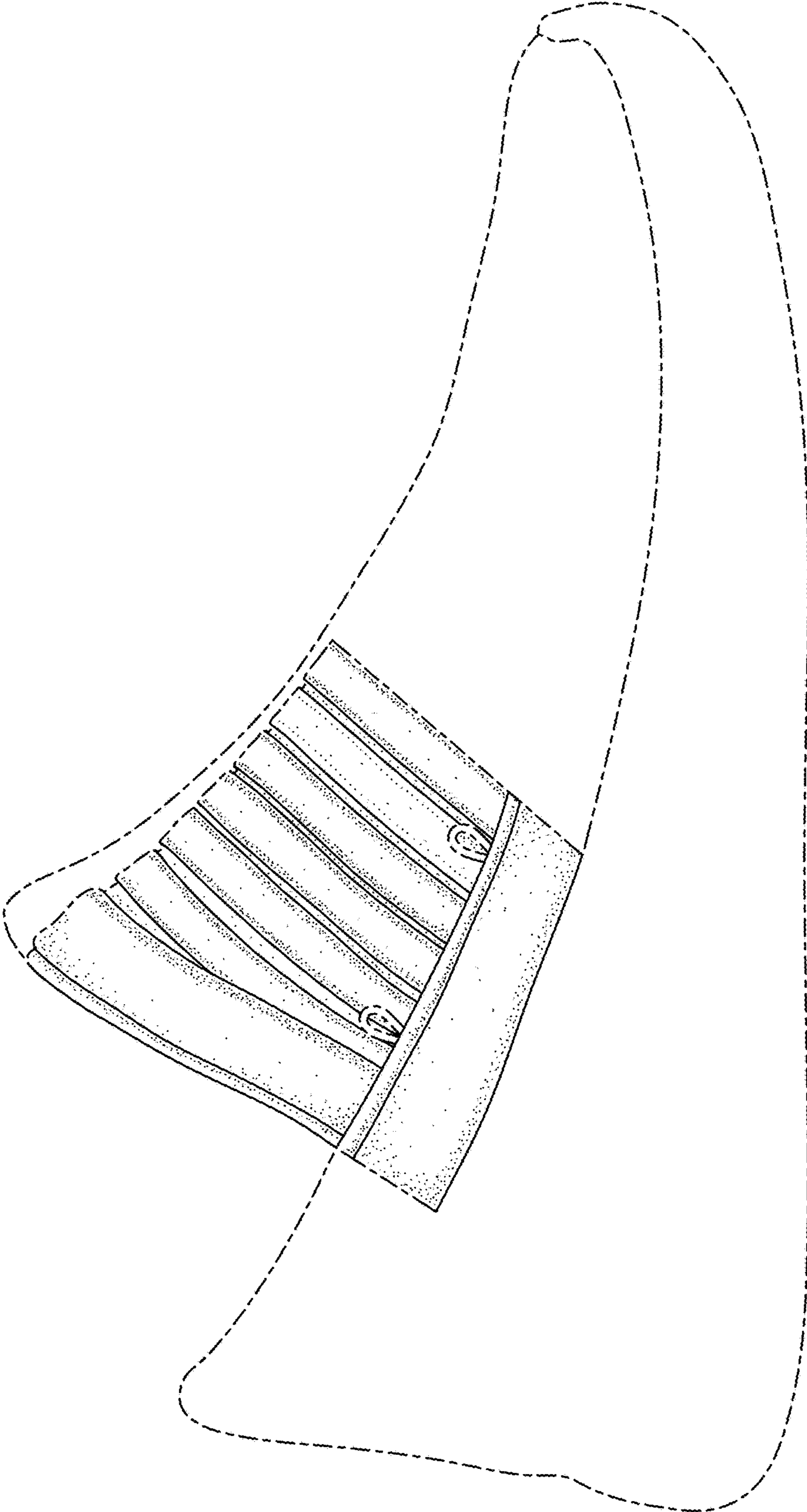


FIG. 2

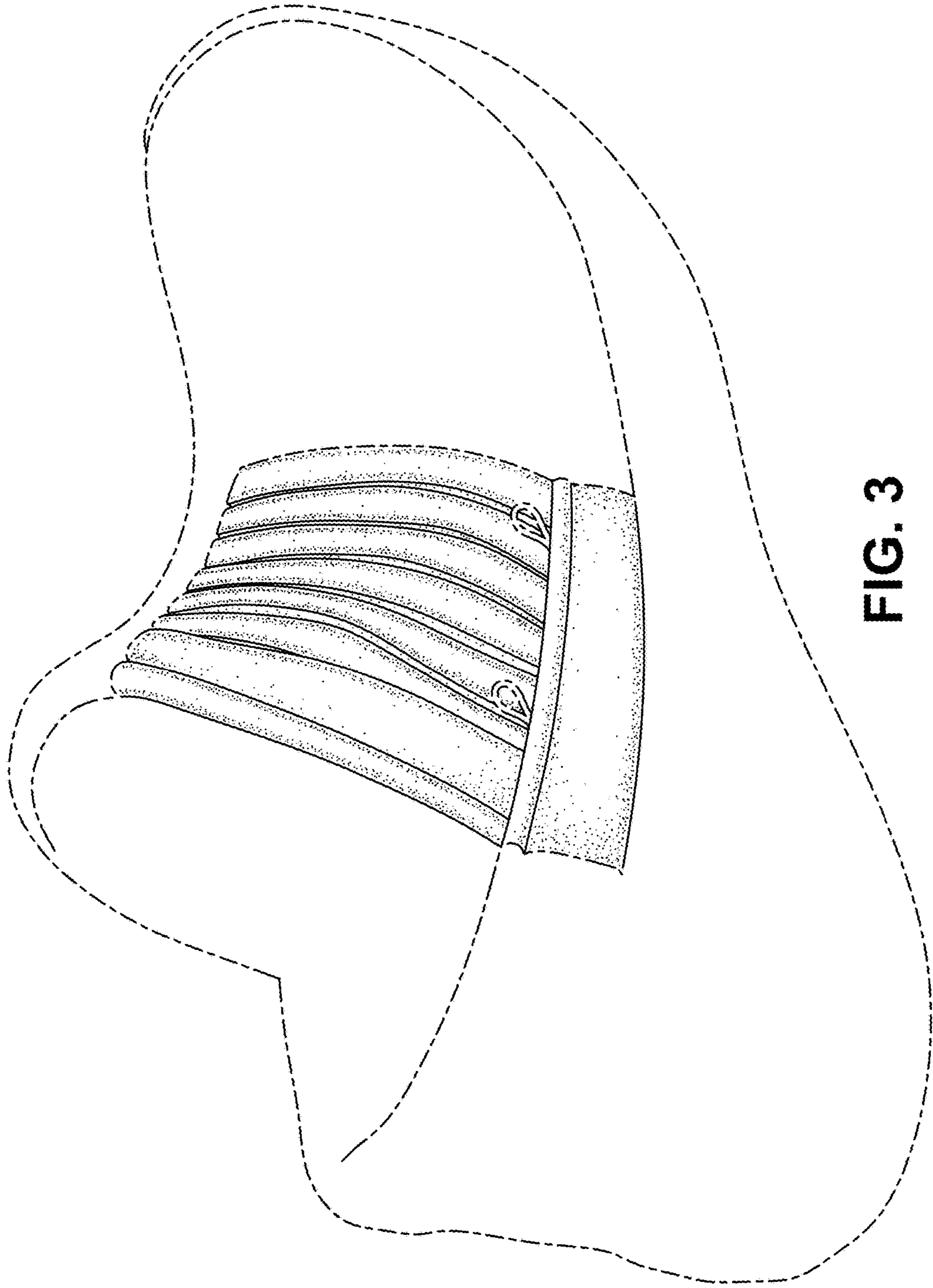


FIG. 3