



US00D802261S

(12) **United States Design Patent**
Stillwagon

(10) **Patent No.:** **US D802,261 S**

(45) **Date of Patent:** **** Nov. 14, 2017**

(54) **ZIPPER SHOE**

(71) Applicant: **Elizabeth Stillwagon**, Chula Vista, CA
(US)

(72) Inventor: **Elizabeth Stillwagon**, Chula Vista, CA
(US)

(**) Term: **15 Years**

(21) Appl. No.: **29/563,681**

(22) Filed: **May 6, 2016**

(51) **LOC (10) Cl.** **02-04**

(52) **U.S. Cl.**
USPC **D2/923; D2/952**

(58) **Field of Classification Search**
USPC D2/896, 898, 900, 903, 907, 919–923,
D2/942, 945, 951, 969
CPC A43B 3/00; A43B 3/24; A43C 11/12
See application file for complete search history.

(56) **References Cited**

U.S. PATENT DOCUMENTS

2,200,080	A *	5/1940	Fein	A43B 3/24
					36/101
2,261,125	A *	11/1941	McFeely	A43B 3/24
					36/101
2,302,596	A *	11/1942	Bigio	A43B 3/24
					36/101
3,925,915	A	12/1975	Colli		
4,333,248	A	6/1982	Samuels		
4,461,102	A	7/1984	DeVincentis		
D332,688	S	1/1993	Autry		
5,983,528	A	11/1999	Hartung		
5,992,058	A	11/1999	Jneid		
D446,921	S	8/2001	Duclos		
D447,329	S	9/2001	Duclos		
D449,434	S	10/2001	Erickson		
6,345,454	B1	2/2002	Cotton		
6,349,486	B1	2/2002	Lin		

6,928,754	B2	8/2005	Cambronero		
7,013,587	B2	3/2006	Yama		
7,117,615	B2	10/2006	Gerber		
7,272,899	B1	9/2007	Marak		
7,543,399	B2	6/2009	Kilgore		
7,669,352	B2	3/2010	Stefani		
D615,734	S *	5/2010	Di Nucci	D2/902
D635,746	S *	4/2011	Cofinco	D2/896
D665,562	S *	8/2012	Di Nucci	D2/902
D666,800	S *	9/2012	Edwards	D2/911

(Continued)

OTHER PUBLICATIONS

Shark Tank Preview One Sole Entrepreneur Dominique Barteet, published May 14, 2011 <http://kirktaylor.com/shark-tank-preview-one-sole-entrepreneur-dominique-barteet/>.

(Continued)

Primary Examiner — Holly Baynham
Assistant Examiner — Rashida C Walshon
(74) *Attorney, Agent, or Firm* — Gary L. Eastman, Esq.;
Eastman & McCartney LLP

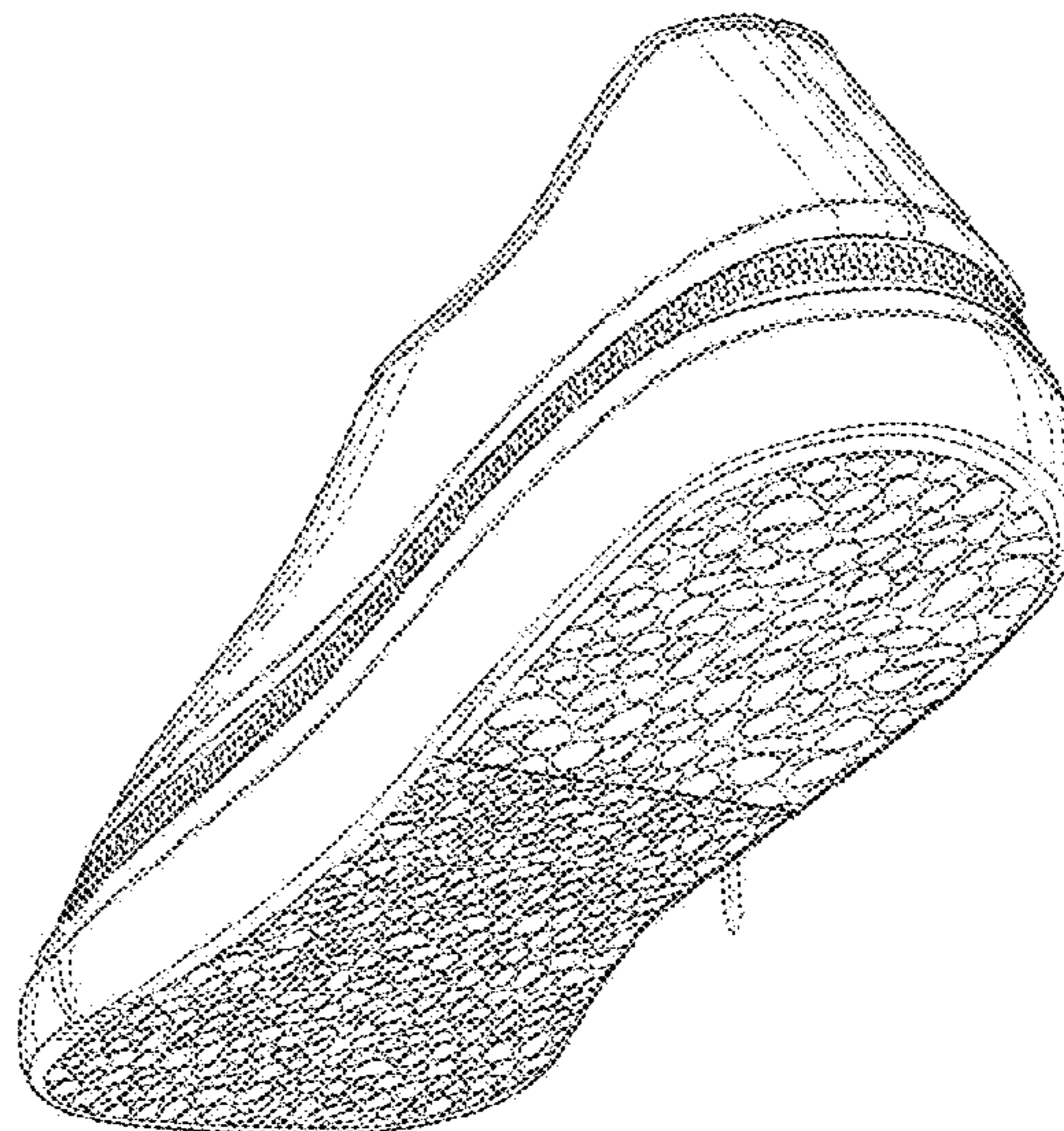
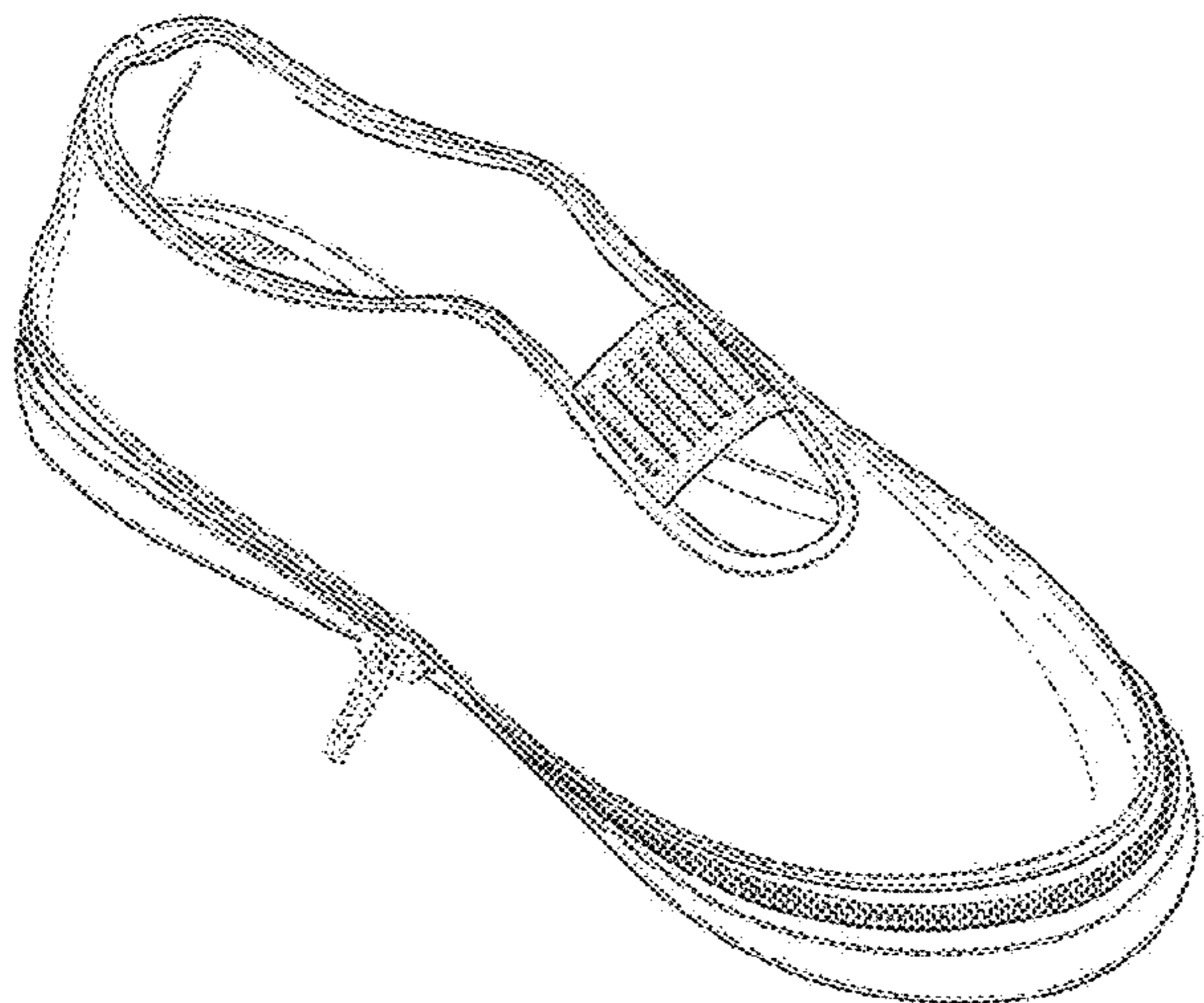
(57) **CLAIM**

The ornamental design for a zipper shoe, as shown and described.

DESCRIPTION

FIG. 1 is a front upper perspective view of the zipper shoe; FIG. 2 is a back lower perspective view of the zipper shoe; FIG. 3 is a right side view of the zipper shoe; FIG. 4 is a left side view of the zipper shoe; FIG. 5 is a top view of the zipper shoe; FIG. 6 is a bottom view of the zipper shoe; FIG. 7 is a front view of the zipper shoe; and, FIG. 8 is a back view of the zipper shoe. The broken lines in the drawings represent unclaimed subject matter and form no part of the claim.

1 Claim, 7 Drawing Sheets



(56)

References Cited

U.S. PATENT DOCUMENTS

8,356,426	B1	1/2013	Daniel	
D680,719	S	4/2013	Dardinski	
8,458,927	B2	6/2013	Santos	
8,732,881	B2	5/2014	Shu	
8,938,891	B2	1/2015	Kemp	
2002/0194750	A1	12/2002	Feick	
2003/0233772	A1	12/2003	Musial	
2004/0064976	A1	4/2004	Barteet	
2004/0093764	A1	5/2004	Cheng	
2007/0209238	A1	9/2007	Barteet	
2007/0266506	A1	11/2007	Barteet	
2008/0086914	A1*	4/2008	Curry	A43B 1/0081 36/101

OTHER PUBLICATIONS

OneSole woman on Shark Tank gets deal for comfortable shoes with changeable tops, published May 12, 2011 <http://www.paulanealmooney.com/onesole-woman-on-shark-tank-gets-deal-for-comfortable-shoes-with-changeable-tops/3291/>.

* cited by examiner

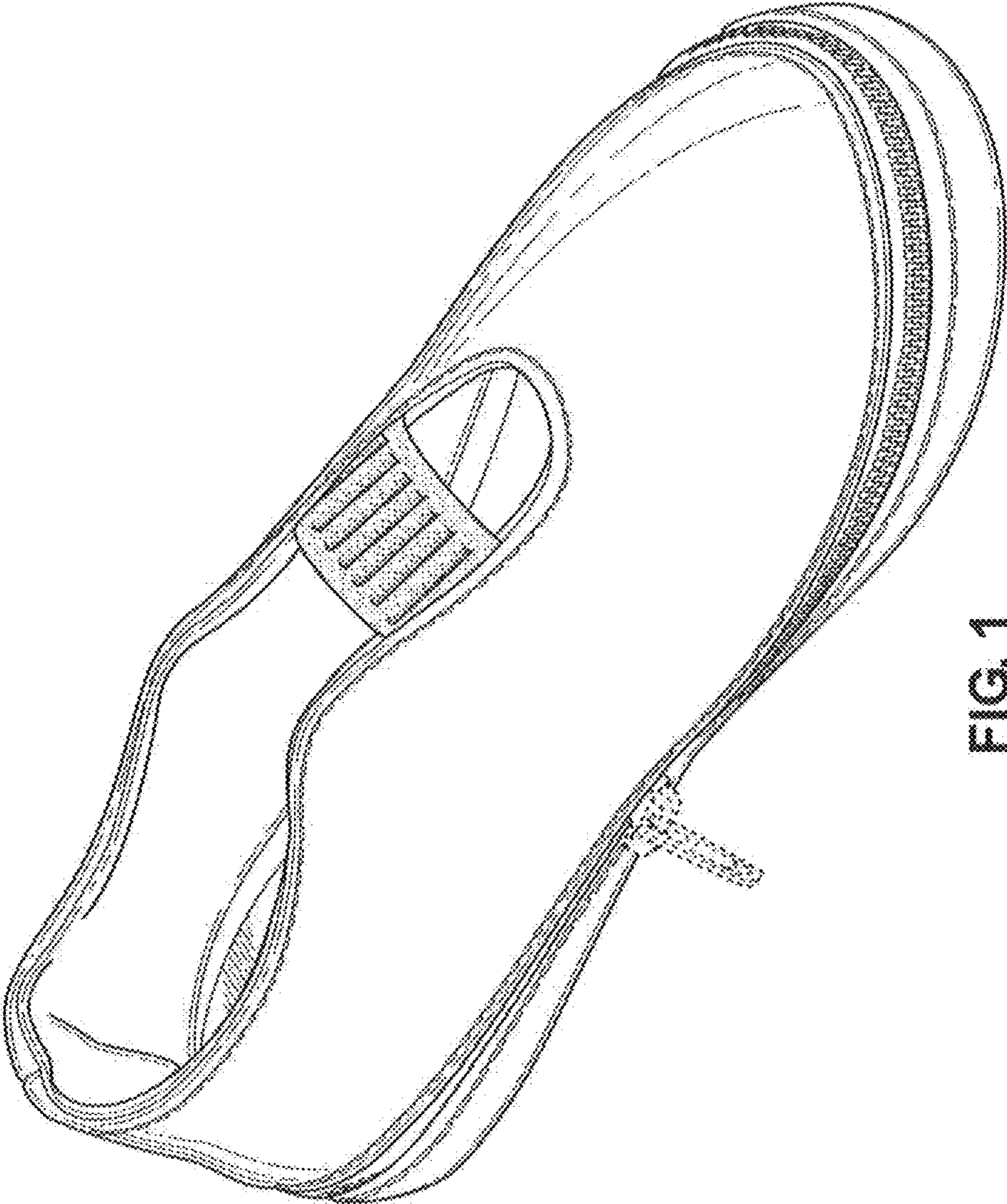


FIG. 1

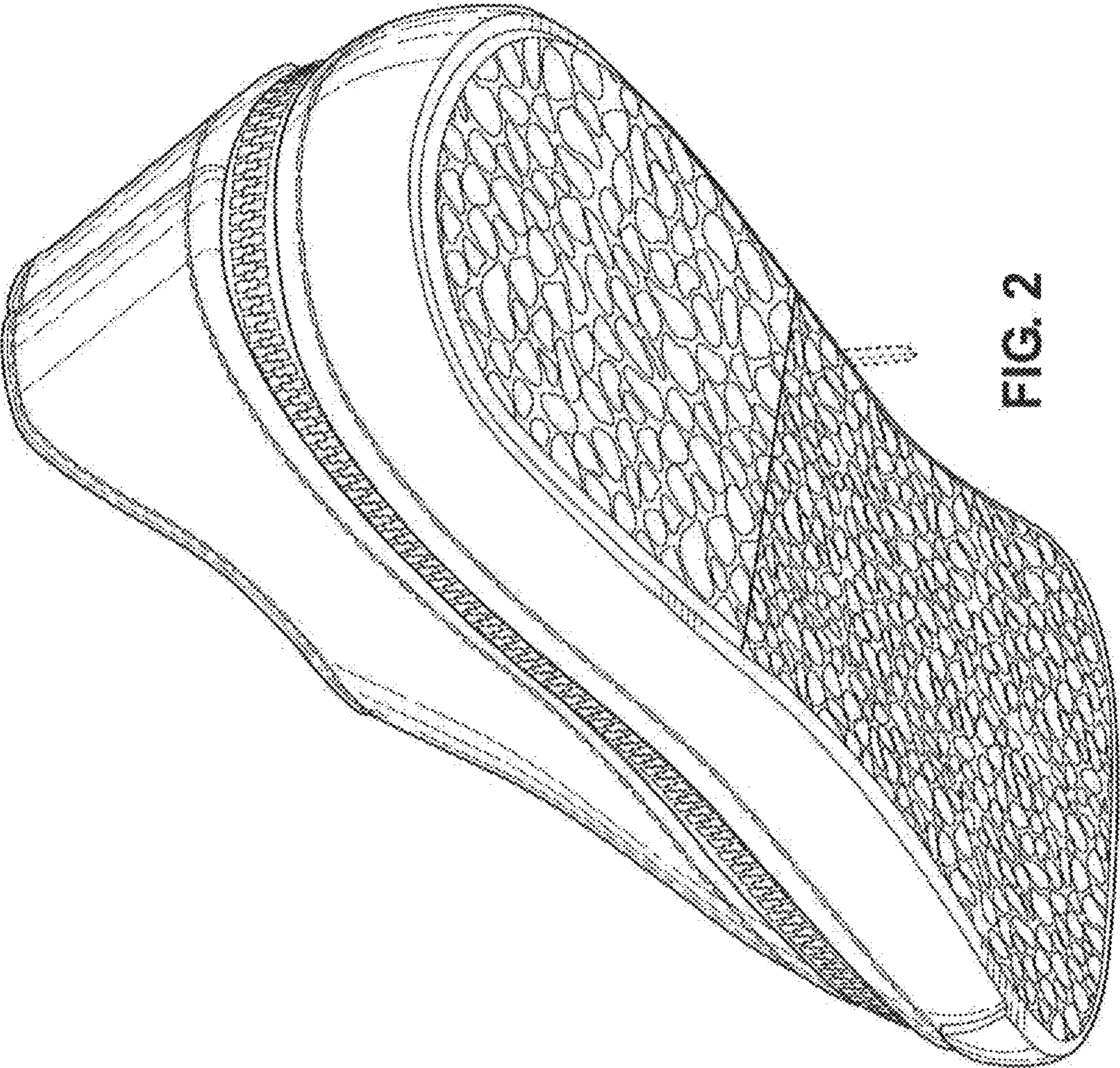


FIG. 2

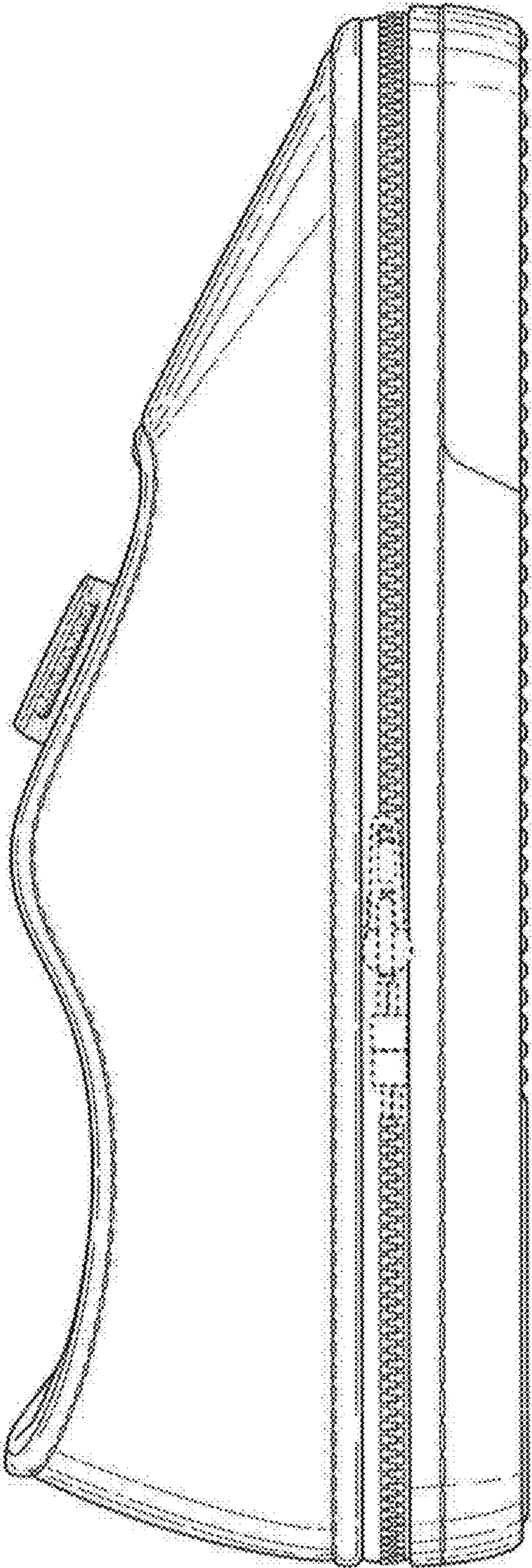


FIG. 3

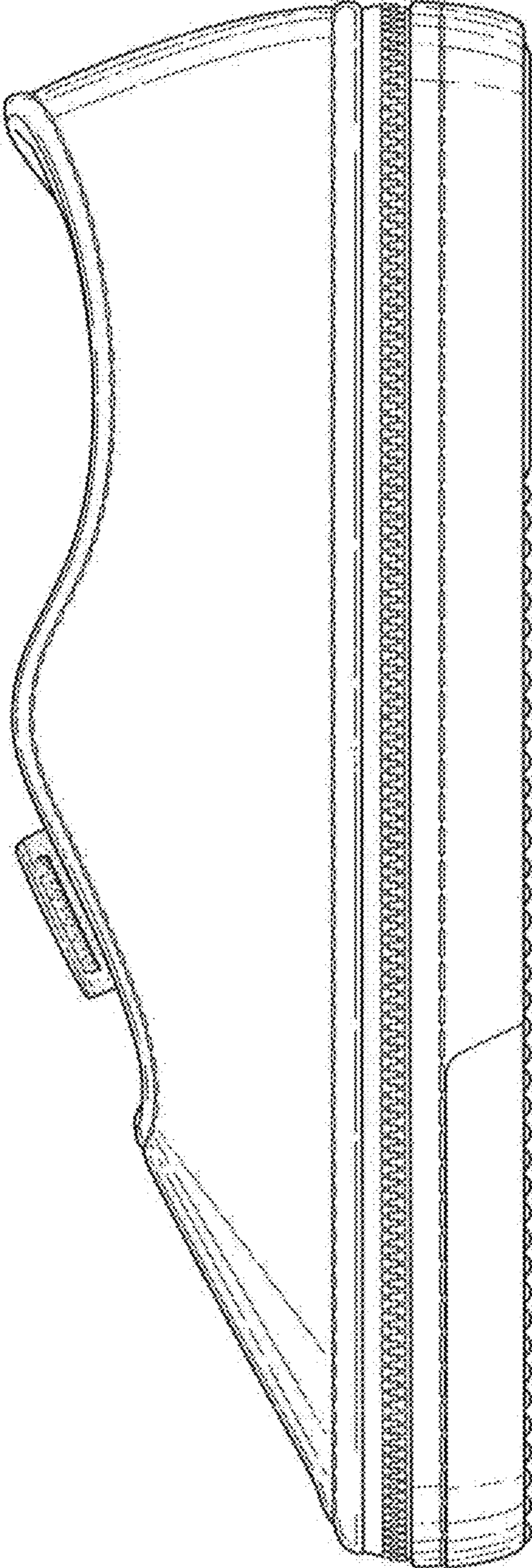


FIG. 4

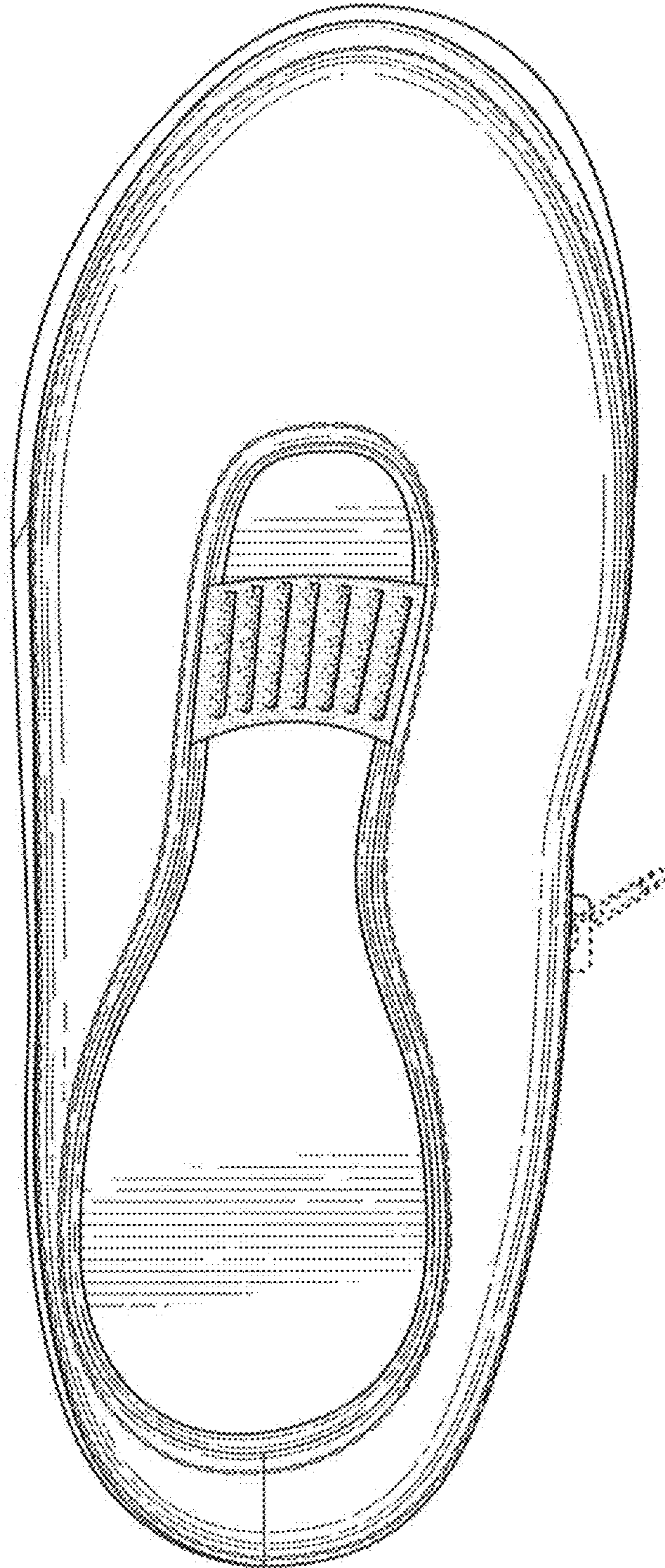


FIG. 5

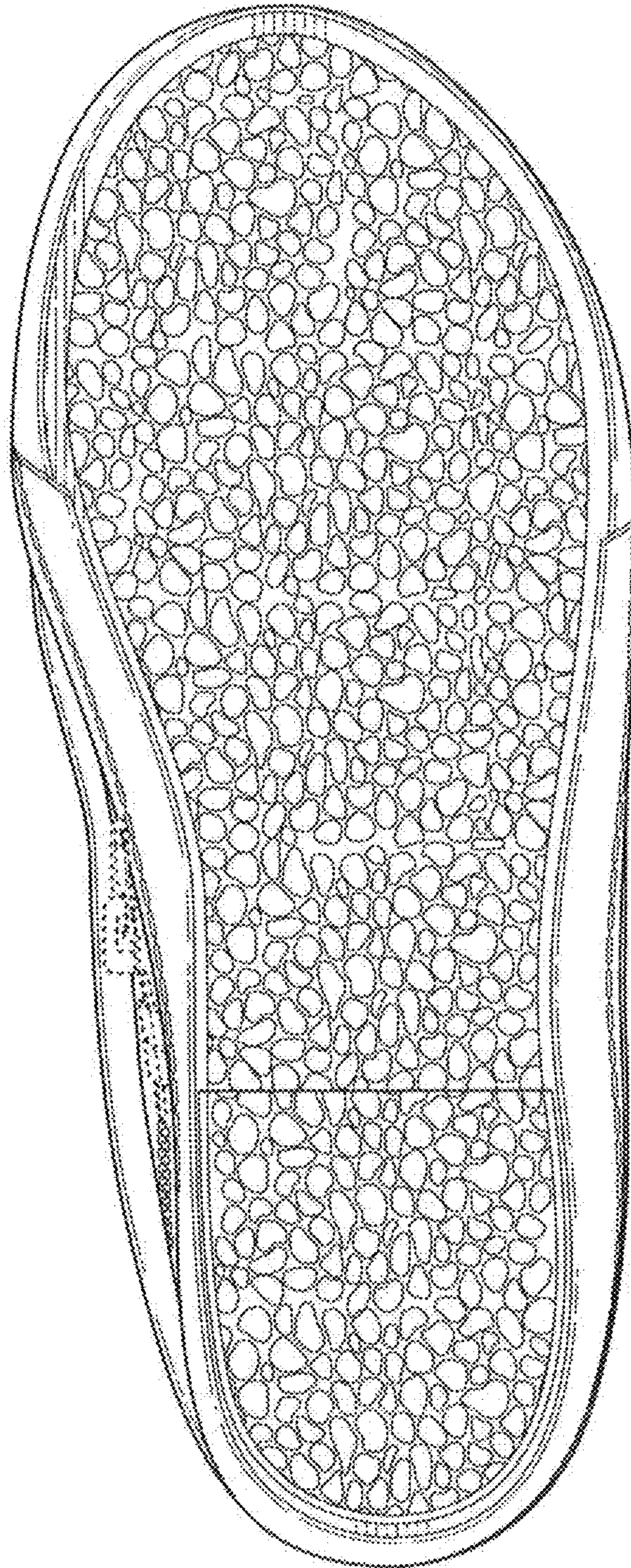


FIG. 6

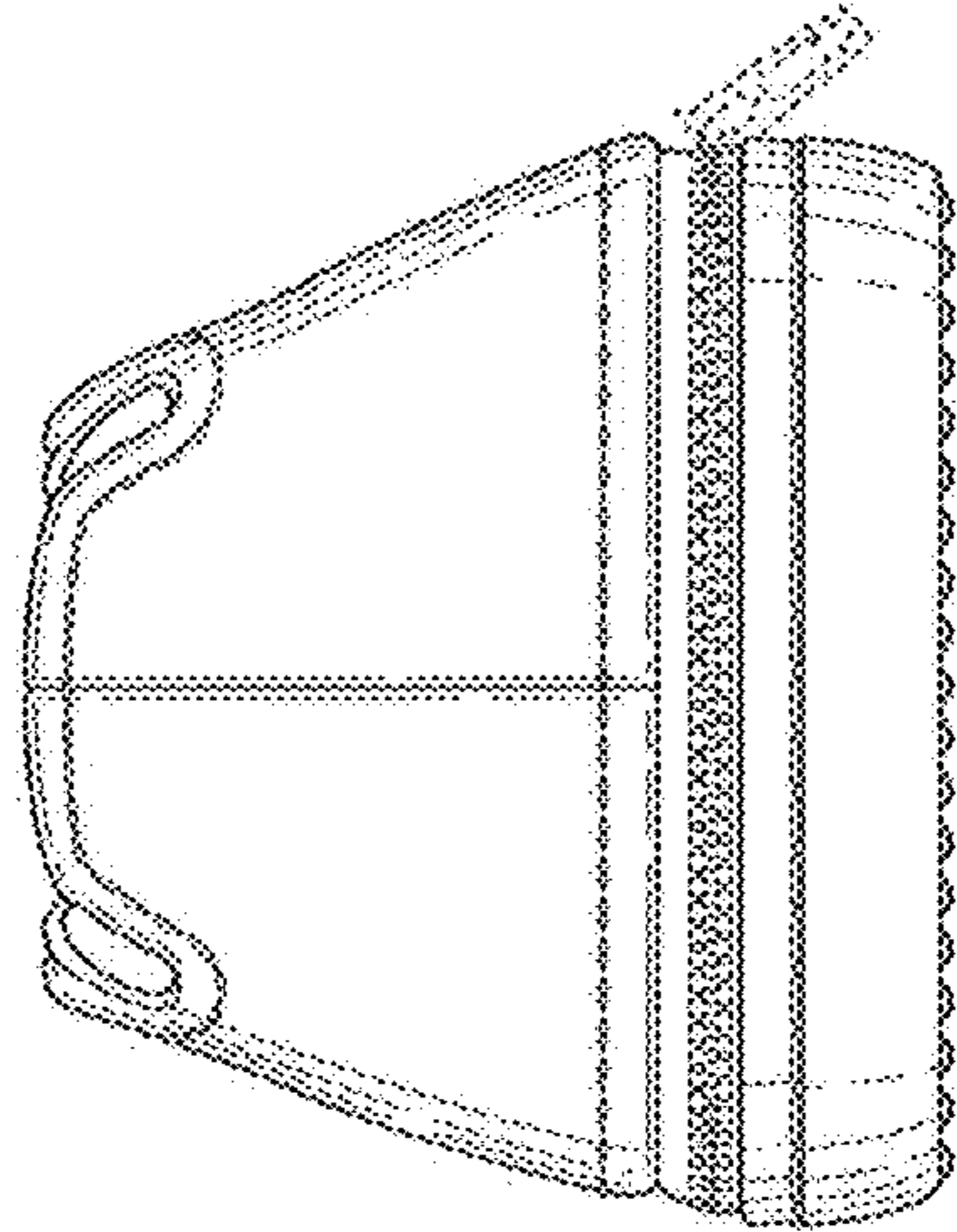


FIG. 7

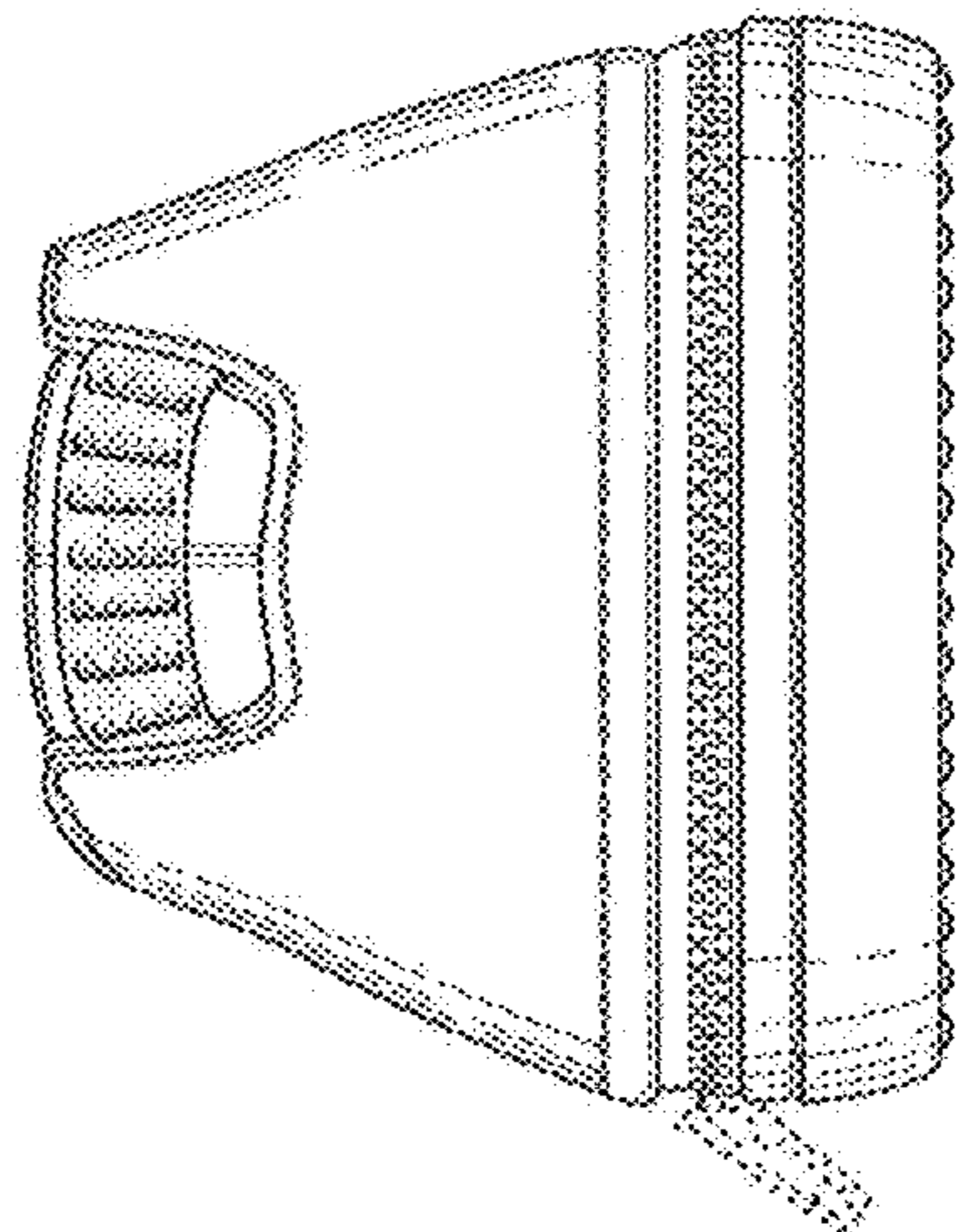


FIG. 8