



US00D802249S

(12) **United States Design Patent** (10) **Patent No.:** **US D802,249 S**  
**Spears et al.** (45) **Date of Patent:** **\*\* Nov. 7, 2017**

- (54) **INDOOR PARCEL LOCKERS** 1,642,533 A \* 9/1927 Beer ..... A47G 29/1201  
232/25
- (71) Applicant: **United States Postal Service,** 2,480,288 A 8/1949 Donadio  
Washington, DC (US) 2,563,094 A 8/1951 Becker  
D180,171 S \* 4/1957 Band ..... D6/671
- (72) Inventors: **Michael LeRoy Spears,** Chantilly, VA 2,803,512 A 8/1957 Band  
(US); **Joel L. Dewnandan,** Bladenburg, MD (US); **Donald Eugene Irwin,** D205,951 S \* 10/1966 Band ..... D6/671  
Fredericksburg, VA (US); **Joram** D210,257 S \* 2/1968 Favaro ..... D99/33  
**Shenhar,** Fairfax, VA (US); **William** D225,922 S 1/1973 Rosenberg  
**Albert Tartal,** Baltimore, MD (US) 3,784,089 A \* 1/1974 Koch ..... A47G 29/1201  
232/24
- (73) Assignee: **UNITED STATES POSTAL** 3,790,244 A 2/1974 Stackhouse  
**SERVICE,** Washington, DC (US) D248,138 S 6/1978 Stackhouse et al.  
4,121,758 A 10/1978 Bonner  
4,161,274 A 7/1979 Bishop et al.  
D293,863 S 1/1988 Chester

(Continued)

(\*\*) Term: **15 Years**

(21) Appl. No.: **29/588,582**

(22) Filed: **Dec. 21, 2016**

**Related U.S. Application Data**

- (62) Division of application No. 29/539,926, filed on Sep. 18, 2015, now Pat. No. Des. 789,022.
- (51) **LOC (10) Cl.** ..... **99-00**
- (52) **U.S. Cl.**  
USPC ..... **D99/29**
- (58) **Field of Classification Search**  
USPC ..... D99/28, 29, 30, 31, 32, 33, 99  
CPC ..... A47G 29/12; A47G 29/1201; A47G  
29/1203; A47G 29/1207; A47G 29/1209;  
A47G 29/1216; A47G 29/1218; A47G  
29/14; A47G 29/141; A47G 29/142;  
A47G 29/148; A47G 29/16  
See application file for complete search history.

(56) **References Cited**

**U.S. PATENT DOCUMENTS**

- 1,222,964 A 4/1917 Matchette
- 1,362,949 A 12/1920 Lillard

**OTHER PUBLICATIONS**

PTO Restriction Requirement dated Nov. 9, 2016, Design U.S. Appl. No. 29/539,926, pp. 1-16.

(Continued)

*Primary Examiner* — Elizabeth J Oswecki

(74) *Attorney, Agent, or Firm* — MH2 Technology Law Group, LLP

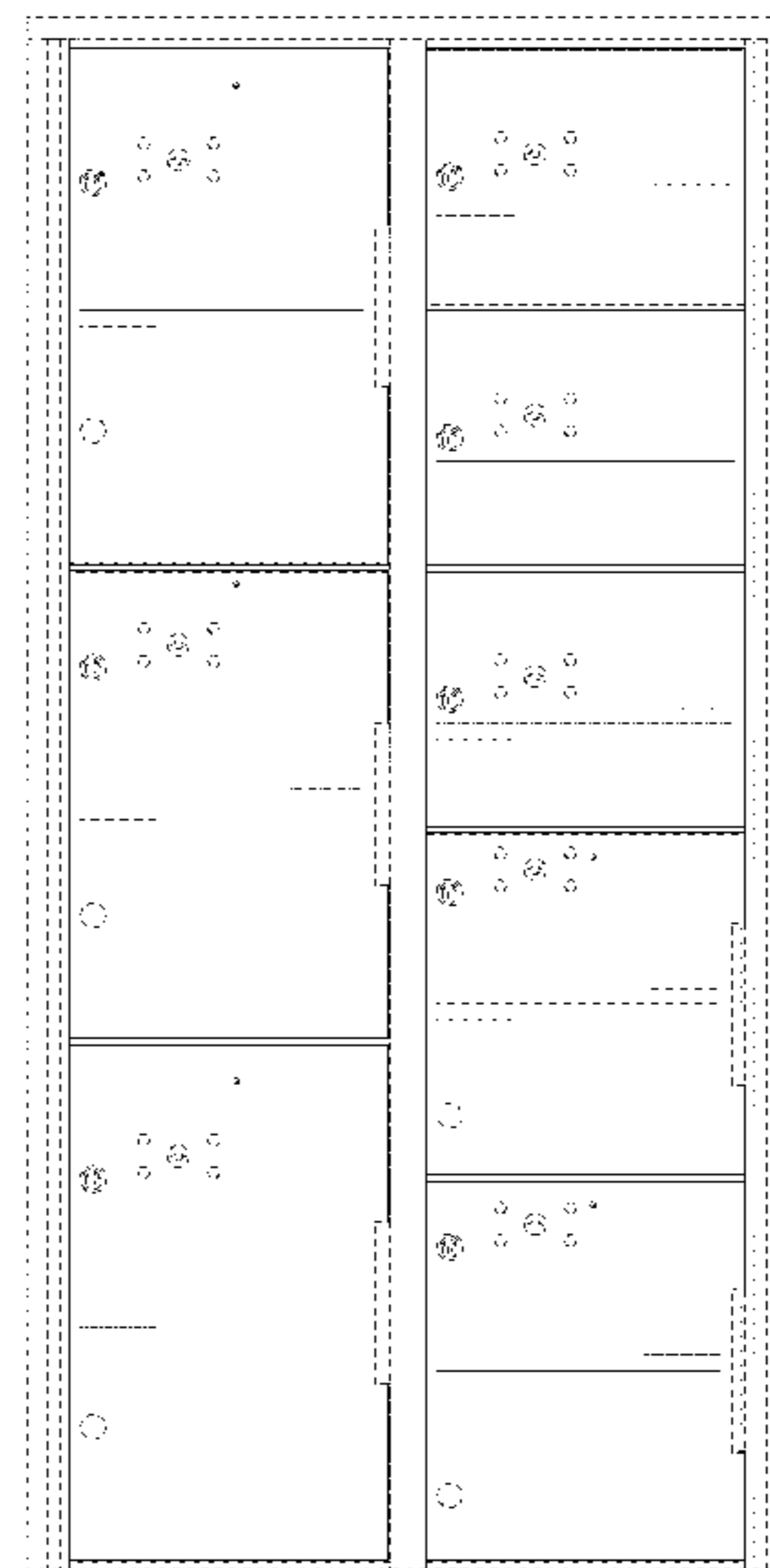
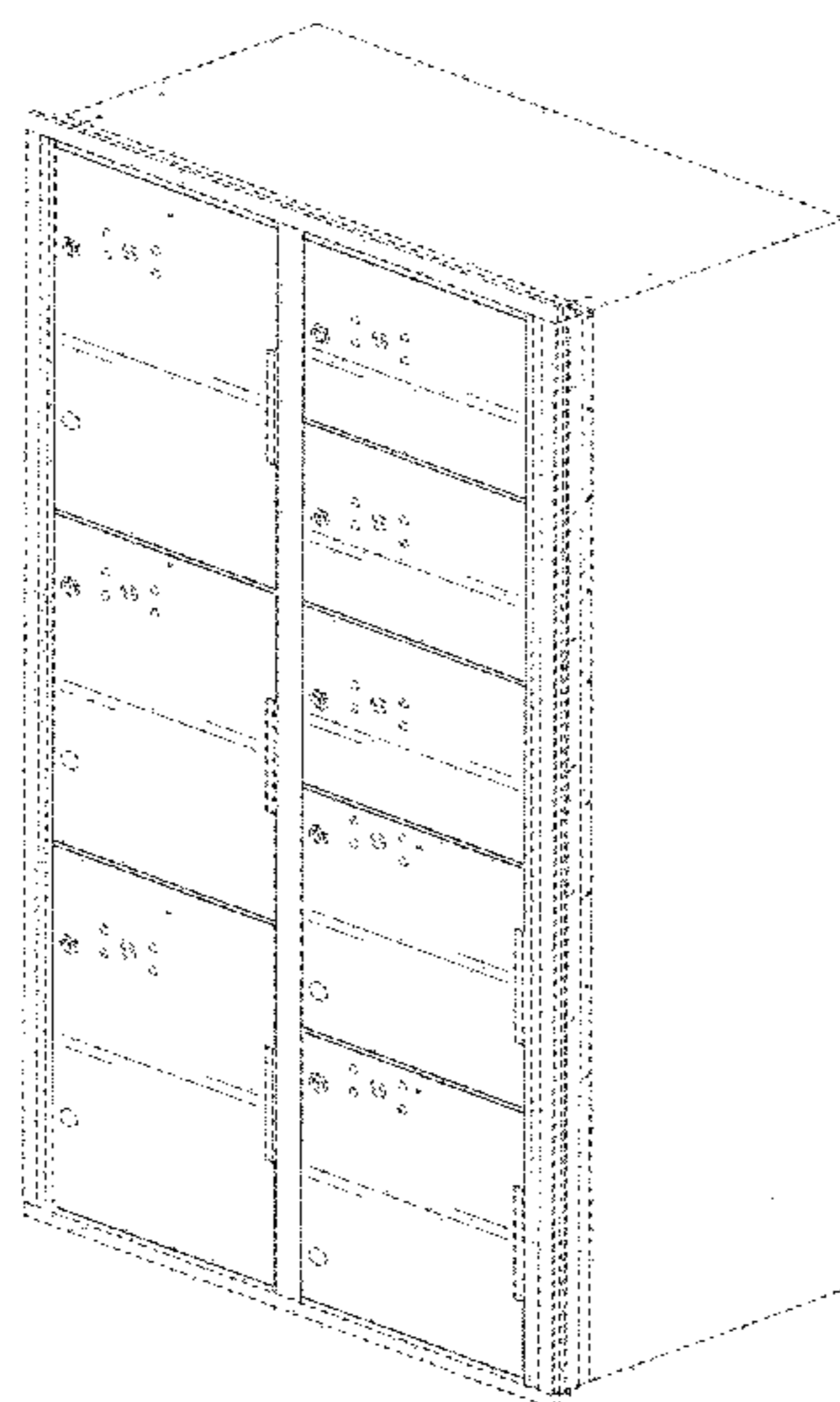
(57) **CLAIM**

The ornamental design for an indoor parcel lockers, as shown and described.

**DESCRIPTION**

FIG. 1 is a front perspective view of an indoor parcel locker, showing our new design; and, FIG. 2 is a front elevation view thereof. The undisclosed rear views of the indoor parcel locker shown in FIGS. 1 and 2 are not part of the claimed design. The broken lines in the drawings depict unclaimed subject matter and form no part of the design.

**1 Claim, 2 Drawing Sheets**



(56)

References Cited

U.S. PATENT DOCUMENTS

D326,757 S 6/1992 Ullman  
 5,172,970 A 12/1992 Momose et al.  
 5,223,829 A \* 6/1993 Watabe ..... A47G 29/141  
 235/382.5  
 D361,446 S \* 8/1995 Acard ..... D6/671  
 D366,576 S \* 1/1996 Stacy ..... D6/664  
 5,520,450 A \* 5/1996 Colson, Jr. .... E05B 47/023  
 312/215  
 5,794,844 A \* 8/1998 Jenkins ..... A47G 29/1201  
 232/25  
 5,820,018 A 10/1998 Stacy  
 5,820,019 A 10/1998 Spitale  
 6,003,761 A 12/1999 Chapman  
 D419,747 S 1/2000 Noblet et al.  
 6,247,641 B1 6/2001 Noblet et al.  
 6,296,181 B1 10/2001 Noblet et al.  
 6,578,323 B1 \* 6/2003 Zartman ..... E04H 13/006  
 27/1  
 6,685,284 B2 \* 2/2004 Hara ..... A47G 29/141  
 312/215  
 6,749,109 B2 6/2004 Hill  
 6,806,807 B2 \* 10/2004 Cayne ..... G07C 9/00087  
 340/5.52  
 6,889,894 B2 5/2005 Yong  
 D528,734 S 9/2006 Phelps et al.  
 D549,424 S 8/2007 Mikolajczyk et al.

7,360,681 B2 \* 4/2008 Pittman ..... A47G 29/1201  
 16/254  
 7,604,158 B1 10/2009 Bond  
 D640,445 S 6/2011 Stevens  
 8,246,124 B2 8/2012 Mackillop  
 9,051,752 B1 6/2015 Muthusami  
 D745,765 S 12/2015 Mikolajczyk et al.  
 9,322,207 B2 4/2016 Savage et al.  
 D785,274 S \* 4/2017 Mikolajczyk ..... D99/29  
 9,663,974 B2 \* 5/2017 Savage ..... E05B 65/025  
 D789,022 S \* 6/2017 Spears ..... D99/29  
 D789,649 S \* 6/2017 Spears ..... D99/28  
 2006/0101874 A1 5/2006 Mikolajczyk et al.  
 2006/0152339 A1 \* 7/2006 Mercier ..... G07G 1/0054  
 340/5.73  
 2006/0255116 A1 \* 11/2006 Yong ..... A47G 29/1201  
 232/24  
 2008/0223091 A1 9/2008 Kroening et al.  
 2009/0282752 A1 \* 11/2009 Stilnovich ..... E04H 13/006  
 52/133  
 2010/0026147 A1 \* 2/2010 Mackillop ..... A47G 29/1201  
 312/215  
 2013/0193818 A1 \* 8/2013 Sturm ..... A62C 2/242  
 312/222

OTHER PUBLICATIONS

PTO Notice of Allowance dated Jan. 25, 2017, Design U.S. Appl. No. 29/539,926, pp. 1-22.

\* cited by examiner

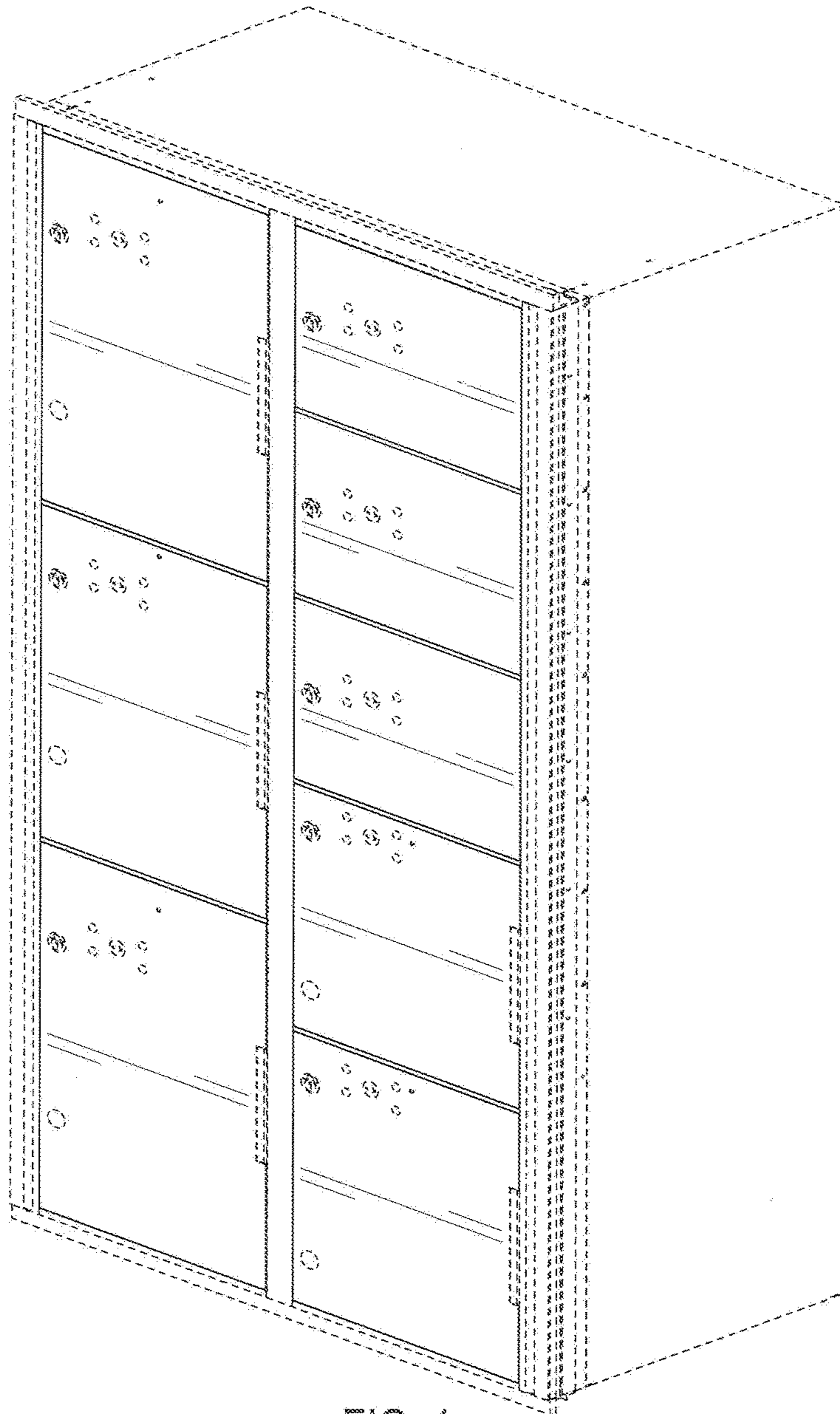


FIG. 1

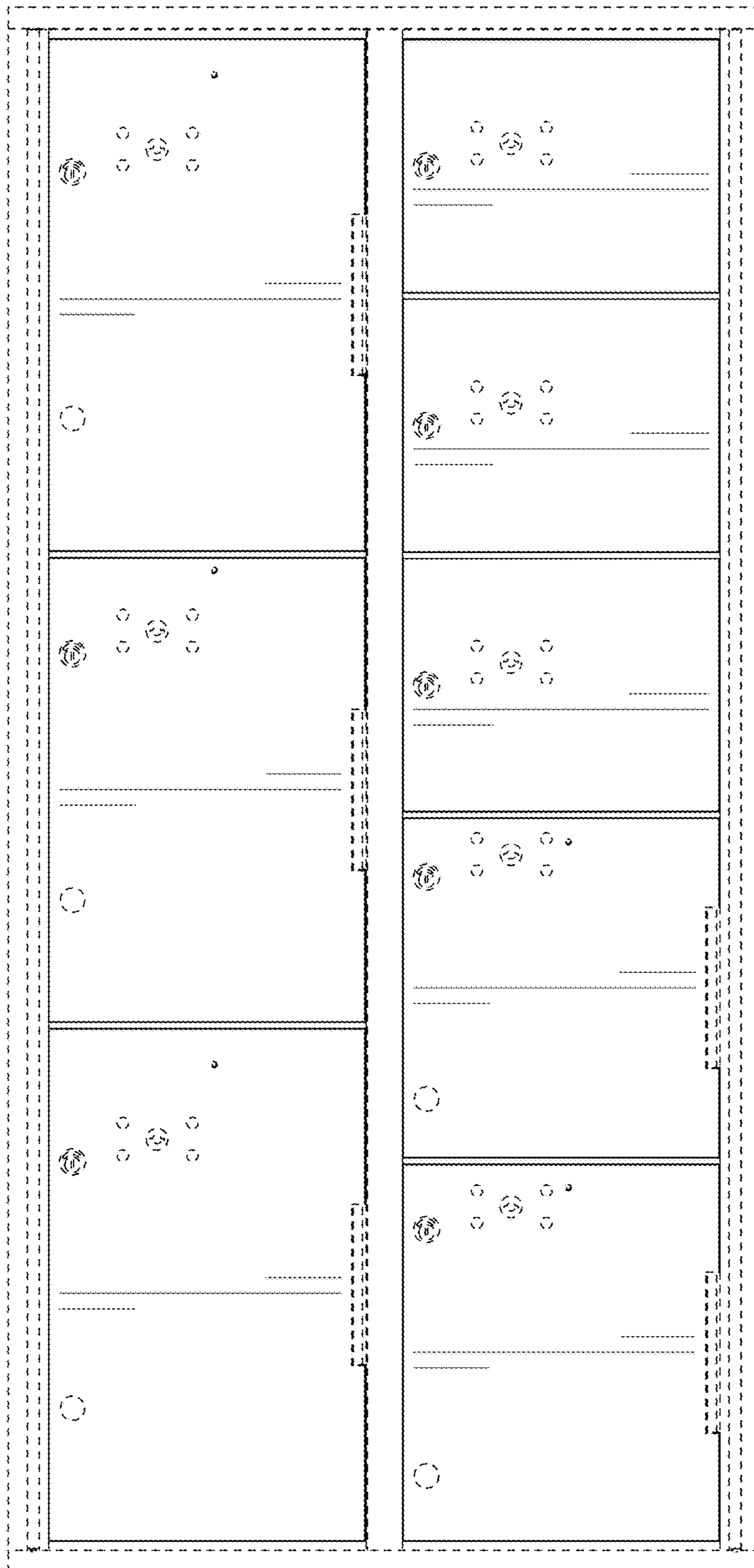


FIG. 2