



US00D802246S

(12) **United States Design Patent**
Marshall

(10) **Patent No.:** **US D802,246 S**

(45) **Date of Patent:** **** Nov. 7, 2017**

(54) **LOADING RAMP**

(71) Applicant: **MARSHALL INDUSTRIAL INC.,**
Ajax (CA)

(72) Inventor: **Bob Marshall, Ajax (CA)**

(**) Term: **15 Years**

(21) Appl. No.: **29/570,308**

(22) Filed: **Jul. 7, 2016**

(30) **Foreign Application Priority Data**

Jun. 17, 2016 (CA) 169091

(51) **LOC (10) Cl.** **12-05**

(52) **U.S. Cl.**
USPC **D34/32**

(58) **Field of Classification Search**
USPC D34/28, 32, 35; 254/88, 124; 193/38,
193/41; 414/537, 495, 678, 546, 541;
14/71.1, 69.5, 71.3, 71.7, 71.5; 187/222,
187/245; D12/106
CPC B65G 69/30; B65G 69/28; B60P 1/435;
B60P 1/43; B60P 1/431; B60P 1/436;
A61G 3/061

See application file for complete search history.

(56) **References Cited**

U.S. PATENT DOCUMENTS

1,855,949 A *	4/1932	Rodriguez
		Dubroca B66F 7/243
		254/88
3,994,474 A *	11/1976	Finkbeiner B66F 7/0641
		254/88
6,484,344 B1 *	11/2002	Cooper A61G 3/061
		14/71.1
6,517,051 B1 *	2/2003	Cavanaugh B66F 7/243
		14/69.5
D543,675 S *	5/2007	Ji D34/32
7,222,838 B1 *	5/2007	Ji B66F 7/243
		254/88

D593,724 S *	6/2009	Heinz D34/32
D596,368 S *	7/2009	Holicki D34/32
D640,854 S *	6/2011	Leum D34/32
D706,513 S *	6/2014	LaBarbera D34/32

(Continued)

OTHER PUBLICATIONS

Marshall Industrial Inc. "LD5000 Adapt a Ramp", <https://www.portablemobileloadingramps.com/>. Apr. 10, 2017. shown in p. 1, Item # LD5000.*

(Continued)

Primary Examiner — Cynthia Ramirez
Assistant Examiner — Michael Maharajh

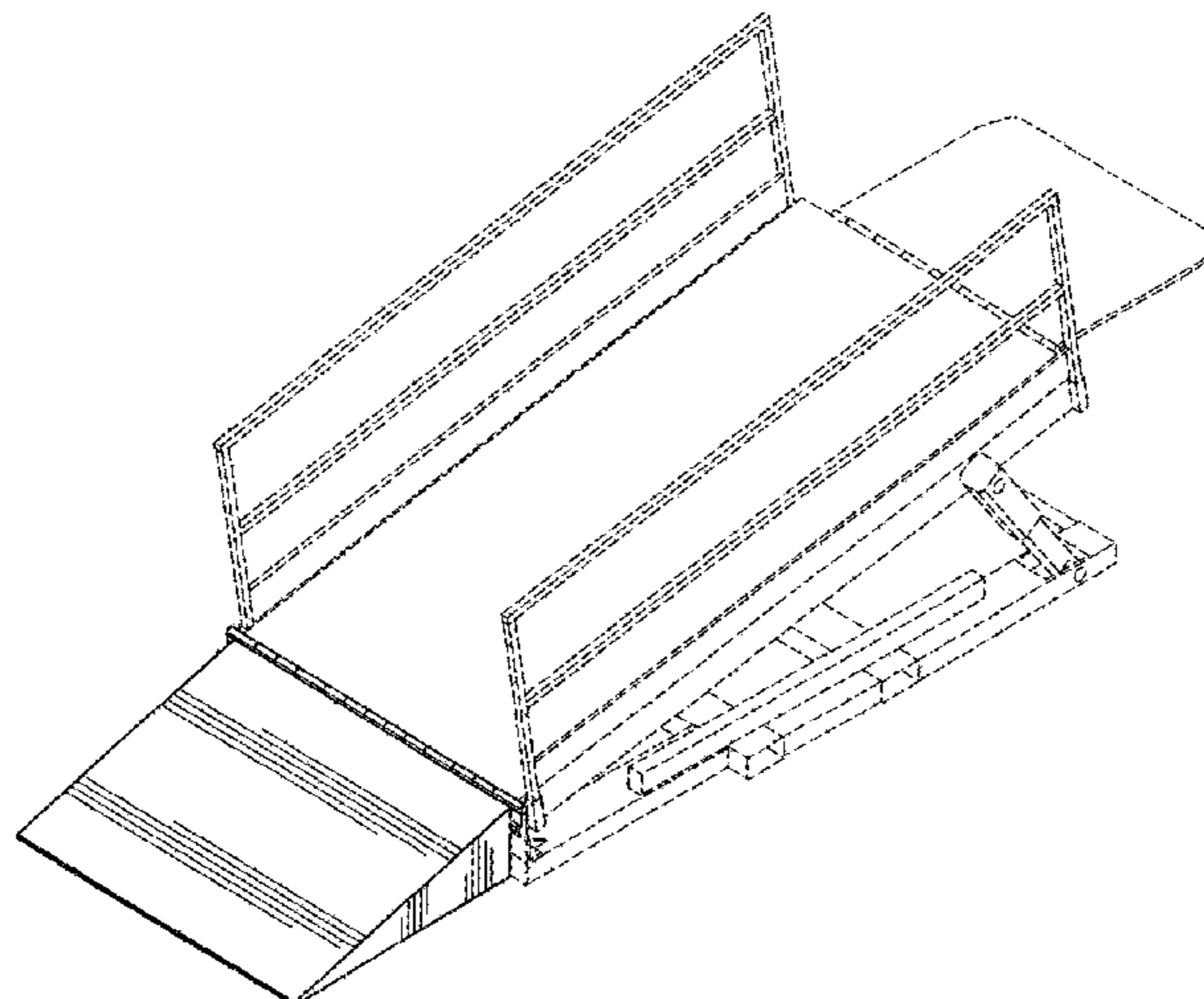
(57) **CLAIM**

I claim the ornamental design for a loading ramp, as shown and described.

DESCRIPTION

FIG. 1 is a perspective front, top and right side view of a loading ramp showing my new design;
FIG. 2 is a right side elevational view of the loading ramp shown in FIG. 1;
FIG. 3 is a left side elevational view of the loading ramp shown in FIG. 1;
FIG. 4 is a top plan view of the loading ramp shown in FIG. 1;
FIG. 5 is a front elevational view of the loading ramp shown in FIG. 1;
FIG. 6 is a rear elevational view of the loading ramp shown in FIG. 1;
FIG. 7 is a bottom plan view of the loading ramp shown in FIG. 1; and,
FIG. 8 is a perspective front, top and right side view of the loading ramp shown in FIG. 1, with a tail plate of the loading ramp shown in a raised position.
The broken lines depict portions of a loading ramp which form no part of the claimed design.

1 Claim, 7 Drawing Sheets



(56)

References Cited

U.S. PATENT DOCUMENTS

9,021,643 B2 * 5/2015 Purdon B65G 69/30
14/69.5
D736,676 S * 8/2015 Ehrgott D12/106
D750,338 S * 2/2016 Ruotsalainen D34/32

OTHER PUBLICATIONS

Youtube "LD5000 Adapt a Ramp", www.youtube.com. Jan. 15,
2016. shown in p. 1, Item # LD5000.*

* cited by examiner

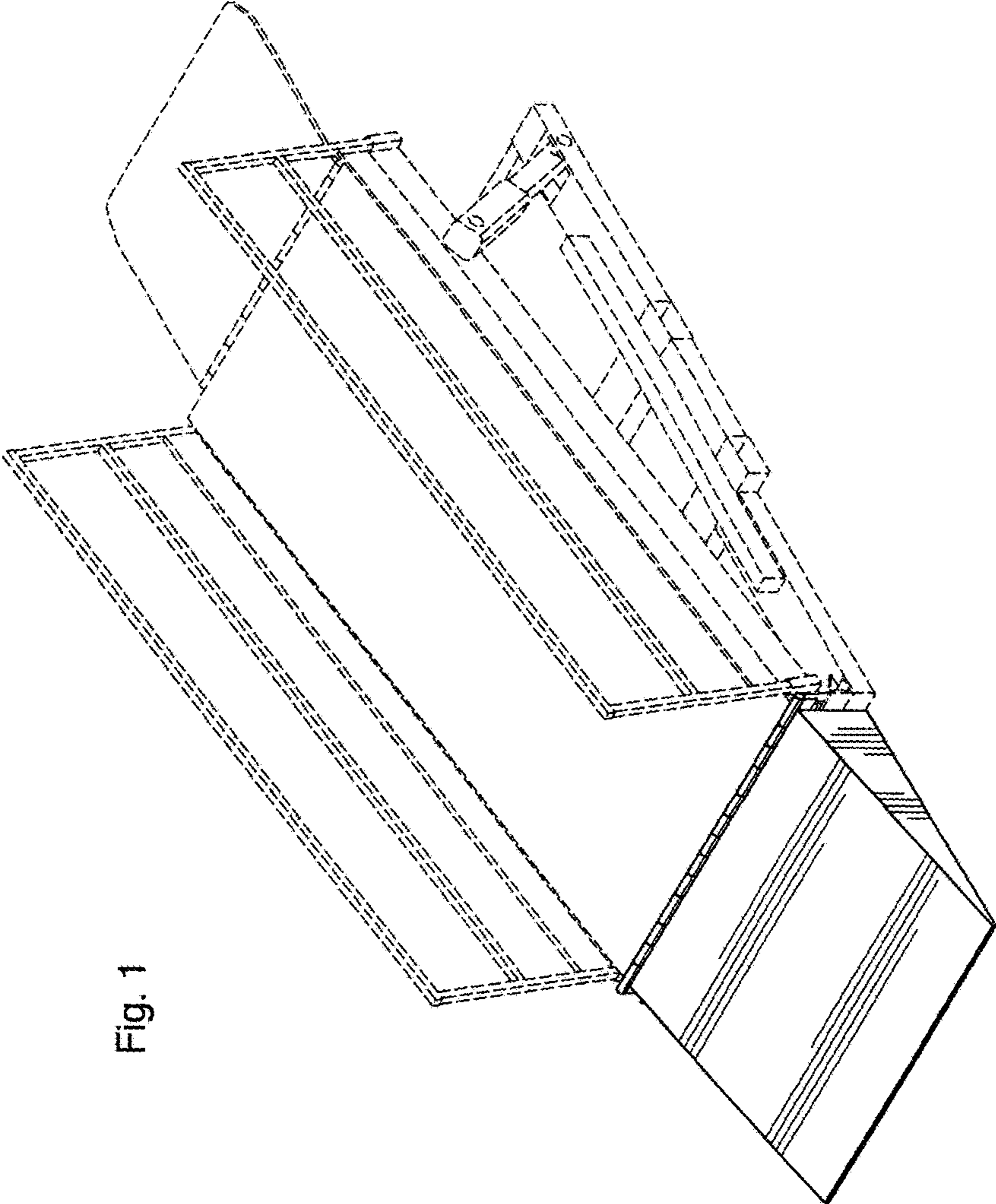


Fig. 1

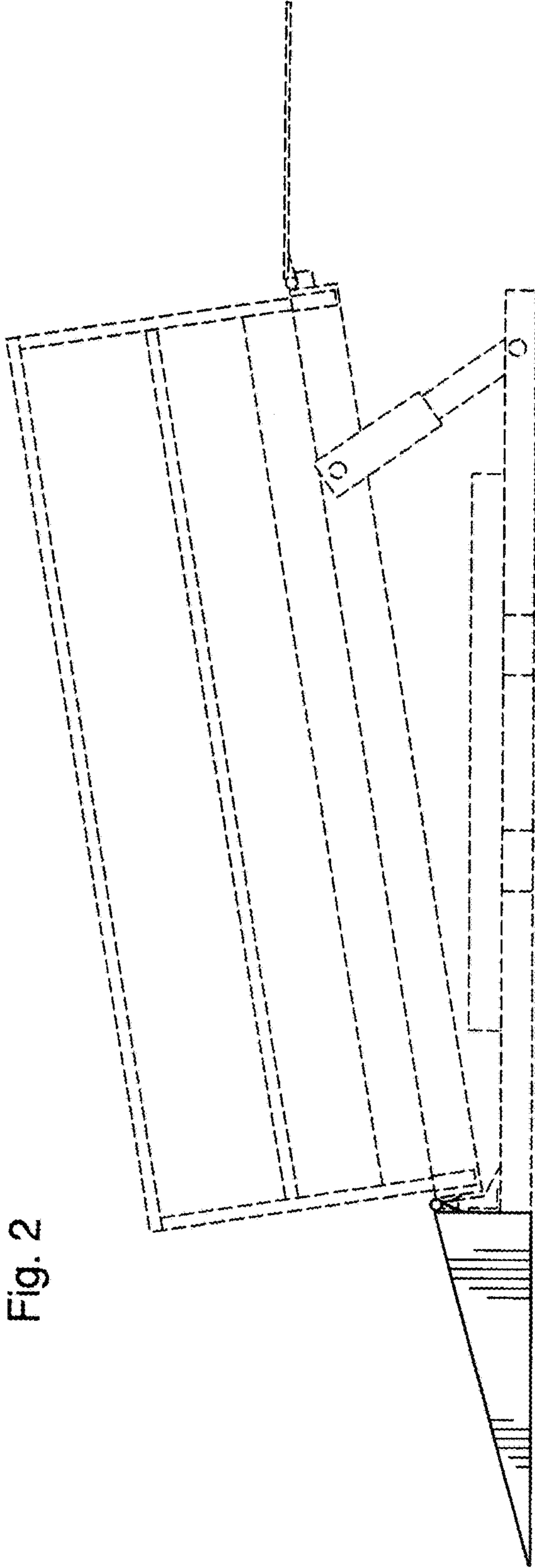
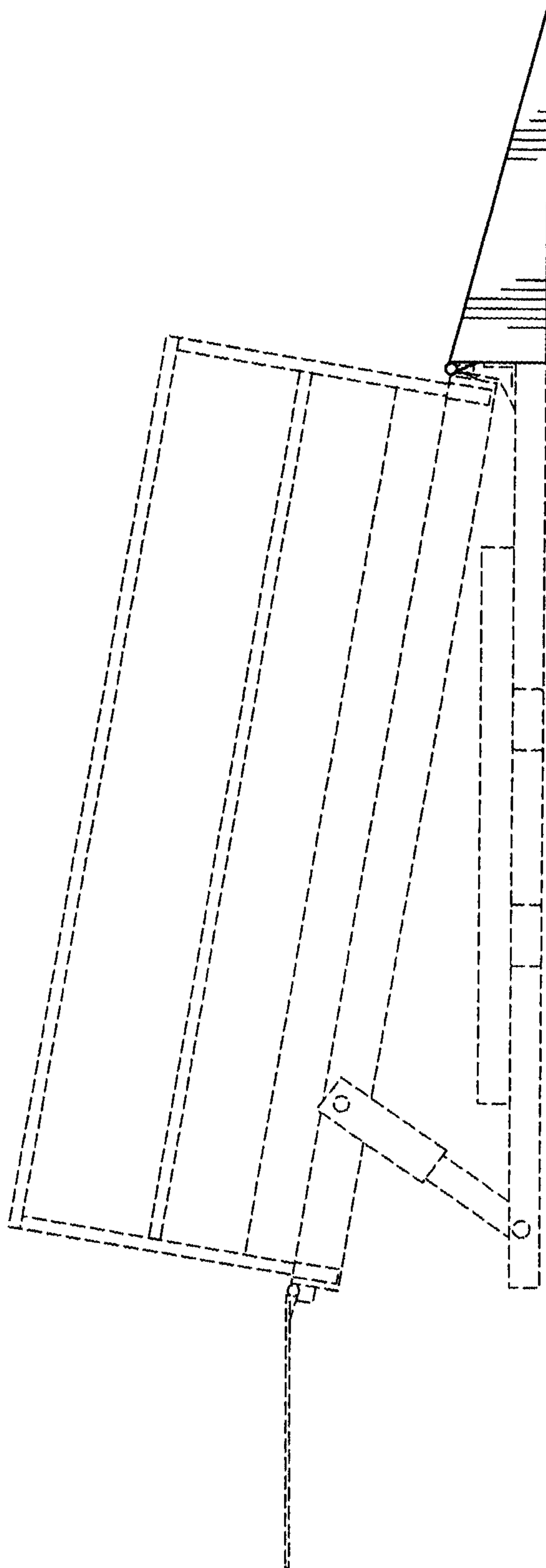


Fig. 2

Fig. 3



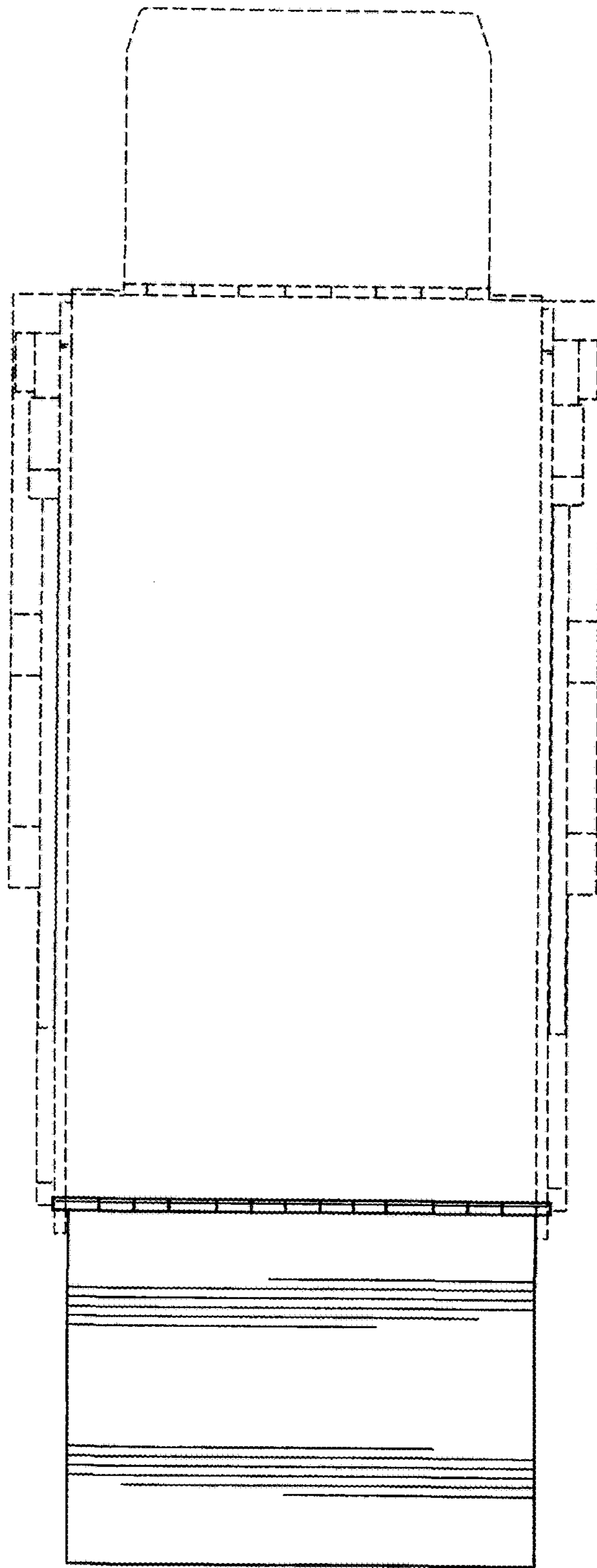


Fig. 4

Fig. 6

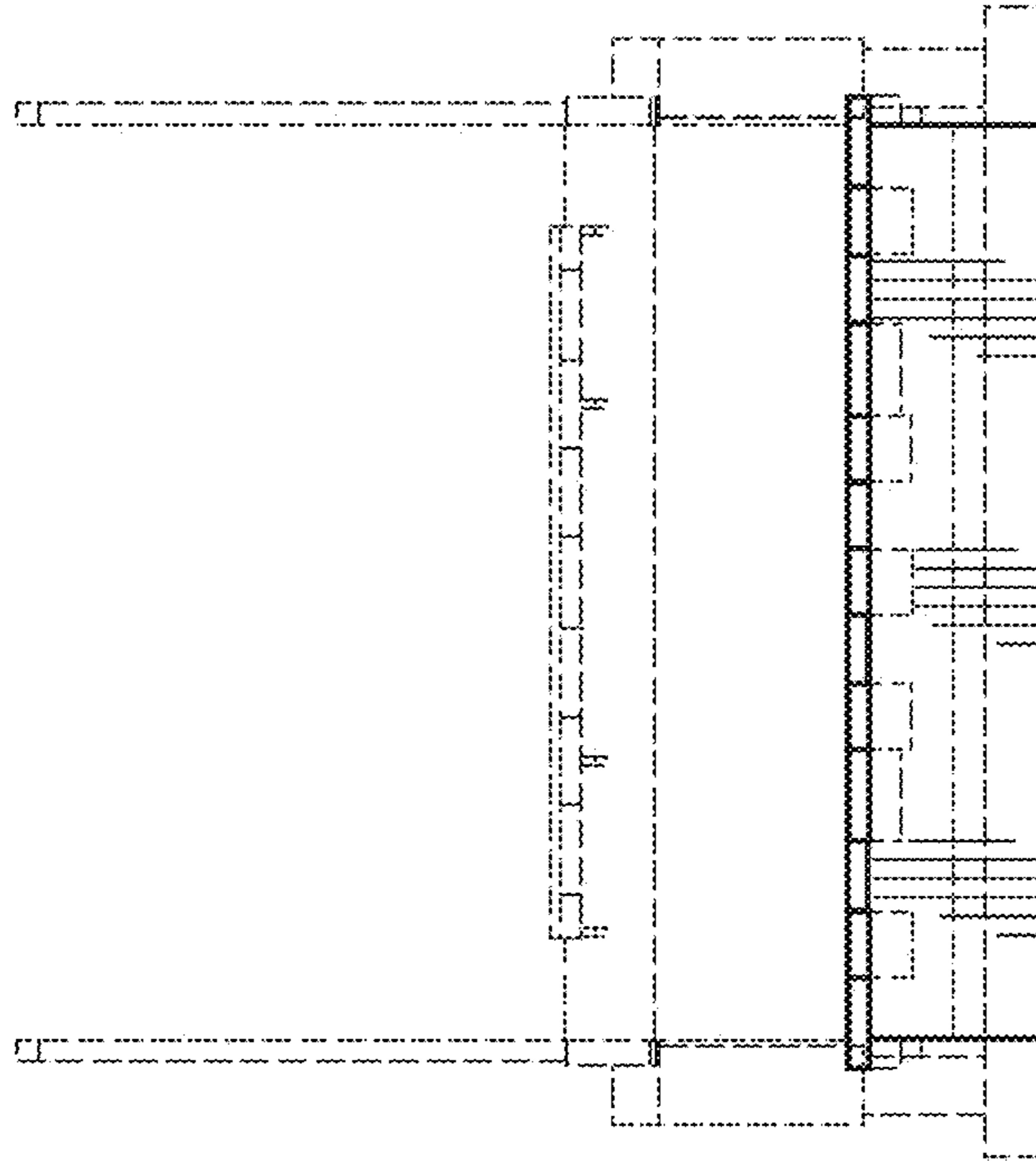


Fig. 5

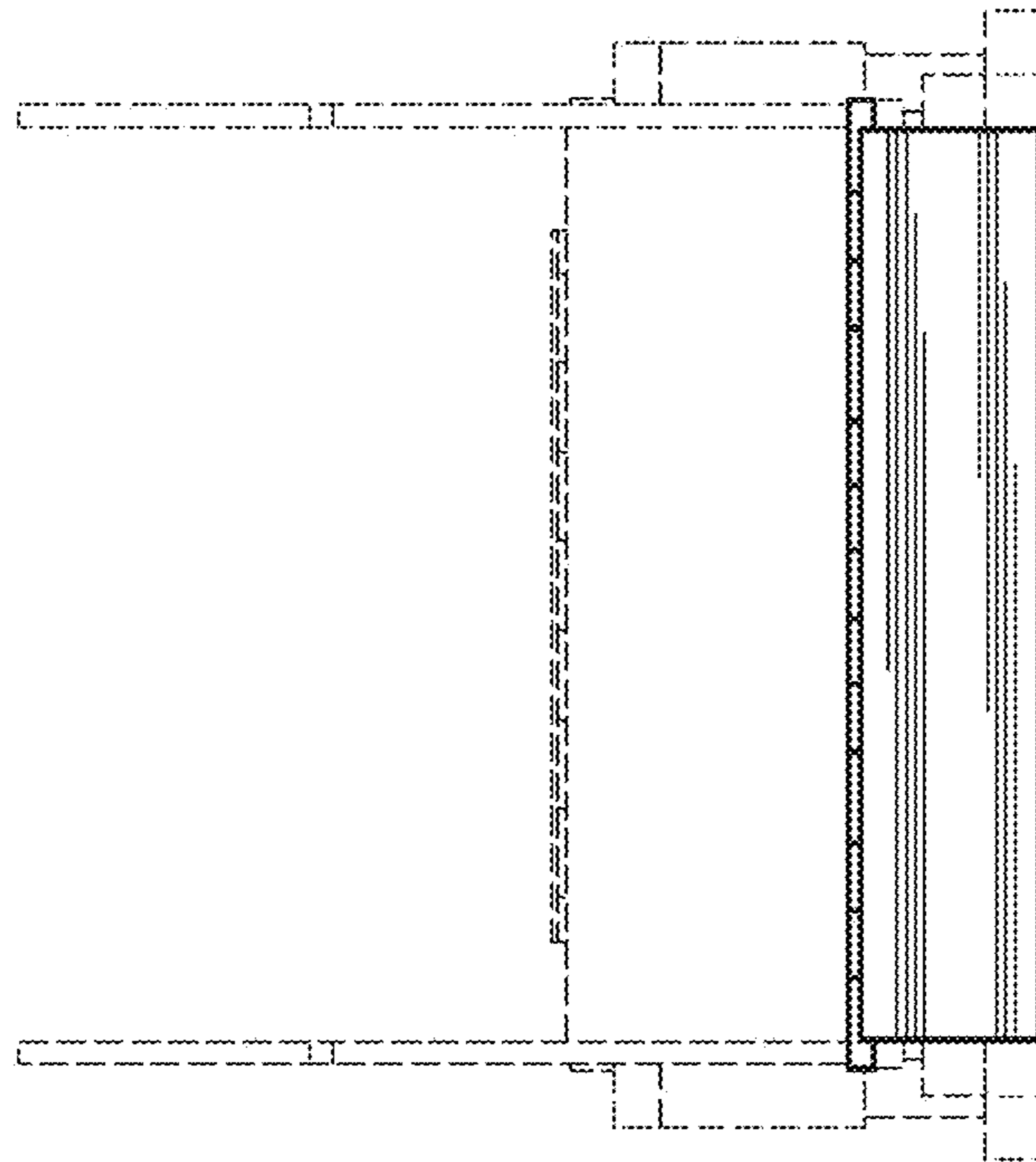
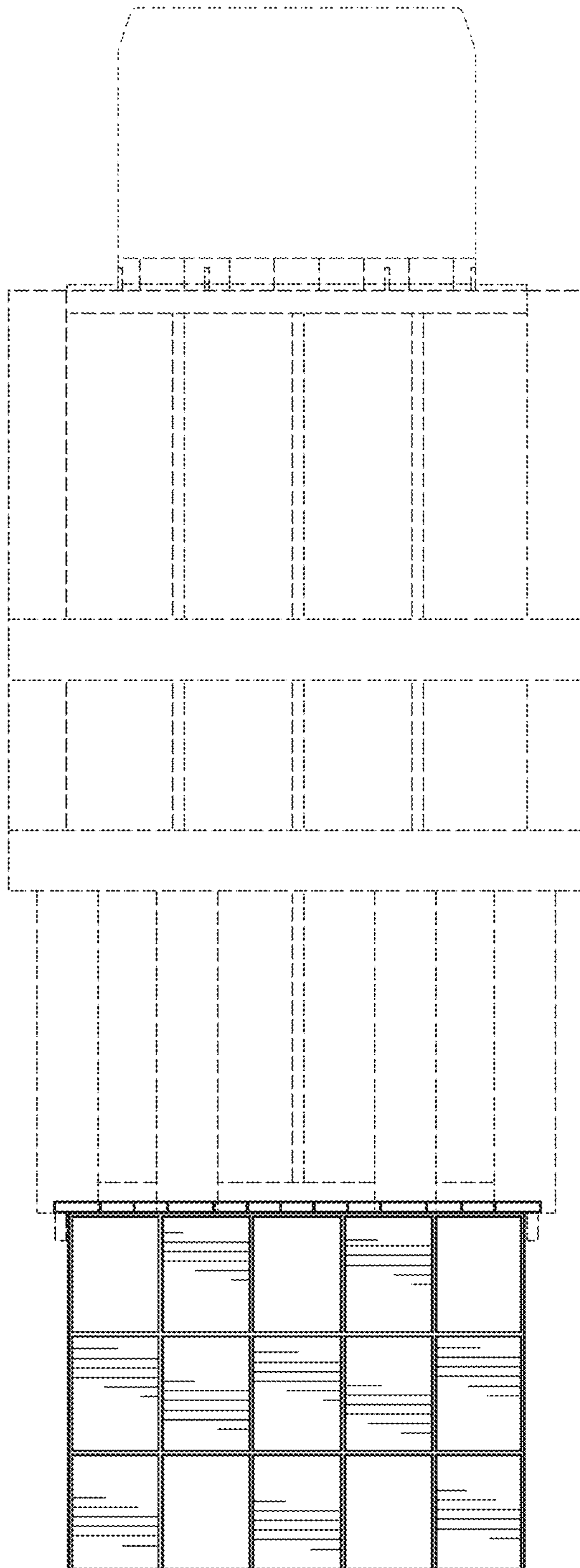


Fig. 7



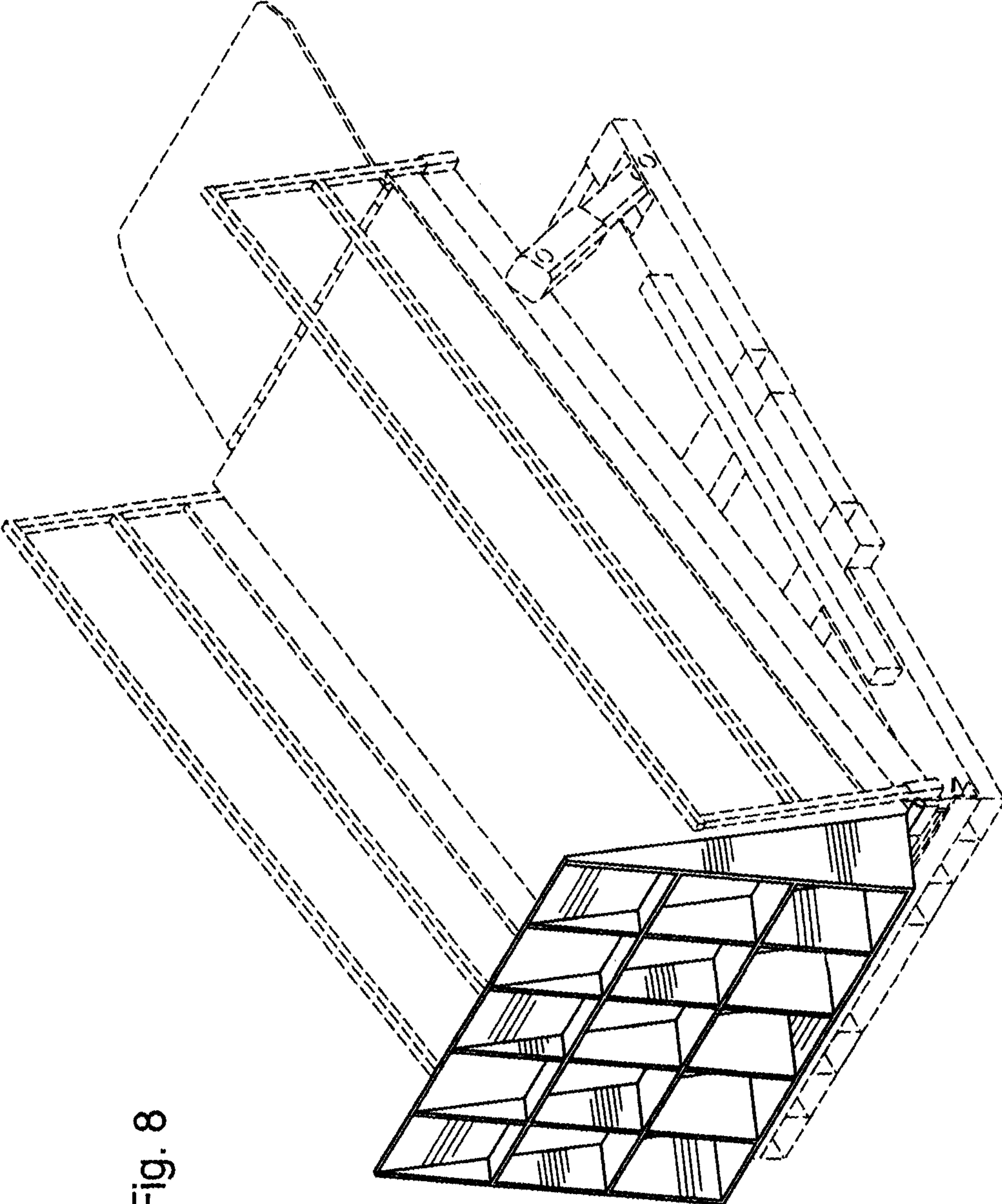


Fig. 8