



US00D802244S

(12) **United States Design Patent**
Marshall

(10) **Patent No.:** **US D802,244 S**

(45) **Date of Patent:** **** Nov. 7, 2017**

(54) **LOADING RAMP**

(71) Applicant: **MARSHALL INDUSTRIAL INC.,**
Ajax (CA)

(72) Inventor: **Bob Marshall,** Ajax (CA)

(**) Term: **15 Years**

(21) Appl. No.: **29/570,287**

(22) Filed: **Jul. 7, 2016**

(51) **LOC (10) Cl.** **12-05**

(52) **U.S. Cl.**
USPC **D34/32**

(58) **Field of Classification Search**

USPC D34/28, 32, 35; 254/88, 124; 193/38,
193/41; 414/537, 495, 921, 678, 538,
414/546, 541, 523; 14/71.1, 69.5, 71.3,
14/71.7, 71.5; 187/222, 245
CPC B65G 69/30; B65G 69/28; B60P 1/435;
B60P 1/43; B60P 1/431; B60P 1/436;
A61G 3/061; B66F 7/243

See application file for complete search history.

(56) **References Cited**

U.S. PATENT DOCUMENTS

3,994,474	A *	11/1976	Finkbeiner	B66F 7/0641 254/88
4,372,727	A *	2/1983	Fredrickson	B60P 1/433 414/537
6,179,545	B1 *	1/2001	Petersen, Jr.	A61G 3/061 14/71.7
D543,675	S *	5/2007	Ji	D34/32
7,222,838	B1 *	5/2007	Ji	B66F 7/243 254/88
7,870,629	B2 *	1/2011	Setzer, Jr.	B65G 69/30 14/69.5
D640,854	S *	6/2011	Leum	D34/32
8,807,906	B2 *	8/2014	Nespor	B60P 3/122 414/537
2009/0300859	A1 *	12/2009	Lucht	B65G 69/30 14/69.5
2011/0008140	A1 *	1/2011	Hansen	A61G 3/061 414/523

(Continued)

OTHER PUBLICATIONS

Marshall Industrial Inc. "LD5000 Adapt a Ramp", <https://www.portablemobileloadingramps.com/>. Apr. 11, 2017. shown in p. 1, Item # LD5000.*

(Continued)

Primary Examiner — Cynthia Ramirez

Assistant Examiner — Michael Maharajh

(57) **CLAIM**

I claim the ornamental design for a loading ramp, as shown and described.

DESCRIPTION

FIG. 1 is a perspective rear, top and right side view of a loading ramp showing my new design;

FIG. 2 is a right side elevational view of the loading ramp of FIG. 1;

FIG. 3 is a left side elevational view of the loading ramp shown in FIG. 1;

FIG. 4 is a top plan view of the loading ramp shown in FIG. 1;

FIG. 5 is a front elevational view of the loading ramp shown in FIG. 1;

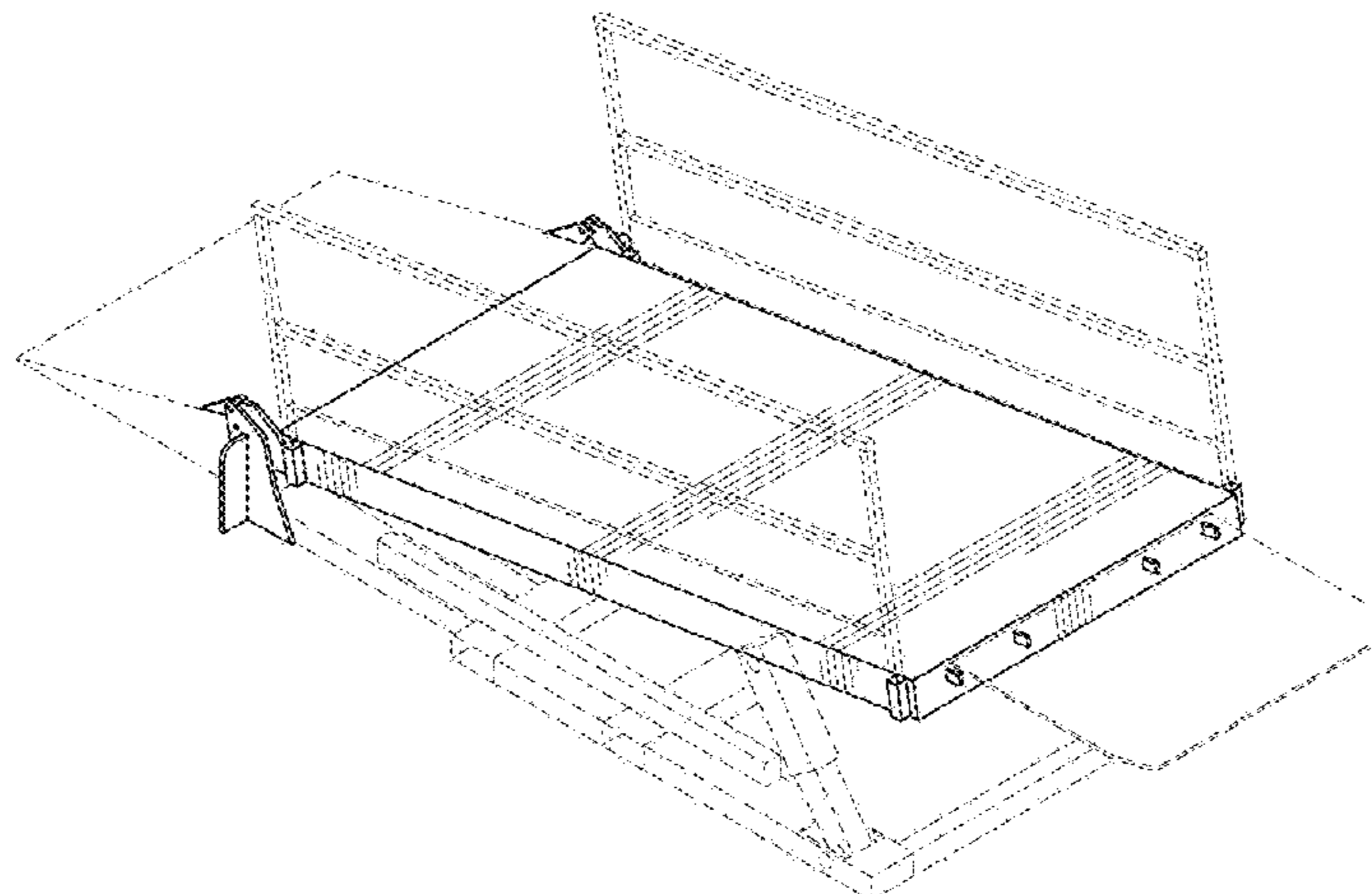
FIG. 6 is a rear elevational view of the loading ramp shown in FIG. 1;

FIG. 7 is a bottom plan view of the loading ramp shown in FIG. 1; and,

FIG. 8 is a perspective rear, top and right side view of the loading ramp shown in FIG. 1, with a deck plate of the loading ramp shown in a lowered position.

The broken lines depict portions of a loading ramp which form no part of the claimed design.

1 Claim, 7 Drawing Sheets



(56)

References Cited

U.S. PATENT DOCUMENTS

2011/0146008 A1* 6/2011 Hansen A61G 3/067
14/71.1
2013/0094931 A1* 4/2013 Bluhm B60P 1/431
414/523
2017/0057395 A1* 3/2017 Vipond B62D 33/0273

OTHER PUBLICATIONS

Youtube "LD5000 Adapt a Ramp", www.youtube.com. Jan. 15, 2016. shown in p. 1, Item # LD5000.*

* cited by examiner

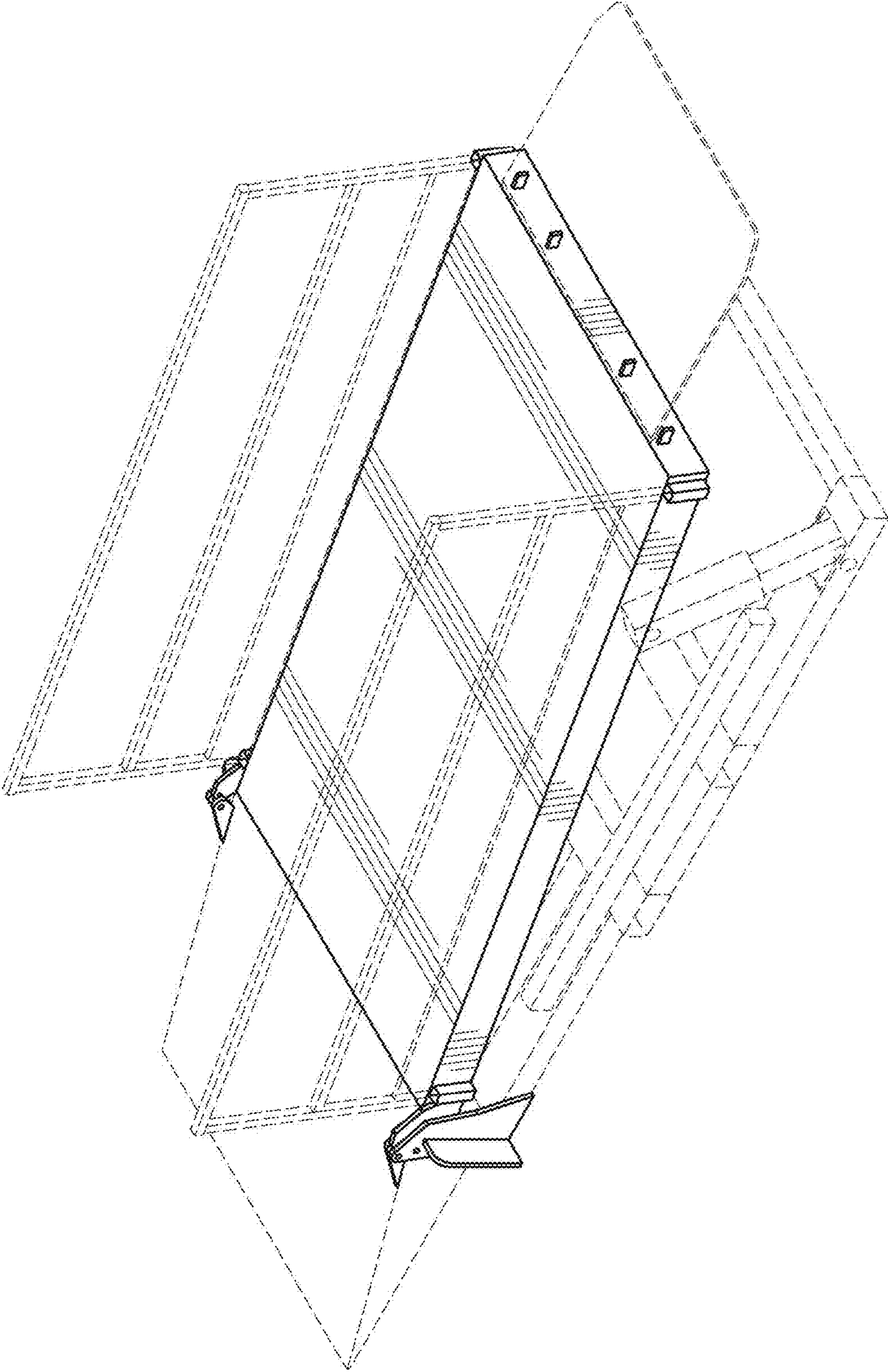


Fig. 1

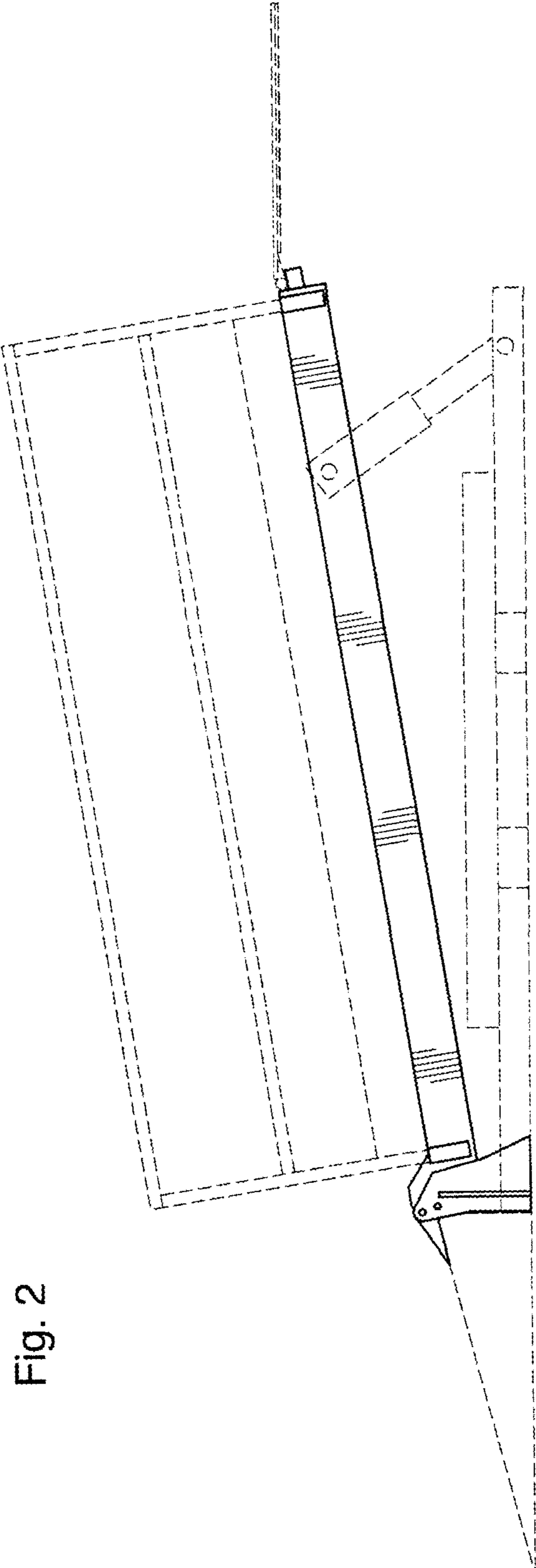


Fig. 2

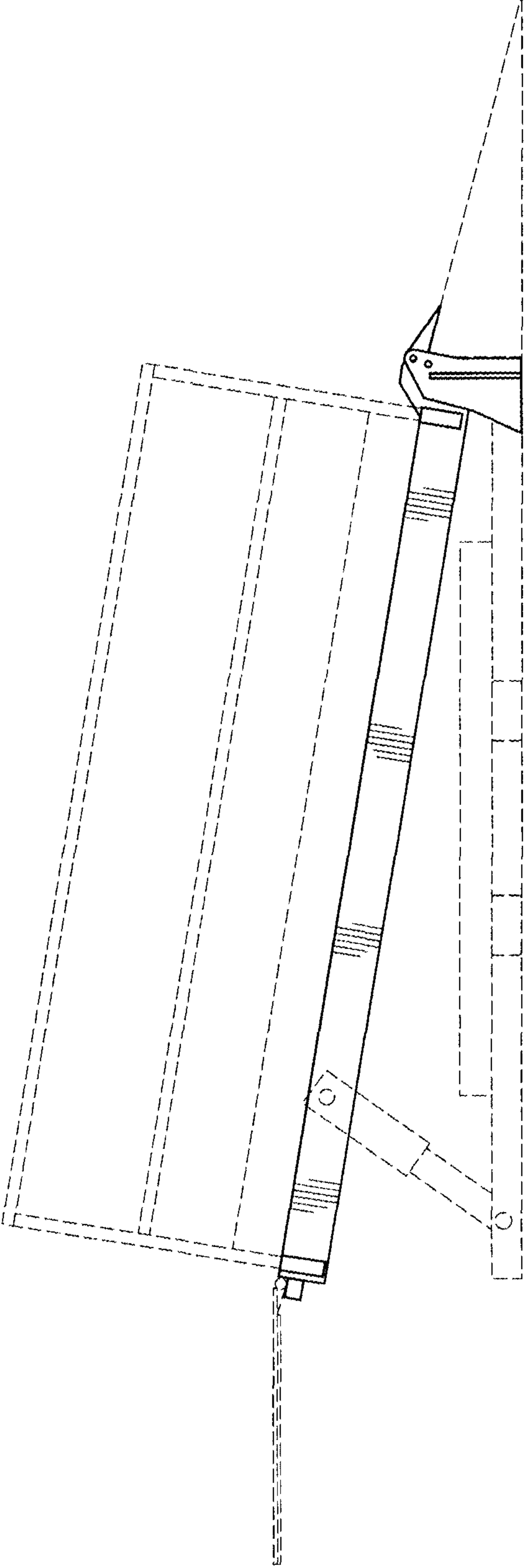


Fig. 3

Fig. 4

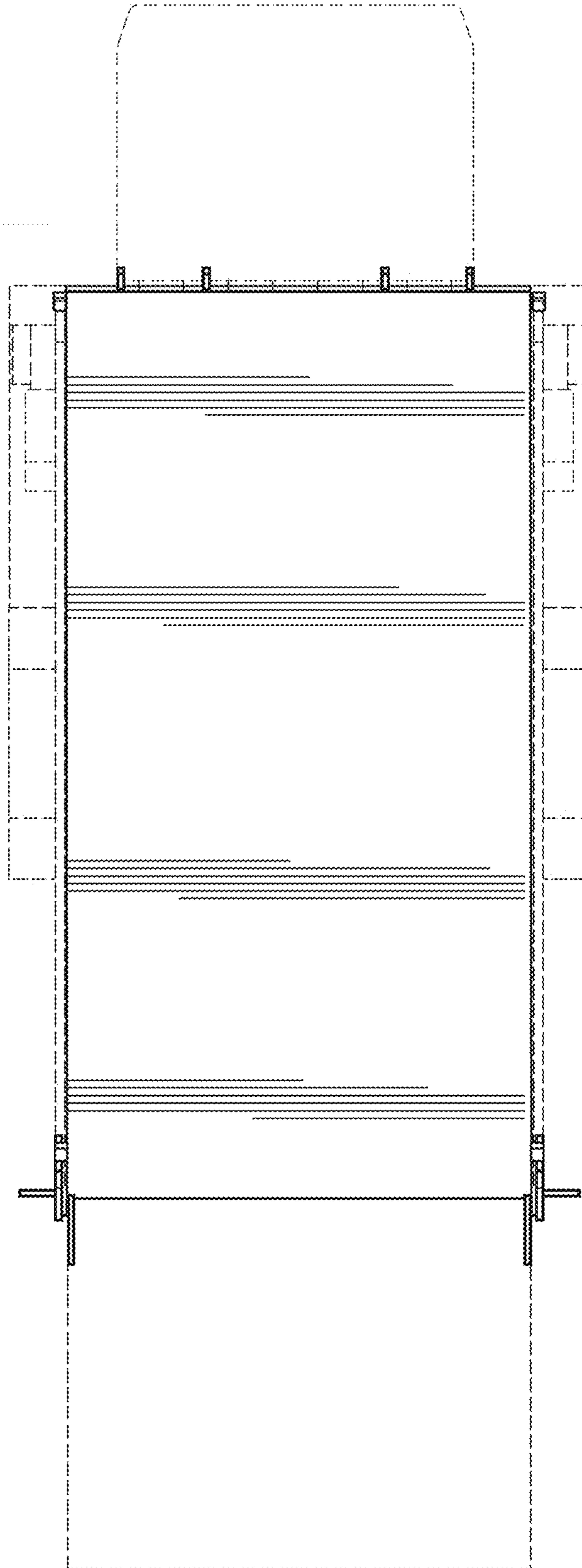


Fig. 6

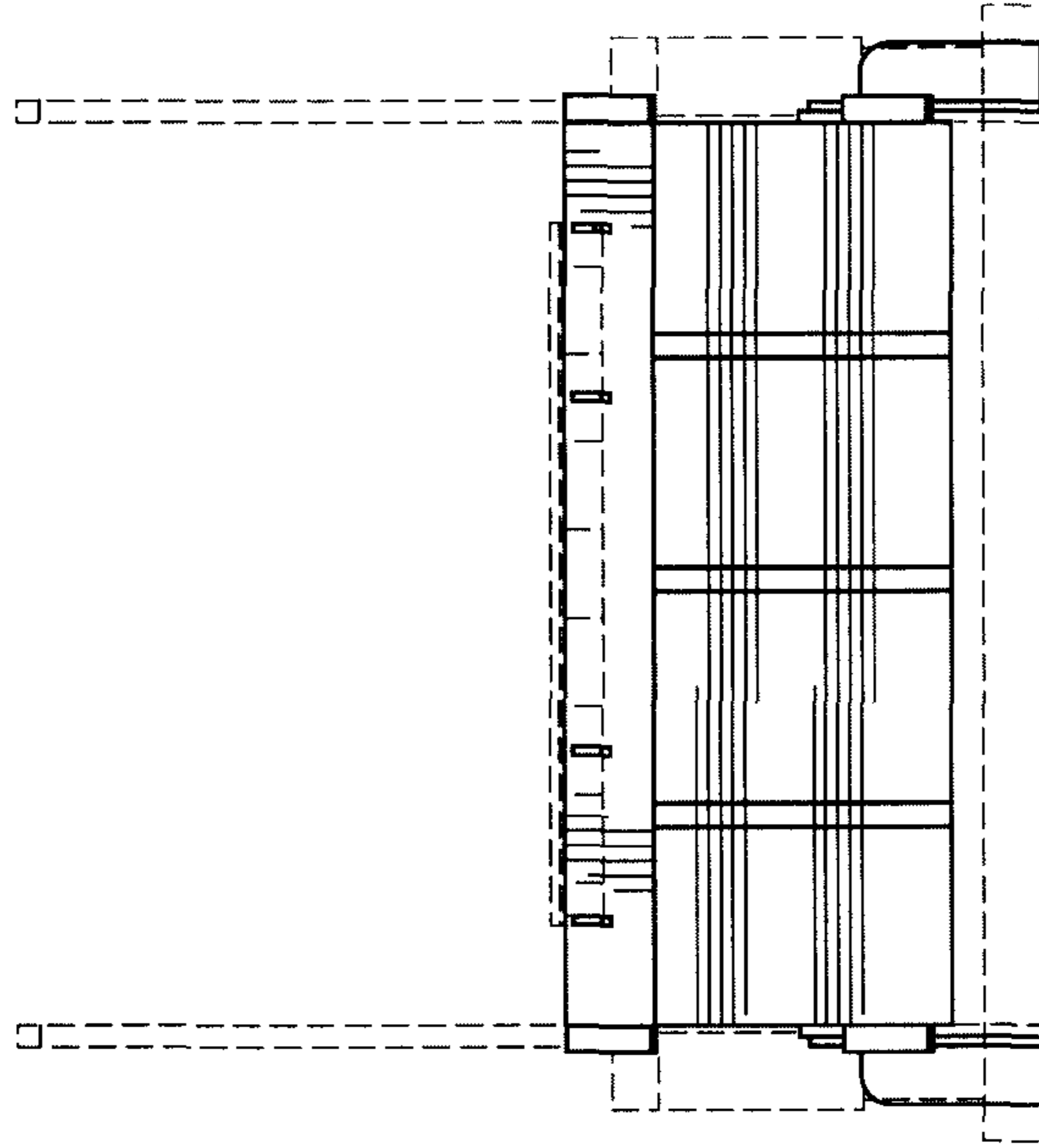
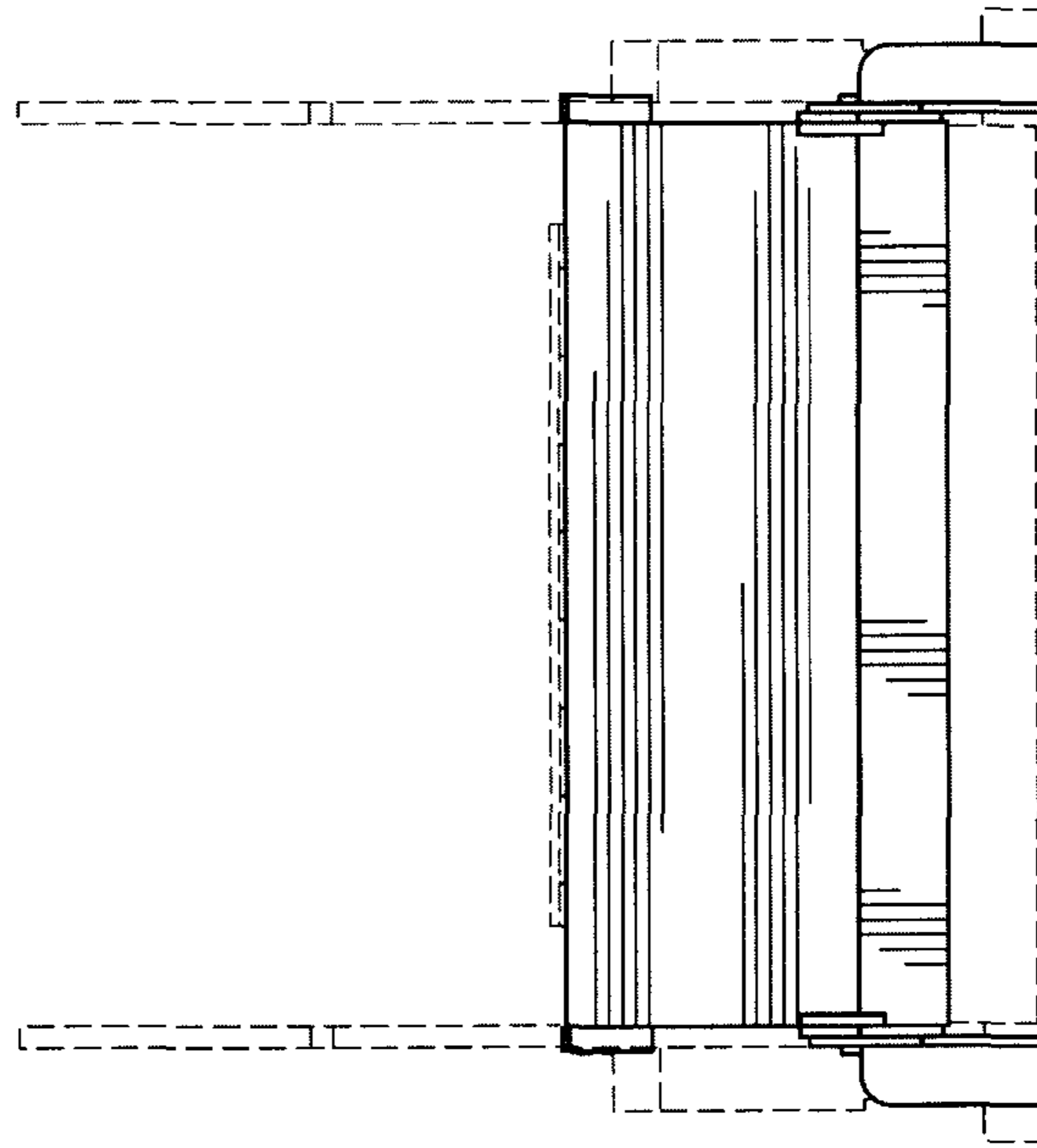


Fig. 5



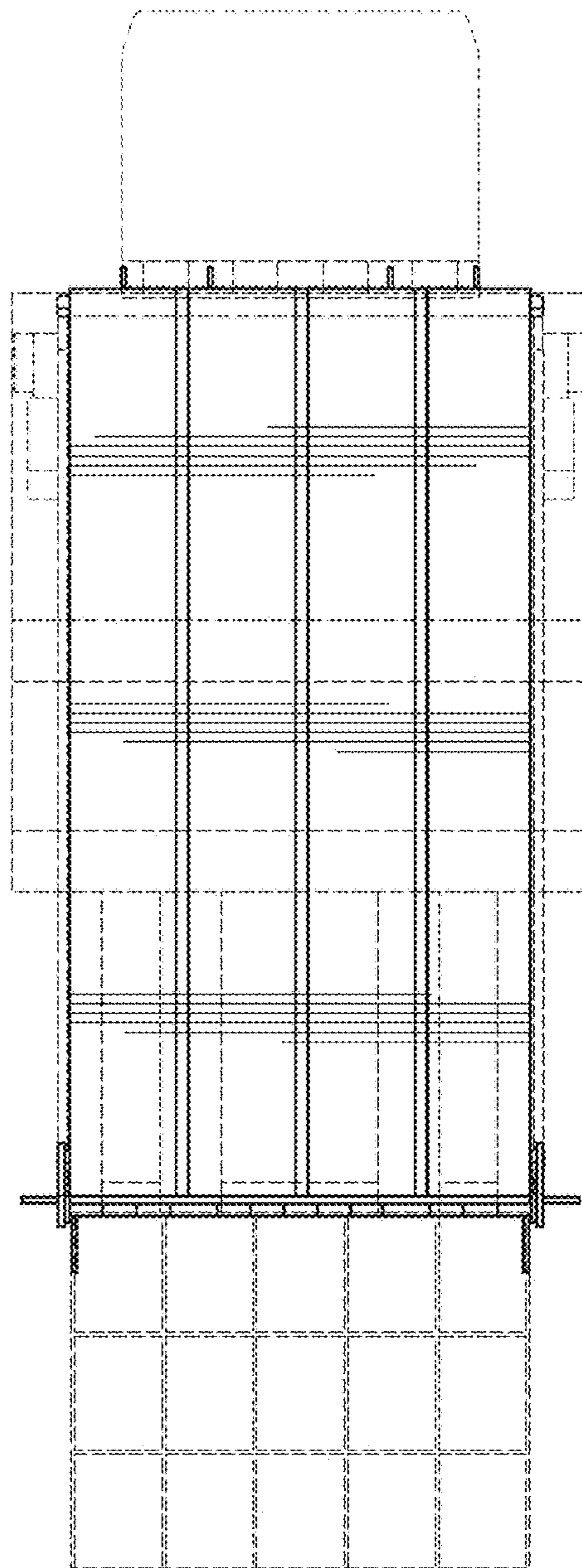


Fig. 7

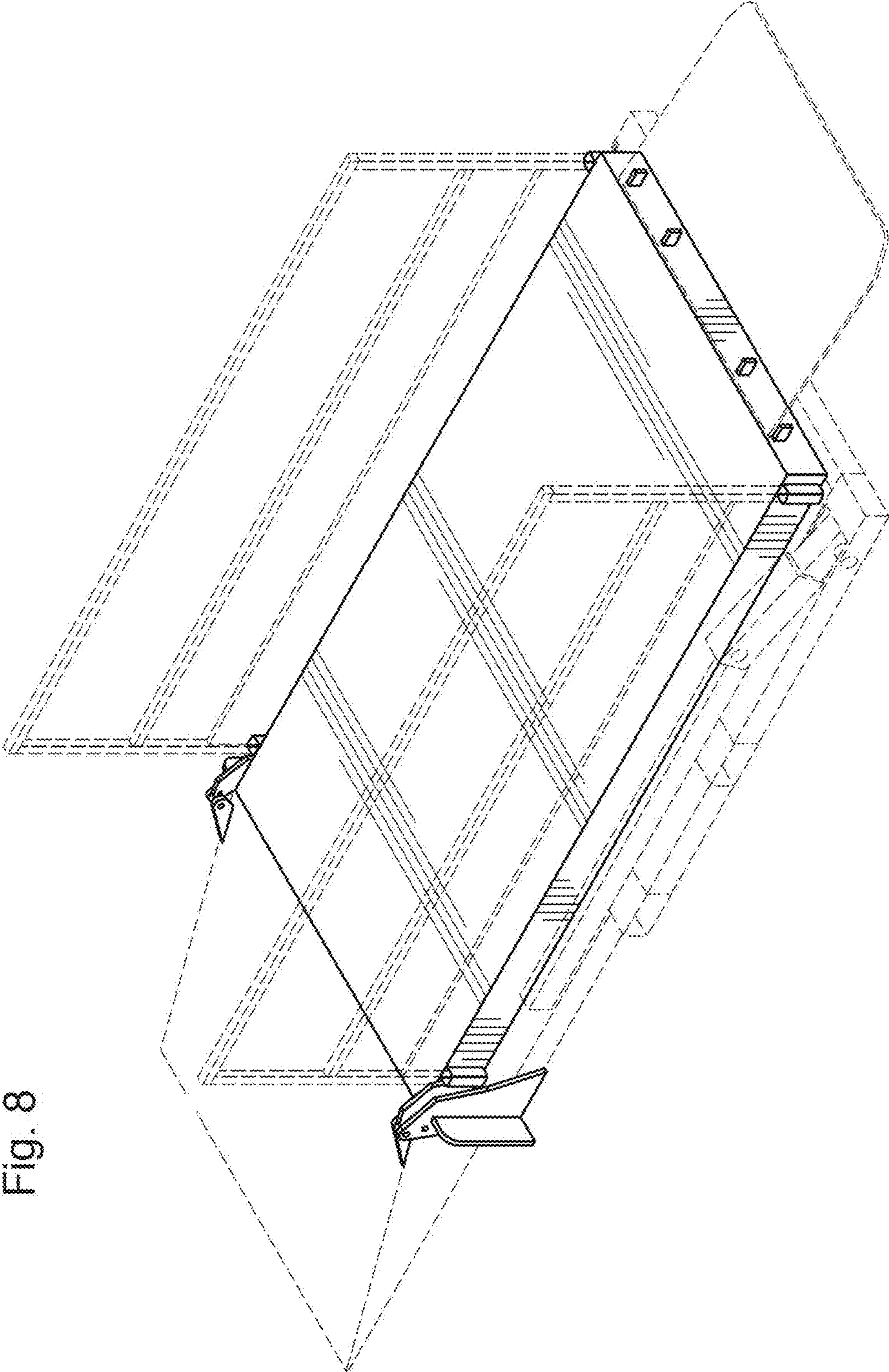


Fig. 8