



US00D802243S

(12) **United States Design Patent**
Qichen et al.

(10) **Patent No.:** **US D802,243 S**

(45) **Date of Patent:** **** Nov. 7, 2017**

- (54) **PALLET TRUCK**
- (71) Applicant: **Big Lift, LLC**, Lombard, IL (US)
- (72) Inventors: **Ma Qichen**, Hangzhou (CN); **Xu Hongpeng**, Hangzhou (CN); **Liu Shunli**, Hangzhou (CN); **Lin Zuqian**, Hangzhou (CN); **Xu Minghui**, Hangzhou (CN)
- (73) Assignee: **BIG LIFT, LLC**, Lombard, IL (US)
- (**) Term: **15 Years**
- (21) Appl. No.: **29/565,791**
- (22) Filed: **May 24, 2016**
- (51) **LOC (10) Cl.** **12-05**
- (52) **U.S. Cl.**
USPC **D34/28; D34/34**
- (58) **Field of Classification Search**
USPC D34/12, 16, 17, 21, 23, 24, 25, 28, 34, D34/38, 35; 414/2, 7, 595, 574, 592, 414/685, 679, 631; 187/231, 222, 414, 187/224, 237, 238; 180/89.12, 299, 325, 180/315; 280/43.12, 638, 87.041
CPC B66F 5/02; B66F 13/00; B66F 3/22; B66F 3/24; B66F 3/30; B66F 5/04; B66F 7/246; B62B 3/02; B62B 3/0612
See application file for complete search history.

- 8,011,677 B1 * 9/2011 Ellington B62B 3/06 280/43.12
 - 8,075,244 B2 * 12/2011 Ellington B62B 3/0606 187/237
 - D692,202 S * 10/2013 Feiquan D34/34
 - D692,203 S * 10/2013 Feiquan D34/34
 - D692,204 S * 10/2013 Feiquan D34/34
 - 8,833,736 B2 * 9/2014 Feiquan B66F 9/065 414/642
 - D754,415 S * 4/2016 Liu D34/34
- (Continued)

- (56) **References Cited**
U.S. PATENT DOCUMENTS
3,982,767 A * 9/1976 Larsson B62B 3/06 280/43.12
4,669,561 A * 6/1987 Sheen B62B 3/0612 D34/28
D401,032 S * 11/1998 Marcel D34/35
7,114,906 B1 * 10/2006 Baumgarner B62B 3/06 280/43.12
7,988,405 B2 * 8/2011 Ellington B62B 3/0606 280/43.12

OTHER PUBLICATIONS

Bigjoeforklifts "P33 Semi-Electric Pallet Jack", http://www.bigjoeforklifts.com/pallet_trucks_P33.html. Jun. 8, 2017. shown in p. 1, Item # P33.*

Primary Examiner — Cynthia Ramirez
Assistant Examiner — Michael Maharajh
(74) *Attorney, Agent, or Firm* — Cook Alex Ltd.

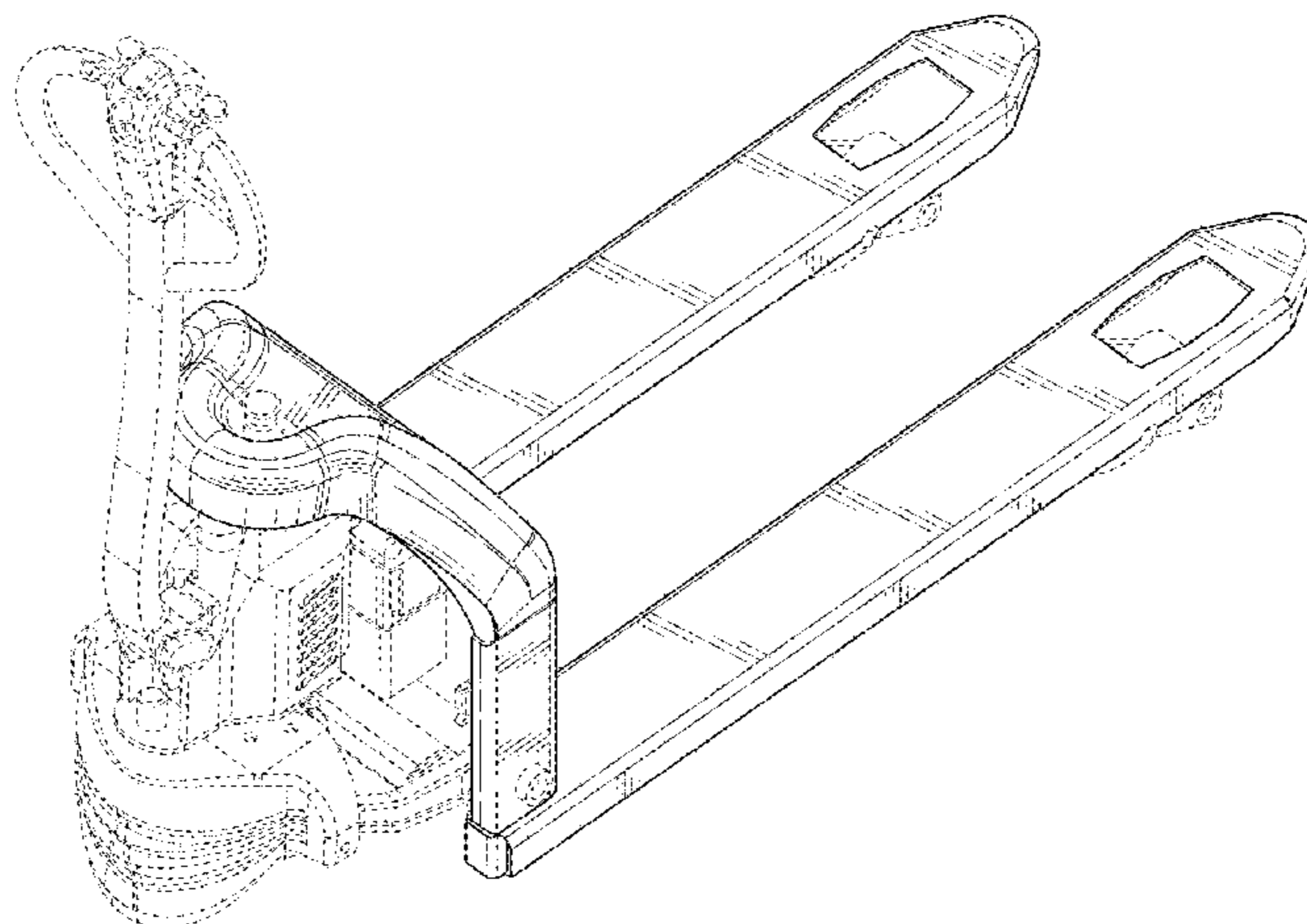
(57) **CLAIM**

We claim the ornamental design for a pallet truck, as shown and described.

DESCRIPTION

FIG. 1 is a rear right perspective view of a pallet truck according to our new design;
FIG. 2 is a front right perspective view thereof;
FIG. 3 is a front left perspective view thereof;
FIG. 4 is a rear left perspective view thereof;
FIG. 5 is a rear elevational view thereof;
FIG. 6 is a right side elevational view thereof;
FIG. 7 is a front elevational view thereof;
FIG. 8 is a left side elevational view thereof;
FIG. 9 is a top plan view thereof; and,
FIG. 10 is a bottom plan view thereof.
The broken lines in the drawings are included for the purpose of illustrating portions of the pallet truck and form no part of the claimed design.

1 Claim, 10 Drawing Sheets



(56)

References Cited

U.S. PATENT DOCUMENTS

D767,236 S * 9/2016 Meng D34/34
D767,847 S * 9/2016 Liu D34/34
D770,719 S * 11/2016 He D34/34
2010/0295261 A1* 11/2010 Ellington B62B 3/0612
280/43.12
2017/0050832 A1* 2/2017 Newell B62B 3/0612

* cited by examiner

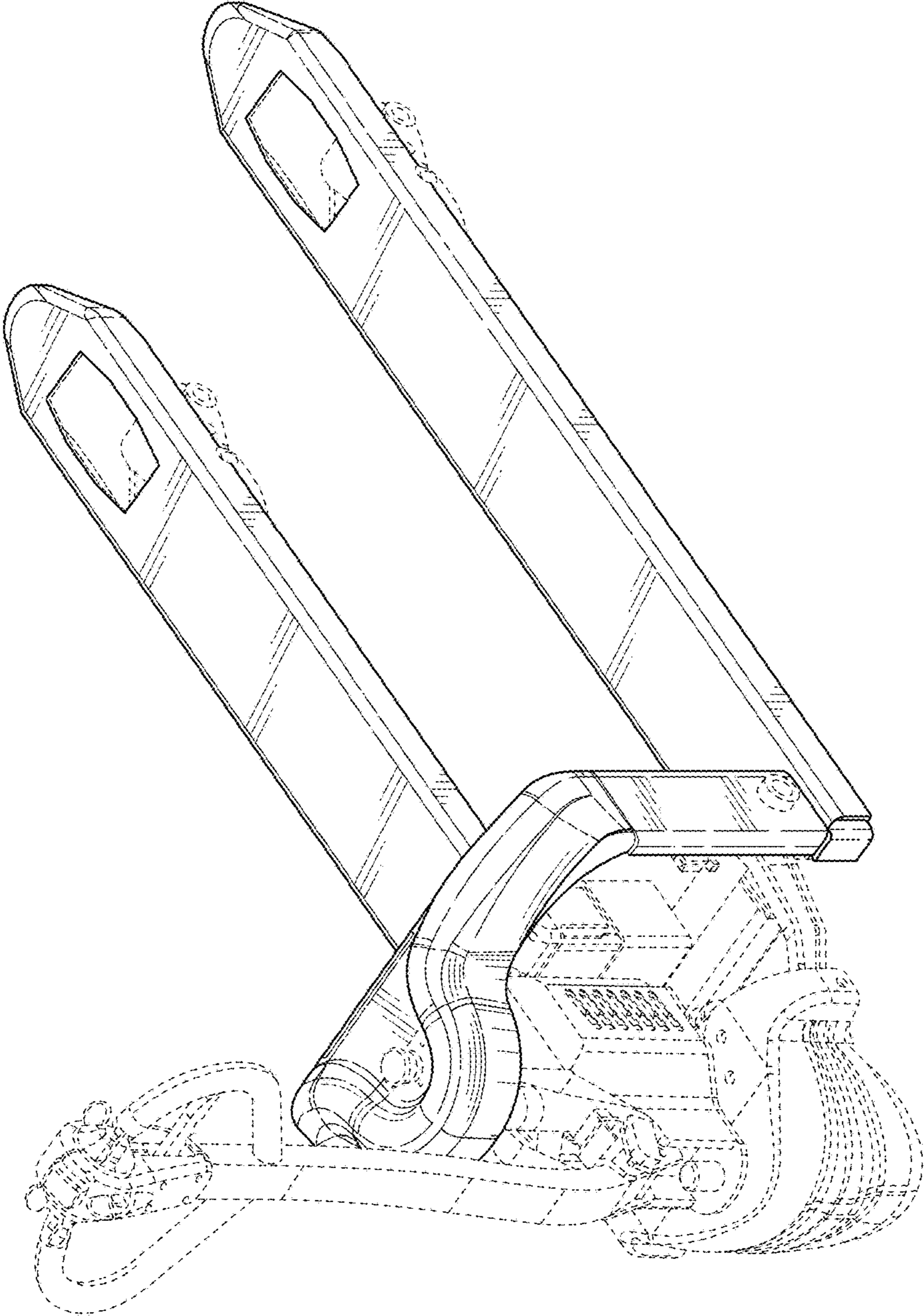


FIG. 1

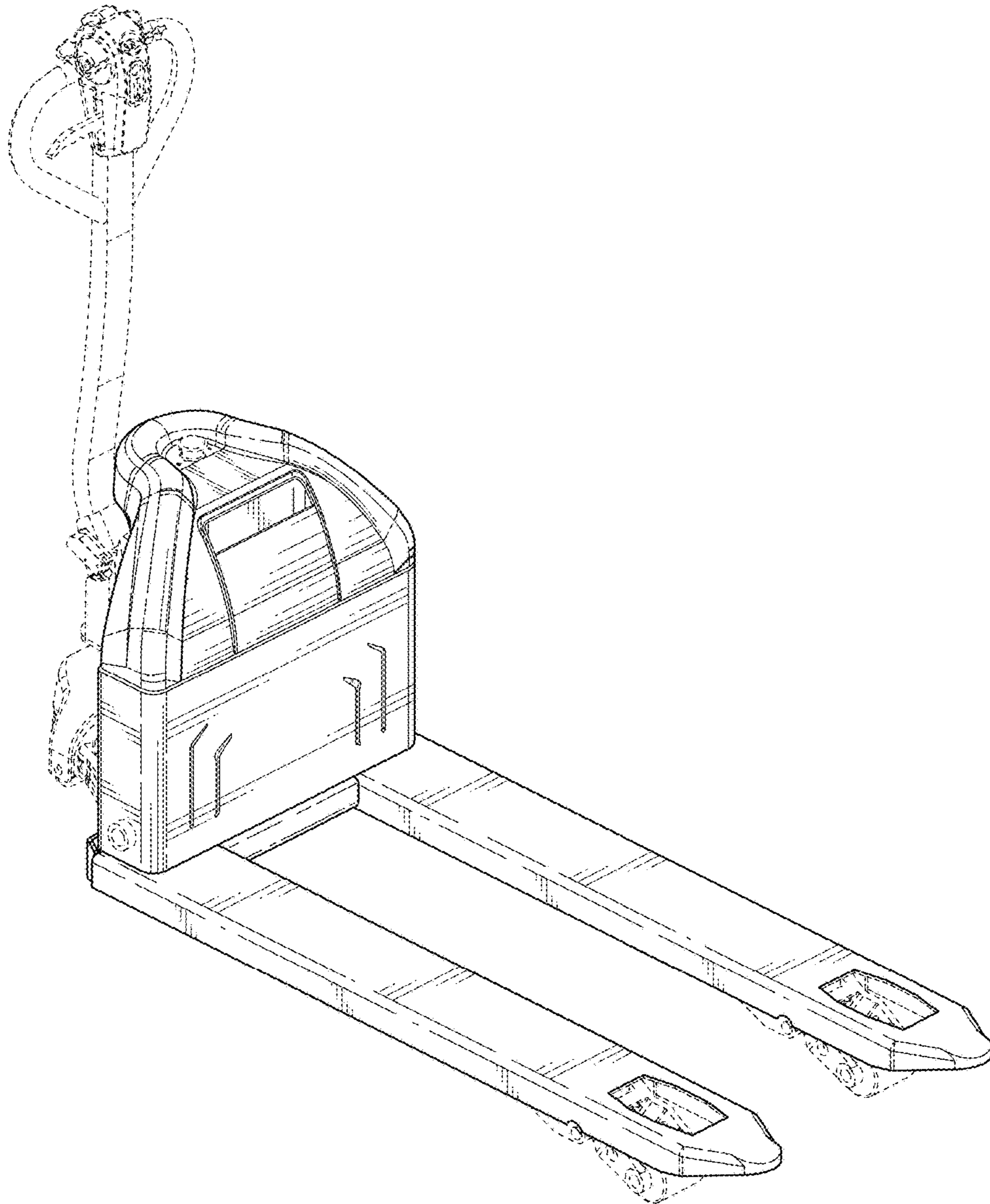


FIG. 2

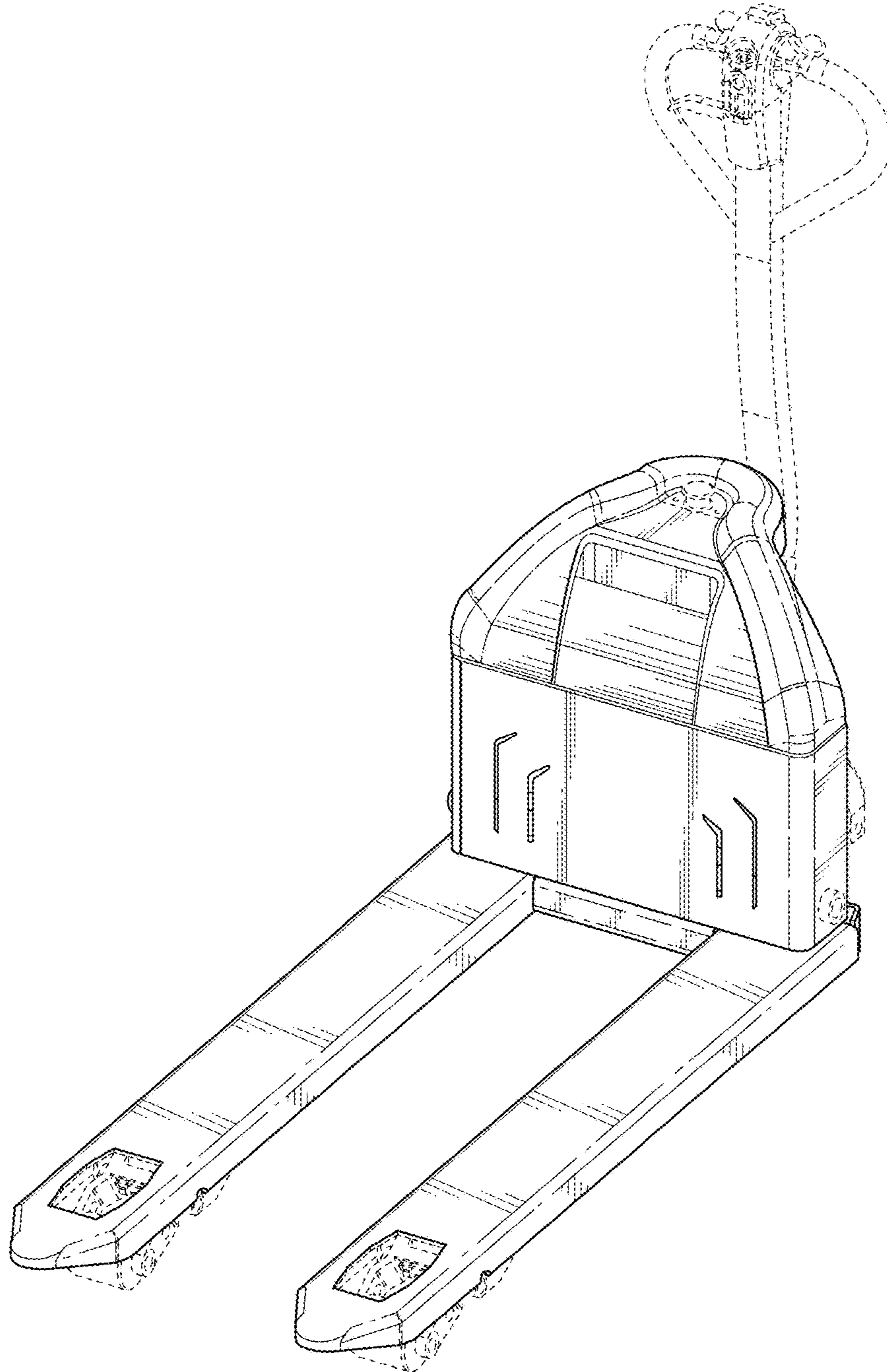


FIG. 3

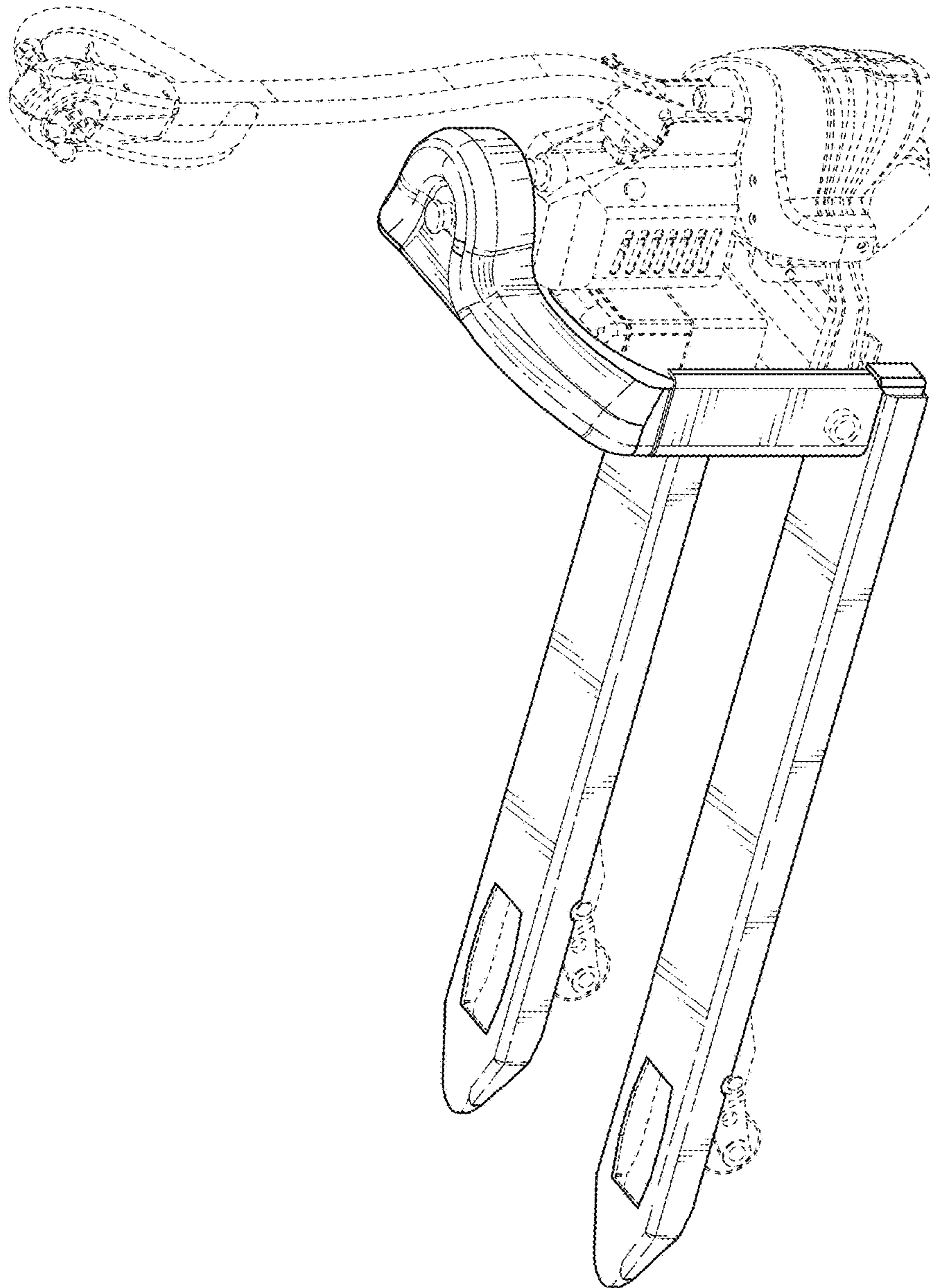


FIG. 4

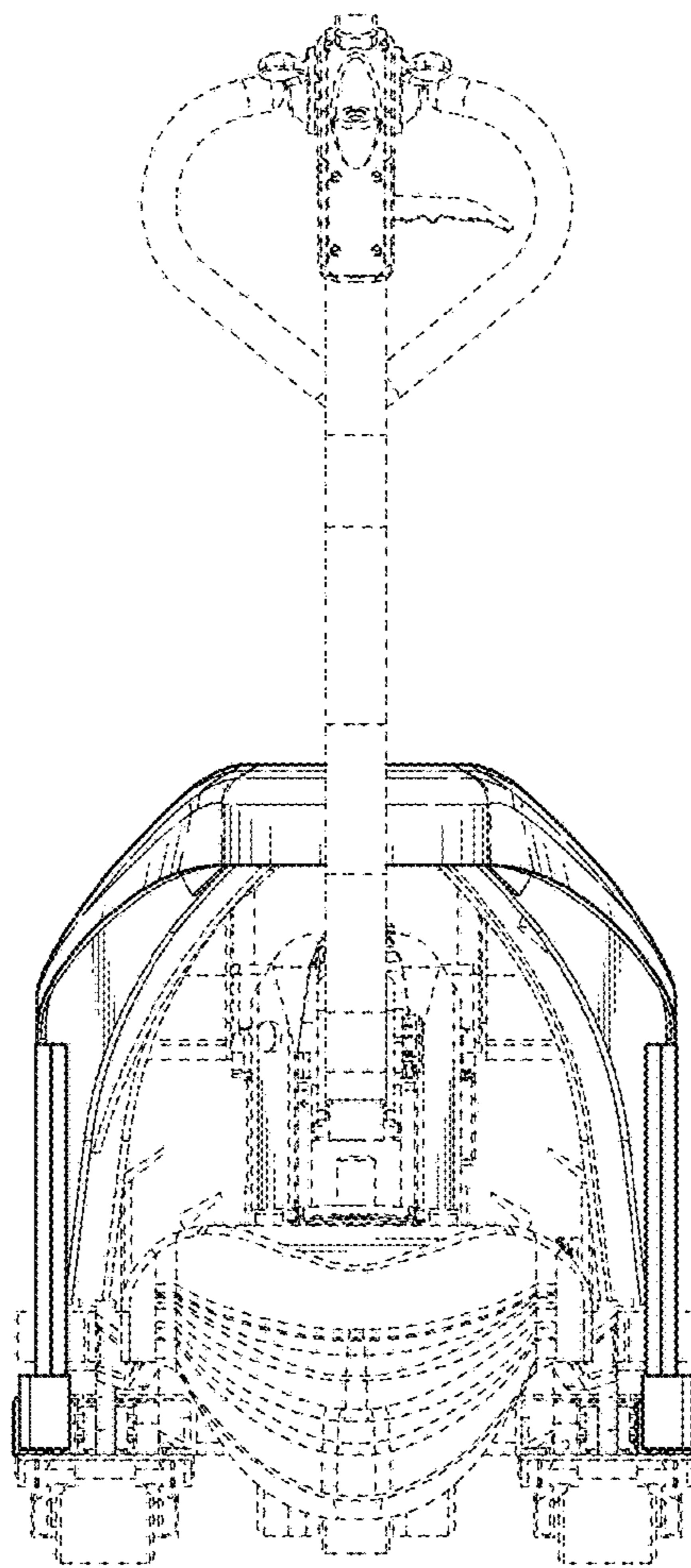


FIG. 5

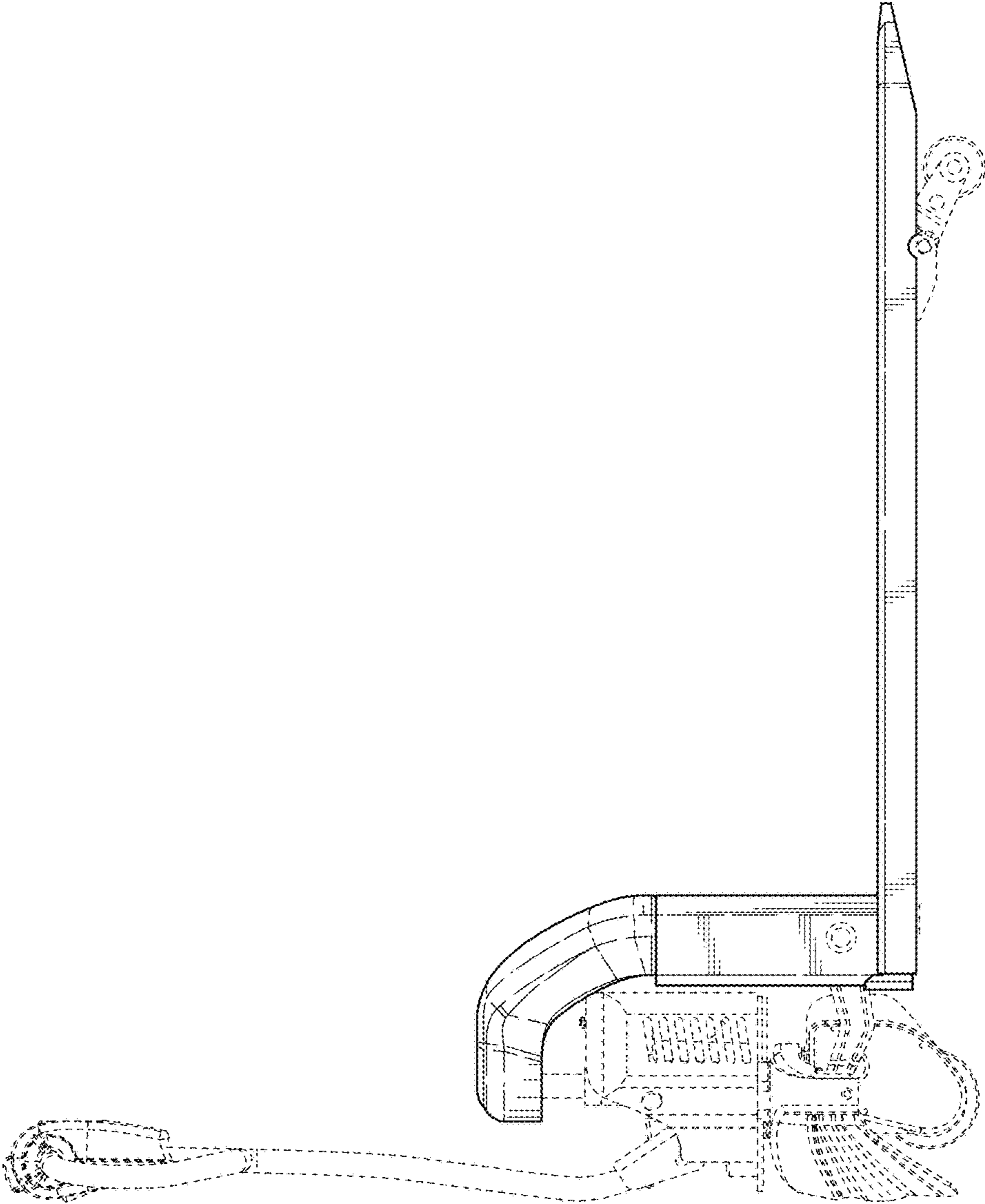


FIG. 6

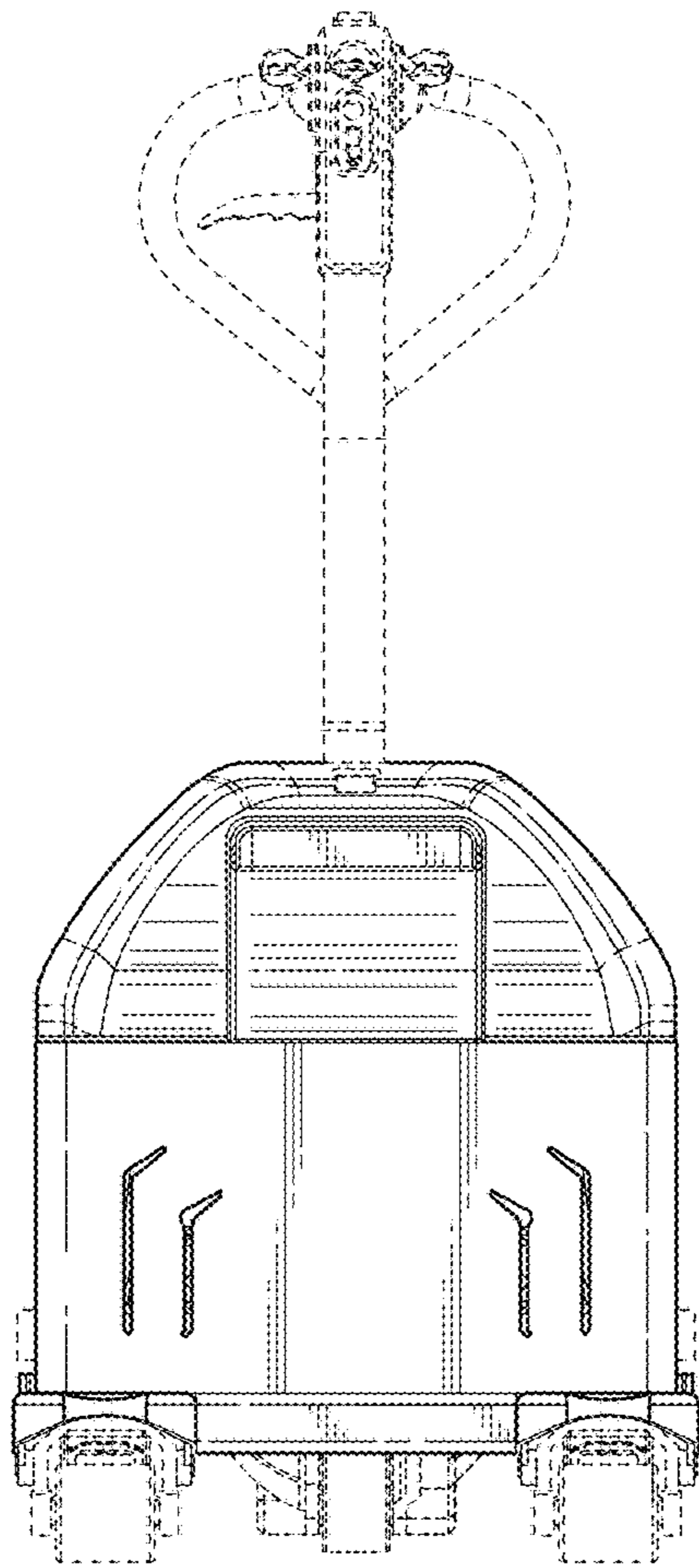


FIG. 7

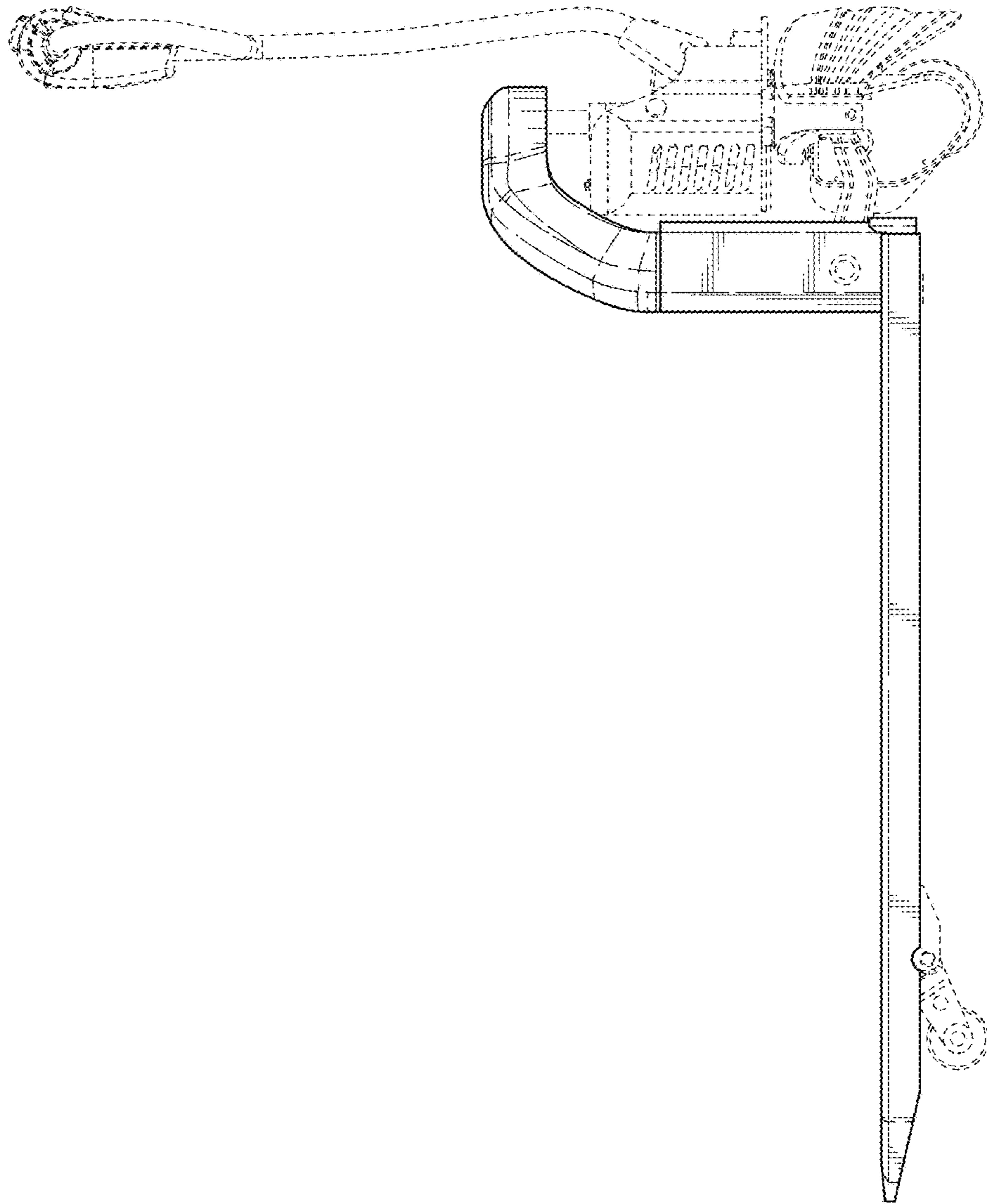


FIG. 8

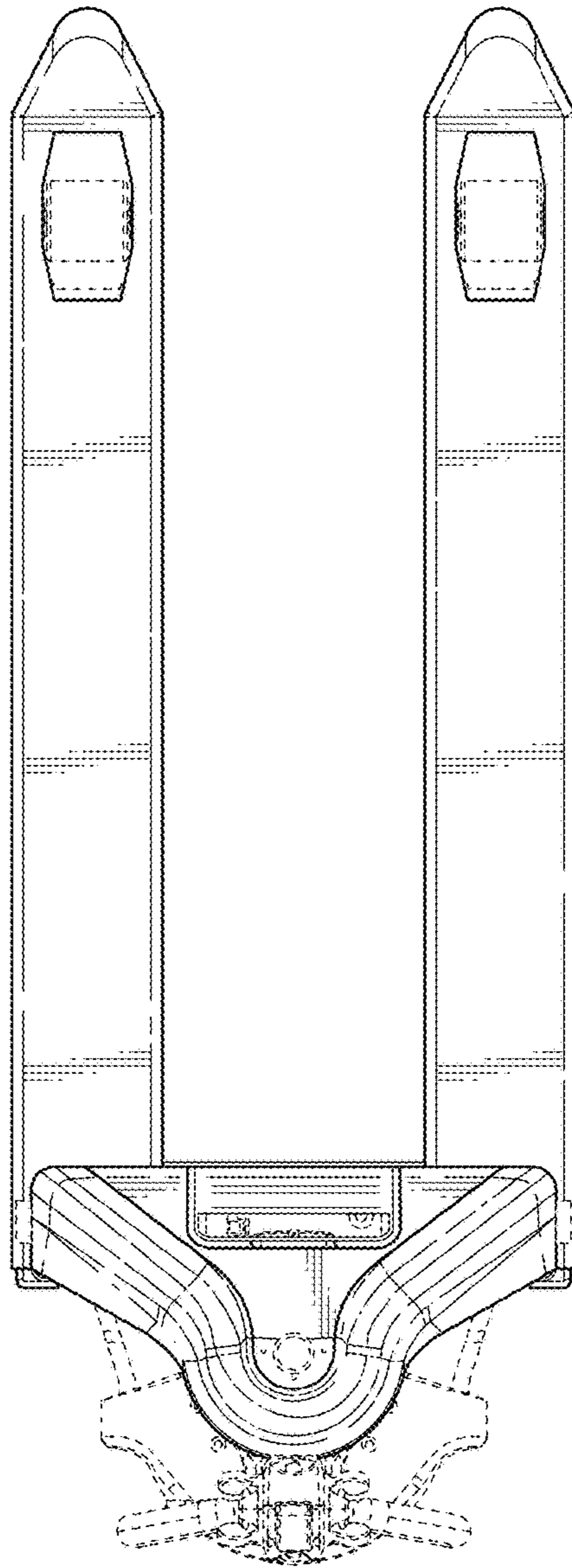


FIG. 9

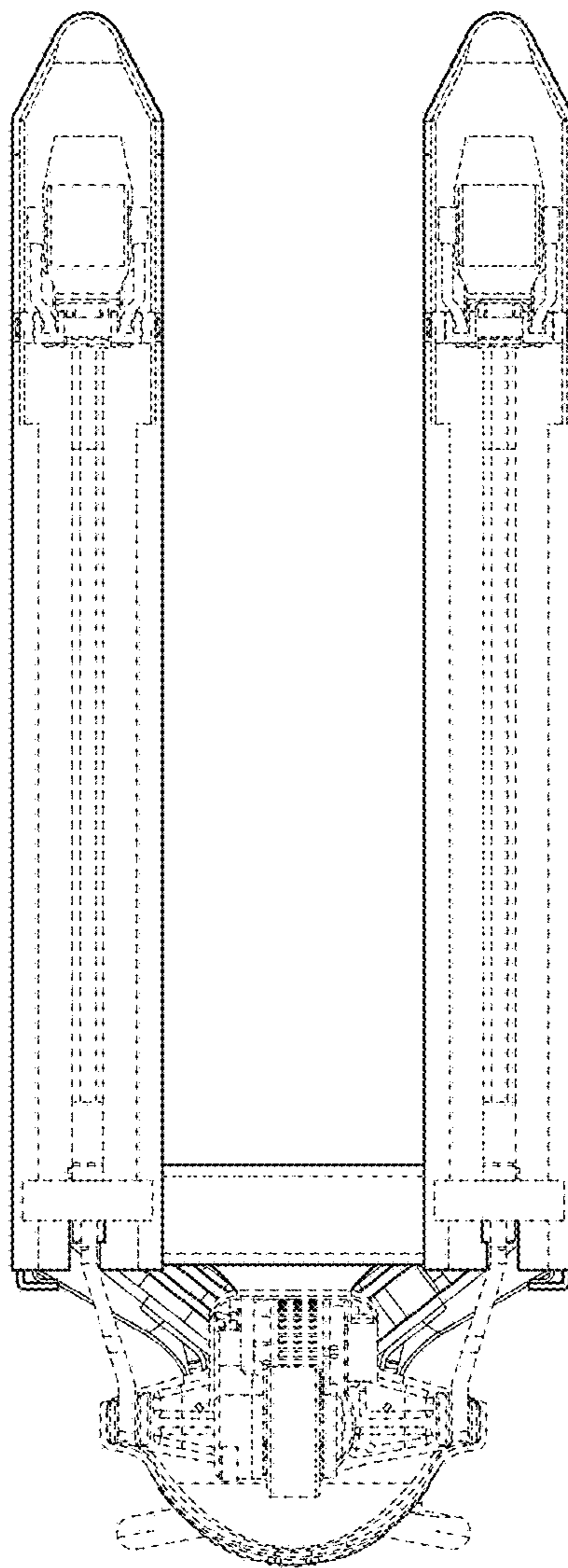


FIG. 10