



US00D802241S

(12) **United States Design Patent** (10) **Patent No.:** **US D802,241 S**  
**Hlavac** (45) **Date of Patent:** **\*\* Nov. 7, 2017**

(54) **CART FOR A WATER JETTING MACHINE**

(71) Applicant: **Patriot Sewer Equipment & Repair, LLC**, Riverside, CA (US)

(72) Inventor: **Thomas Aaron Hlavac**, Riverside, CA (US)

(73) Assignee: **Patriot Sewer Equipment & Repair, LLC**, Riverside, CA (US)

(\*\*) Term: **15 Years**

(21) Appl. No.: **29/577,924**

(22) Filed: **Sep. 16, 2016**

(51) **LOC (10) Cl.** ..... **12-05**

(52) **U.S. Cl.**  
USPC ..... **D34/24**

(58) **Field of Classification Search**  
USPC ..... 280/33.991, 33.997, 47.24, 47.27, 47.28, 280/47.29, 47.34, 652, 79.11, 79.2, 79.4, 280/47.18, 47.19; D34/12-27  
CPC ..... B25H 1/04; B65G 65/00; B62B 5/0003  
See application file for complete search history.

(56) **References Cited**

**U.S. PATENT DOCUMENTS**

D408,606	S	*	4/1999	Hurt	.....	D34/24
D481,512	S	*	10/2003	Lee	.....	B62B 1/12
						D34/24
D485,038	S	*	1/2004	Zimmer	.....	D34/24
6,851,685	B2	*	2/2005	Koenig	.....	B62B 1/10
						280/47.27
D570,069	S	*	5/2008	Leonard	.....	D34/24
D638,191	S	*	5/2011	Goth	.....	D34/24
8,770,599	B1	*	7/2014	Kane	.....	F28G 15/02
						280/47.18
D715,511	S	*	10/2014	Okwumabua	.....	D34/12
2016/0325770	A1	*	11/2016	Wilcox	.....	B62B 1/14

**OTHER PUBLICATIONS**

Patriot.us "Hydro Jetter Machine", <http://www.patriot.us/sewer-hydro-jetter-service-and-restoration/> . Jul. 19, 2017. shown in p. 1.\*

\* cited by examiner

*Primary Examiner* — Cynthia Ramirez

*Assistant Examiner* — Michael Maharajh

(74) *Attorney, Agent, or Firm* — Michael D. Harris; SoCal IP Law Group LLP

(57) **CLAIM**

The ornamental design for a cart for a water jetting machine, as shown and described.

**DESCRIPTION**

A portion of the disclosure of this patent document contains material which is subject to copyright protection. This patent document may show and/or describe matter which is or may become trade dress of the owner. The copyright and trade dress owner has no objection to the facsimile reproduction by anyone of the patent disclosure as it appears in the Patent and Trademark Office patent files or records, but otherwise re-serves all copyright and trade dress rights whatsoever.

FIG. 1 is a perspective view of a cart for a water jetting machine.

FIG. 2 is a front elevation of a cart for a water jetting machine.

FIG. 3 is a rear elevation of a cart for a water jetting machine.

FIG. 4 is a left side elevation of a cart for a water jetting machine.

FIG. 5 is a right side elevation of a cart for a water jetting machine.

FIG. 6 is a bottom view of a cart for a water jetting machine; and,

FIG. 7 is a top view of a cart for a water jetting machine.

The broken lines shown in the figures are for the purpose of illustrating portions of the cart for a water jetting machine and form no part of the claimed design.

**1 Claim, 6 Drawing Sheets**

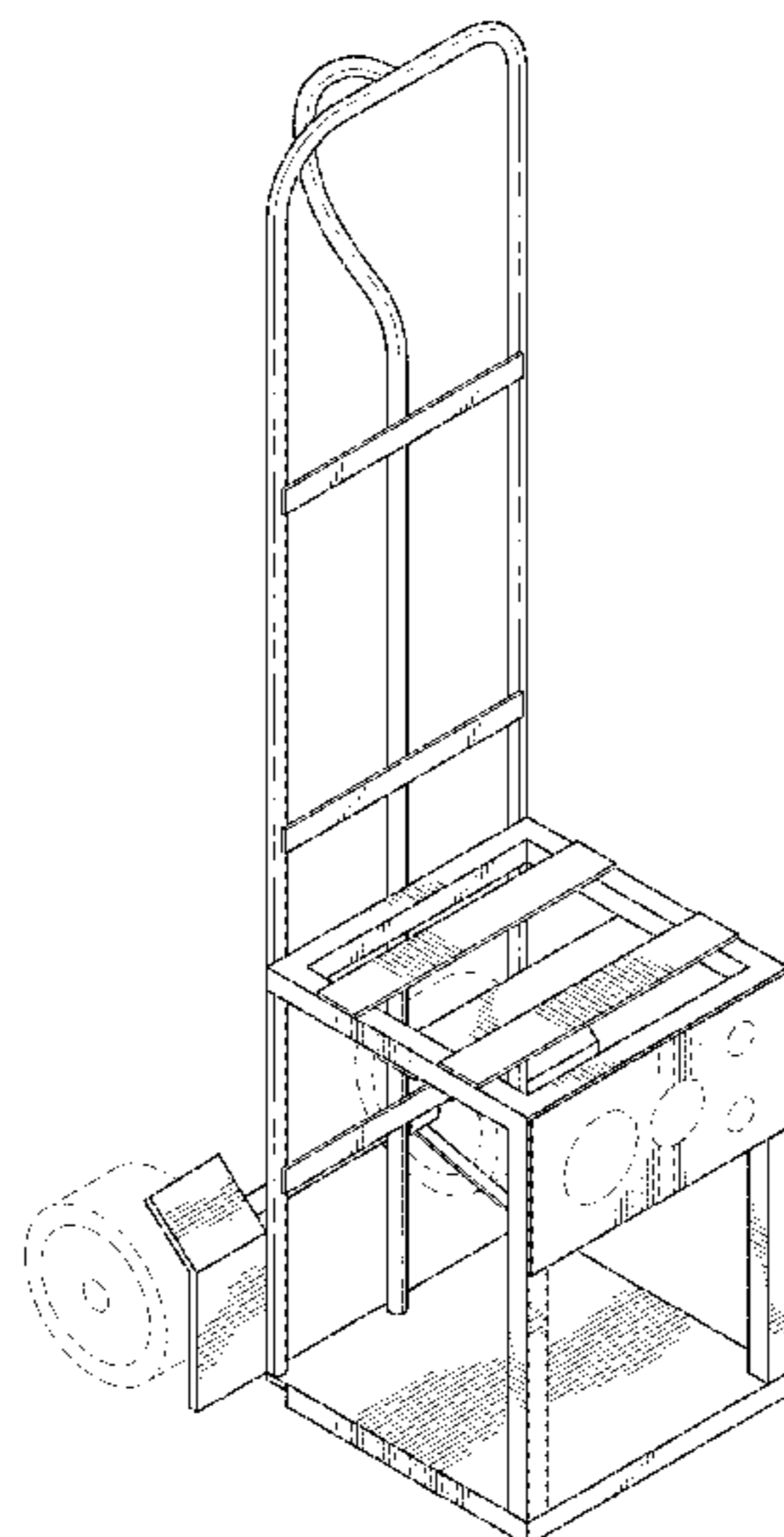
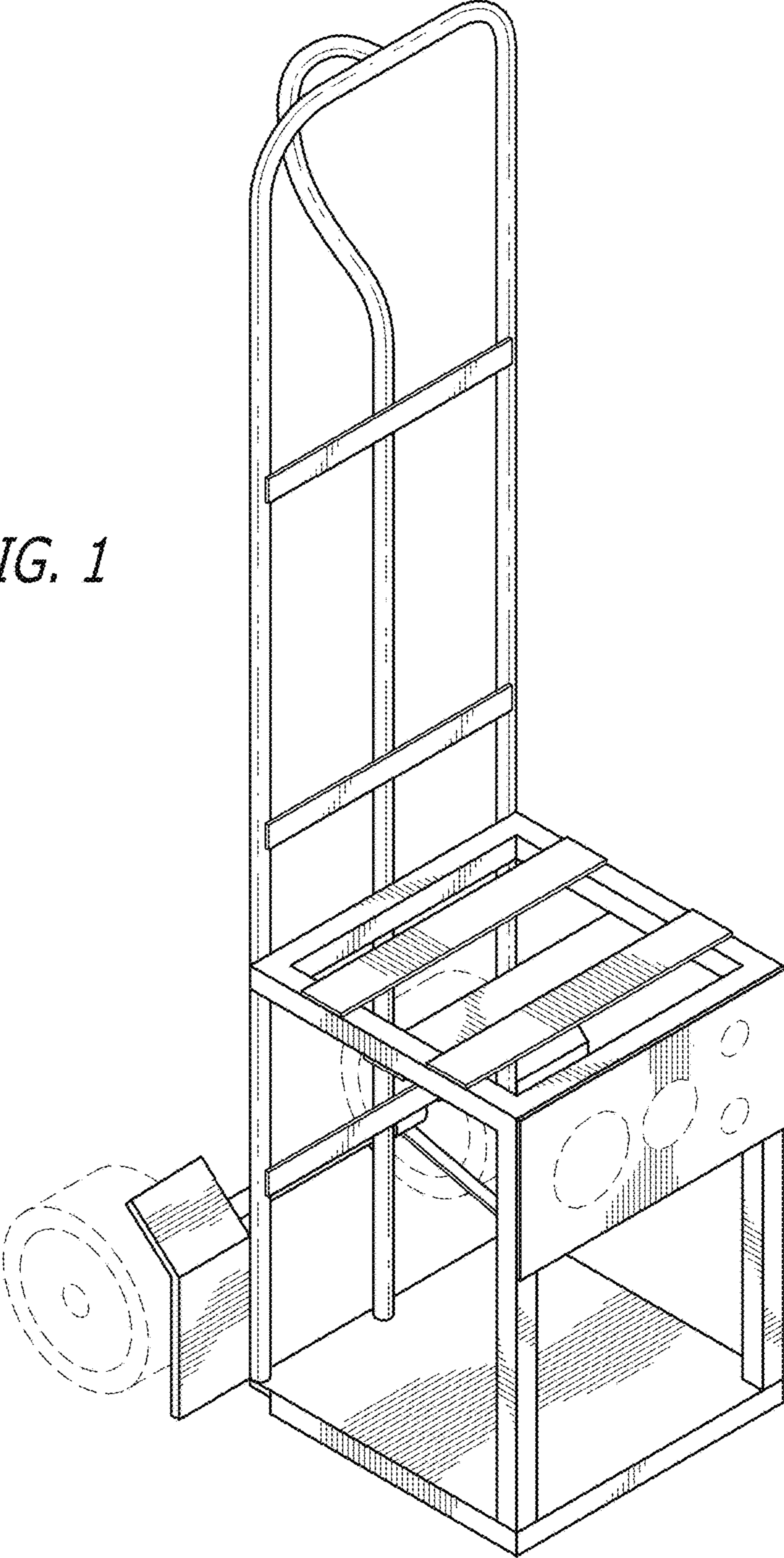
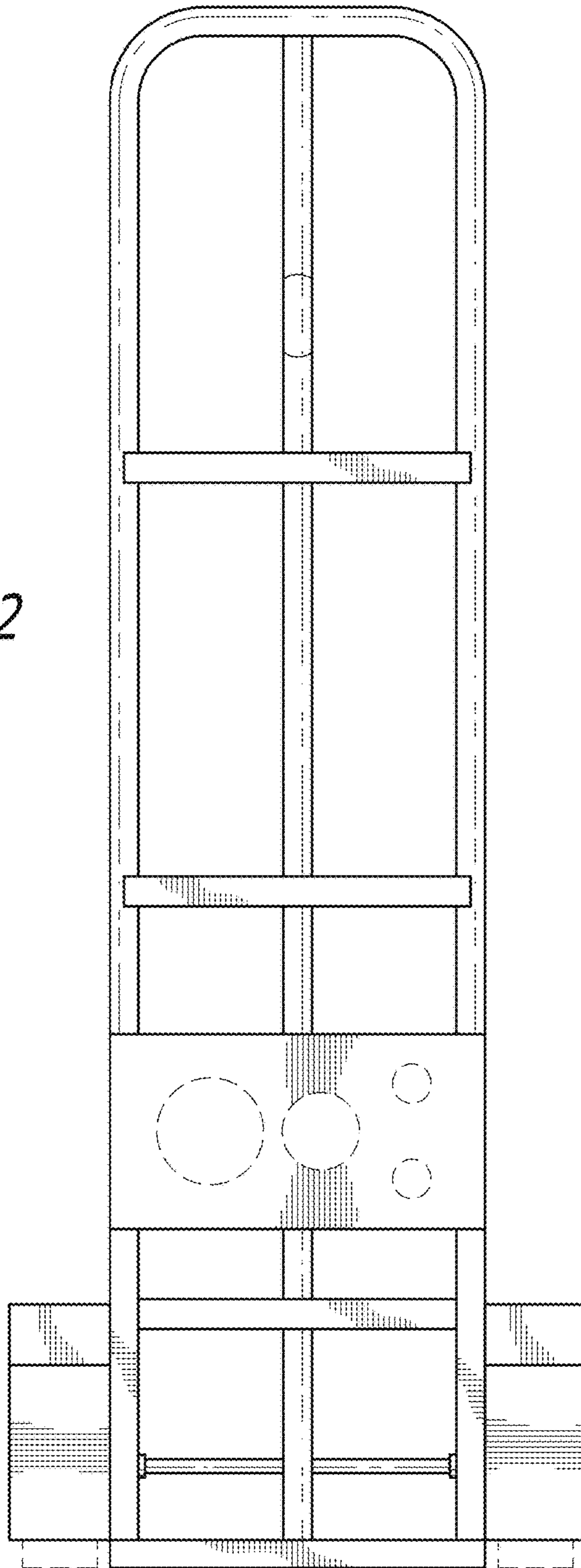


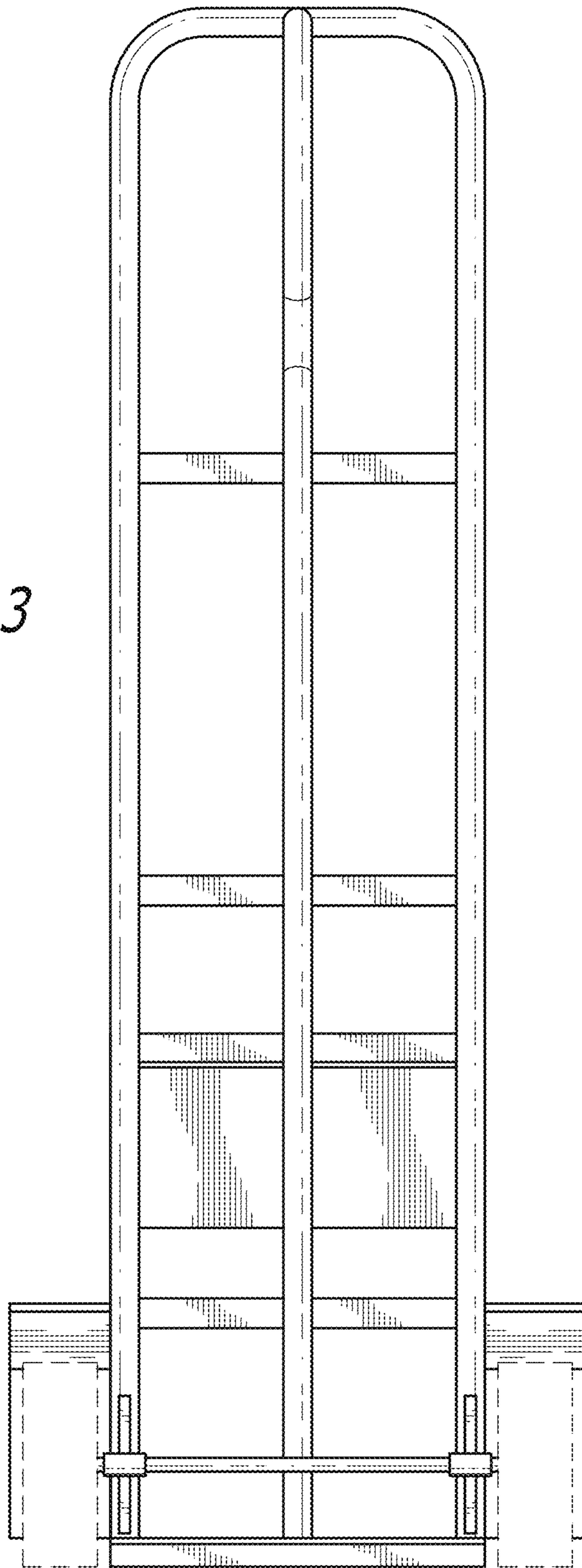
FIG. 1



*FIG. 2*



*FIG. 3*



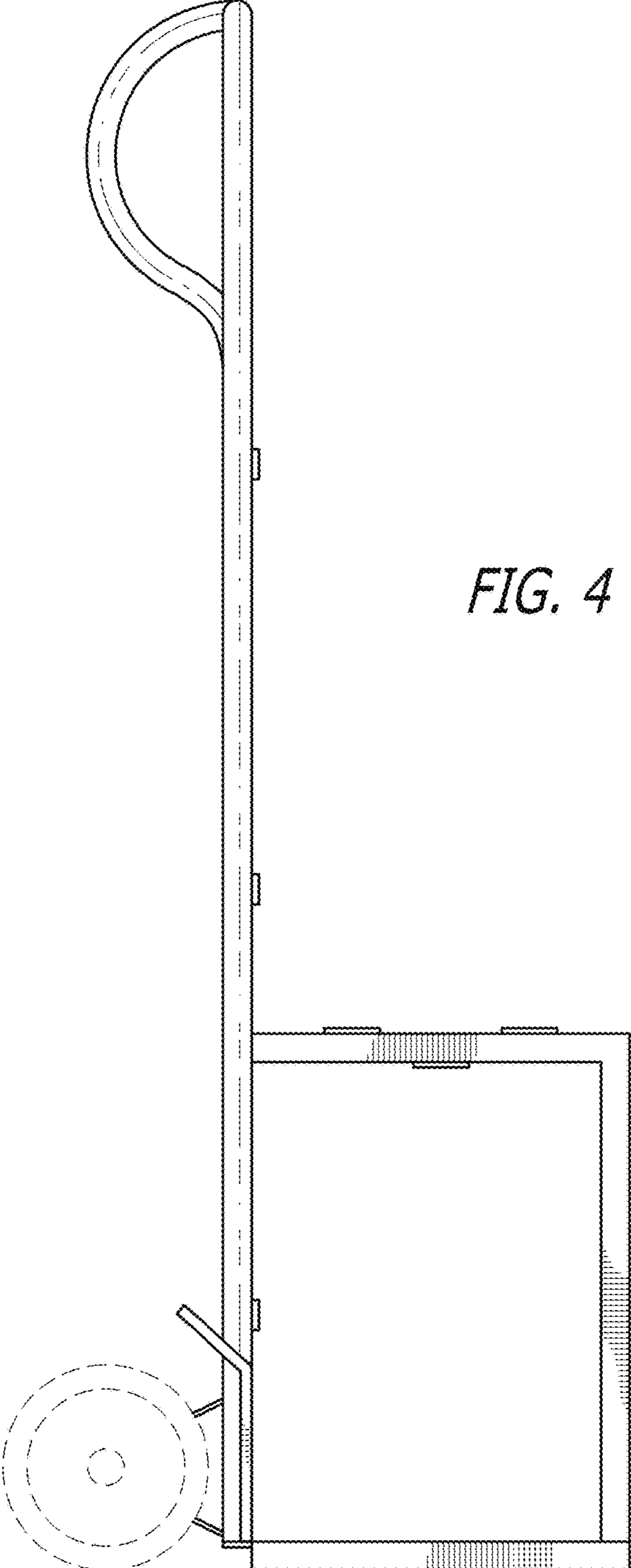
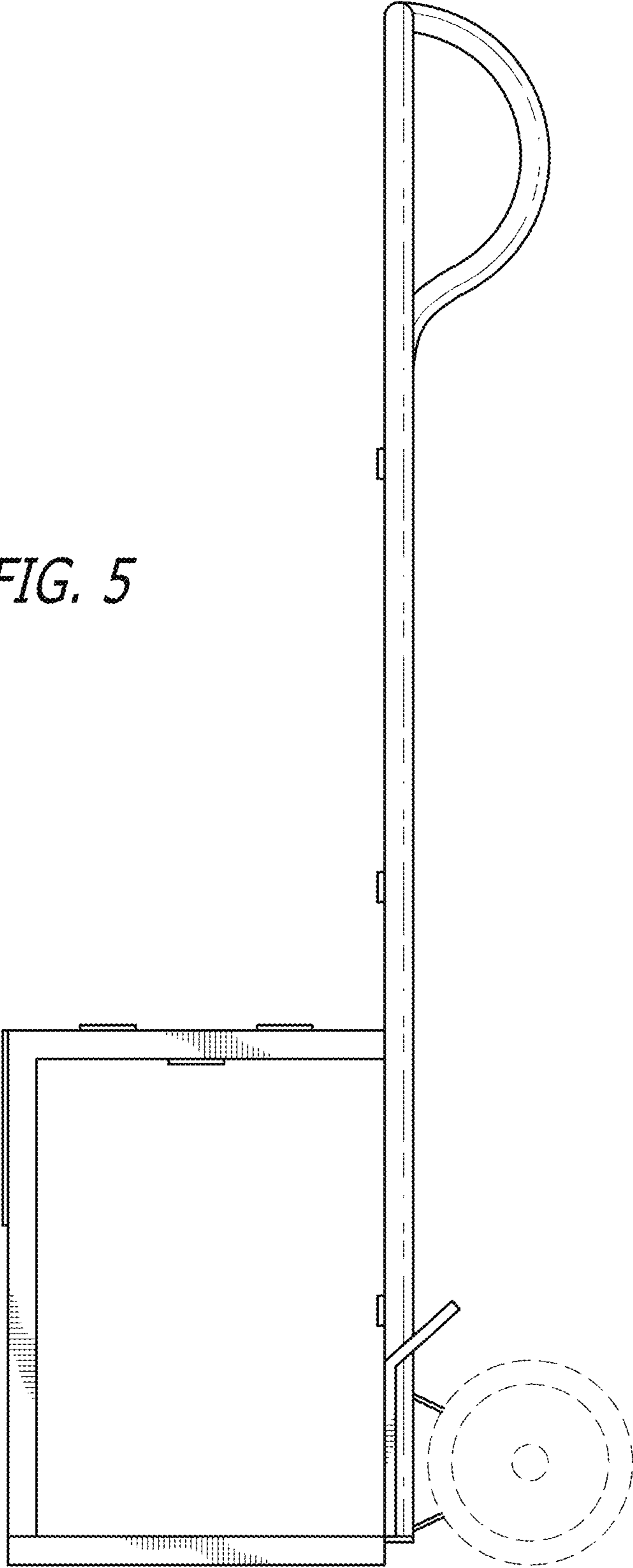
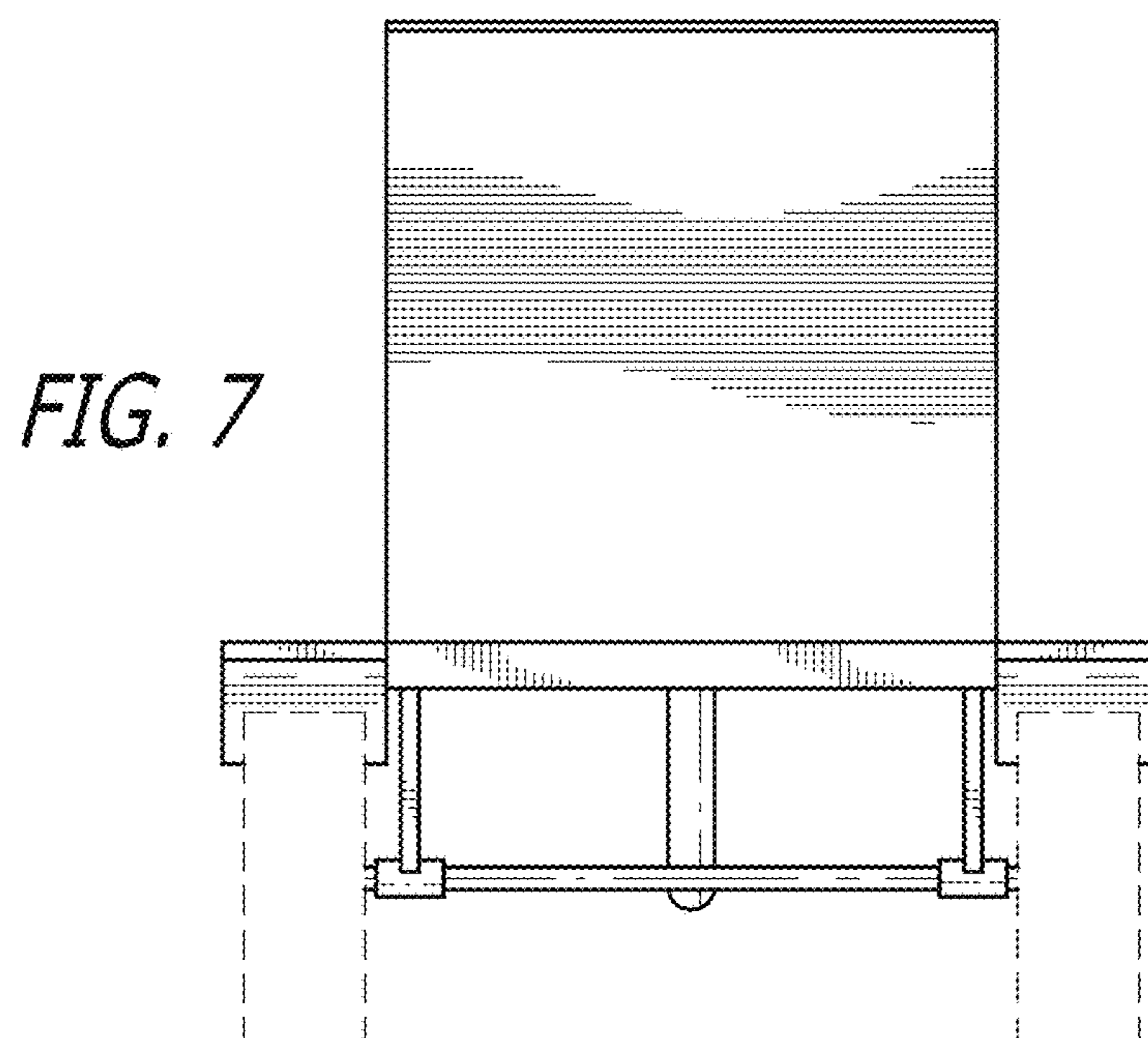
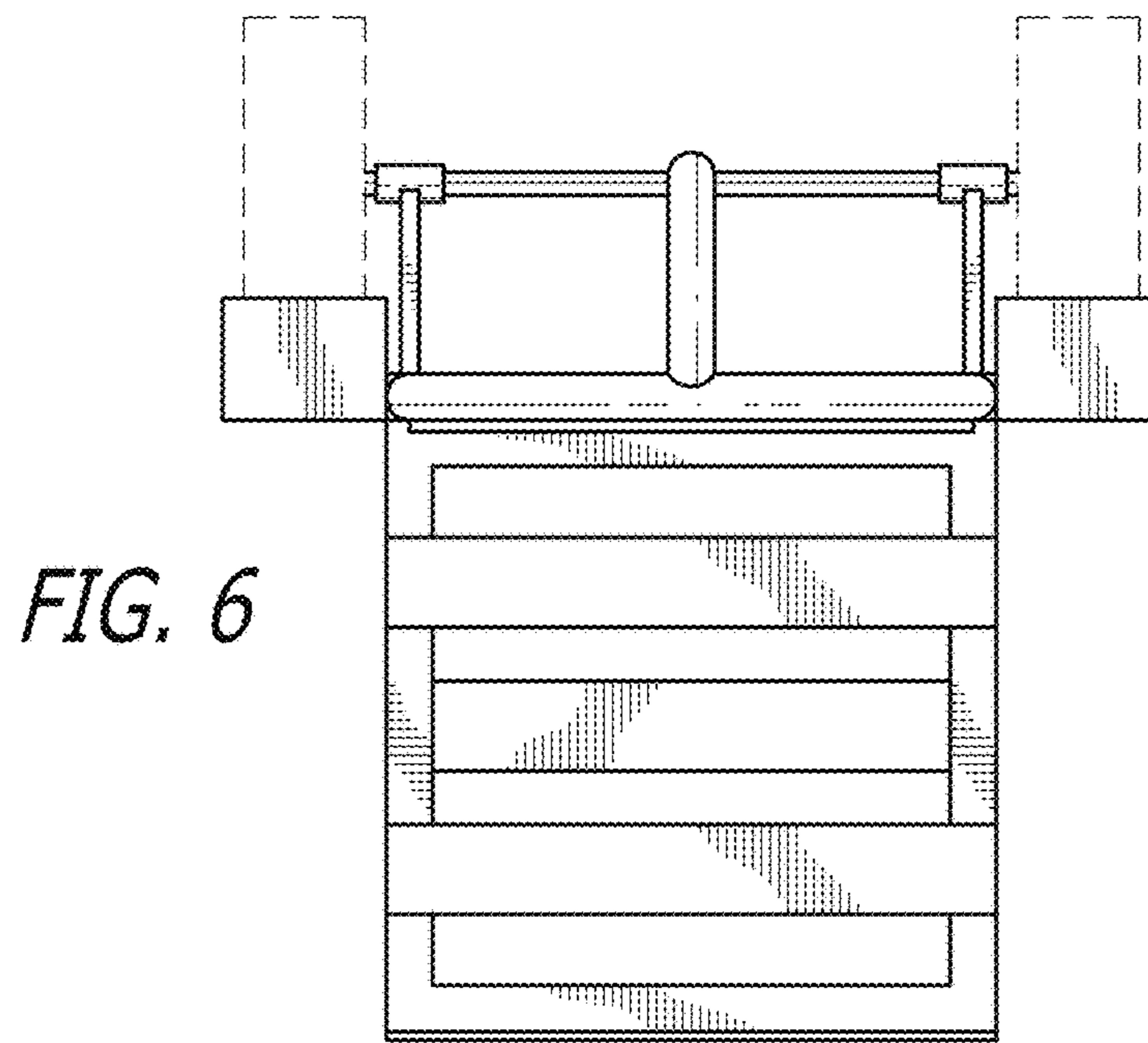


FIG. 4

*FIG. 5*





UNITED STATES PATENT AND TRADEMARK OFFICE  
**CERTIFICATE OF CORRECTION**

PATENT NO. : D802,241 S  
APPLICATION NO. : 29/577924  
DATED : November 7, 2017  
INVENTOR(S) : Thomas Aaron Hlavac and Jordan Makyle White

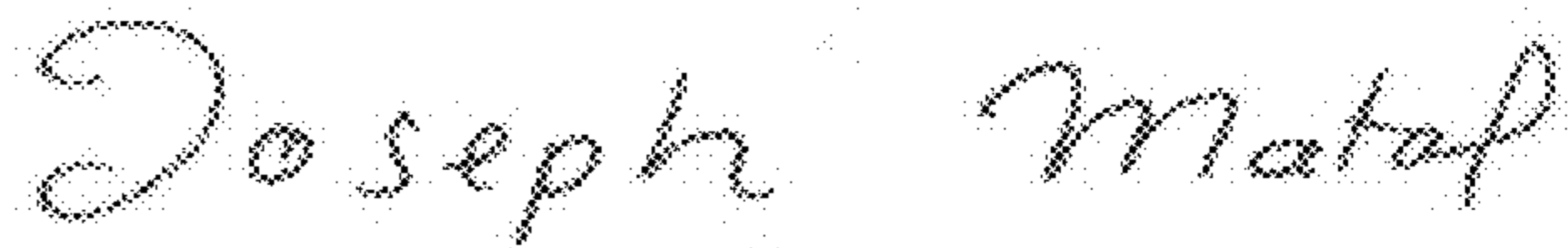
Page 1 of 1

It is certified that error appears in the above-identified patent and that said Letters Patent is hereby corrected as shown below:

On the Title Page

Item (72) Inventors: add --Jordan Makyle White--

Signed and Sealed this  
Ninth Day of January, 2018



Joseph Matal

*Performing the Functions and Duties of the  
Under Secretary of Commerce for Intellectual Property and  
Director of the United States Patent and Trademark Office*