



US00D802239S

(12) **United States Design Patent** (10) **Patent No.:** **US D802,239 S**  
**Chen** (45) **Date of Patent:** **\*\* Nov. 7, 2017**

(54) **OPEN TOP TRASH CAN**  
(71) Applicant: **EKO DEVELOPMENT LTD.,**  
Guangzhou (CN)  
(72) Inventor: **Yizhi Chen,** Guangzhou (CN)  
(73) Assignee: **EKO Development Limited,**  
Guangzhou (CN)

D644,390 S 8/2011 Smeets et al.  
D644,806 S 9/2011 Yang et al.  
D657,108 S 4/2012 Yang et al.  
D657,109 S 4/2012 Liao  
D675,802 S 2/2013 Yang et al.  
8,820,566 B2\* 9/2014 Ude ..... B65F 1/1607  
220/908  
D719,313 S \* 12/2014 Kao ..... D34/7  
D720,513 S 12/2014 Yang et al.  
(Continued)

(\*\*) Term: **15 Years**

**OTHER PUBLICATIONS**

(21) Appl. No.: **29/574,774**  
(22) Filed: **Aug. 18, 2016**  
(51) **LOC (10) Cl.** ..... **09-09**  
(52) **U.S. Cl.**  
USPC ..... **D34/7**  
(58) **Field of Classification Search**  
USPC ..... D34/1, 2, 3, 4, 5, 6, 7, 8, 9, 10, 11, 39;  
220/211, 335, 4.04, 484, 495, 569, 62.12,  
220/62.13, 703, 737, 748, 908.1, 908.2,  
220/908, 909; D19/77, 99; D11/143;  
D23/202, 203, 205; D6/403; D9/737,  
D9/738, 770, 772, 778, 781  
CPC ..... B65D 2543/00194; B65D 2543/00296;  
B65D 2543/00527; B65D 43/164  
See application file for complete search history.

Belson Outdoors "Durable Two-Piece Fiberglass Trash Receptacle",  
<http://www.belson.com/Open-Top-Lift-Off-20-Gallon-Round-Fiberglass-Trash-Can>. Jun 6, 2017. shown in p. 1, Model FG1829 TPL.\*

(Continued)

*Primary Examiner* — Cynthia Ramirez  
*Assistant Examiner* — Michael Maharajh  
(74) *Attorney, Agent, or Firm* — William Dippert;  
Laurence Greenberg; Werner Stemer

(57) **CLAIM**

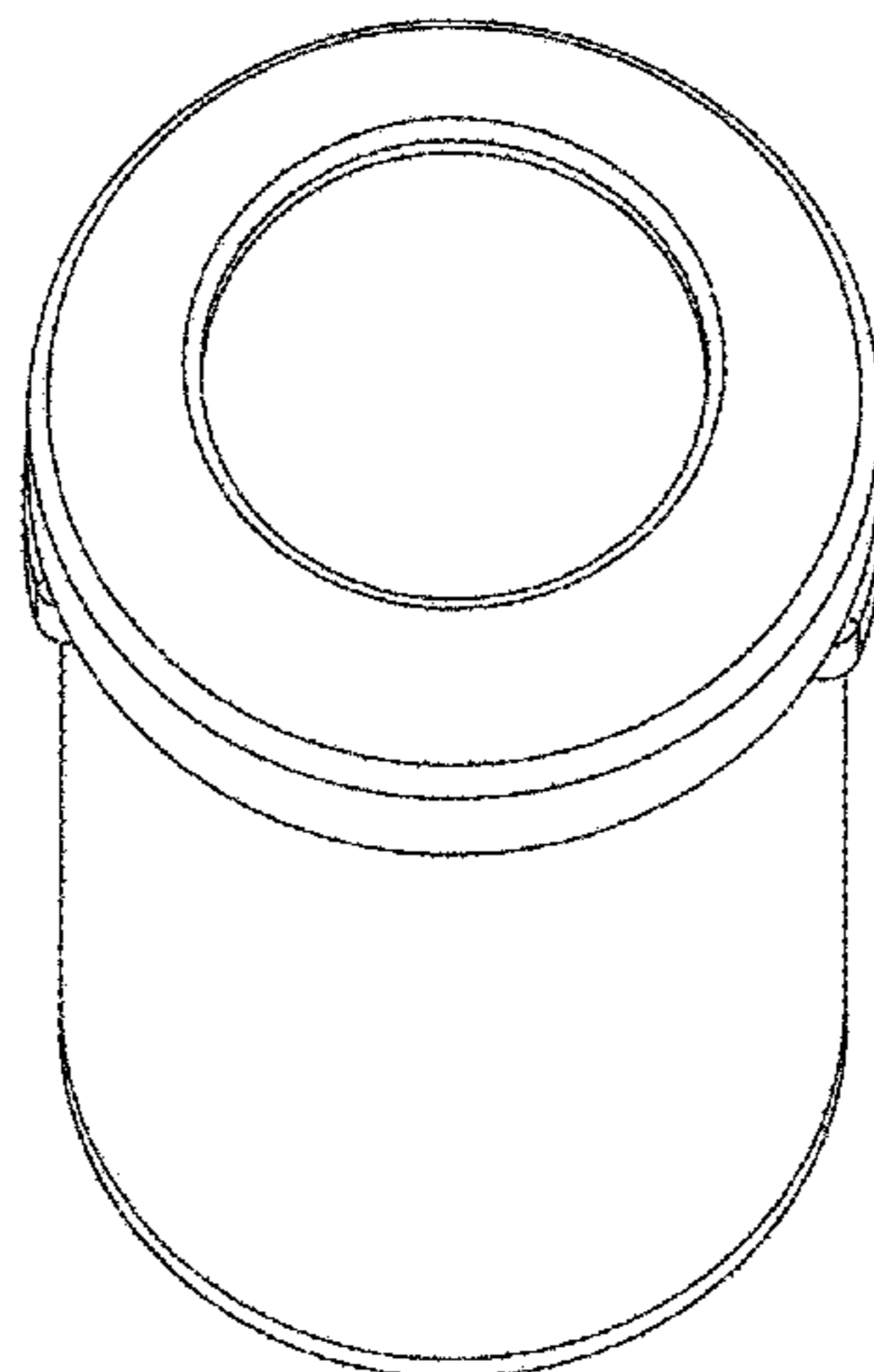
The ornamental design for an open top trash can, as shown and described.

**DESCRIPTION**

FIG. 1 is an isometric view of the open top trash can, showing my new design.  
FIG. 2 is a top plan view thereof.  
FIG. 3 is a front elevational view thereof.  
FIG. 4 is a right side elevational view thereof; the left side elevational view being the same as the side shown.  
FIG. 5 is a rear elevational view thereof; and,  
FIG. 6 is a bottom plan view thereof.  
The broken lines in the drawings represent portions of the open top trash can that are for illustrative purposes only and do not form a part of the claimed design.

**1 Claim, 3 Drawing Sheets**

(56) **References Cited**  
U.S. PATENT DOCUMENTS  
D246,090 S \* 10/1977 Gault ..... D34/8  
D335,562 S 5/1993 Evans  
5,242,074 A 9/1993 Conaway et al.  
D343,709 S \* 1/1994 Doty ..... D34/1  
6,345,725 B1 2/2002 Lin  
D472,357 S \* 3/2003 Stewart ..... D34/6  
D482,169 S 11/2003 Lin  
D527,155 S \* 8/2006 Fankhauser ..... D34/7  
D552,321 S 10/2007 Yang et al.  
D571,520 S 6/2008 Lin  
D627,533 S \* 11/2010 Yang ..... D34/7



(56)

**References Cited**

U.S. PATENT DOCUMENTS

D754,413 S \* 4/2016 Wall ..... D34/8  
D759,934 S 6/2016 Yang et al.

OTHER PUBLICATIONS

Amazon“Simplehuman Bullet Open Trash Can”, [https://www.amazon.com/simplehuman-Bullet-Trash-Commercial-Stainless/dp/B000BHUHP0/ref=cm\\_cr\\_ar\\_p\\_d\\_product\\_top?ie=UTF8](https://www.amazon.com/simplehuman-Bullet-Trash-Commercial-Stainless/dp/B000BHUHP0/ref=cm_cr_ar_p_d_product_top?ie=UTF8). Apr. 17, 2008. shown in p. 1. Model No. CW1407.\*

\* cited by examiner

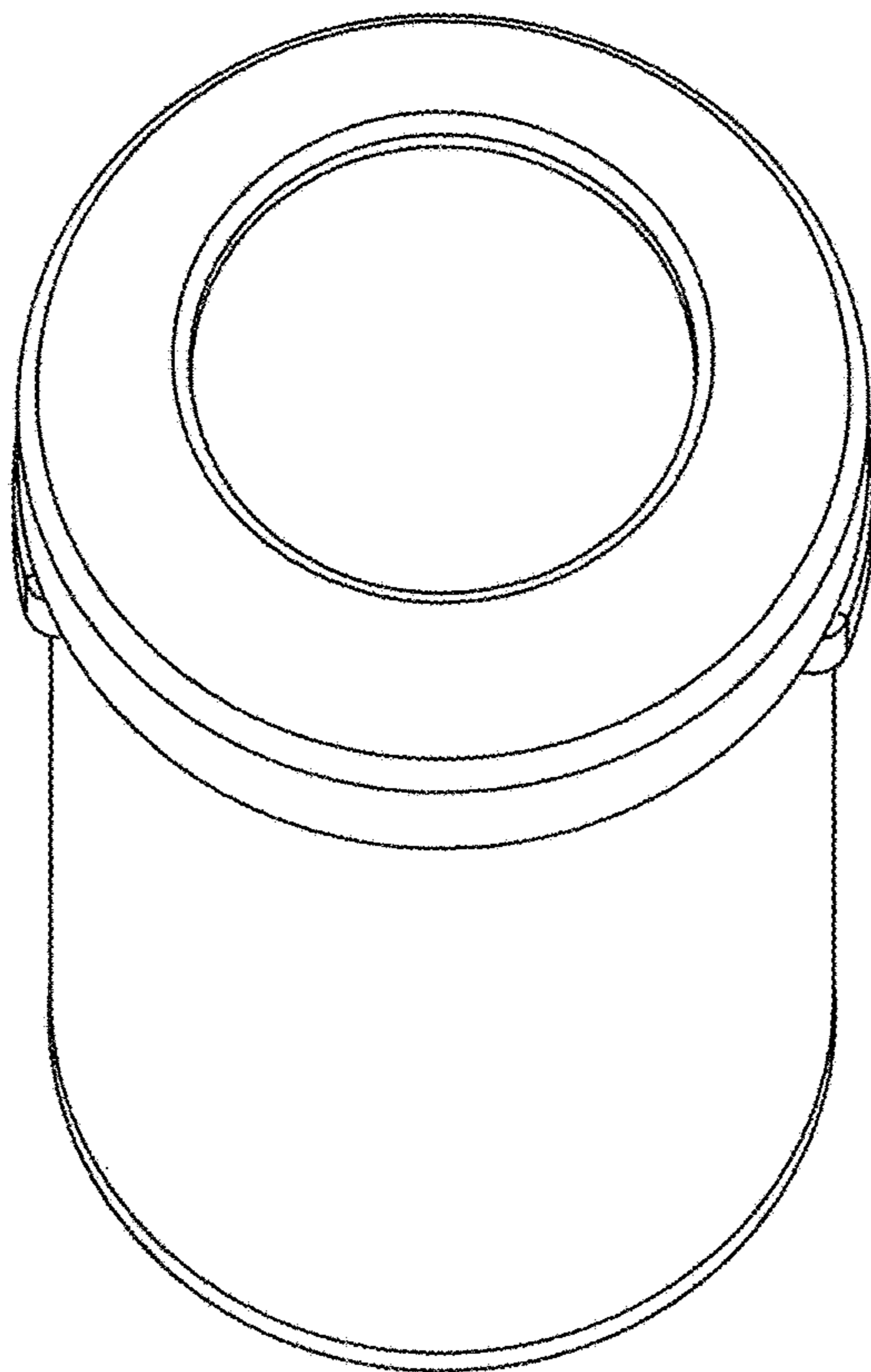


FIGURE 1

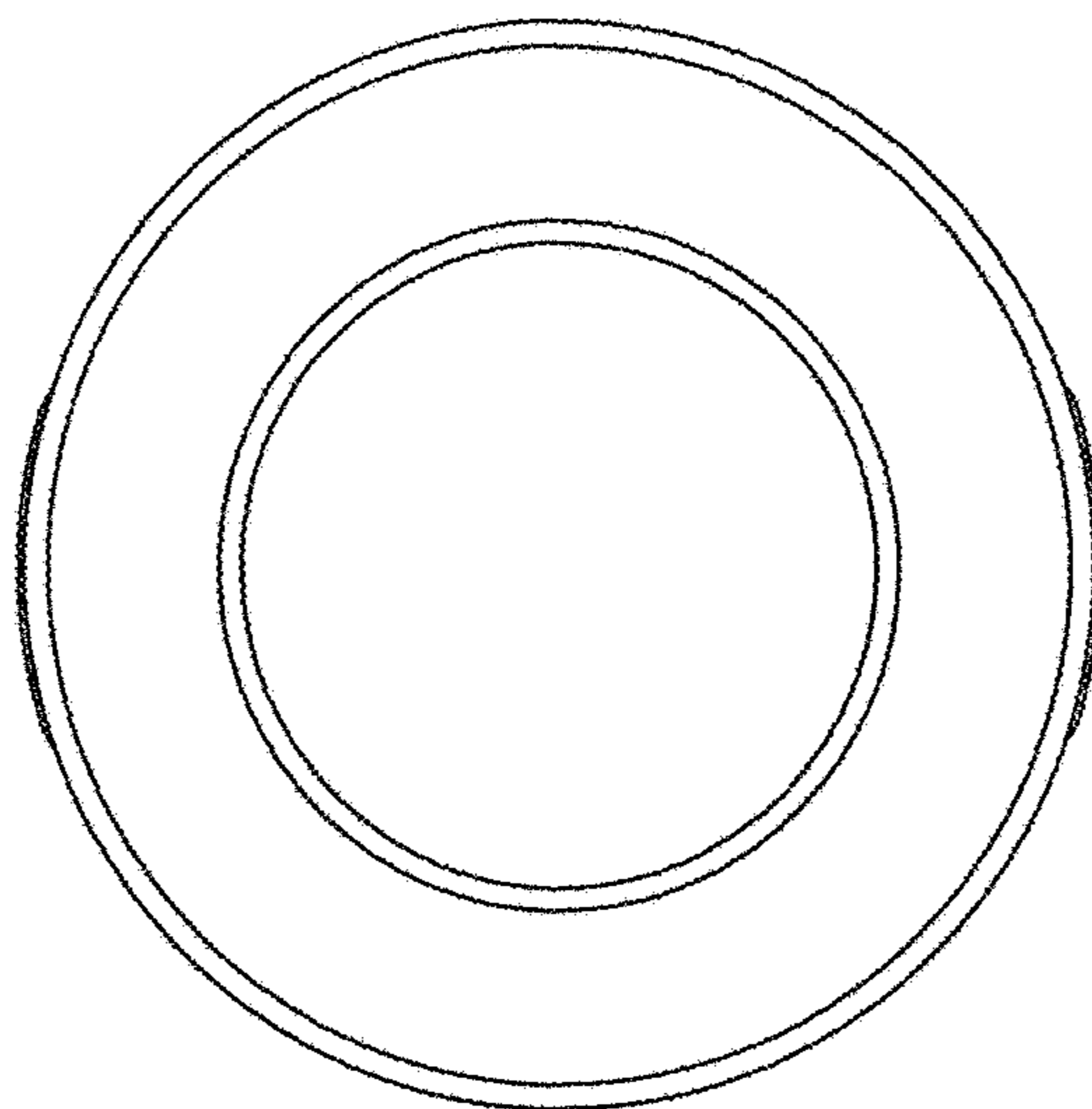


FIGURE 2

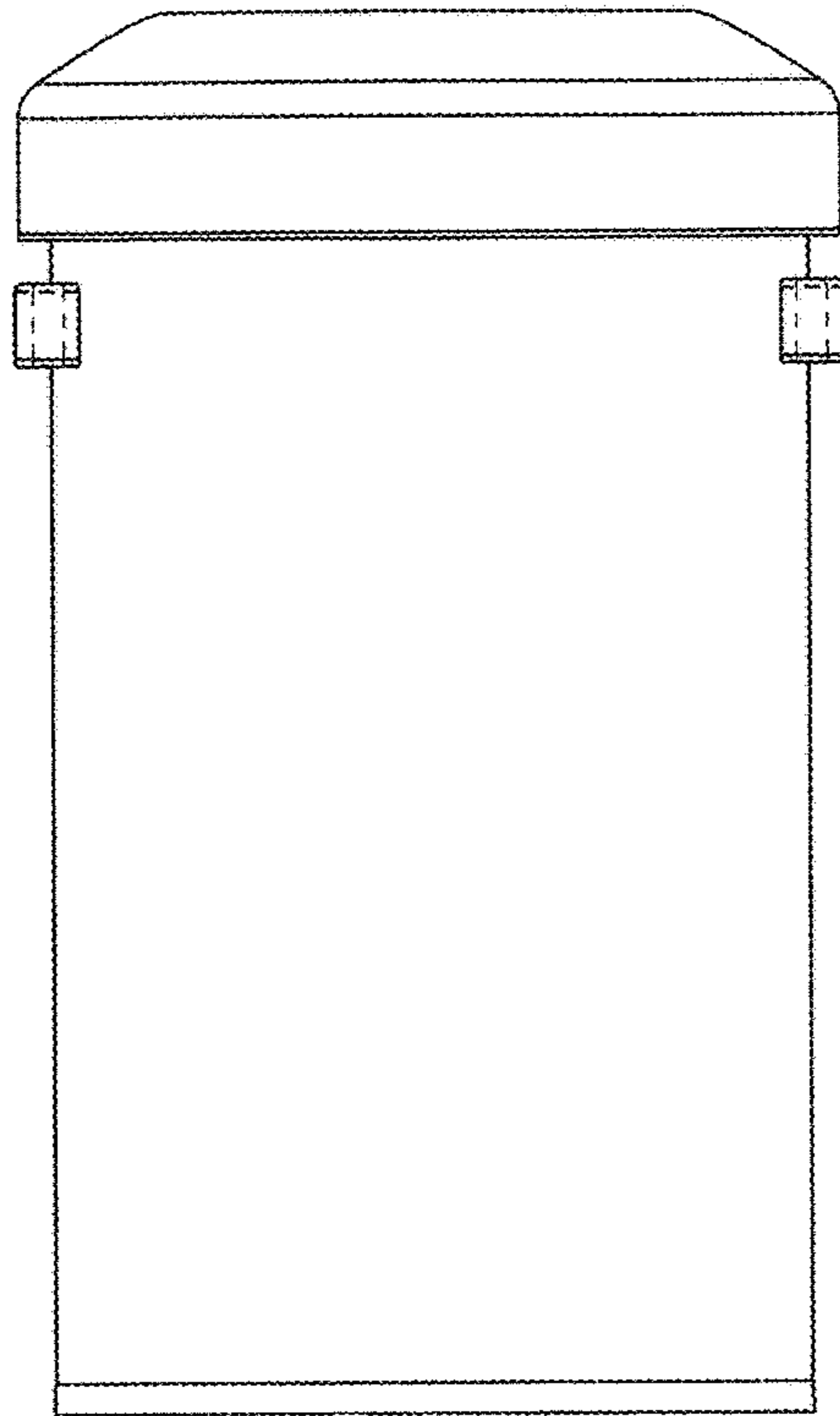


FIGURE 3

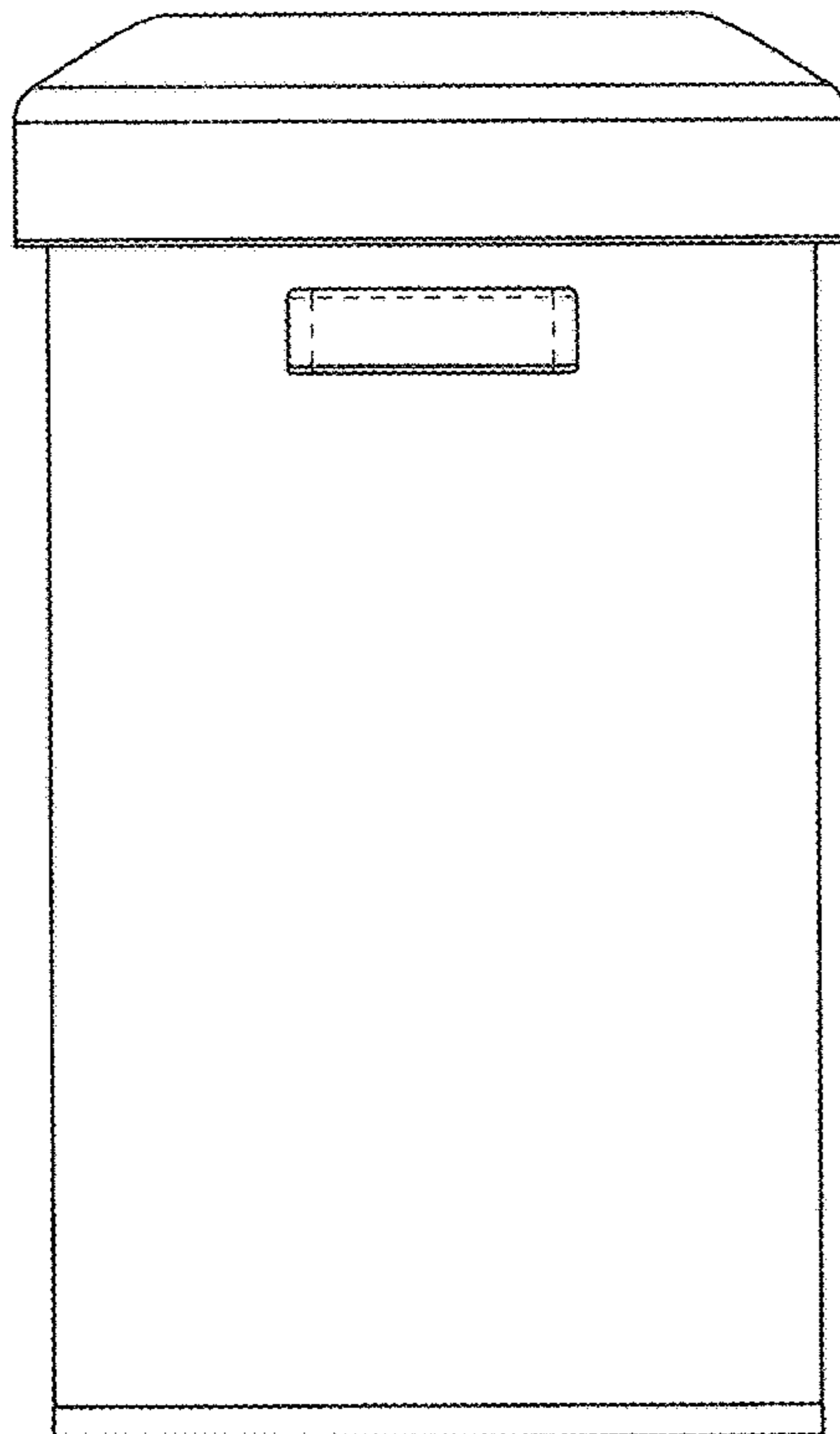


FIGURE 4

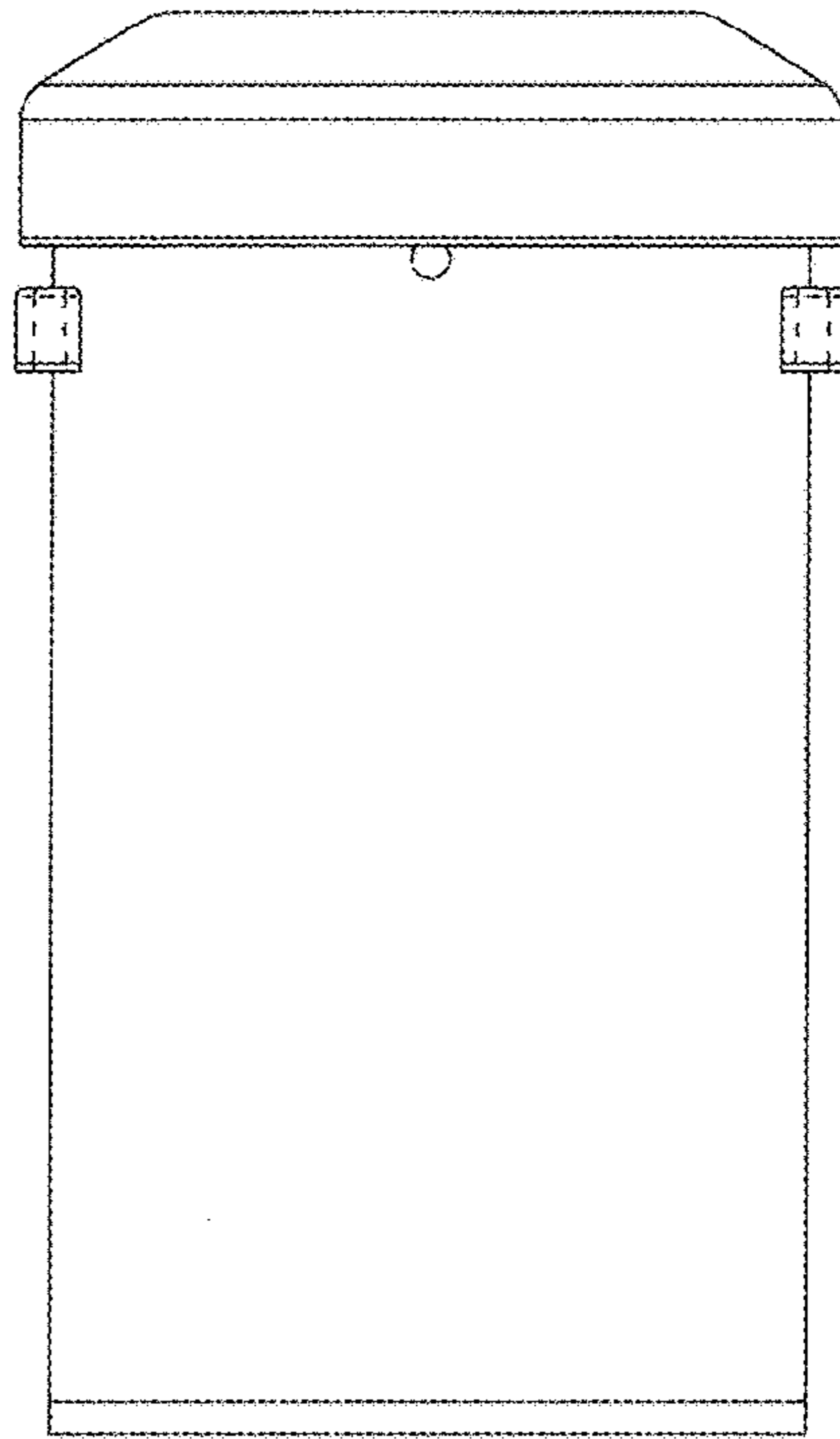


FIGURE 5

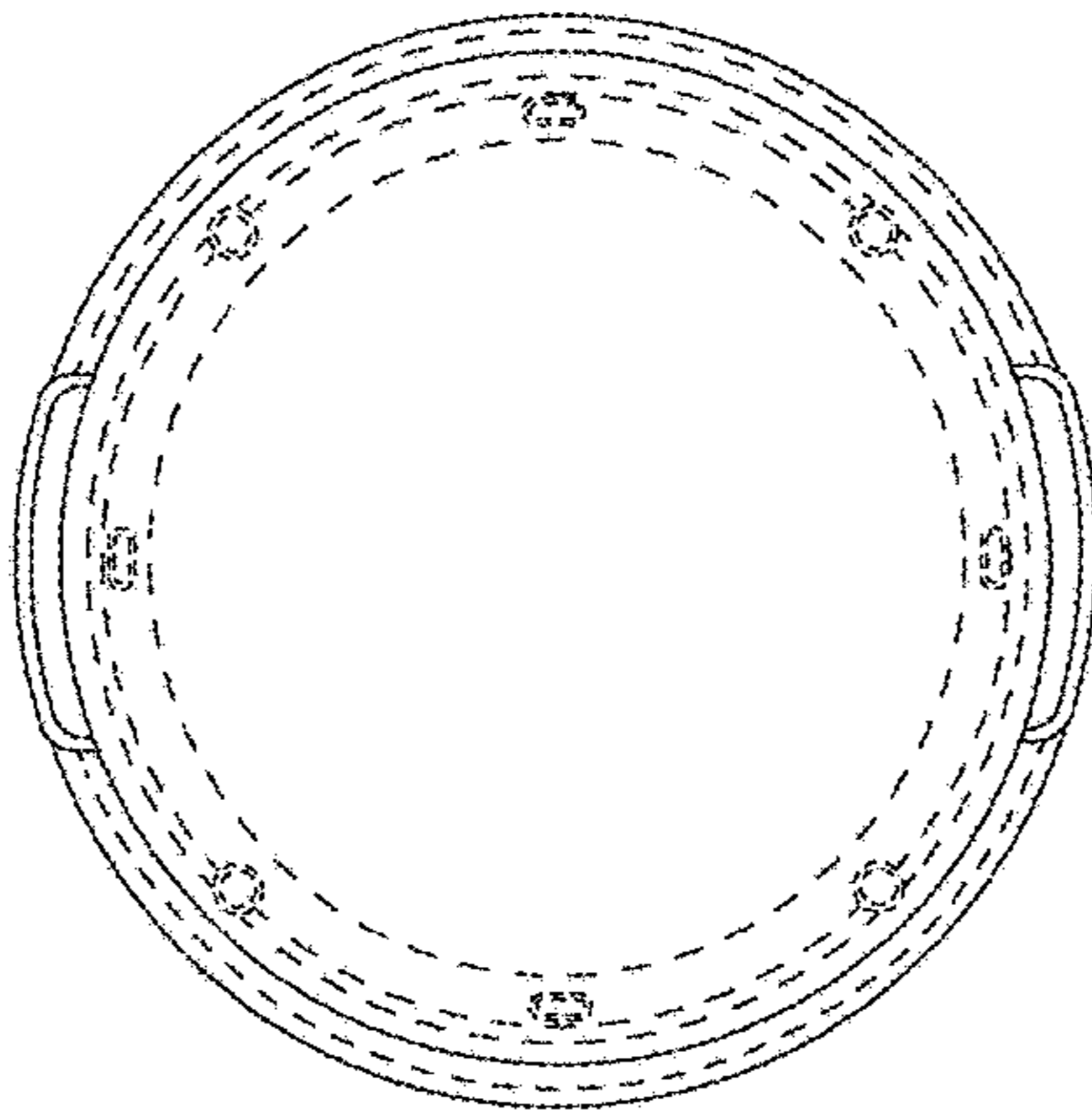


FIGURE 6