



US00D802235S

(12) **United States Design Patent** (10) **Patent No.:** **US D802,235 S**
Gammack et al. (45) **Date of Patent:** **** Nov. 7, 2017**

- (54) **PART OF A VACUUM CLEANER**
- (71) Applicant: **Dyson Technology Limited**, Wiltshire (GB)
- (72) Inventors: **Peter David Gammack**, Gloucester (GB); **Charles Geoffrey Box**, Swindon (GB); **David Alan Millington**, Swindon (GB); **Oliver Stanton Blanchard**, Bristol (GB); **Edward Miles Sims**, Bristol (GB)
- (73) Assignee: **Dyson Technology Limited**, Malmesbury, Wiltshire (GB)

- 7,370,387 B2 * 5/2008 Walker A47L 5/24
15/344
- D595,462 S * 6/2009 Crawley D32/18
- 7,877,837 B2 * 2/2011 Gammack A47L 5/362
15/323
- D640,847 S * 6/2011 Houghton D32/18
- D641,113 S * 7/2011 Choi D32/34
- D642,755 S 8/2011 Fjellman
- D668,405 S * 10/2012 Crawley D32/18
- D670,056 S 10/2012 Ventress et al.
- 8,595,895 B2 * 12/2013 Smith A47L 5/24
15/344
- D725,327 S * 3/2015 Houghton D32/18
- D725,852 S * 3/2015 Houghton D32/18
- (Continued)

- (**) Term: **15 Years**
- (21) Appl. No.: **29/576,416**
- (22) Filed: **Sep. 2, 2016**

- (30) **Foreign Application Priority Data**
- Mar. 4, 2016 (EM) 003013705-0004
- (51) **LOC (10) Cl.** **15-05**
- (52) **U.S. Cl.**
USPC **D32/34**
- (58) **Field of Classification Search**
USPC D32/18, 21-22, 31, 34
CPC . A47L 5/24; A47L 5/362; A47L 5/365; A47L 5/28; A47L 5/225; A47L 9/322; A47L 9/325; A47L 9/28; A47L 9/32; A47L 9/327
- See application file for complete search history.

- (56) **References Cited**
- U.S. PATENT DOCUMENTS
- D333,023 S 2/1993 Herron, Jr.
D334,447 S 3/1993 Rohn
7,000,288 B2 2/2006 Nighy
D522,191 S * 5/2006 Erlich D32/18
D552,309 S * 10/2007 Houghton D32/18

OTHER PUBLICATIONS

Gammack et al., U.S. Office Action dated May 24, 2017 directed to U.S. Appl. No. 29/576,415; 7 pages.
(Continued)

Primary Examiner — Ruth McInroy
(74) *Attorney, Agent, or Firm* — Morrison & Foerster LLP

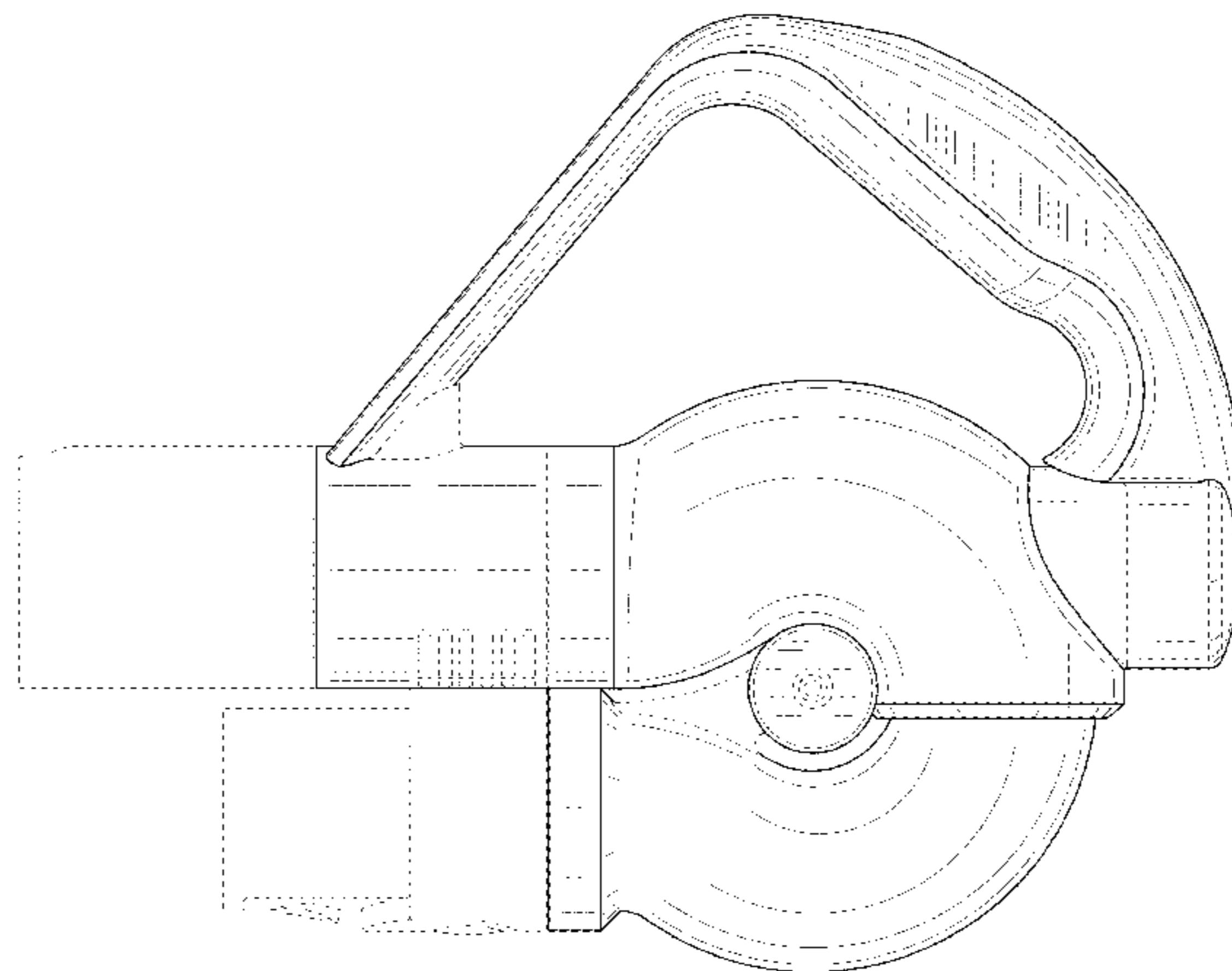
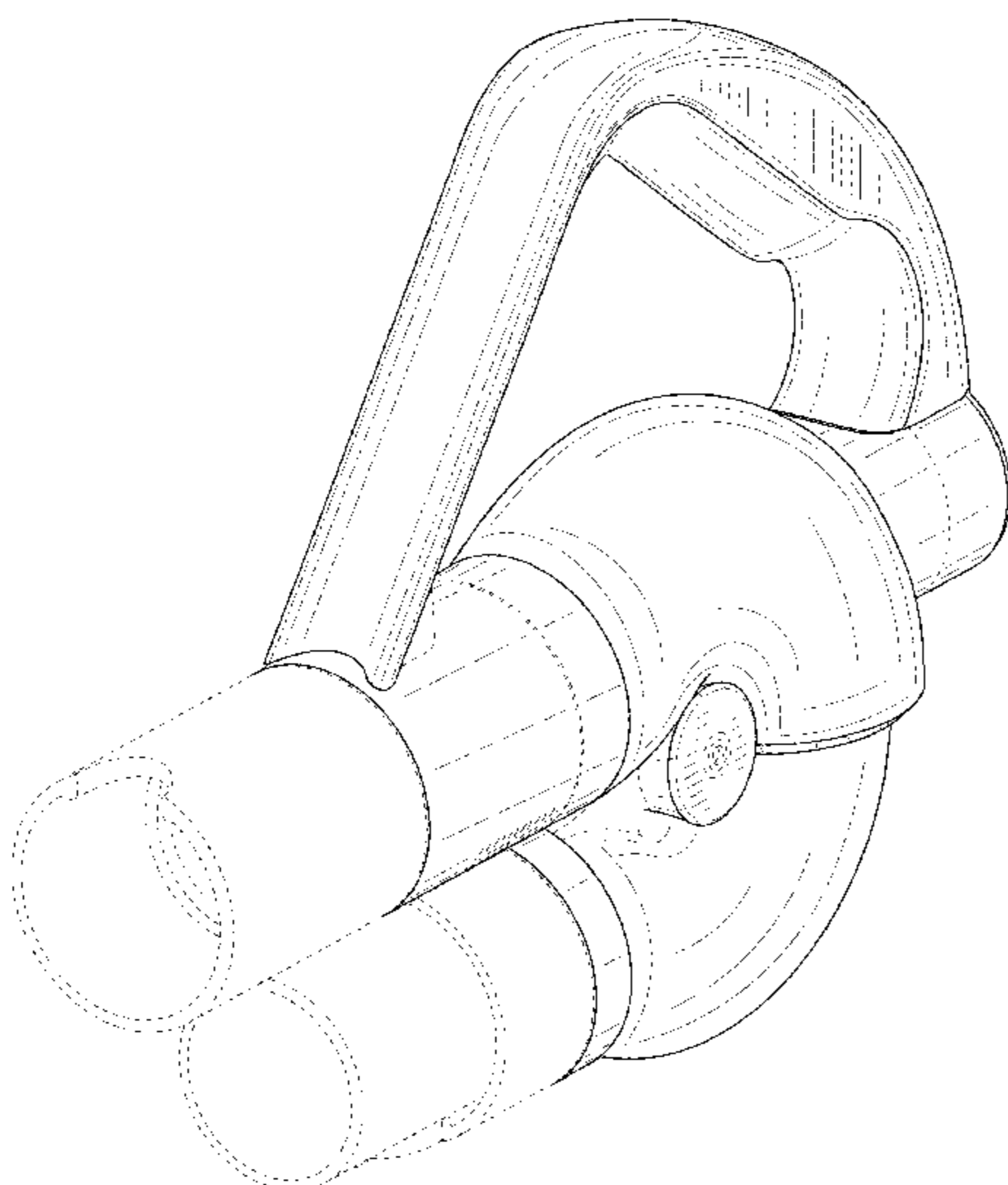
(57) **CLAIM**

We claim the ornamental design for a part of a vacuum cleaner, as shown and described.

DESCRIPTION

FIG. 1 is a perspective view of a part of a vacuum cleaner showing our new design;
 FIG. 2 is a side view thereof;
 FIG. 3 is a side view of the opposite side of FIG. 2;
 FIG. 4 is a top view thereof;
 FIG. 5 is a bottom thereof;
 FIG. 6 is a front view thereof; and,
 FIG. 7 is a rear view thereof.
 The details shown in broken lines form no part of the claimed design.

1 Claim, 5 Drawing Sheets



(56)

References Cited

U.S. PATENT DOCUMENTS

D726,383 S * 4/2015 Milligan D32/18
D729,470 S * 5/2015 Choi D32/18
D730,599 S * 5/2015 Uim D32/18
D731,725 S 6/2015 Jang et al.
9,055,848 B2 * 6/2015 Liu A47L 5/24
D739,622 S 9/2015 Johnson
9,144,358 B2 * 9/2015 Smith A47L 9/102
9,265,395 B2 * 2/2016 Conrad A47L 5/225
D769,557 S 10/2016 Johnson
9,480,373 B2 11/2016 Conrad et al.
D779,754 S 2/2017 Miyazaki et al.
D781,011 S * 3/2017 Bu D32/18

OTHER PUBLICATIONS

Gammack et al., U.S. Office Action dated May 24, 2017 directed to U.S. Appl. No. 29/576,419; 7 pages.
Gammack et al., U.S. Office Action dated Jun. 21, 2017 directed to U.S. Appl. No. 29/576,420; 6 pages.
Gammack et al., U.S. Office Action dated Jun. 20, 2017, directed to U.S. Appl. No. 29/576,422; 6 pages.
Gammack et al., U.S. Office Action dated Jun. 20, 2017, directed to U.S. Appl. No. 29/576,424; 6 pages.

* cited by examiner

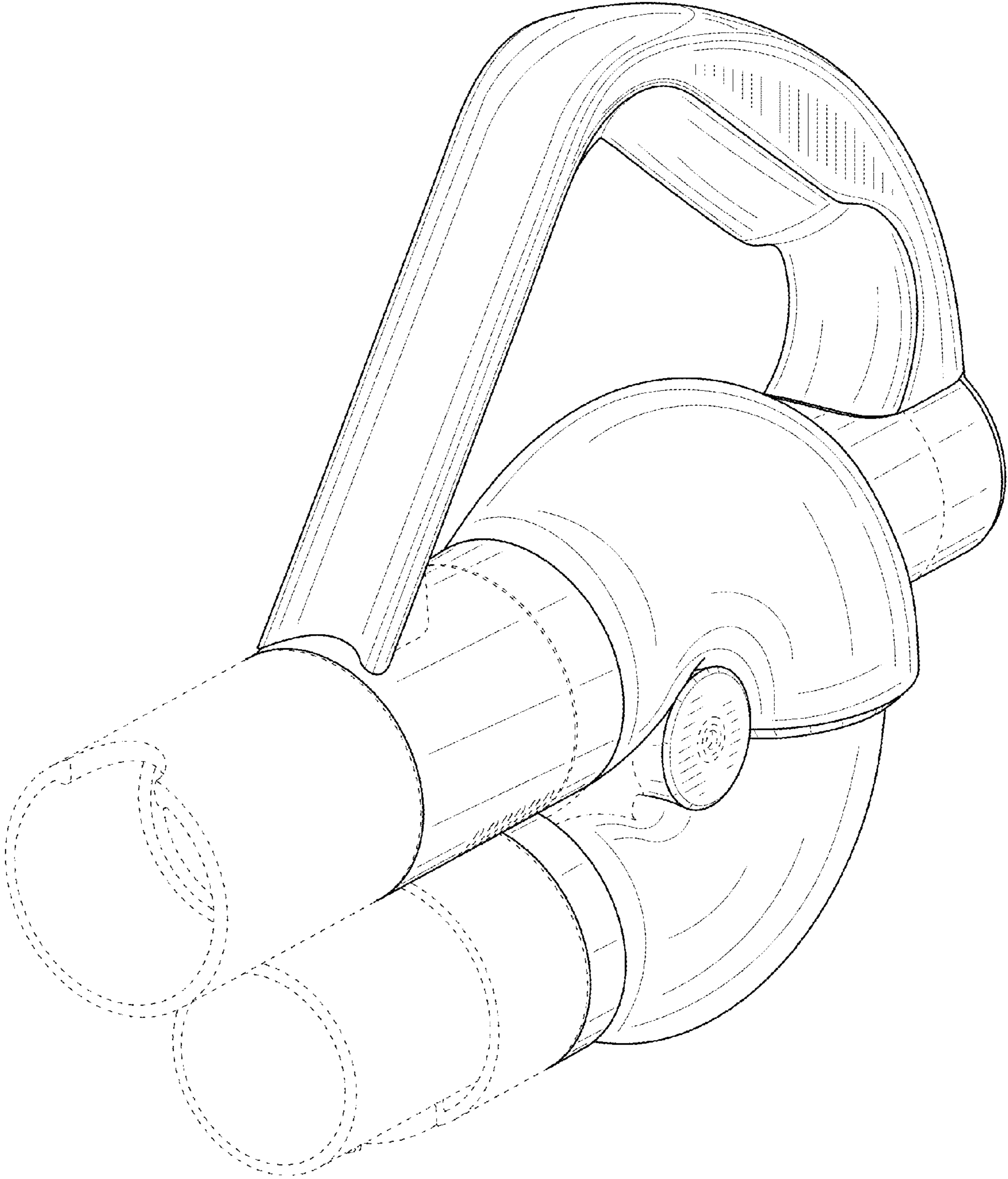


FIG. 1

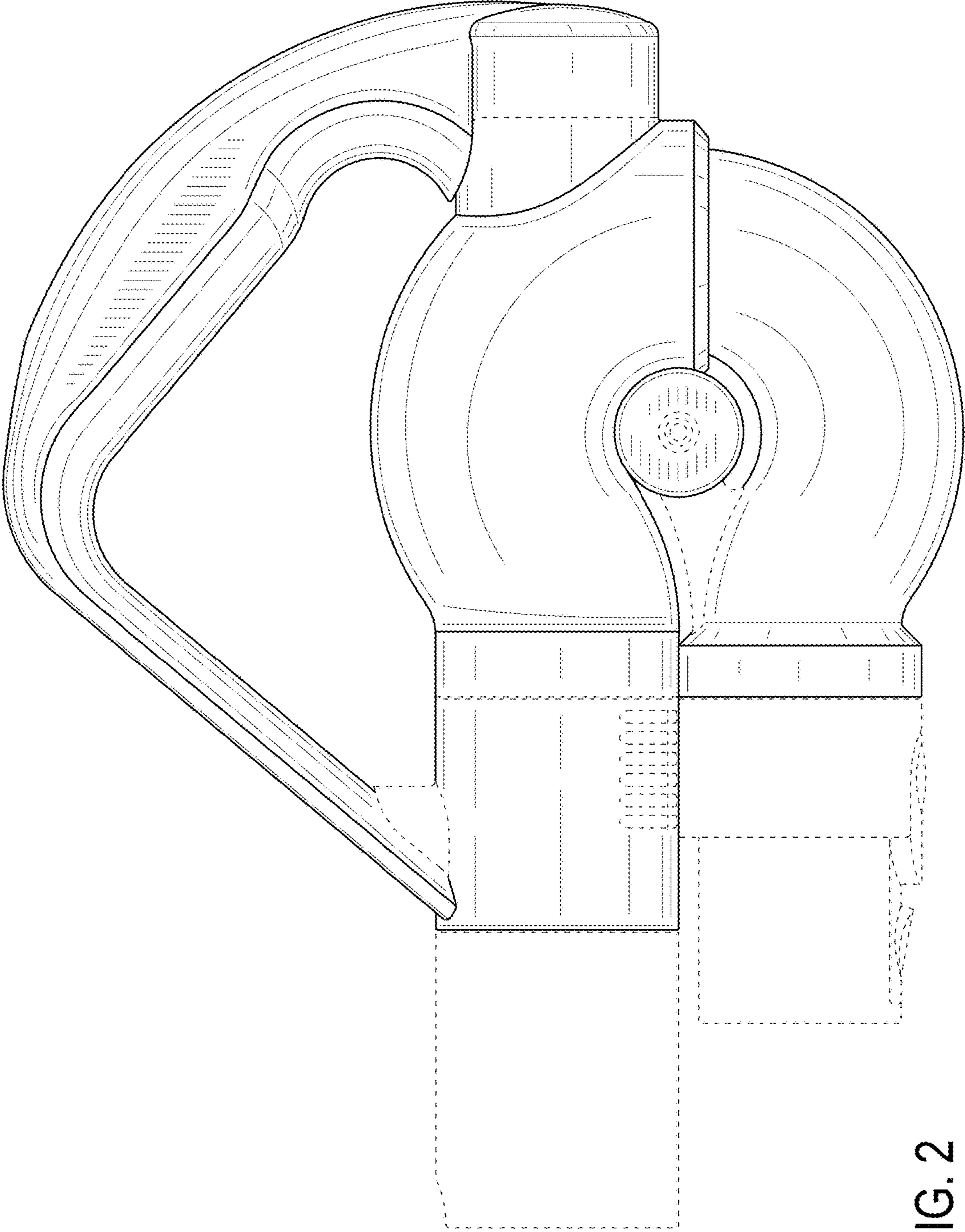


FIG. 2

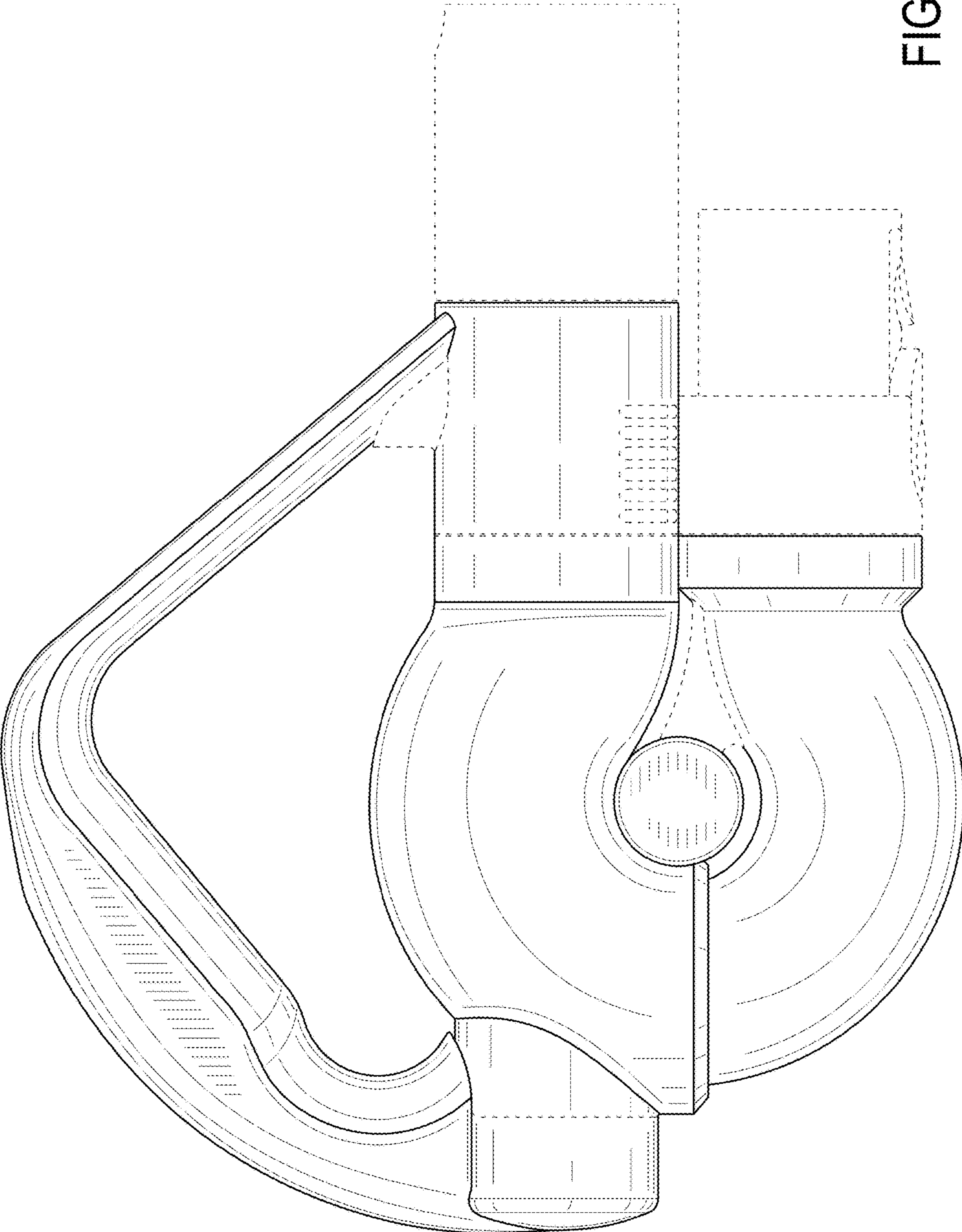


FIG. 3

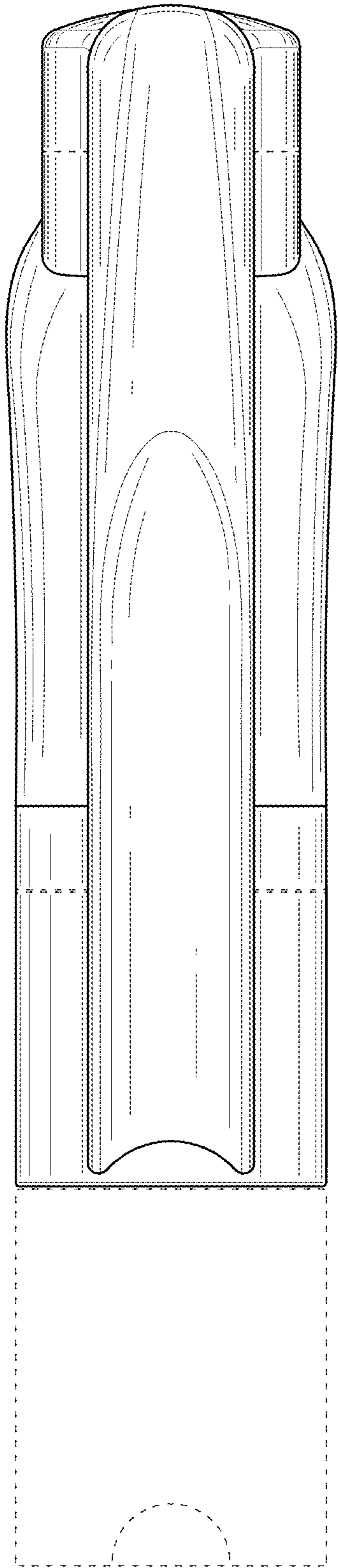


FIG. 4

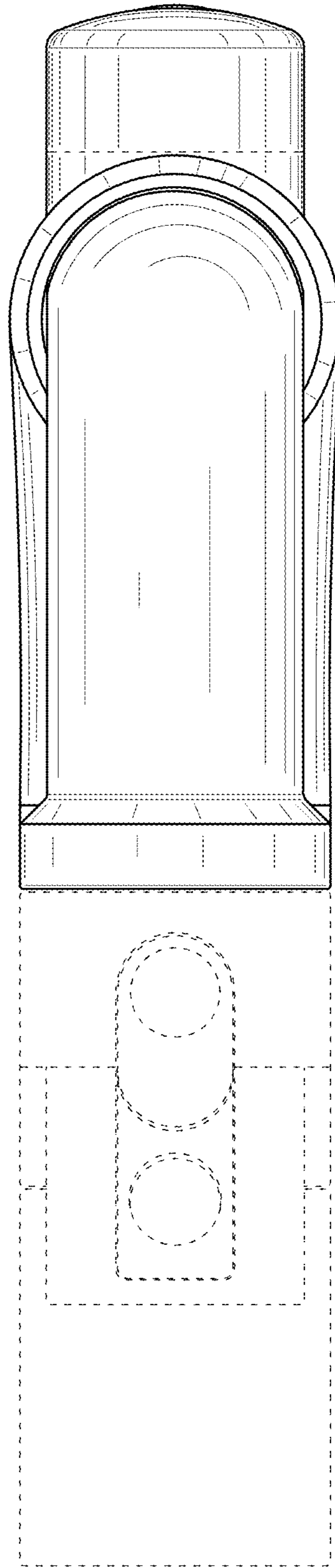


FIG. 5

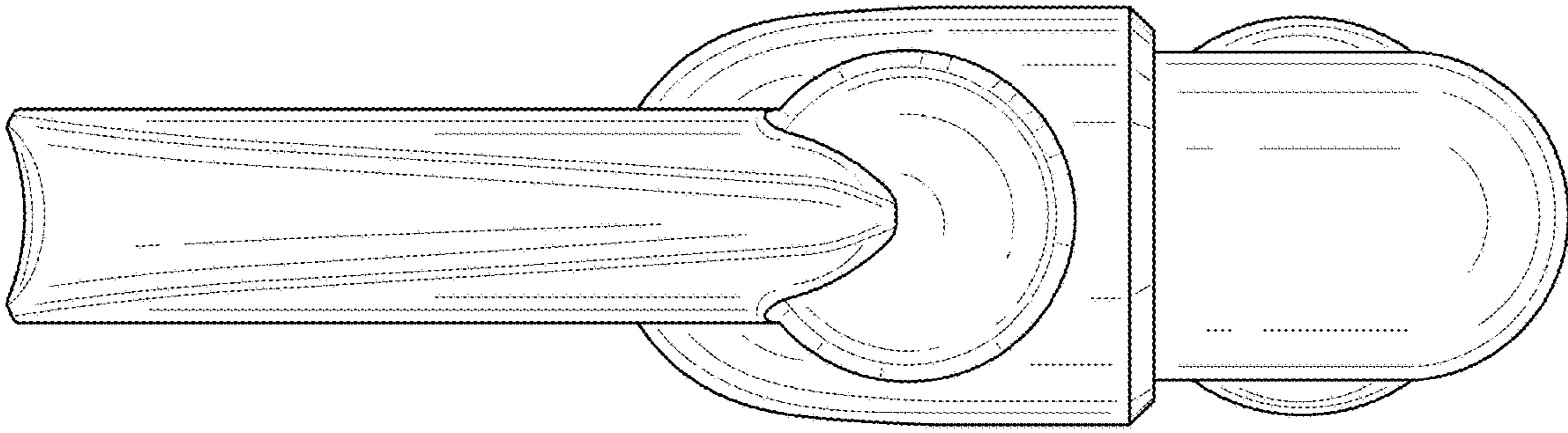


FIG. 7

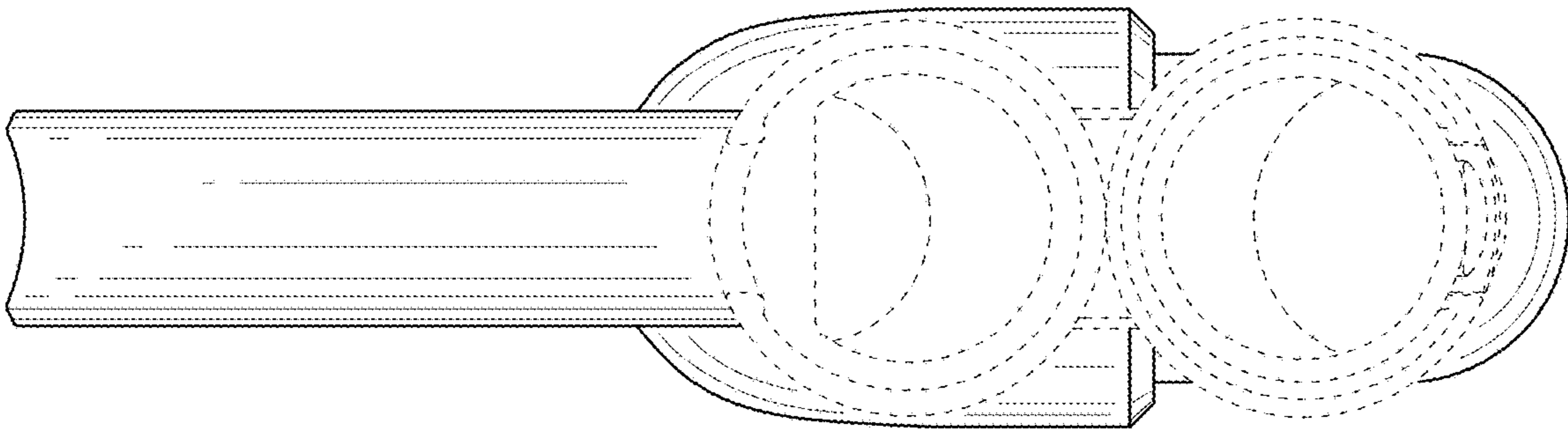


FIG. 6