



US00D802233S

(12) **United States Design Patent**
Jang et al.

(10) **Patent No.:** **US D802,233 S**

(45) **Date of Patent:** **** Nov. 7, 2017**

(54) **HANDLE FOR CLEANER**

(71) Applicant: **Samsung Electronics Co., Ltd.**,
Suwon-si (KR)

(72) Inventors: **Jaeho Jang**, Seoul (KR); **Kyungtae Kim**, Seoul (KR); **Youngjin Kim**,
Gunpo-si (KR); **Yeonyoung Nam**,
Goyang-si (KR)

(73) Assignee: **SAMSUNG ELECTRONICS CO., LTD.**, Gyeonggi-Do (KR)

(**) Term: **15 Years**

(21) Appl. No.: **29/543,465**

(22) Filed: **Oct. 23, 2015**

(30) **Foreign Application Priority Data**

Apr. 24, 2015 (KR) 30-2015-0021069

(51) **LOC (10) Cl.** **15-05**

(52) **U.S. Cl.**
USPC **D32/34**

(58) **Field of Classification Search**
USPC D32/34, 31, 22, 17-18, 21
CPC A47L 9/325; A47L 9/1666; A47L 9/1683;
A47L 5/28; A47L 5/24; A47L 5/362;
A47L 7/0038

See application file for complete search history.

(56) **References Cited**

U.S. PATENT DOCUMENTS

D475,491 S 6/2003 Kalman et al.
7,288,129 B2 * 10/2007 Oh A47L 9/104
15/327.1
D562,512 S * 2/2008 Yoon D32/34
D641,114 S * 7/2011 Choi D32/34
D642,755 S * 8/2011 Fjellman D32/34
D731,136 S * 6/2015 Yun D32/34

D731,725 S * 6/2015 Jang D32/34
D770,111 S * 10/2016 Lee D32/34
D770,112 S * 10/2016 Yoon D32/34
D771,890 S * 11/2016 Kim D32/34

FOREIGN PATENT DOCUMENTS

JP 1422552 9/2011
KR 300568001 7/2010

OTHER PUBLICATIONS

Dyson: Dyson DC16 handheld cleaner, Copyright 1996-2015, pp. 1-4, Retrieved from the Internet Oct. 23, 2015, <URL: [http://www.amazon.com/Dyson-Handheld-Vacuum-Cleaner-Station/dp/B00FKTK6FK/re . . .](http://www.amazon.com/Dyson-Handheld-Vacuum-Cleaner-Station/dp/B00FKTK6FK/re...)>.

KDK—Cordless Handheld, Trademark 1918, pp. 1-5, Retrieved from the Internet Oct. 23, 2015, <URL:<http://www.singaporehandyman.com/Fan/kadeka/vacuum.htm>>.

* cited by examiner

Primary Examiner — Ruth McInroy

(74) *Attorney, Agent, or Firm* — Cantor Colburn LLP

(57) **CLAIM**

The ornamental design for a handle for cleaner, as shown and described.

DESCRIPTION

FIG. 1 is a perspective view of a handle for cleaner, showing our new design;

FIG. 2 is a front view thereof;

FIG. 3 is a rear view thereof;

FIG. 4 is a side view thereof;

FIG. 5 is another side view thereof;

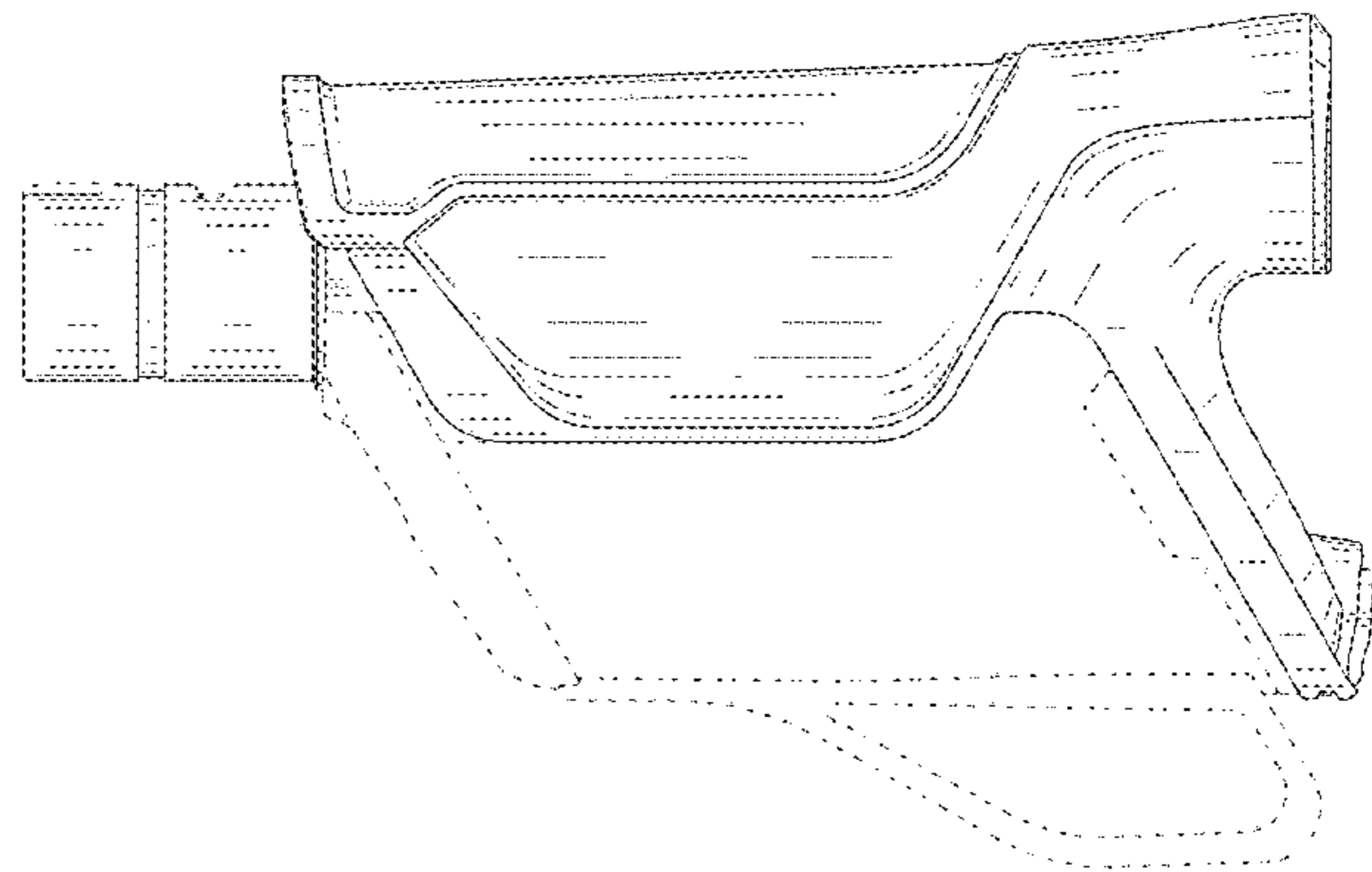
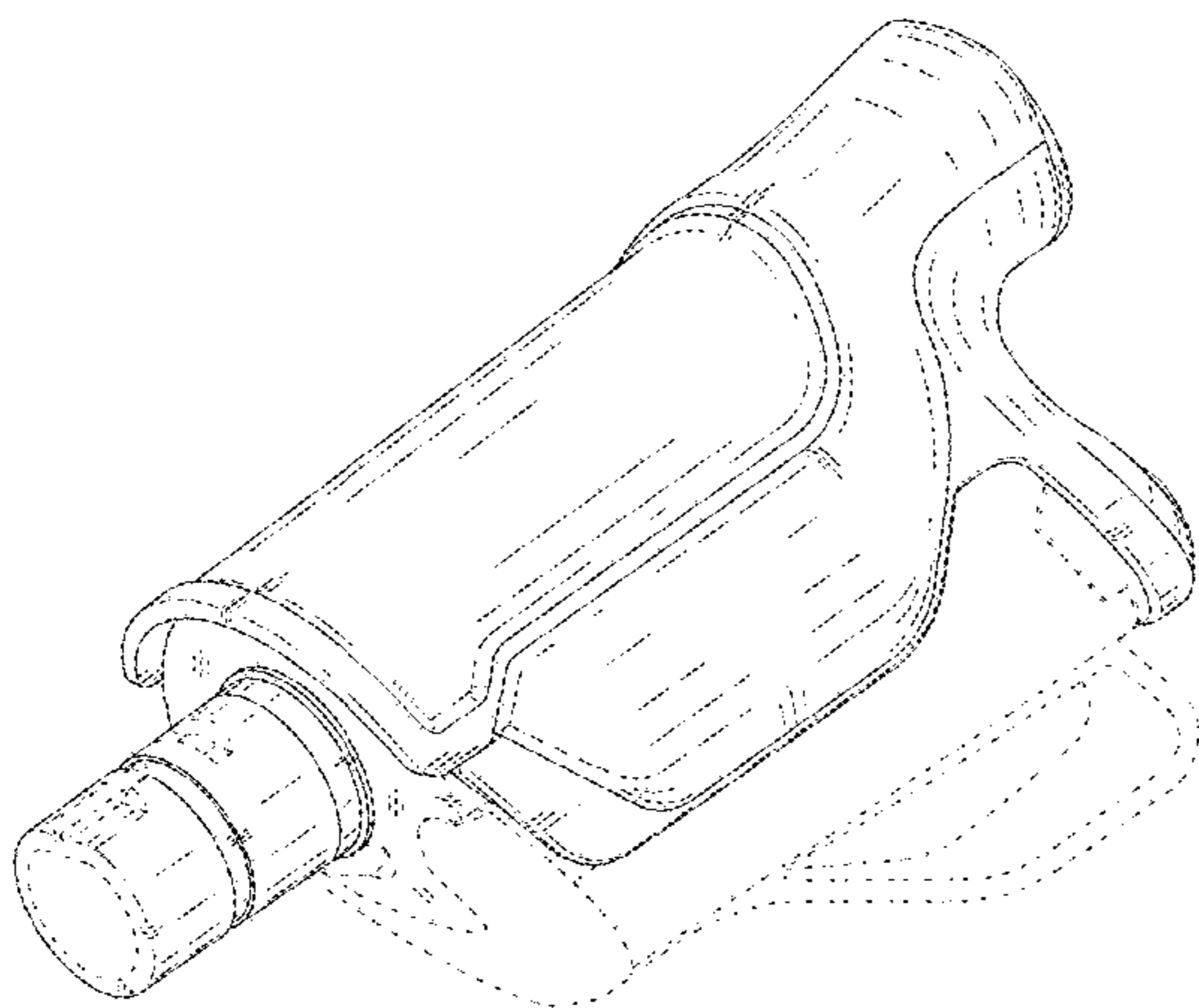
FIG. 6 is a top view thereof;

FIG. 7 is a bottom view thereof; and,

FIG. 8 is another perspective view thereof.

The broken lines illustrating portions of the handle for cleaner form no part of the claimed design.

1 Claim, 8 Drawing Sheets



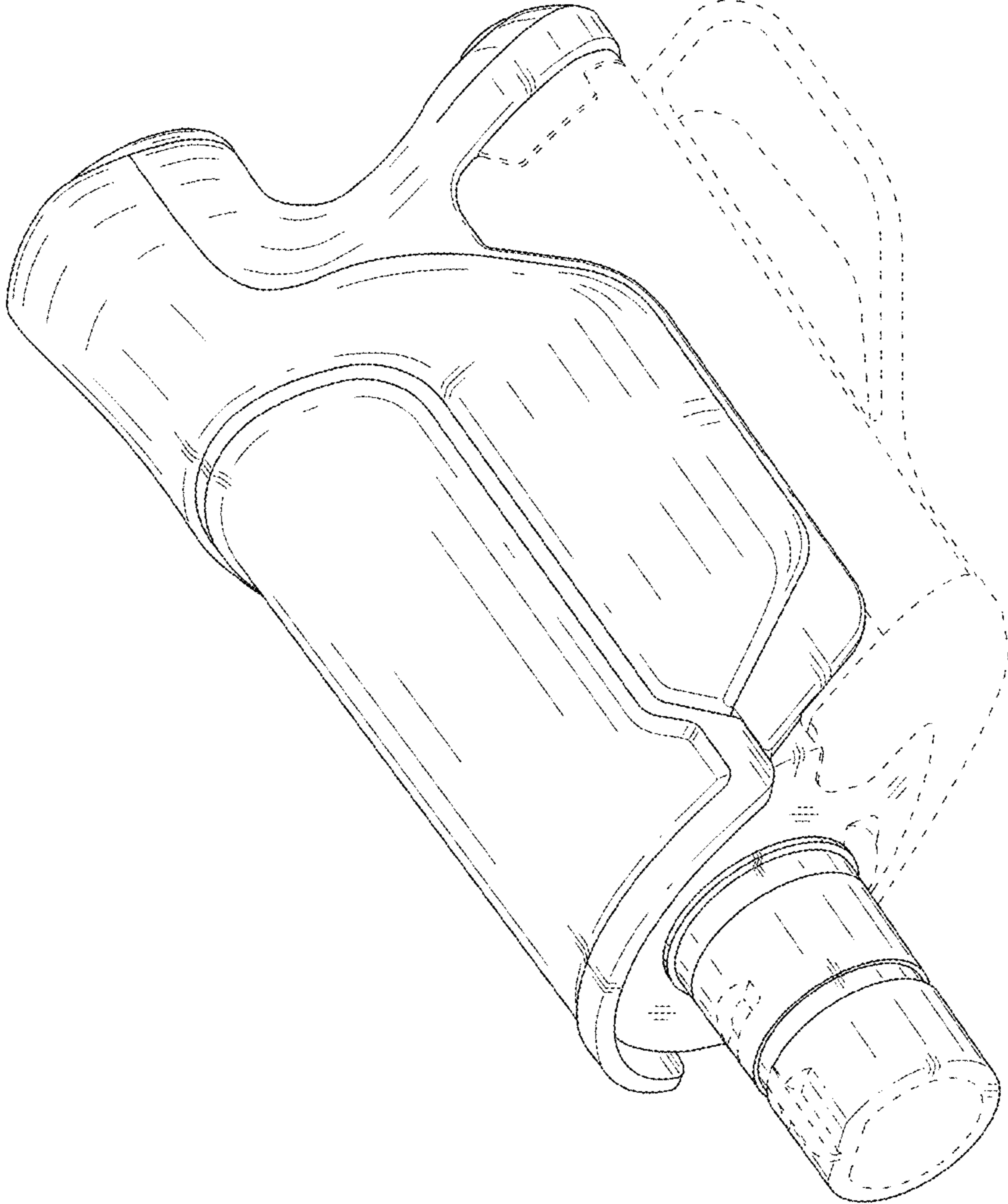


FIG. 1

FIG. 2

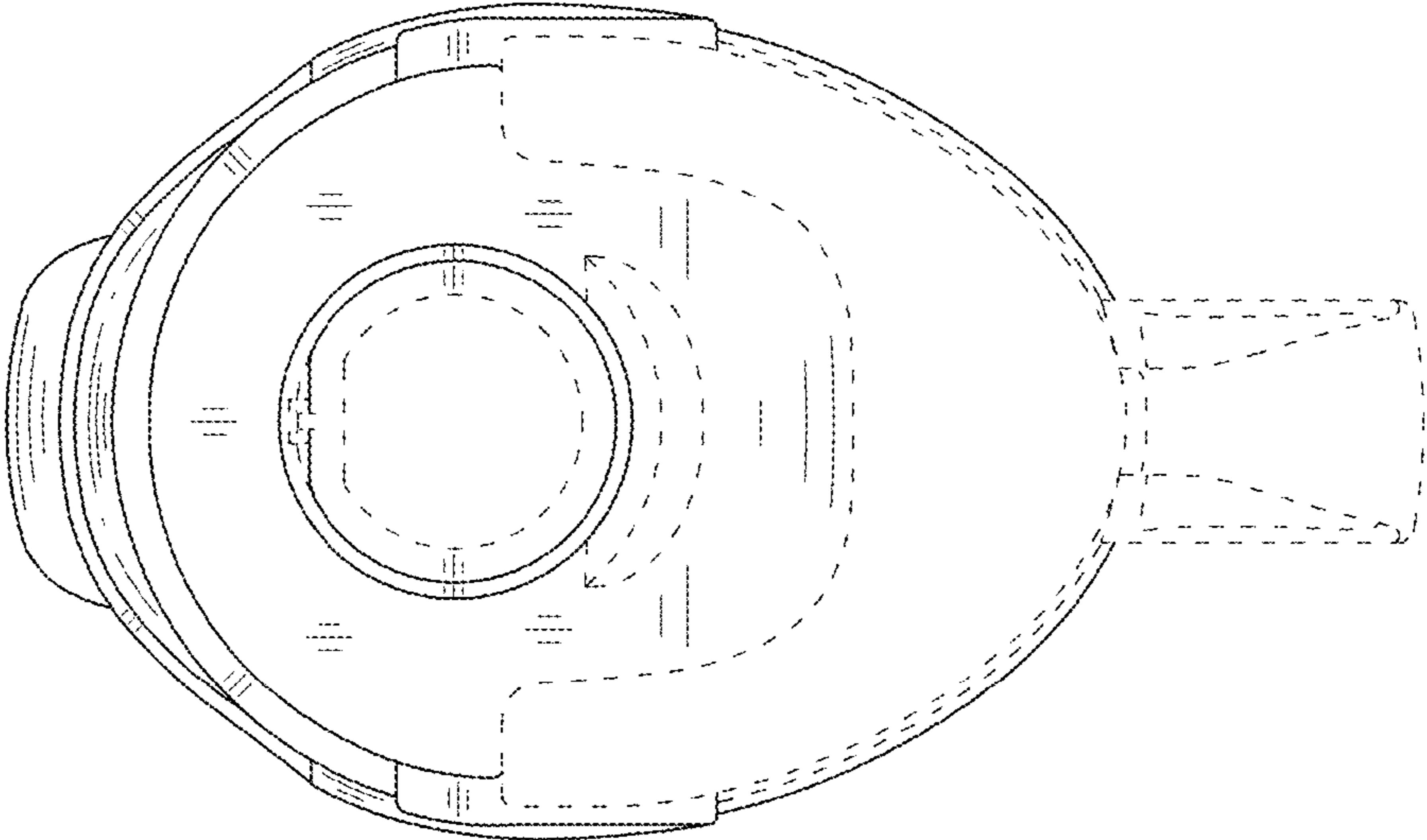


FIG. 3

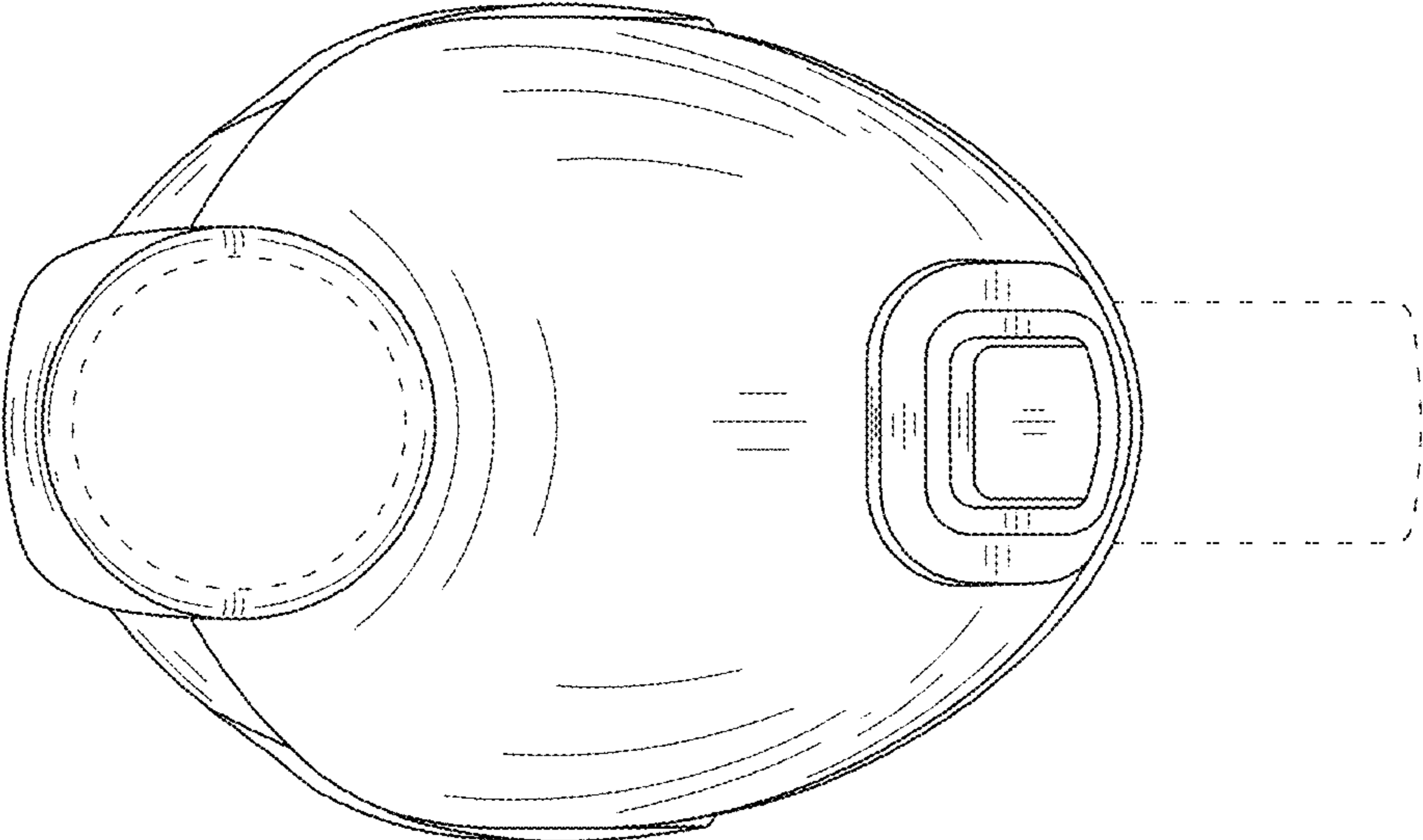


FIG. 4

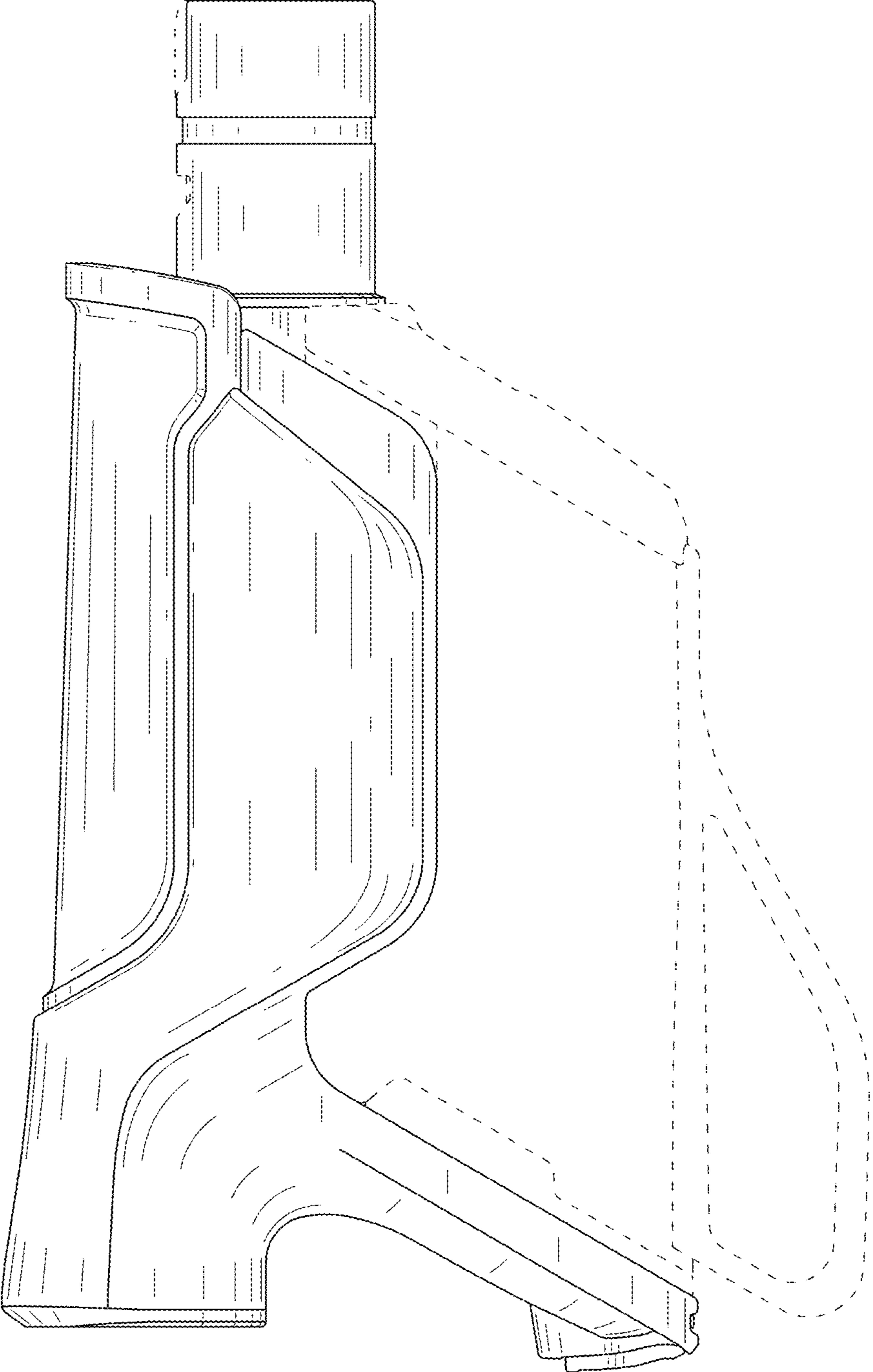


FIG. 5

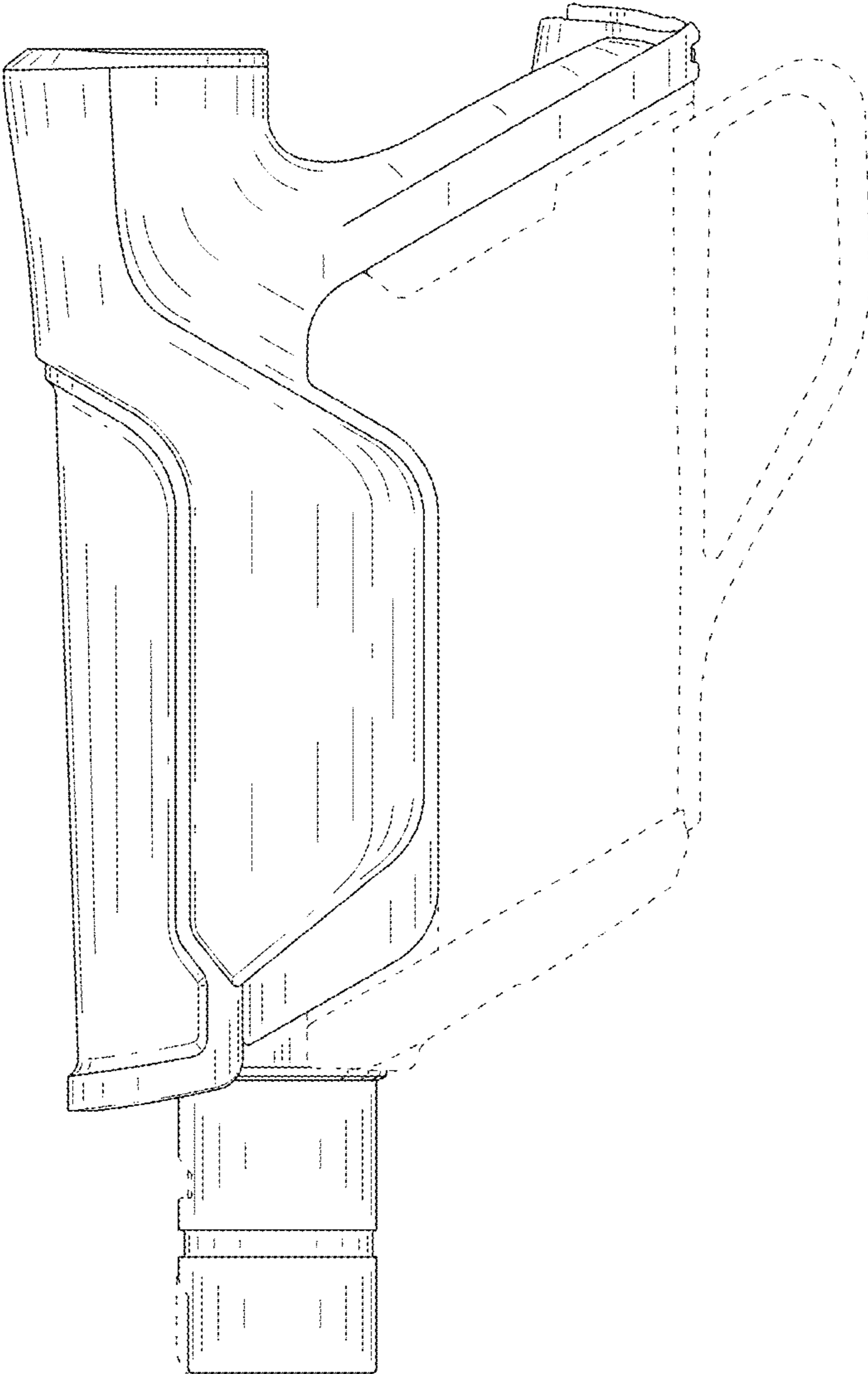


FIG. 6

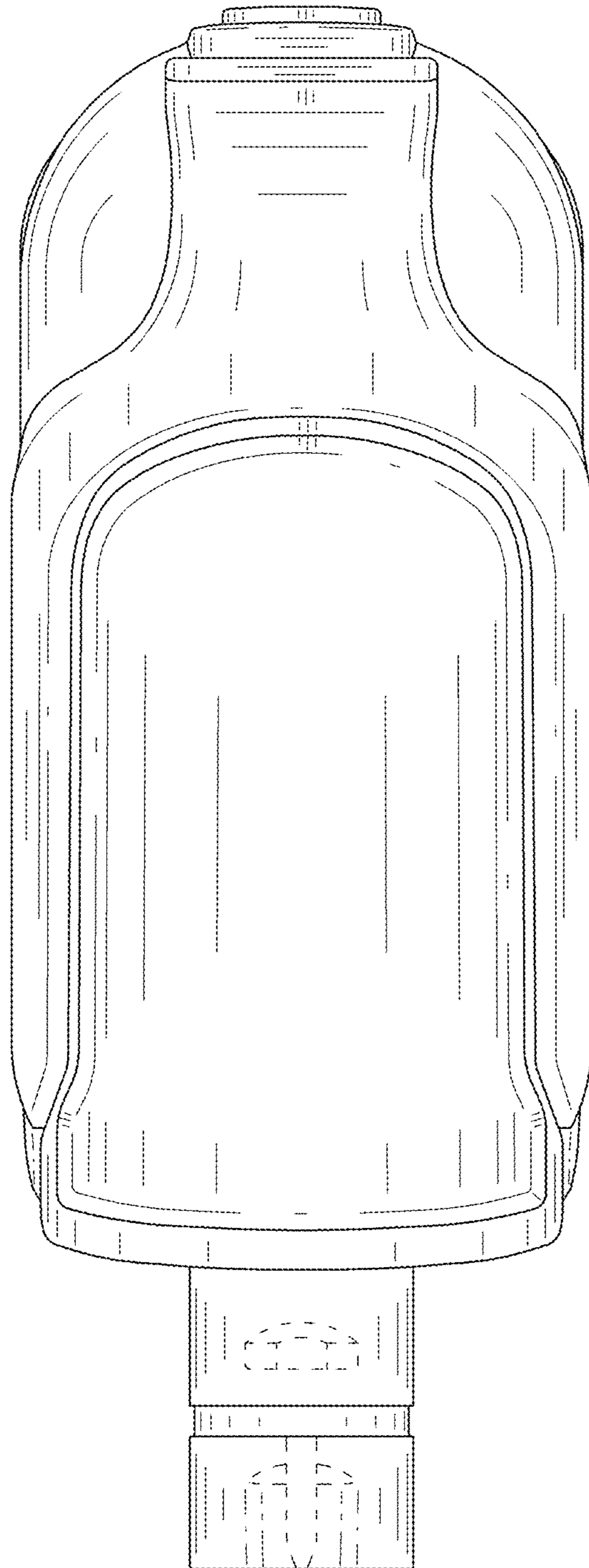


FIG. 7

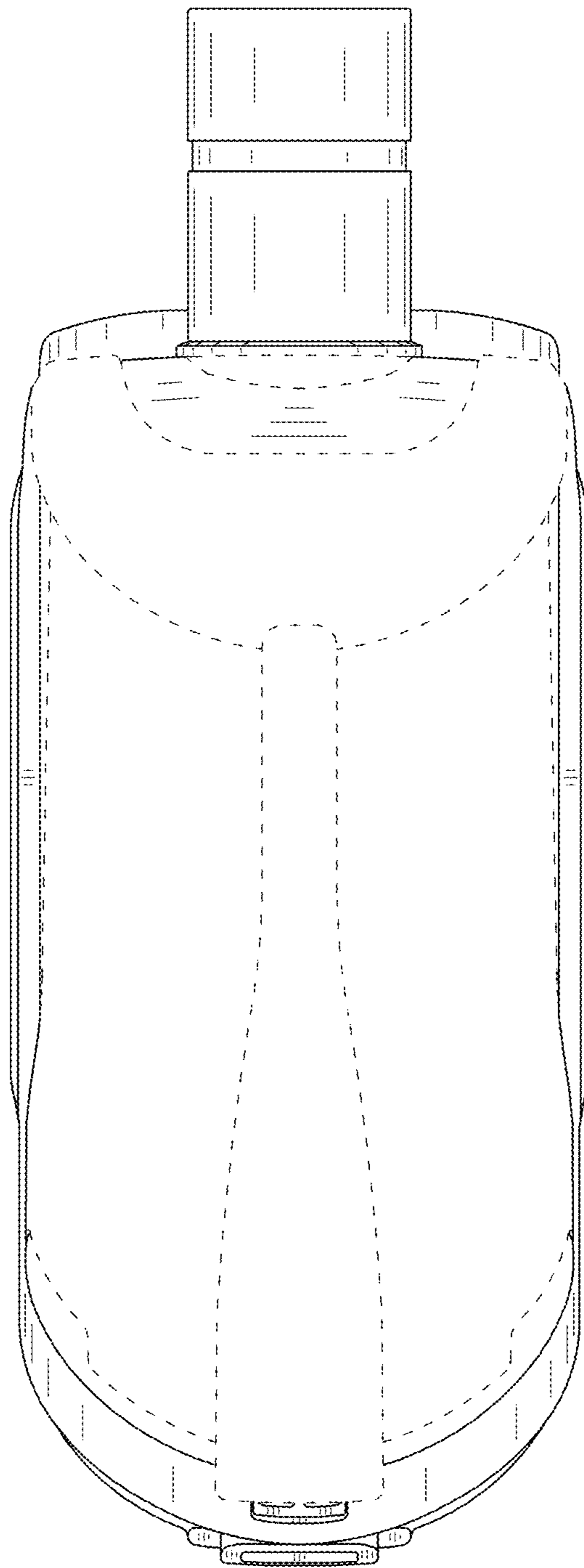


FIG. 8

