



US00D802230S

(12) **United States Design Patent**
Shoemaker et al.

(10) **Patent No.:** **US D802,230 S**

(45) **Date of Patent:** **** Nov. 7, 2017**

(54) **DISHWASHER**

(71) Applicant: **Sears Brands, L.L.C.**, Hoffman Estates, IL (US)

(72) Inventors: **Anthony Shoemaker**, Bartlett, IL (US); **Jason Silverstein**, Hoffman Estates, IL (US); **Daniel Green**, Charlotte, NC (US); **Roddy Burgess**, Charlotte, NC (US); **Trevor Haney**, Jenison, MI (US); **Joel Fletty**, Stevensville, MI (US)

(73) Assignee: **SEARS BRANDS, L.L.C.**, Hoffman Estates, IL (US)

(**) Term: **15 Years**

(21) Appl. No.: **29/573,448**

(22) Filed: **Aug. 5, 2016**

Related U.S. Application Data

(63) Continuation of application No. 29/528,352, filed on May 28, 2015, now abandoned.

(51) **LOC (10) Cl.** **15-05**

(52) **U.S. Cl.**
USPC **D32/2**

(58) **Field of Classification Search**
USPC D32/1, 2; D15/91; D7/405-406
CPC A47L 15/0076; A47L 15/0078; A47L 15/0081
See application file for complete search history.

(56) **References Cited**

U.S. PATENT DOCUMENTS

D190,249 S	5/1961	Linger
D495,102 S	8/2004	Kaczmarek
D511,870 S	11/2005	Paik
D512,543 S	12/2005	Jeong
D513,548 S	1/2006	Jeong

D540,497 S	*	4/2007	Song	D32/2
D543,321 S		5/2007	Jeon et al.		
D559,478 S	*	1/2008	Jung	D32/2
D571,062 S	*	6/2008	Suh	D32/2
D622,914 S	*	8/2010	Crookshanks	D32/3
D622,915 S	*	8/2010	Crookshanks	D32/3
D646,141 S	*	10/2011	Jeon	D8/316
D672,101 S	*	12/2012	Eng	D32/3
D680,809 S	*	4/2013	Kim	D7/402
D681,290 S	*	4/2013	Eng	D32/3
D688,518 S	*	8/2013	Baek	D7/402
D692,629 S		10/2013	Eng et al.		
D701,415 S	*	3/2014	Sin	D7/349
D702,897 S	*	4/2014	Eng	D32/3
D703,395 S	*	4/2014	Choi	D32/2
D720,100 S	*	12/2014	Roberson	D32/3
D729,992 S		5/2015	Haft et al.		
D730,593 S	*	5/2015	Eng	D32/3
9,084,527 B2		7/2015	Haft et al.		
D743,118 S		11/2015	Lee et al.		

(Continued)

Primary Examiner — Michael A. Pratt

Assistant Examiner — Michelle E Wilson

(74) *Attorney, Agent, or Firm* — McAndrews, Held & Malloy, Ltd.

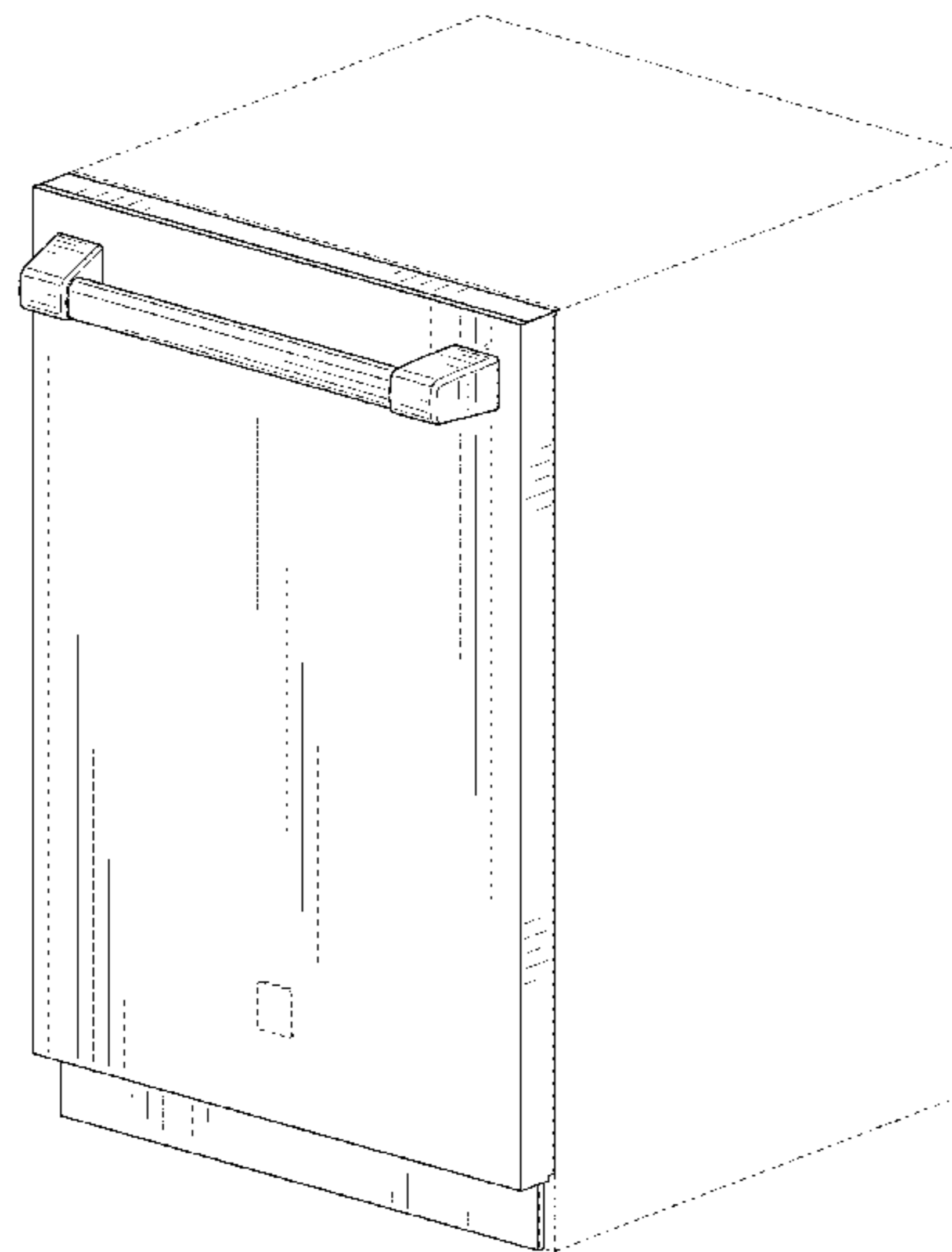
(57) **CLAIM**

The ornamental design for a dishwasher, as shown and described.

DESCRIPTION

FIG. 1 is a top right front perspective view of a dishwasher showing our new design;
FIG. 2 is a front view thereof;
FIG. 3 is a right-side elevation view thereof;
FIG. 4 is a left-side elevation view thereof;
FIG. 5 is a top plan view thereof; and,
FIG. 6 is a bottom plan view thereof.
The dashed broken lines are for environmental purposes only and form no part of the claimed design.

1 Claim, 6 Drawing Sheets



(56)

References Cited

U.S. PATENT DOCUMENTS

D746,003	S	*	12/2015	Shin	D32/2
D760,452	S	*	6/2016	Roberson	D32/2
D762,334	S	*	7/2016	Kim	D32/3
D779,262	S	*	2/2017	Kim	D7/348
D781,097	S	*	3/2017	Kim	D7/348
D787,878	S	*	5/2017	Kim	D7/348
D787,879	S	*	5/2017	Kim	D7/348
2011/0146734	A1	*	6/2011	Rappette	A47L 15/22 134/198

* cited by examiner

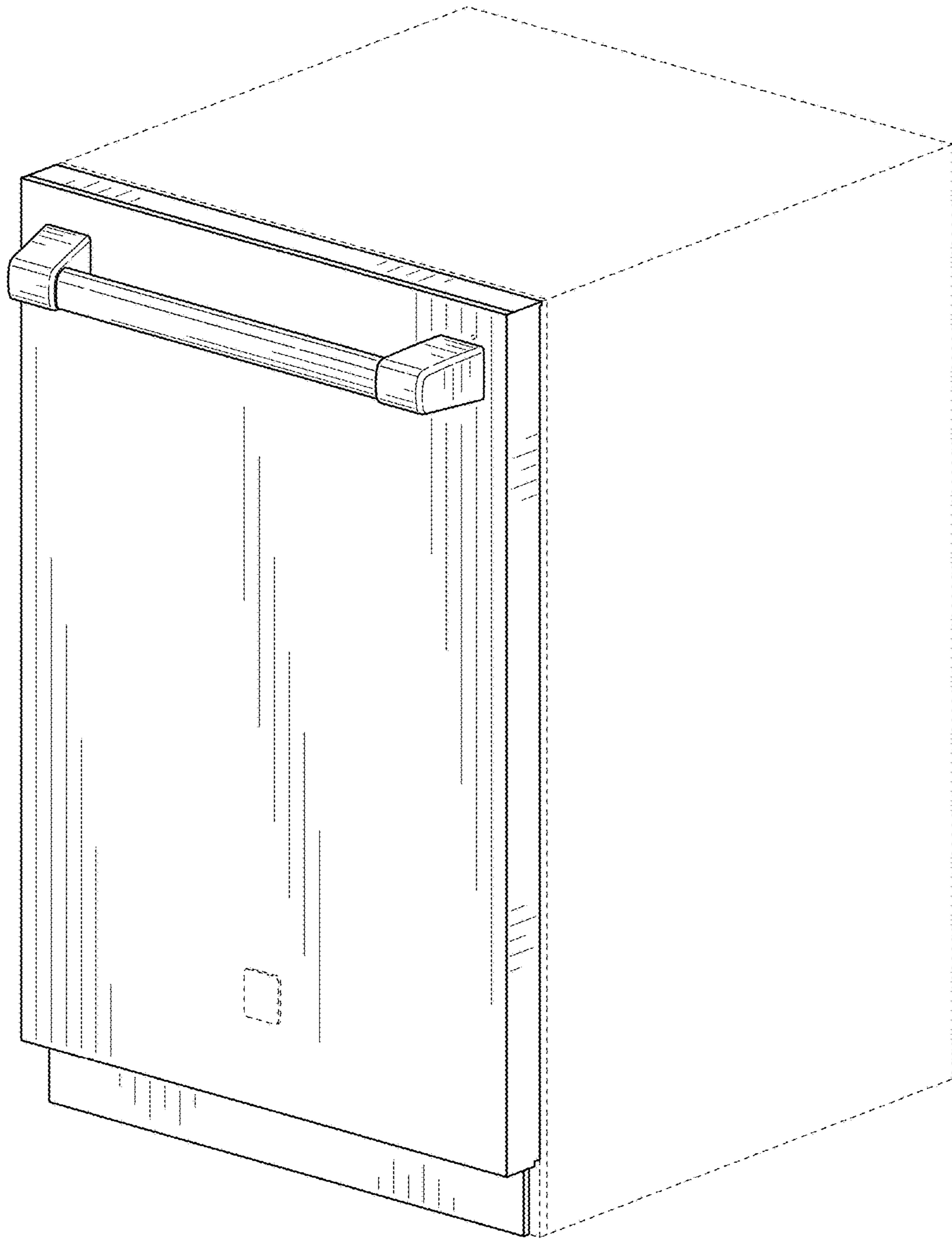


FIG. 1

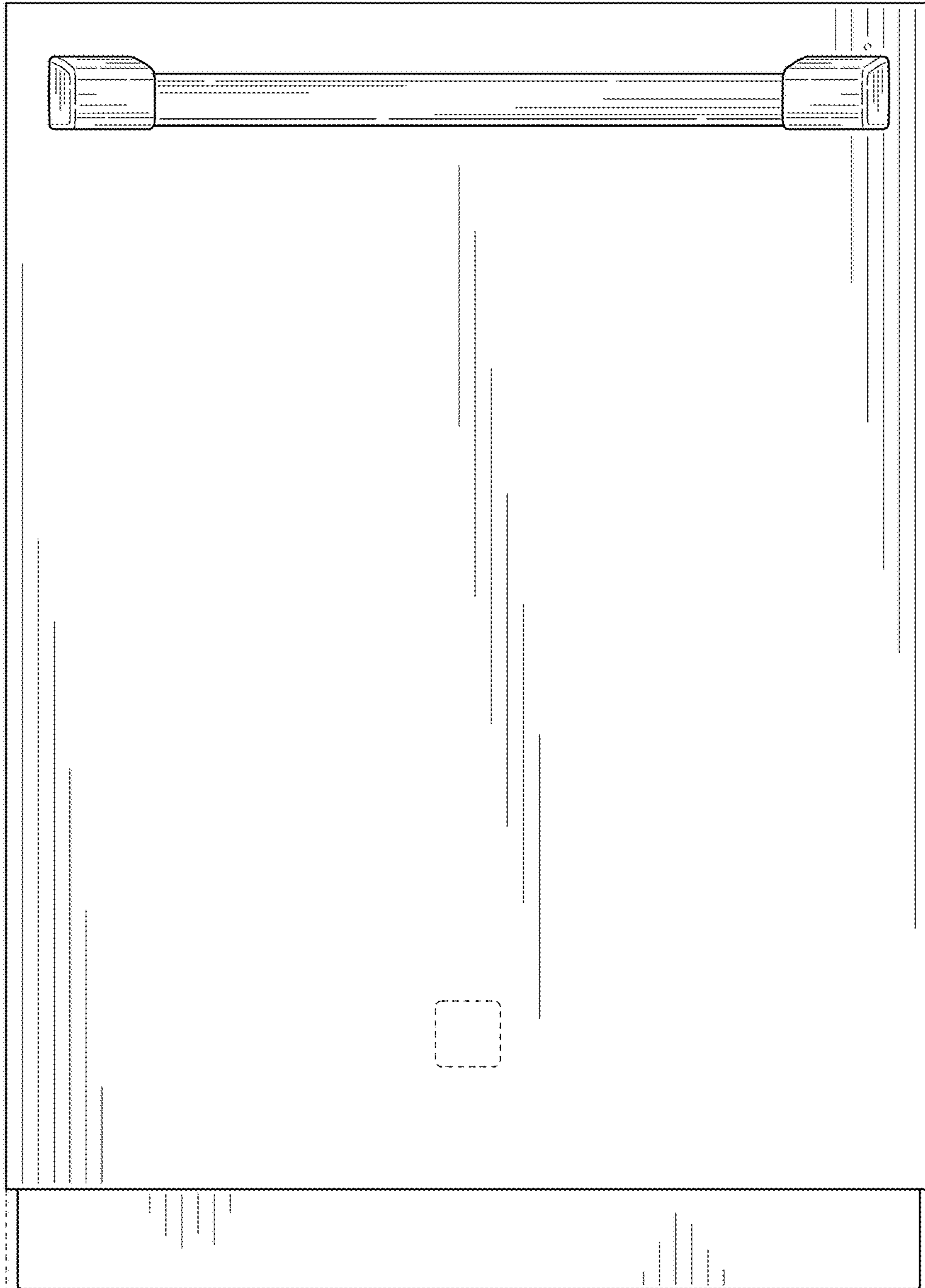


FIG. 2

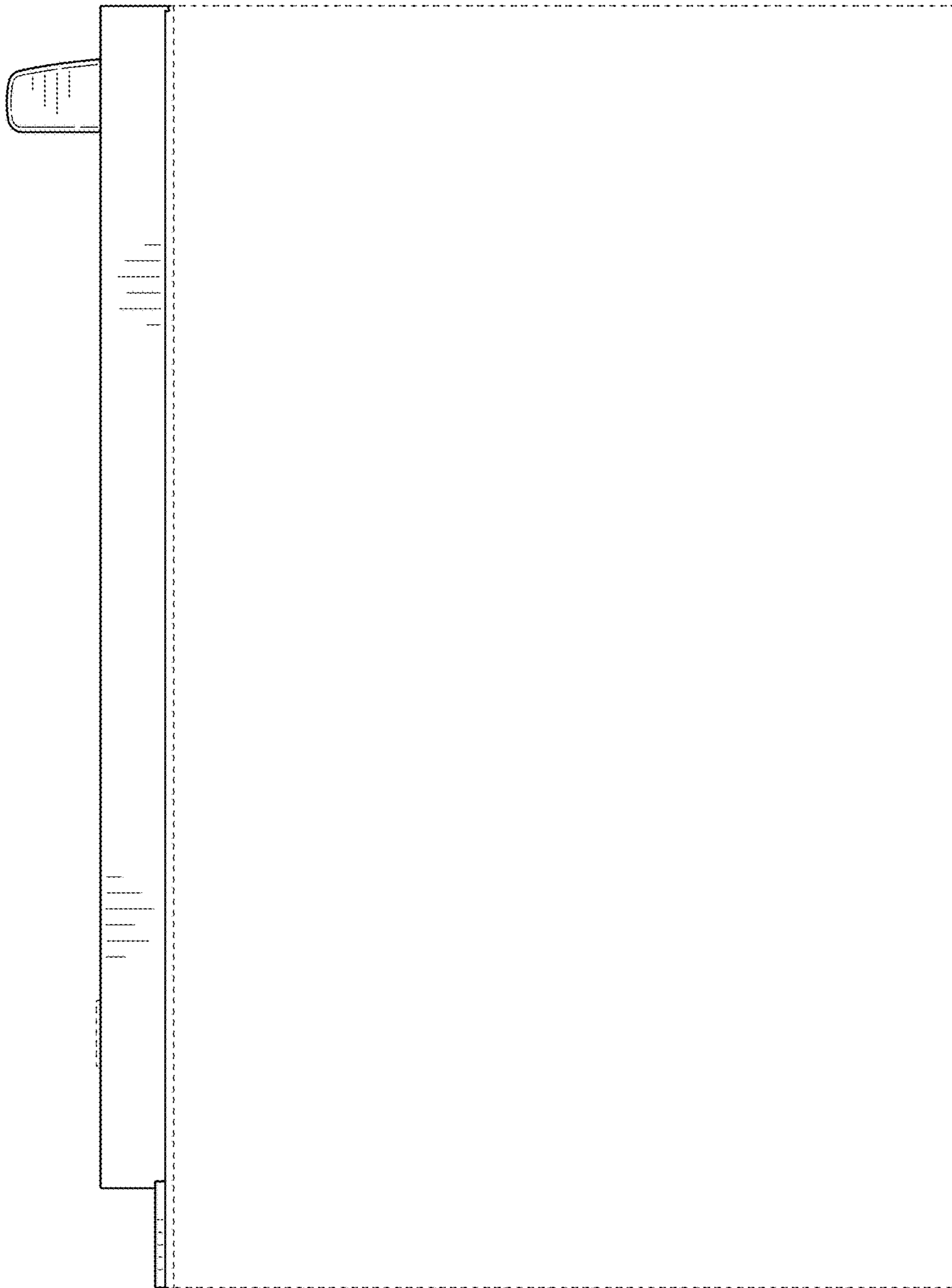


FIG. 3

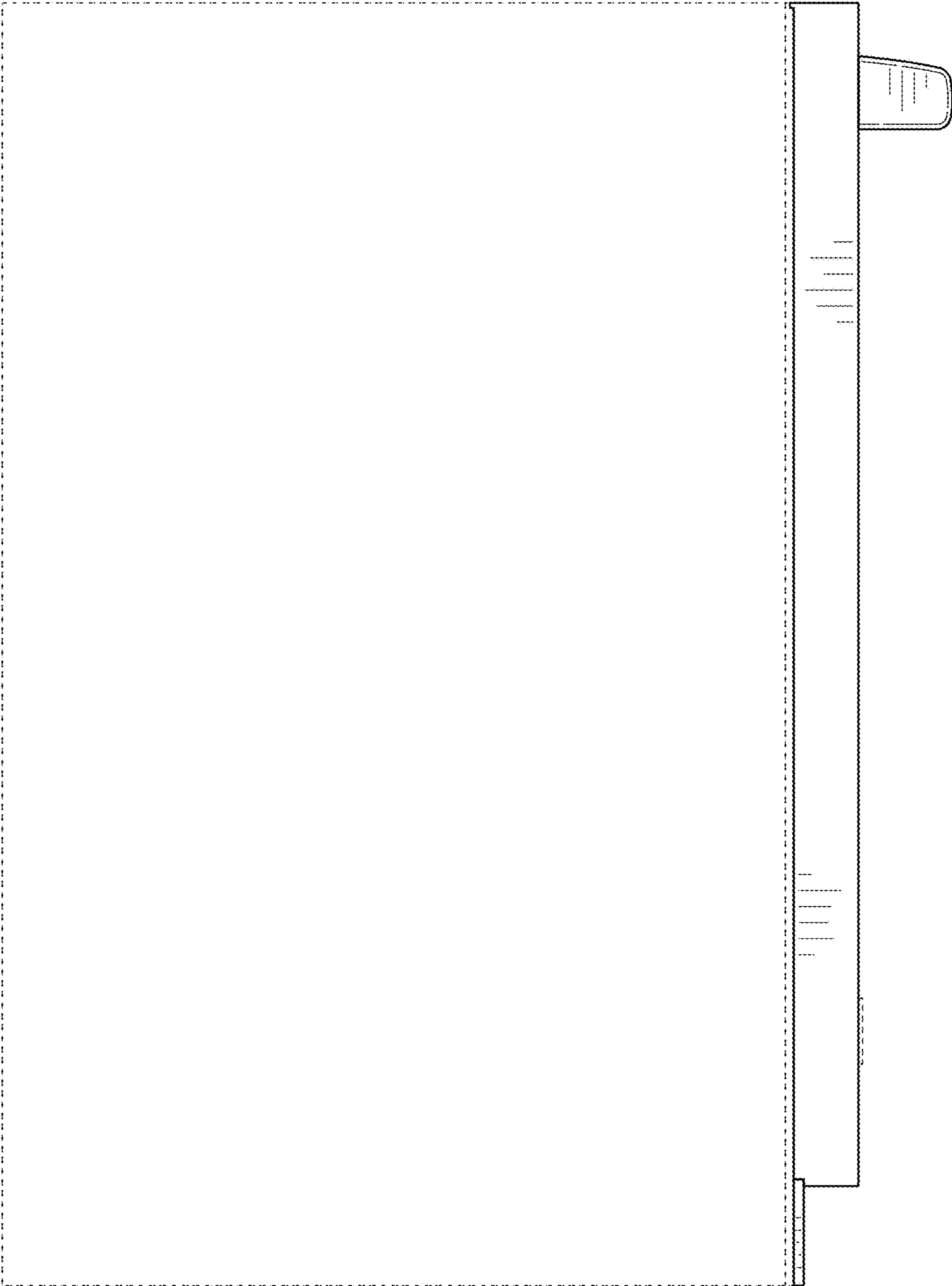


FIG. 4

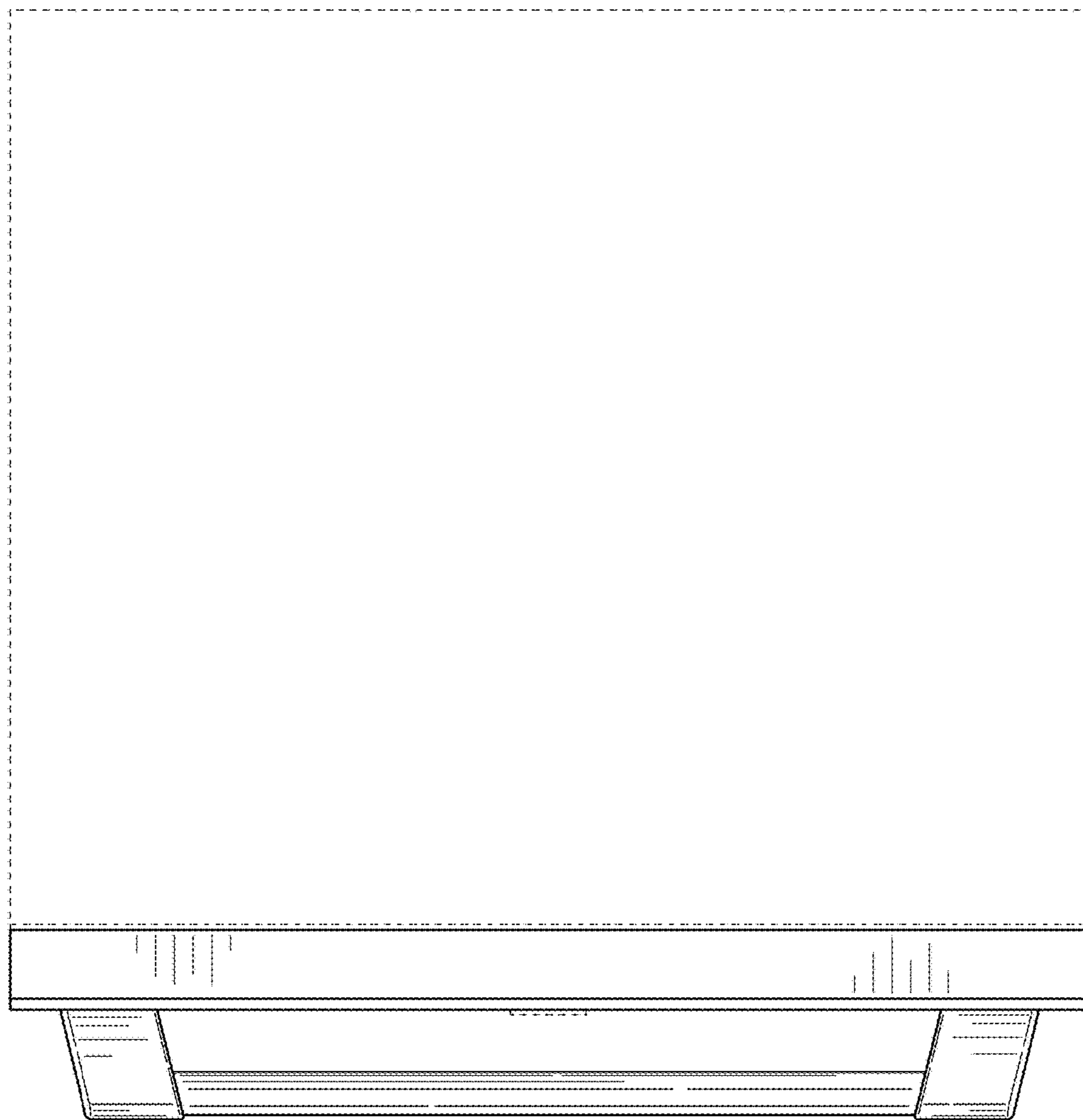


FIG. 5

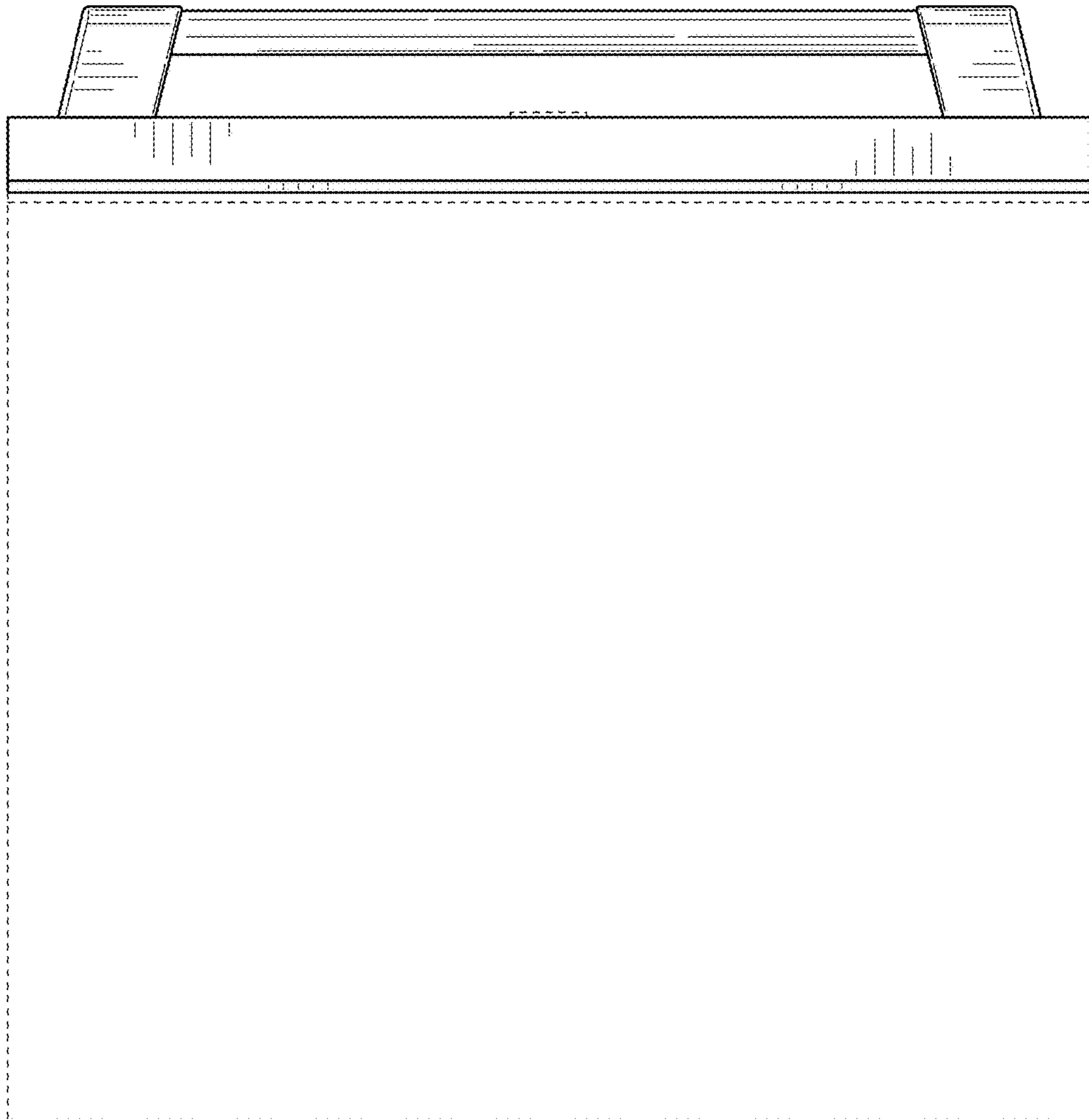


FIG. 6