



US00D802229S

(12) **United States Design Patent**  
**Rouayroux et al.**

(10) **Patent No.:** **US D802,229 S**  
(45) **Date of Patent:** **\*\* Nov. 7, 2017**

(54) **ANIMAL WASTE COLLECTION DEVICE**

FOREIGN PATENT DOCUMENTS

(71) Applicant: **9252-8595 Quebec, Inc.**, Montreal (CA)

DE 7437174 U 5/1975  
DE 2551114 A1 5/1977

(Continued)

(72) Inventors: **Thomas Rouayroux**, Montreal (CA);  
**Antoine Dallaire**, Montreal (CA);  
**Benoit Orban**, St-Lambert (CA)

*Primary Examiner* — Susan Moon Lee

(74) *Attorney, Agent, or Firm* — Nelson Mullins Riley & Scarborough, LLP

(73) Assignee: **9252-8595 Quebec Inc.**, Montreal (CA)

(\*\*) Term: **15 Years**

(57) **CLAIM**

(21) Appl. No.: **29/575,329**

The ornamental design of an animal waste collection device, substantially as shown and described.

(22) Filed: **Aug. 24, 2016**

(30) **Foreign Application Priority Data**

**DESCRIPTION**

Feb. 26, 2016 (CA) ..... 167213

(51) **LOC (10) Cl.** ..... **30-99**

(52) **U.S. Cl.**  
USPC ..... **D30/162; D30/161**

(58) **Field of Classification Search**  
USPC ..... D30/162, 199; 273/447; D8/4, 52, 58,  
D8/51; D34/1, 10, 28, 34, 35; D21/532;  
D29/124; D7/642, 644, 683, 685, 686,  
D7/687, 688; 119/867, 161;  
294/1.3–1.5, 19.2, 19.3, 86.4, 86.11,  
294/86.19, 86.42, 86.12, 86.17, 86.2,  
294/86.21, 86.24, 86.26, 86.32, 87.26,  
294/196–198, 210, 111, 49–57; 132/273,  
(Continued)

FIG. 1 is a top perspective view of an animal waste collection device embodying the design of the present invention, with its jaws in a closed position.  
FIG. 2 is a bottom perspective view thereof.  
FIG. 3 is a front view thereof.  
FIG. 4 is a rear view thereof.  
FIG. 5 is a left view thereof.  
FIG. 6 is a right view thereof.  
FIG. 7 is a top view thereof.  
FIG. 8 is a bottom view thereof.  
FIG. 9 is a top perspective view of the animal waste collection device of FIG. 1, with its jaws in an open position.  
FIG. 10 is a bottom perspective view thereof.  
FIG. 11 is a front view thereof.  
FIG. 12 is a rear view thereof.  
FIG. 13 is a left view thereof.  
FIG. 14 is a right view thereof.  
FIG. 15 is a top view thereof; and,  
FIG. 16 is a bottom view thereof.

(56) **References Cited**

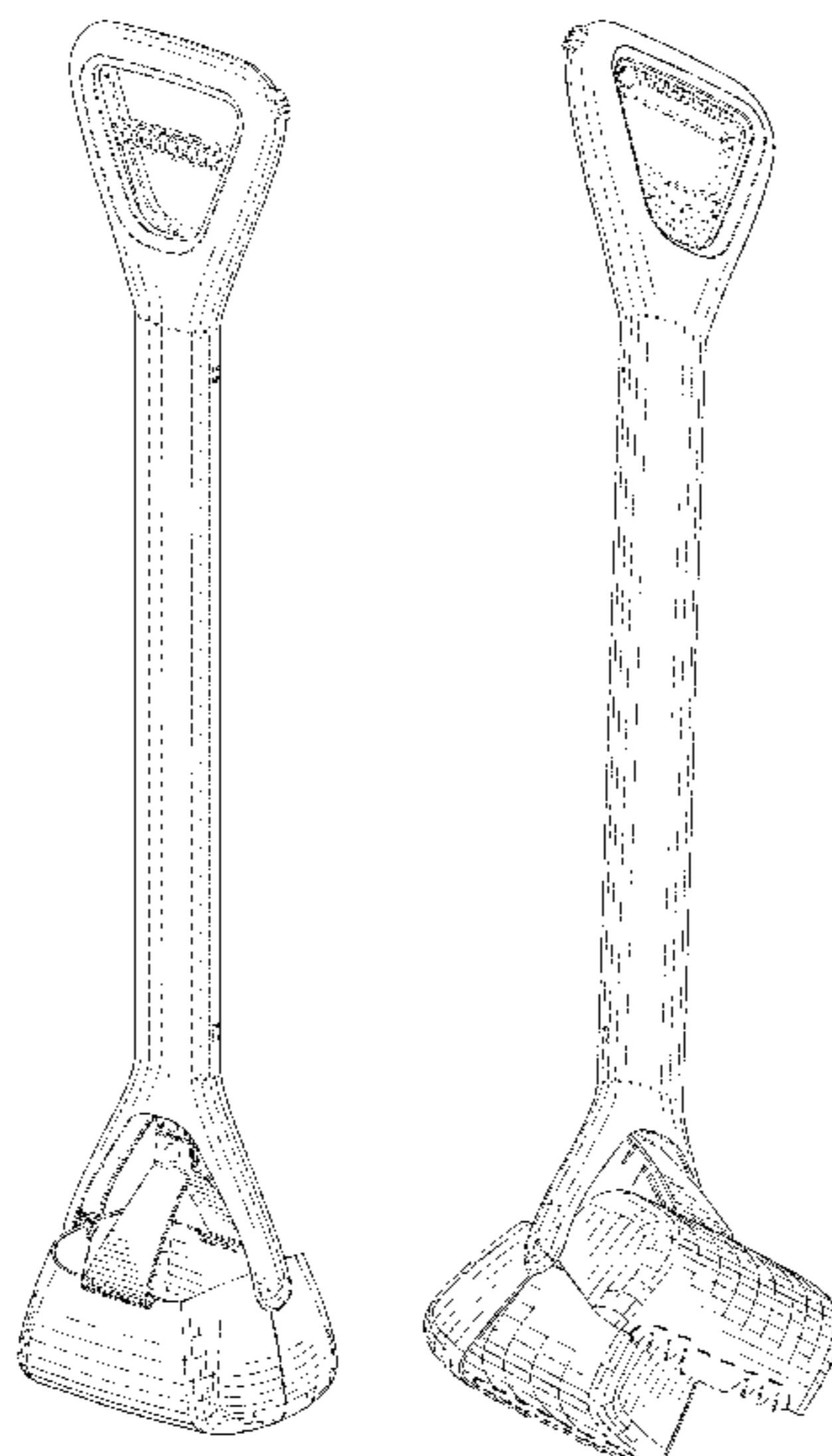
U.S. PATENT DOCUMENTS

1,220,481 A \* 3/1917 Wedge ..... B25B 9/00  
294/115  
2,028,680 A \* 1/1936 Mayeda et al. .... A01B 1/18  
294/115

The portions shown in broken lines, and the shading and/or stippling, are for illustrative purposes only and form no part of the claimed design.

(Continued)

**1 Claim, 8 Drawing Sheets**



**(58) Field of Classification Search**

USPC ..... 132/277, 283, 284, 128–156, 236, 252,  
132/259–263; 15/257.1; 446/424–428,  
446/491, 330, 86  
CPC ..... A01K 1/01; E01H 1/1206; E01H 1/12;  
E01H 1/1213; E01H 2001/122; E01H  
2001/1226; E01H 2001/1233; E01H  
2001/1246; E01H 2001/1293; A63H  
17/266; A63H 17/12; A63H 17/26; A63H  
23/005; A63H 23/16; A63H 33/3044;  
A63H 33/3072; B25J 1/02; B25J 1/06  
See application file for complete search history.

5,320,393 A 6/1994 Cortinas  
5,326,143 A \* 7/1994 Babler ..... E01H 1/1206  
294/1.4  
D351,265 S \* 10/1994 Pierce ..... 15/257.6  
5,380,054 A \* 1/1995 Galvis ..... E01H 1/1206  
294/1.4  
D368,003 S \* 3/1996 Simon ..... D30/162  
D369,444 S \* 4/1996 Ubdegrove ..... D30/162  
5,503,442 A \* 4/1996 Lee ..... E01H 1/1206  
294/1.4  
5,601,321 A \* 2/1997 Simon ..... E01H 1/1206  
294/1.4  
5,620,220 A \* 4/1997 Khoshnood ..... E01H 1/1206  
294/1.3  
5,628,537 A \* 5/1997 Kiemer ..... E01H 1/1206  
294/1.4

**(56) References Cited**

**U.S. PATENT DOCUMENTS**

2,230,498 A \* 2/1941 Loos ..... B66C 3/02  
294/106  
2,430,802 A \* 11/1947 Catlin ..... A01B 1/026  
294/58  
2,579,484 A \* 12/1951 Fenton ..... A01B 1/02  
294/57  
3,139,299 A \* 6/1964 Bowen ..... E01H 1/1206  
111/115  
3,194,597 A \* 7/1965 Lasch, Jr. .... B25J 1/04  
15/257.6  
3,328,066 A \* 6/1967 Johnston ..... B25J 1/04  
294/1.4  
3,446,525 A \* 5/1969 Jones ..... E01H 1/1206  
294/1.4  
3,716,263 A \* 2/1973 Gatti ..... A47L 13/52  
294/1.4  
3,733,098 A \* 5/1973 Tobias ..... B65D 5/10  
294/1.4  
3,738,697 A \* 6/1973 Kahan ..... B65D 75/22  
294/1.4  
3,807,589 A \* 4/1974 Shovick ..... E02F 3/404  
37/303  
3,841,686 A 10/1974 Gallo et al.  
3,929,363 A \* 12/1975 Kahan ..... B65D 75/22  
294/1.4  
4,042,269 A \* 8/1977 Skermetta ..... A01K 23/005  
15/257.3  
4,119,337 A \* 10/1978 Sherhandt ..... E01H 1/1206  
294/1.4  
4,179,145 A \* 12/1979 Shinsako ..... E01H 1/1206  
294/1.4  
D253,915 S \* 1/1980 Hennessy ..... D30/162  
4,194,777 A \* 3/1980 Carns ..... E01H 1/1206  
294/1.4  
4,200,319 A \* 4/1980 Cooper ..... E01H 1/1206  
294/1.4  
4,225,174 A \* 9/1980 Hennessy ..... B25J 1/04  
294/1.4  
4,247,139 A \* 1/1981 Grieb ..... E01H 1/1206  
294/1.4  
4,248,468 A \* 2/1981 Hastings ..... E01H 1/1206  
294/1.4  
4,316,627 A \* 2/1982 Solypa ..... E01H 1/1206  
15/257.6  
4,477,111 A \* 10/1984 Crooks ..... E01H 1/1206  
294/1.4  
D281,108 S \* 10/1985 Wilson ..... 294/1.4  
4,741,566 A \* 5/1988 Byung-Do ..... A01K 23/005  
15/104.8  
4,854,626 A \* 8/1989 Duke ..... B25J 1/04  
294/104  
4,951,987 A \* 8/1990 Lebeau ..... E01H 1/1206  
294/1.4  
5,033,781 A \* 7/1991 Flood ..... E01H 1/1206  
15/257.6  
5,056,842 A \* 10/1991 Lindenberg ..... E01H 1/1206  
294/1.4

D398,818 S \* 9/1998 Tisbo ..... D8/8  
D405,330 S \* 2/1999 Whitehead ..... D8/10  
6,131,972 A \* 10/2000 Whitehead ..... B25G 1/102  
16/430  
6,135,520 A \* 10/2000 Miller ..... E01H 1/1206  
294/1.4  
6,571,505 B1 \* 6/2003 Poiencot, Jr. .... A01K 97/14  
119/806  
6,827,378 B1 \* 12/2004 Wong ..... E01H 1/1206  
294/1.4  
6,983,966 B2 1/2006 Azrikam  
6,986,325 B1 \* 1/2006 Hsu ..... E01H 1/1206  
119/161  
7,077,443 B1 \* 7/2006 Jones ..... A01K 23/005  
294/1.4  
7,093,869 B2 8/2006 Jung  
7,448,659 B1 \* 11/2008 Auseklis ..... E01H 1/1206  
294/1.4  
D592,920 S \* 5/2009 Boies ..... D8/10  
D604,913 S \* 11/2009 Boghozian ..... D30/162  
D604,914 S \* 11/2009 Boghozian ..... D30/162  
D616,263 S \* 5/2010 Lee ..... D7/686  
D618,973 S \* 7/2010 Gosselin ..... D8/10  
D623,492 S \* 9/2010 James ..... D30/162  
D634,490 S \* 3/2011 Weber ..... D30/162  
7,992,907 B1 8/2011 Dejesus  
8,011,705 B1 \* 9/2011 Holbrook ..... E01H 1/1206  
294/1.4  
D665,954 S \* 8/2012 Diehl ..... D30/162  
8,292,339 B1 \* 10/2012 Auseklis ..... E01H 1/1206  
294/1.4  
D679,154 S \* 4/2013 Sawicki ..... D7/686  
8,408,615 B1 \* 4/2013 Patel ..... E01H 1/1206  
294/1.4  
8,449,007 B2 \* 5/2013 Farmer ..... E01H 1/1206  
294/1.4  
8,714,604 B1 \* 5/2014 Mihalic ..... E01H 1/1206  
294/1.4  
8,833,817 B2 \* 9/2014 Kovarik ..... E01H 1/1206  
294/1.4  
D720,020 S \* 12/2014 Chen ..... D21/532  
8,939,481 B1 1/2015 Qi  
9,080,343 B2 \* 7/2015 Jones ..... E04H 4/1609  
9,139,970 B1 \* 9/2015 Little ..... E01H 1/1206  
9,187,871 B1 \* 11/2015 Contreras ..... E01H 1/1206  
9,198,337 B2 \* 12/2015 Walsh ..... A01B 1/026  
9,469,951 B1 \* 10/2016 Qi ..... E01H 1/1206  
D782,894 S \* 4/2017 DePietro ..... D8/107  
9,656,808 B2 \* 5/2017 Rivas ..... B65G 7/12  
2004/0130169 A1 \* 7/2004 Askingsi ..... E01H 1/1206  
294/1.4  
2004/0145196 A1 \* 7/2004 Katz ..... E01H 1/1206  
294/1.4  
2004/0169384 A1 \* 9/2004 Boutwell ..... E01H 1/1206  
294/1.4  
2005/0218675 A1 \* 10/2005 Jung ..... E01H 1/1206  
294/1.4  
2006/0163889 A1 \* 7/2006 Tsai ..... E01H 1/1206  
294/1.4  
2007/0194580 A1 \* 8/2007 Raasch ..... E01H 1/1206  
294/1.4

(56)

References Cited

U.S. PATENT DOCUMENTS

2008/0012366 A1\* 1/2008 Tsukamoto ..... A01K 23/005  
294/1.5  
2008/0030033 A1\* 2/2008 Taylor ..... E01H 1/1206  
294/1.4  
2008/0042456 A1\* 2/2008 Patel ..... E01H 1/1206  
294/1.3  
2008/0265592 A1\* 10/2008 Askinasi ..... E01H 1/1206  
294/1.4  
2008/0303295 A1\* 12/2008 Moreno Fernandez De  
Betono ..... E01H 1/1206  
294/1.3  
2008/0303296 A1\* 12/2008 Waltz ..... E01H 1/1206  
294/1.4  
2009/0085363 A1\* 4/2009 Tsukamoto ..... A01K 23/005  
294/1.4  
2009/0179441 A1\* 7/2009 O'Hare ..... E01H 1/1206  
294/1.4  
2009/0261603 A1\* 10/2009 Boghozian ..... E01H 1/1206  
294/1.3  
2009/0278366 A1\* 11/2009 Lipscomb ..... A01K 1/0114  
294/1.4  
2010/0253104 A1\* 10/2010 Kirwin ..... E01H 1/1206  
294/1.3  
2011/0193359 A1 8/2011 Howard  
2012/0186037 A1\* 7/2012 Reynolds ..... A47L 5/24  
15/347  
2012/0274089 A1\* 11/2012 Green ..... E01H 1/1206  
294/1.4

2012/0292933 A1\* 11/2012 Krupp ..... E01H 1/1206  
294/1.4  
2013/0062896 A1\* 3/2013 Ahern ..... A01K 29/00  
294/1.4  
2013/0270846 A1\* 10/2013 Buhagiar ..... E01H 1/1206  
294/1.4  
2014/0203579 A1\* 7/2014 Qiu ..... E01H 1/1206  
294/1.4  
2015/0042112 A1\* 2/2015 Briski ..... E01H 1/1206  
294/1.4  
2015/0102618 A1\* 4/2015 Dixit ..... E01H 1/1206  
294/1.4  
2015/0167264 A1\* 6/2015 Naseem ..... E01H 1/1206  
294/1.4  
2016/0153158 A1\* 6/2016 Karius ..... E01H 1/1206  
294/1.4  
2016/0376760 A1\* 12/2016 Johnson ..... E01H 1/1206  
294/1.4  
2017/0037588 A1\* 2/2017 Huitt ..... E01H 1/006  
2017/0191235 A1\* 7/2017 Bean ..... E01H 1/1206

FOREIGN PATENT DOCUMENTS

DE 8810225 U1 12/1988  
DE 202005016219 U1 2/2006  
EP 0984104 A1 3/2000  
FR 2832436 A1 5/2003  
FR 2832437 A1 5/2003  
WO 2006104492 A2 10/2006

\* cited by examiner

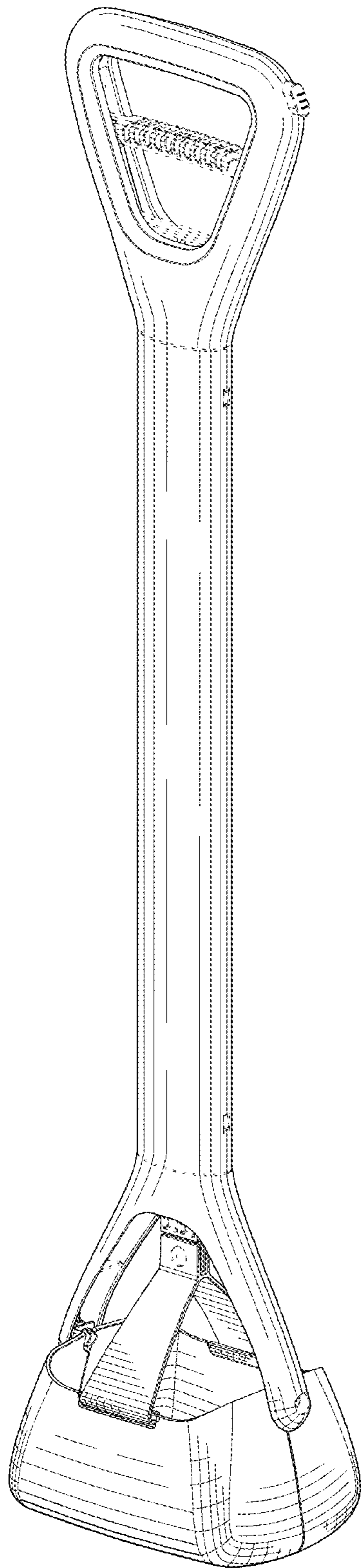


FIG.1

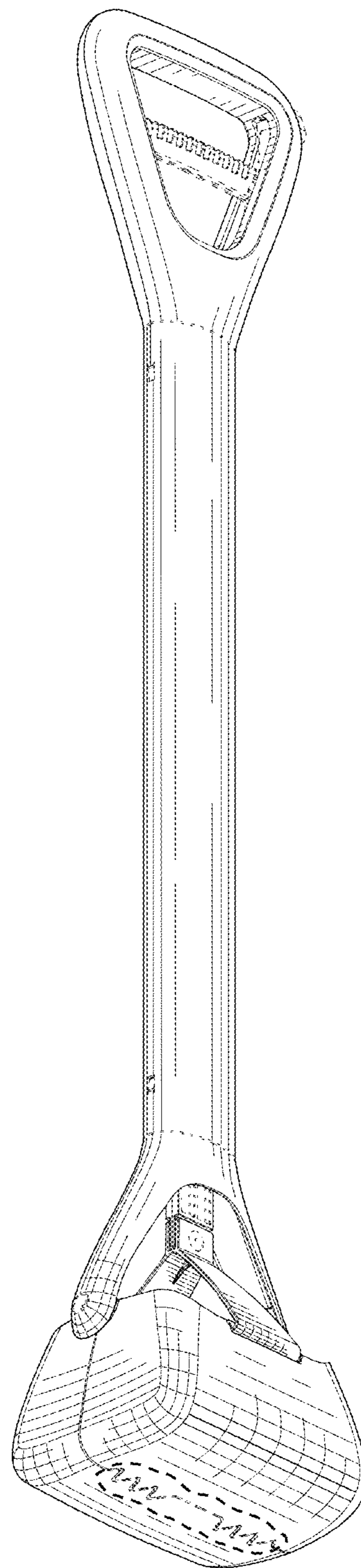


FIG.2

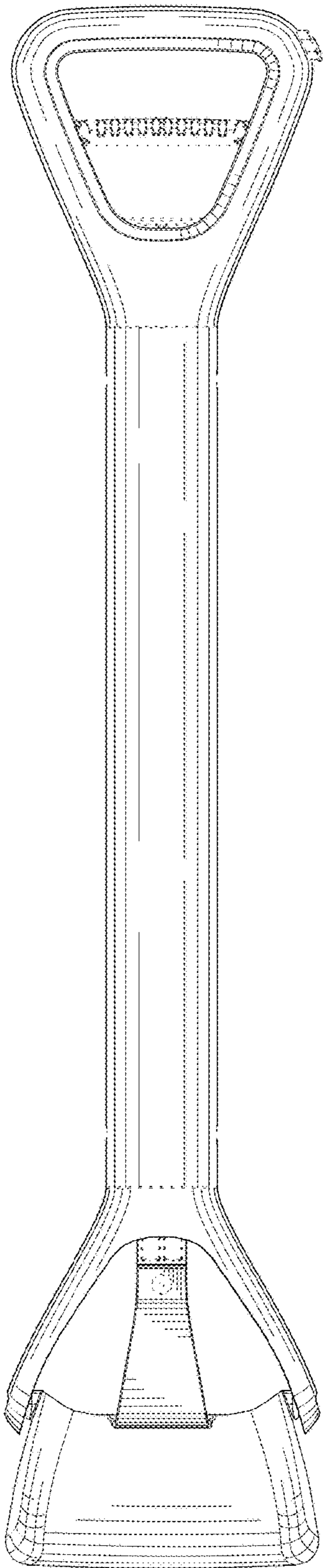


FIG.3

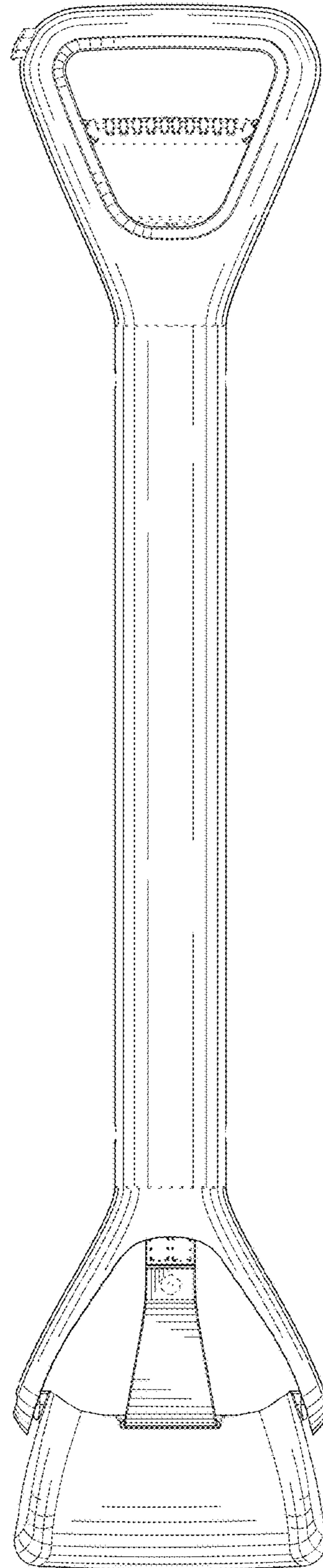


FIG.4

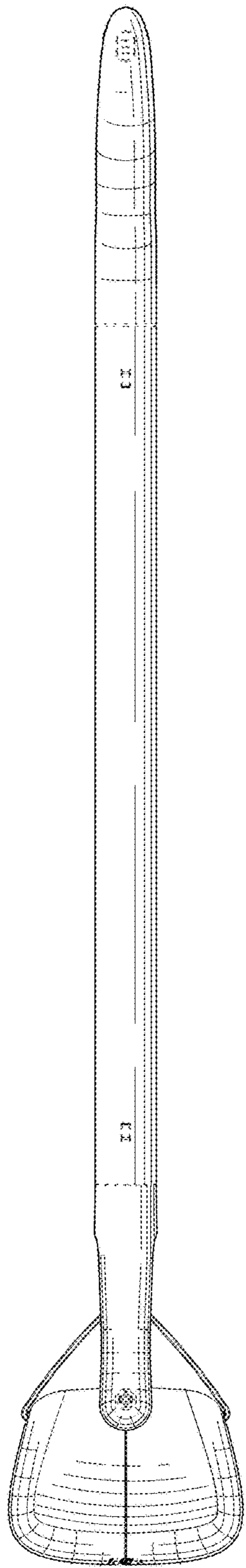


FIG. 5

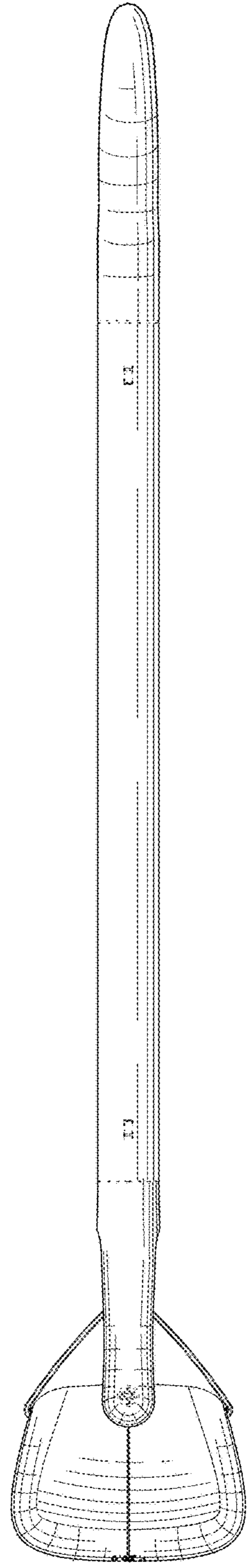


FIG. 6

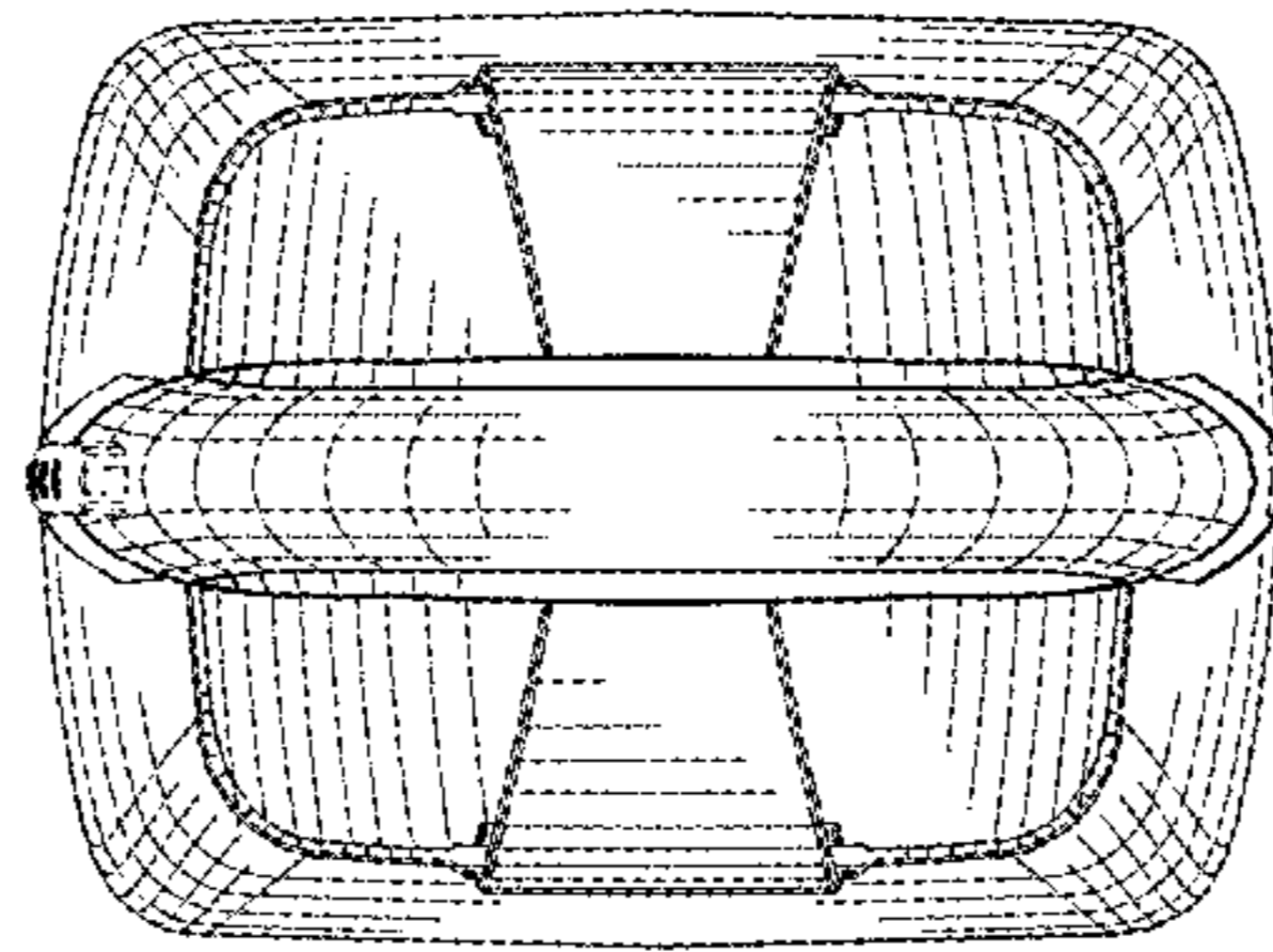


FIG. 7

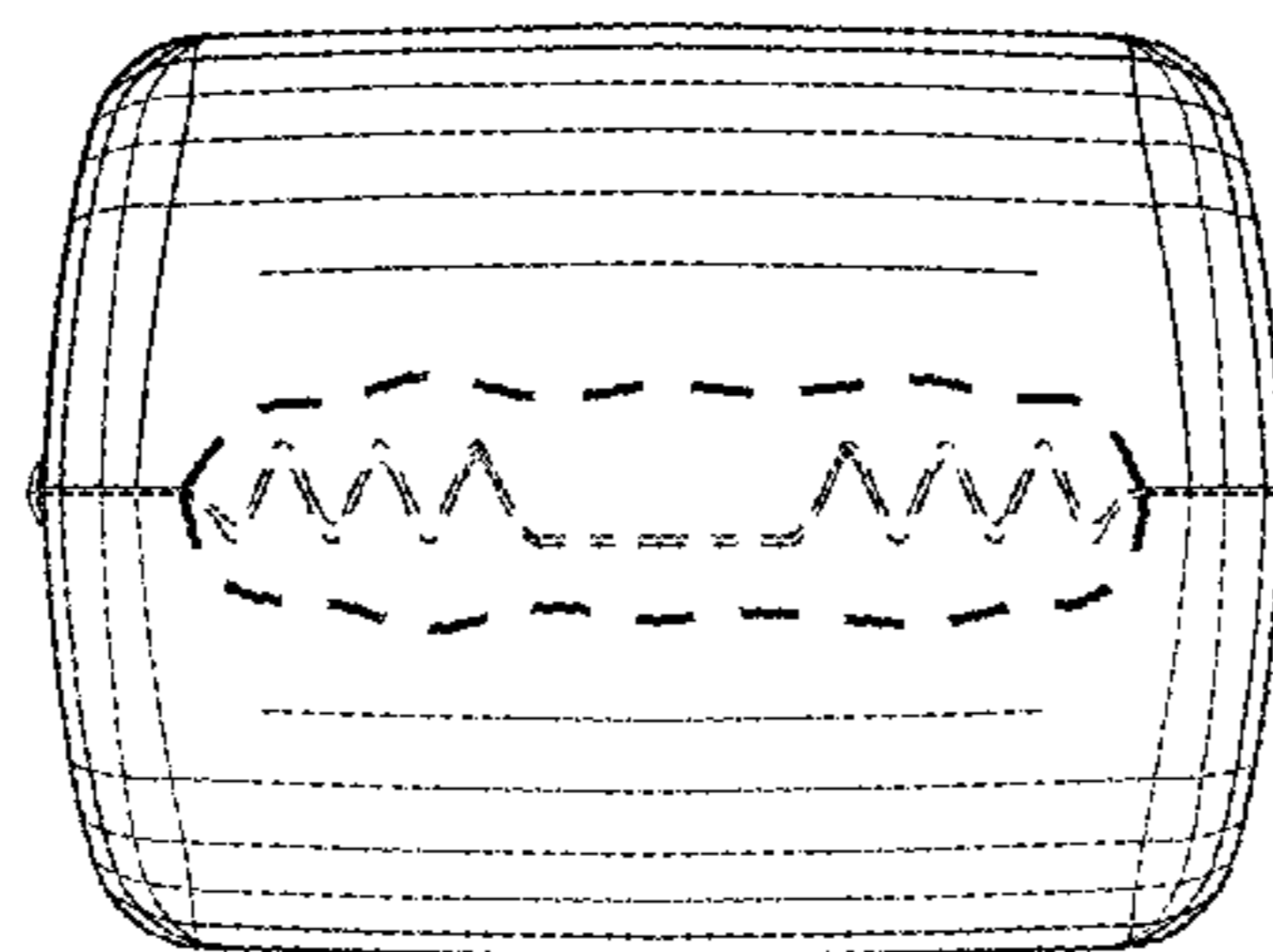


FIG. 8

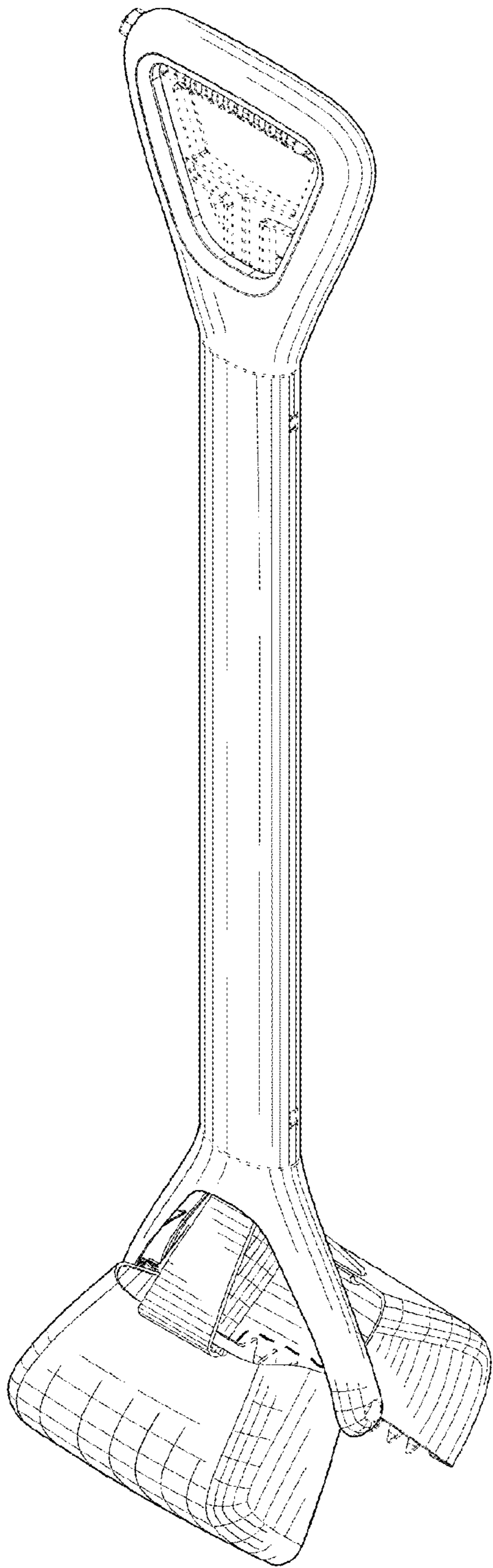


FIG. 9

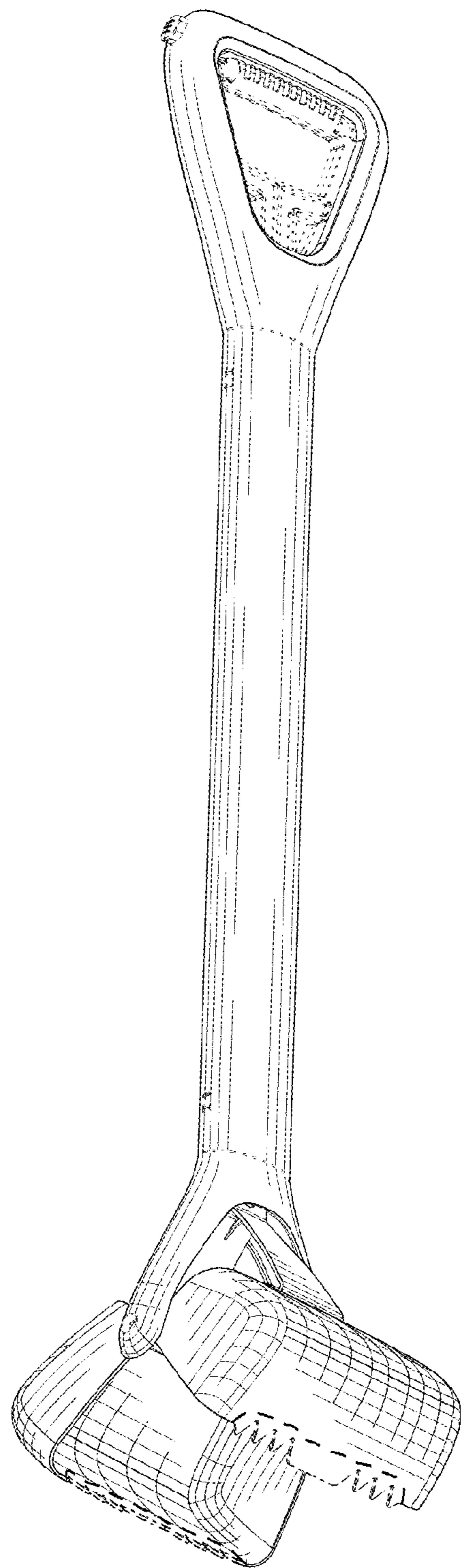


FIG. 10



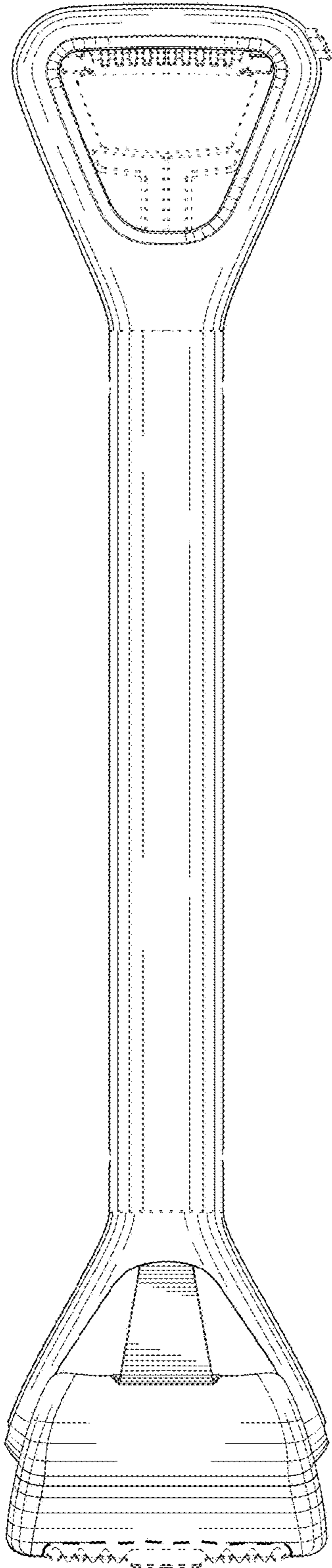


FIG. 11

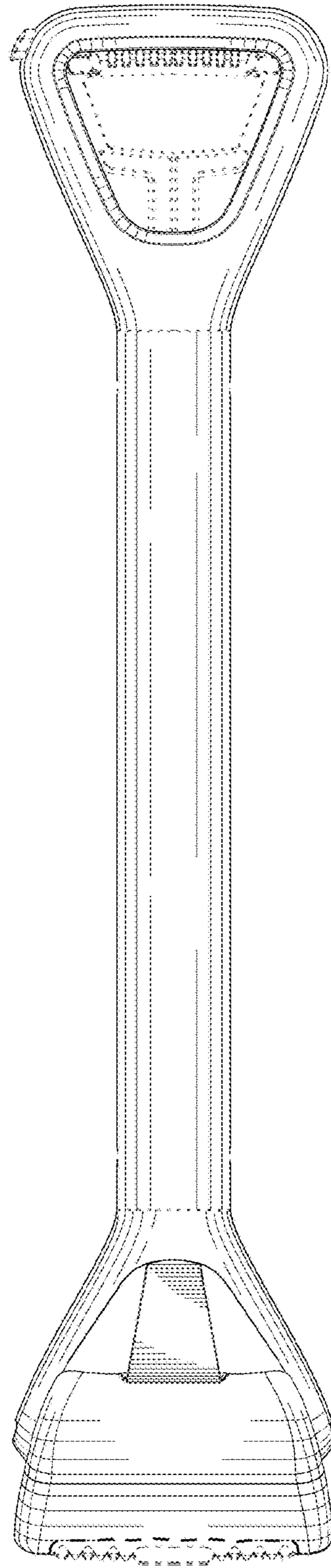


FIG. 12

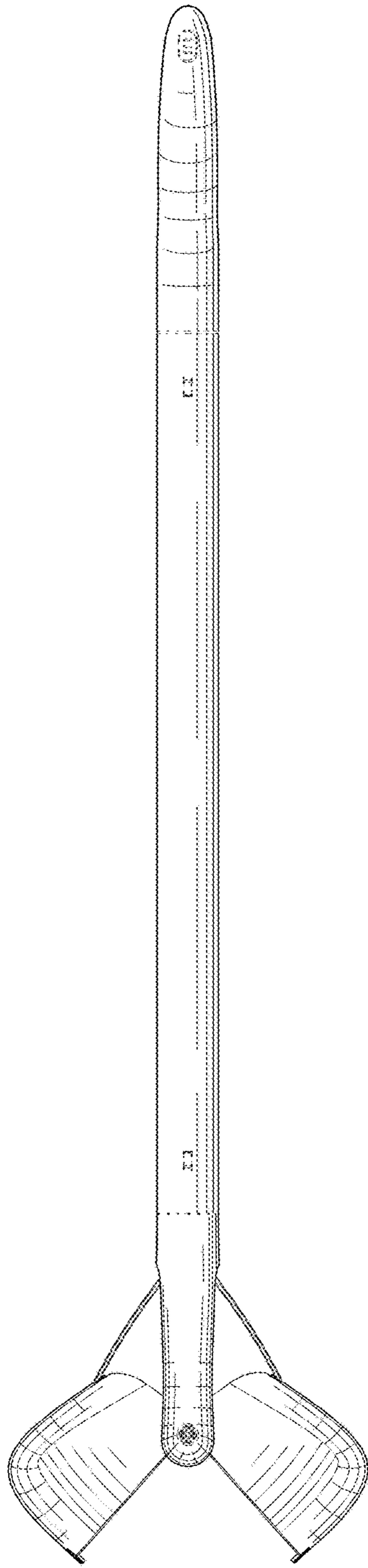


FIG. 13

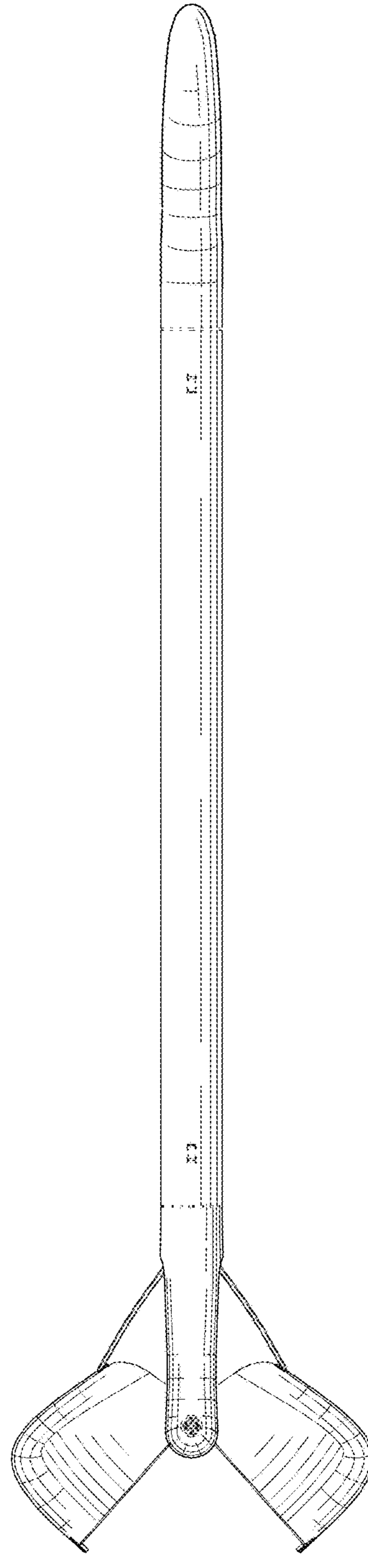


FIG. 14

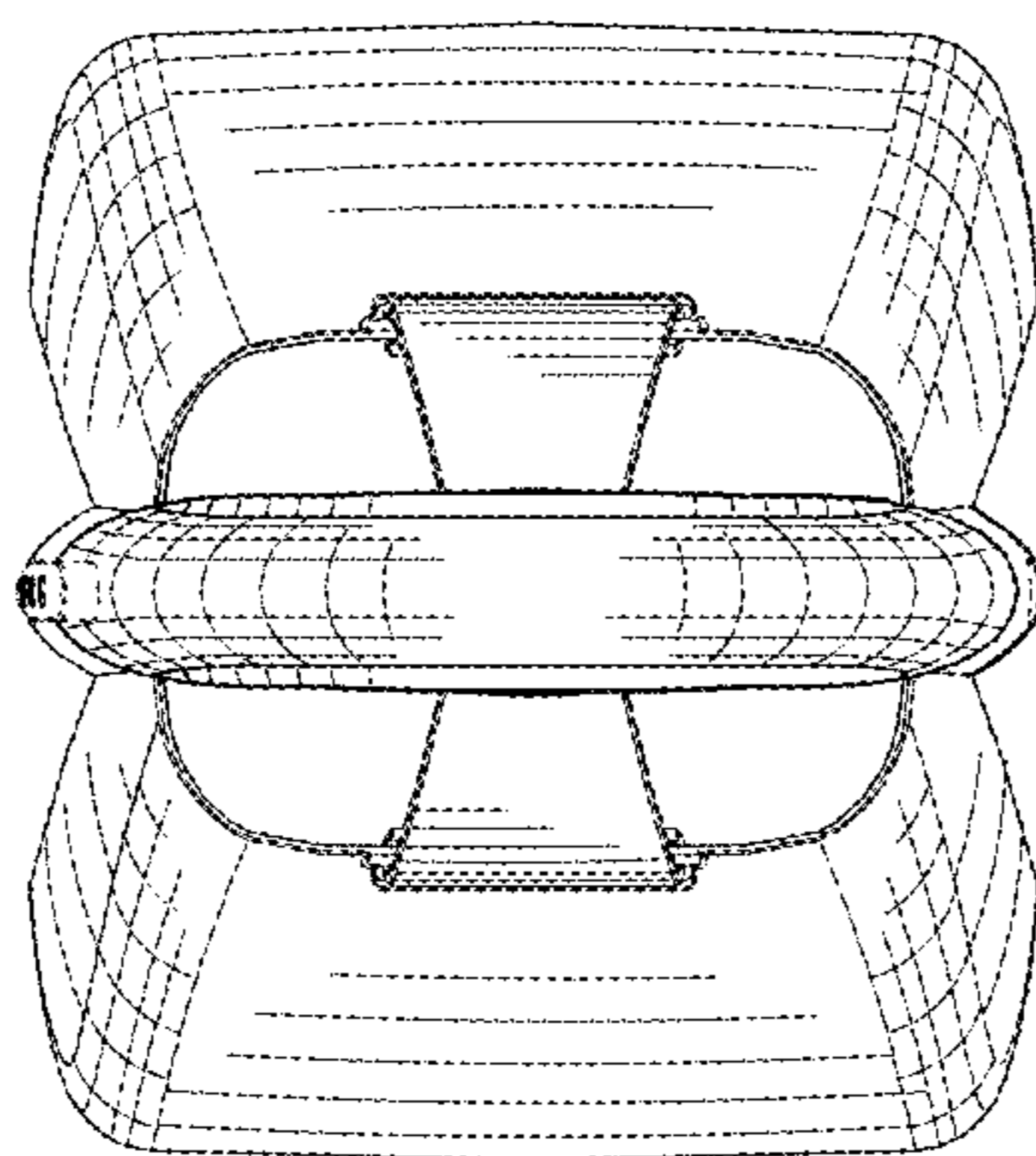


FIG. 15

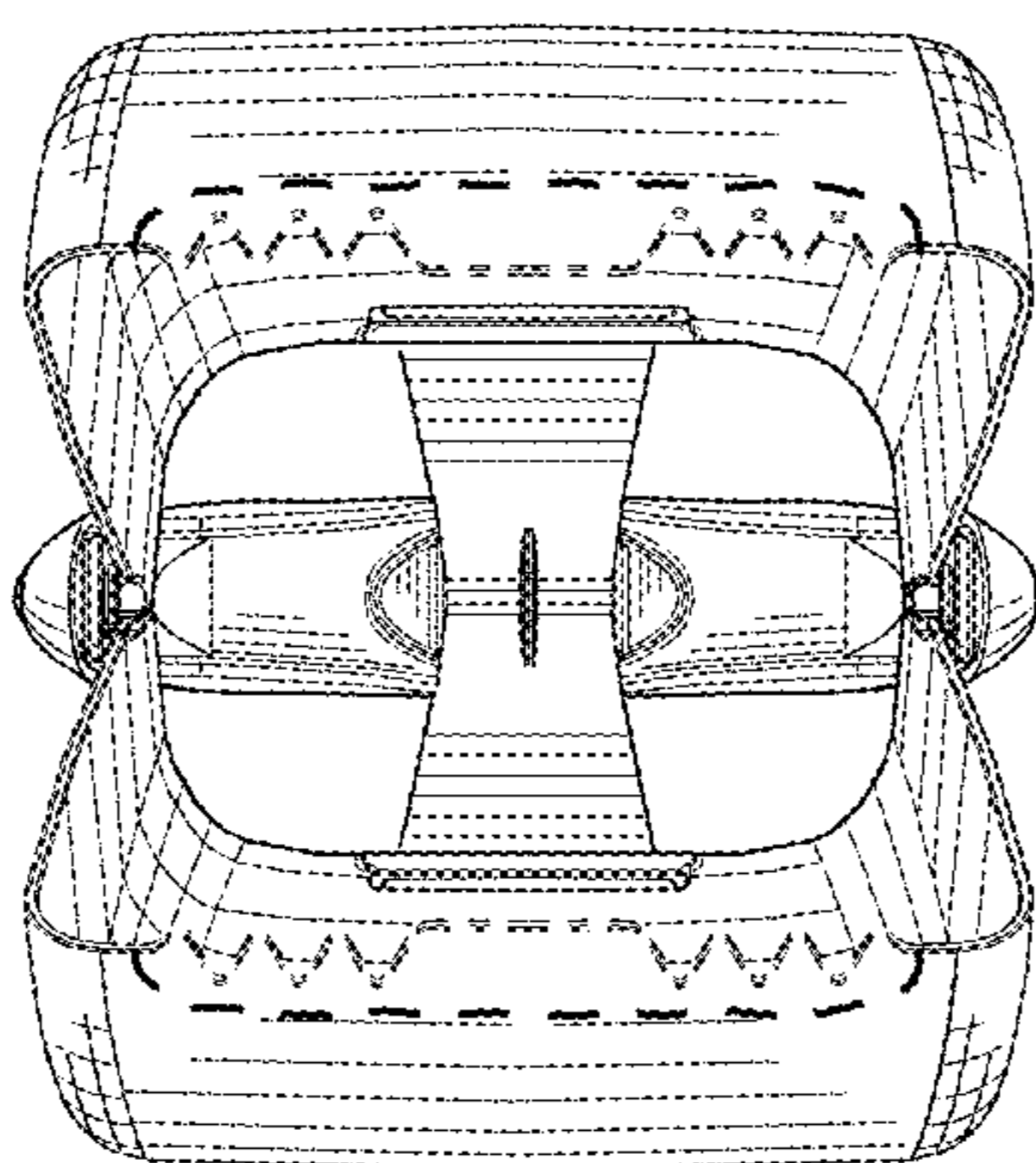


FIG. 16