



US00D802228S

(12) **United States Design Patent** (10) **Patent No.:** **US D802,228 S**
Massiglia (45) **Date of Patent:** **** Nov. 7, 2017**

(54) **COMBINATION LEASH WITH STIRRUP BUCKLE**

(71) Applicant: **Lester Davis Massiglia**, Miami Beach, FL (US)

(72) Inventor: **Lester Davis Massiglia**, Miami Beach, FL (US)

(**) Term: **14 Years**

(21) Appl. No.: **29/521,324**

(22) Filed: **Mar. 23, 2015**

(51) **LOC (10) Cl.** **30-04**

(52) **U.S. Cl.**
USPC **D30/153**

(58) **Field of Classification Search**
USPC D30/144, 151, 152, 153, 154, 199;
D8/107, 300; D21/682, 732, 777;
D22/117; 441/69; 242/381.2; 119/712,
119/769, 770, 792, 793, 794, 795, 796,
119/797, 798, 856, 857, 858, 863
CPC A01K 27/003; A01K 27/005
See application file for complete search history.

(56) **References Cited**

U.S. PATENT DOCUMENTS

2,196,627	A *	4/1940		De Sanctis Helen	A01K 27/006 119/792
D417,040	S *	11/1999	Weick		D30/152
D454,416	S *	3/2002	Kaplan		D30/153
D471,328	S *	3/2003	Hanna		D30/152
6,662,753	B1 *	12/2003	Sporn		A01K 27/003 119/797
D503,997	S *	4/2005	Sanchez, Jr.		D30/152
D695,470	S *	12/2013	Reed		D30/153
2005/0081798	A1 *	4/2005	Munroe		A01K 27/003 119/795
2008/0229551	A1 *	9/2008	Bell		A01K 27/00 24/188

2009/0173289	A1 *	7/2009	Cobb		A01K 27/003 119/795
2010/0050956	A1 *	3/2010	Pellei		A47D 13/086 119/770
2011/0120390	A1 *	5/2011	Kung		A01K 27/005 119/798

(Continued)

OTHER PUBLICATIONS

“13 Stylish Collars and Leashes for Your Pup”. Found online Oct. 5, 2016 at brit.co. Page dated Aug. 24, 2013. Retrieved from <http://www.brit.co/collars-leashes/>*

(Continued)

Primary Examiner — Robert M Spear
Assistant Examiner — Kendra L Hamilton
(74) *Attorney, Agent, or Firm* — Dunlap Bennett & Ludwig PLLC

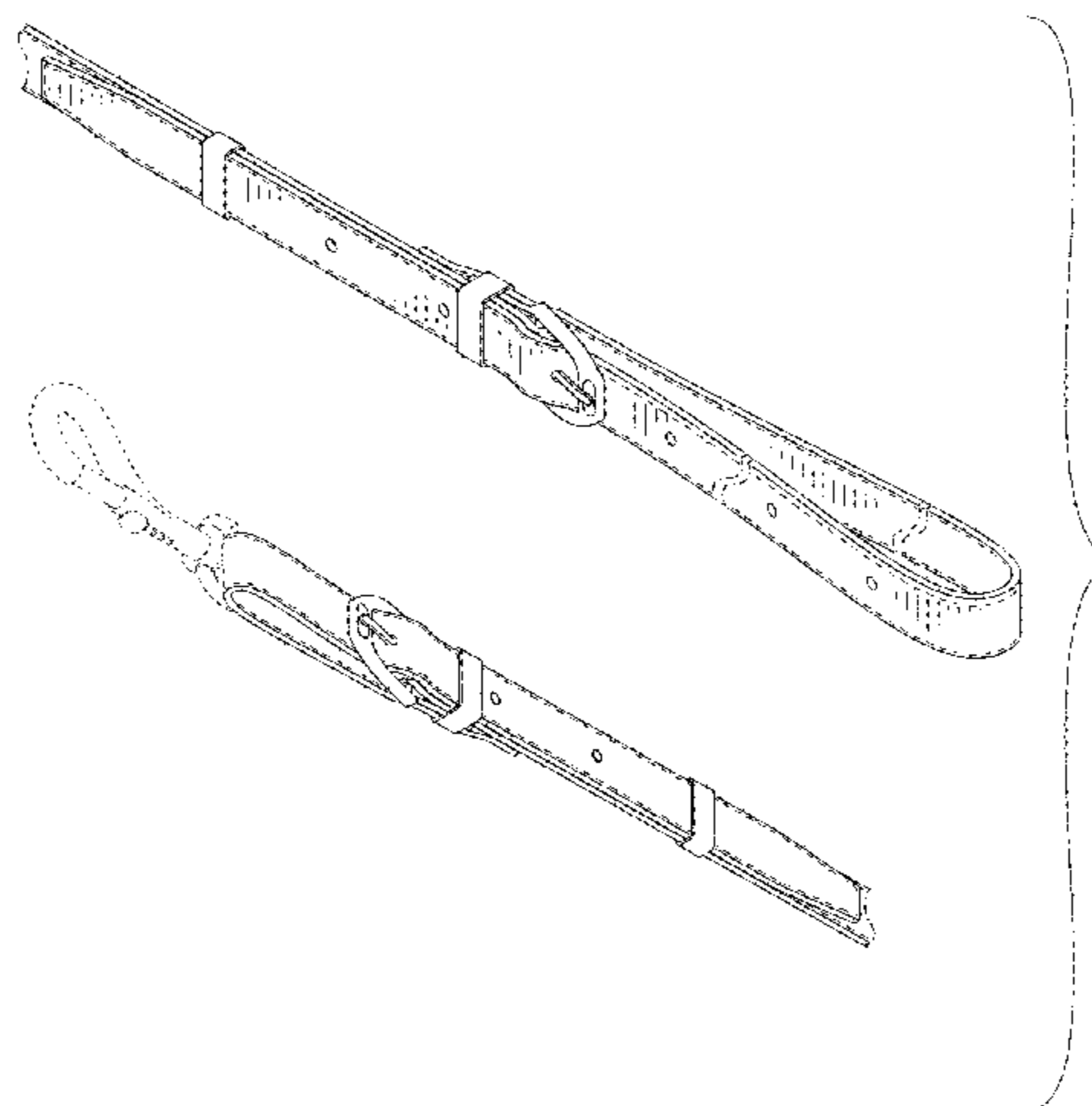
(57) **CLAIM**

The ornamental design for a combination leash with stirrup buckle, as shown and described.

DESCRIPTION

FIG. 1 is an isometric view of a combination leash with stirrup buckle;
FIG. 2 is a front elevation view thereof;
FIG. 3 is rear elevation view thereof;
FIG. 4 is a left elevation view thereof;
FIG. 5 is a right elevation view thereof;
FIG. 6 is a top elevation view thereof; and,
FIG. 7 is a bottom elevation view thereof.
The broken lines shown in the drawings illustrate portions of the combination leash with stirrup buckle that form no part of the claimed design.
The combination leash with stirrup buckle is shown with a symbolic break in its length. The appearance of any portion of the article between the break lines forms no part of the claimed design.

1 Claim, 6 Drawing Sheets



(56)

References Cited

U.S. PATENT DOCUMENTS

2012/0037091 A1* 2/2012 Wang A01K 27/003
119/793

OTHER PUBLICATIONS

“Aqua Leather Dog Collars & Leashes”. Found online Oct. 5, 2016 at spoiledsweetpets.com. Page dated Apr. 17, 2015. Retrieved from <http://www.spoiledsweetpets.com/aqua-leather-dog-collars-leashes/>.*

“Collar and Leash—Black and Brown Matching Collar & Leash”. Found online Feb. 27, 2017 at amazon.com. Page dated Dec. 9, 2011. Retrieved from https://www.amazon.com/...atching/dp/B001U9F3WK/ref=sr_1_171?s=pets-supplies&ie=UTF8&qid=1488217933&sr=1-171&keywords=leather+leash&refinements=p_72%3A2661621011.*

“Luxury Divas Classic Leather Belt”. Found online Feb. 27, 2017 at amazon.com. Page dated Mar. 14, 2011. Retrieved from https://www.amazon.com/.../B000NRT8LC/ref=sr_1_624?s=apparel&ie=UTF8&qid=1488231857&sr=1-624&nodeID=7141123011&keywords=belt&refinements=p_72%3A2661621011.*

* cited by examiner

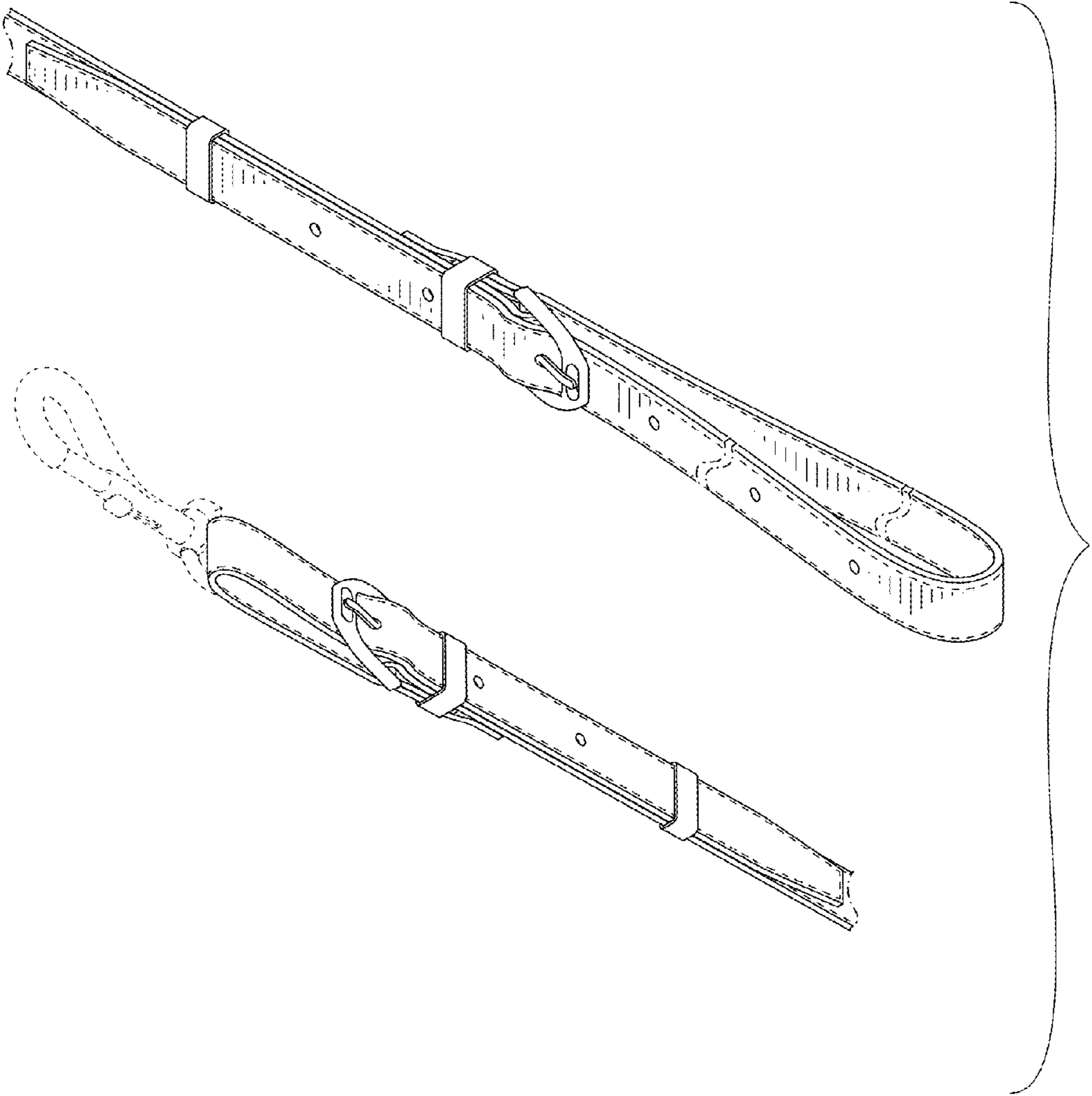


FIG. 1

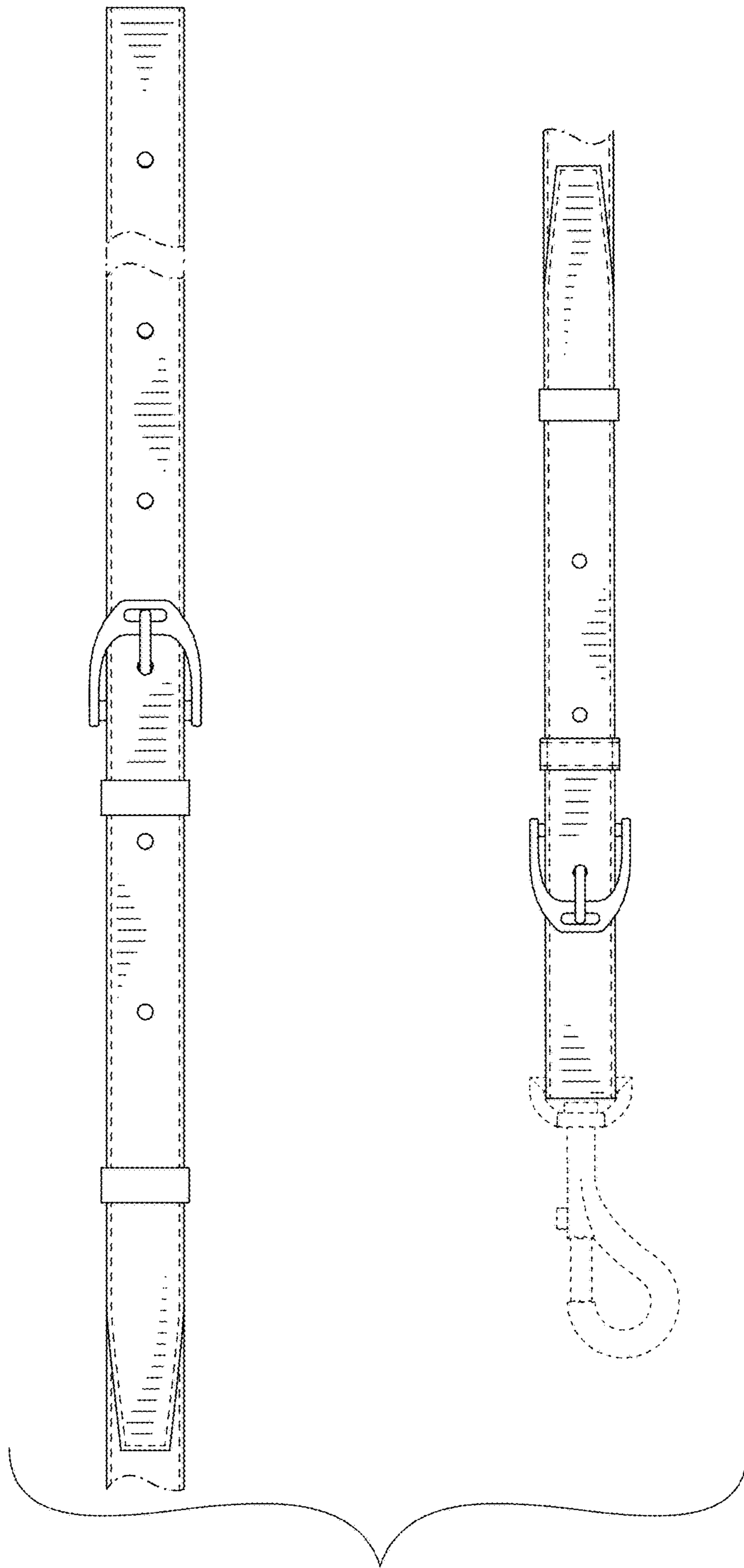


FIG. 2

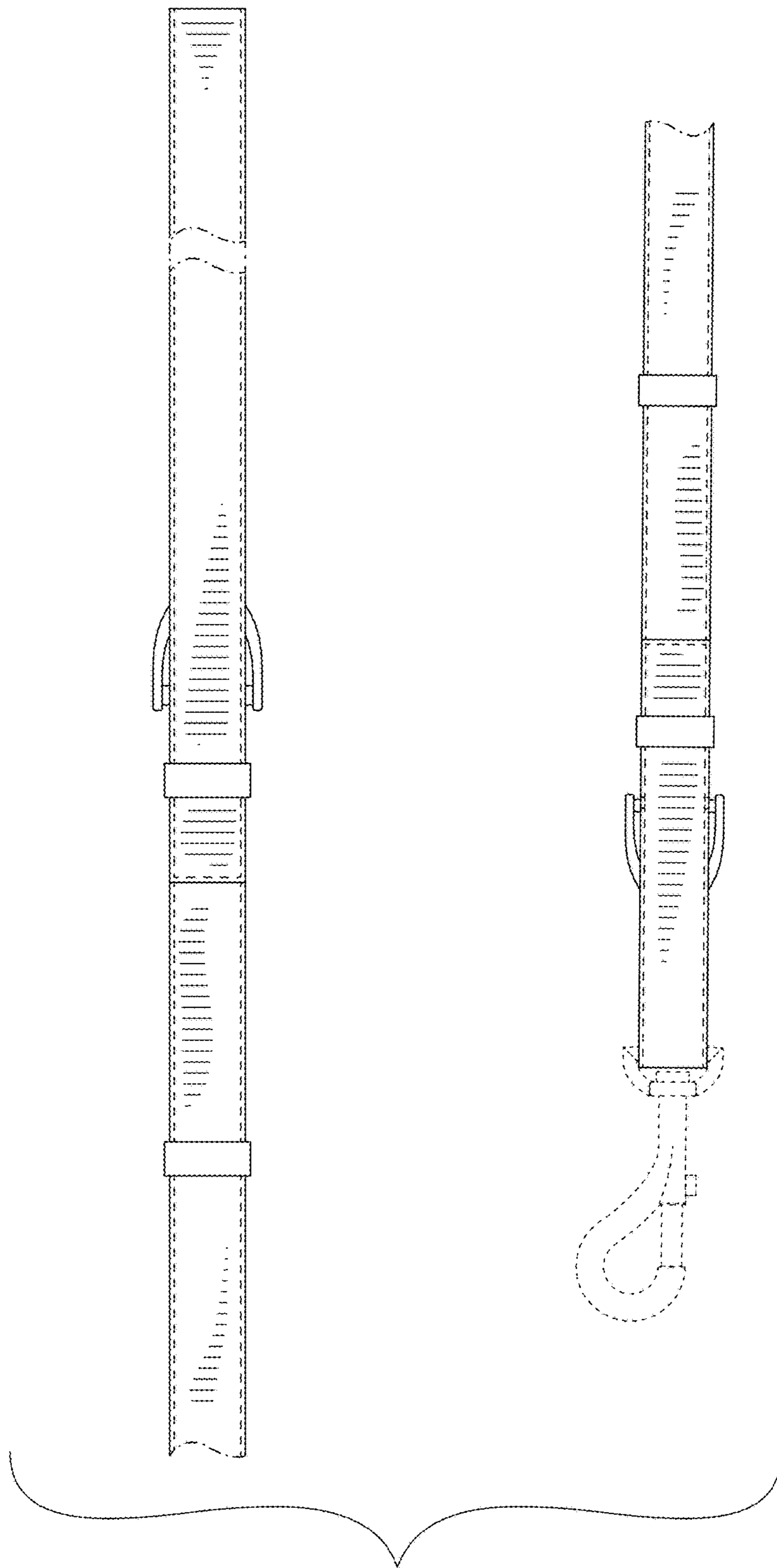


FIG. 3

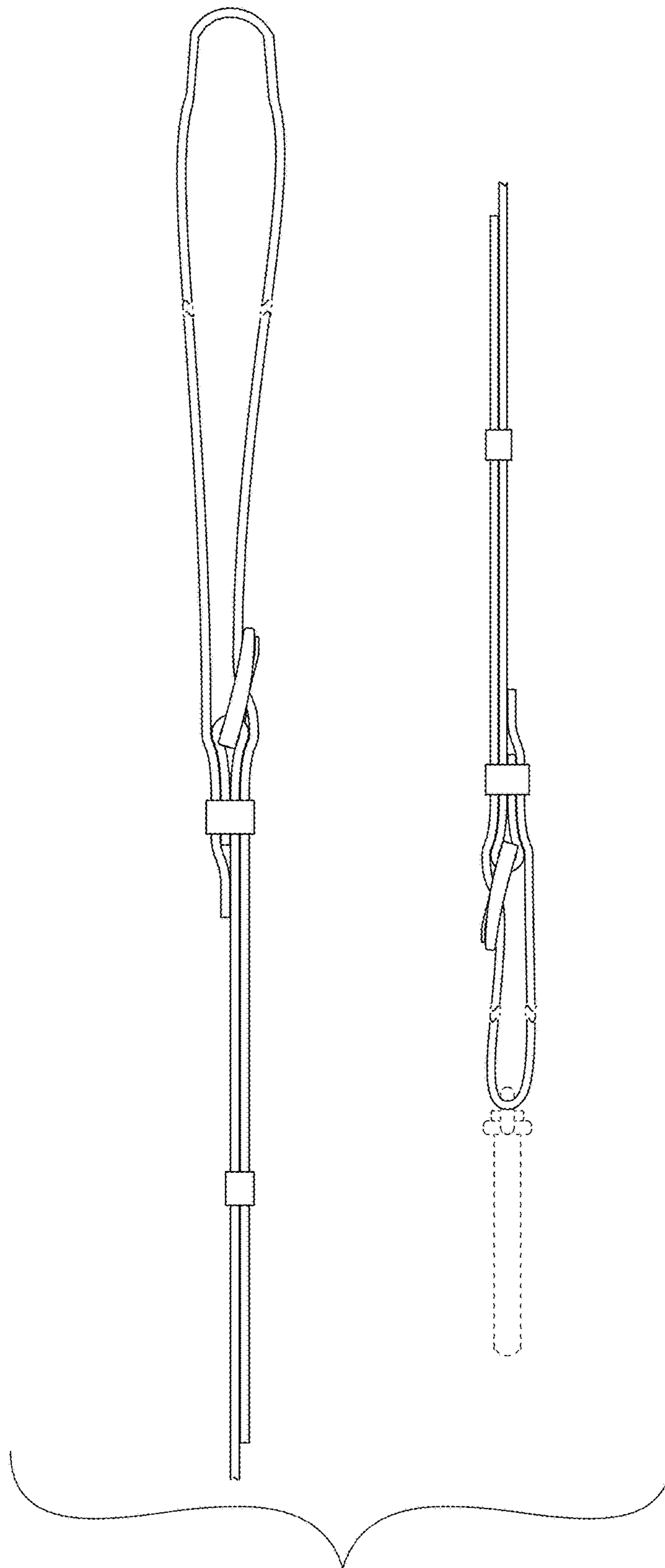


FIG. 4

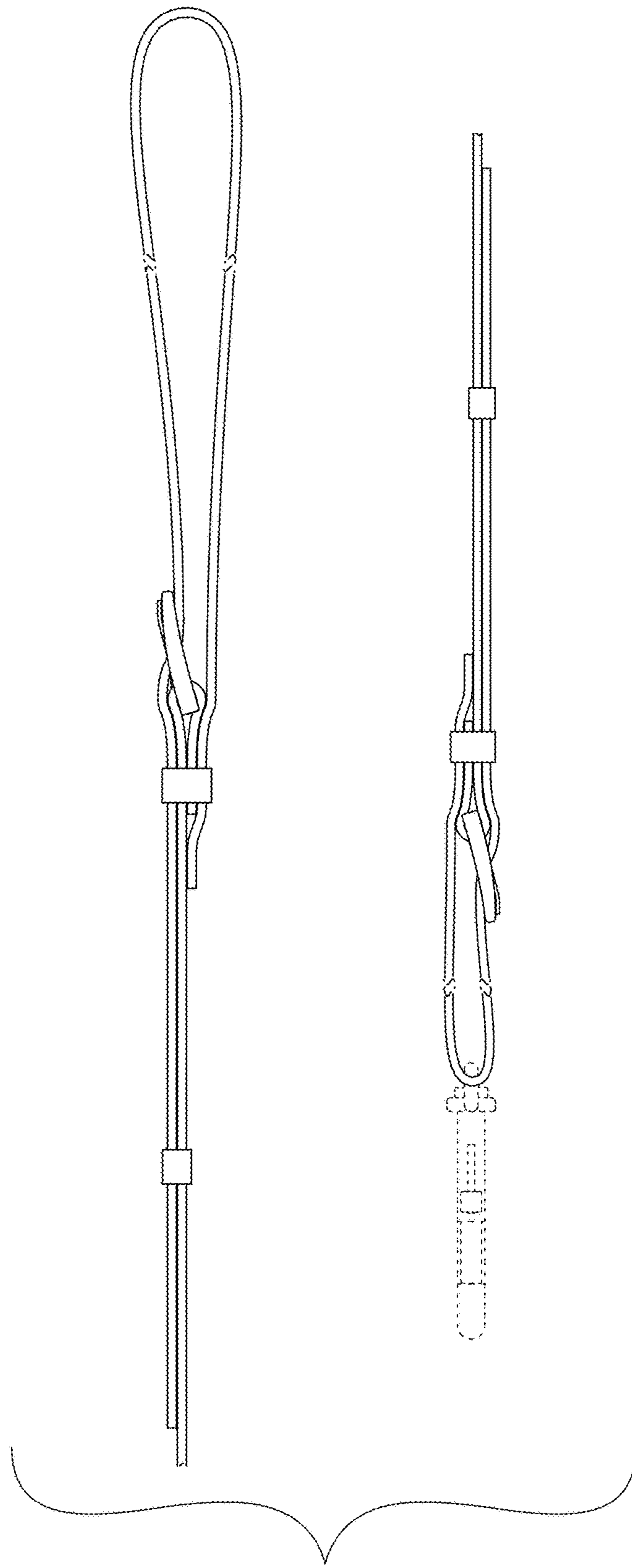


FIG. 5

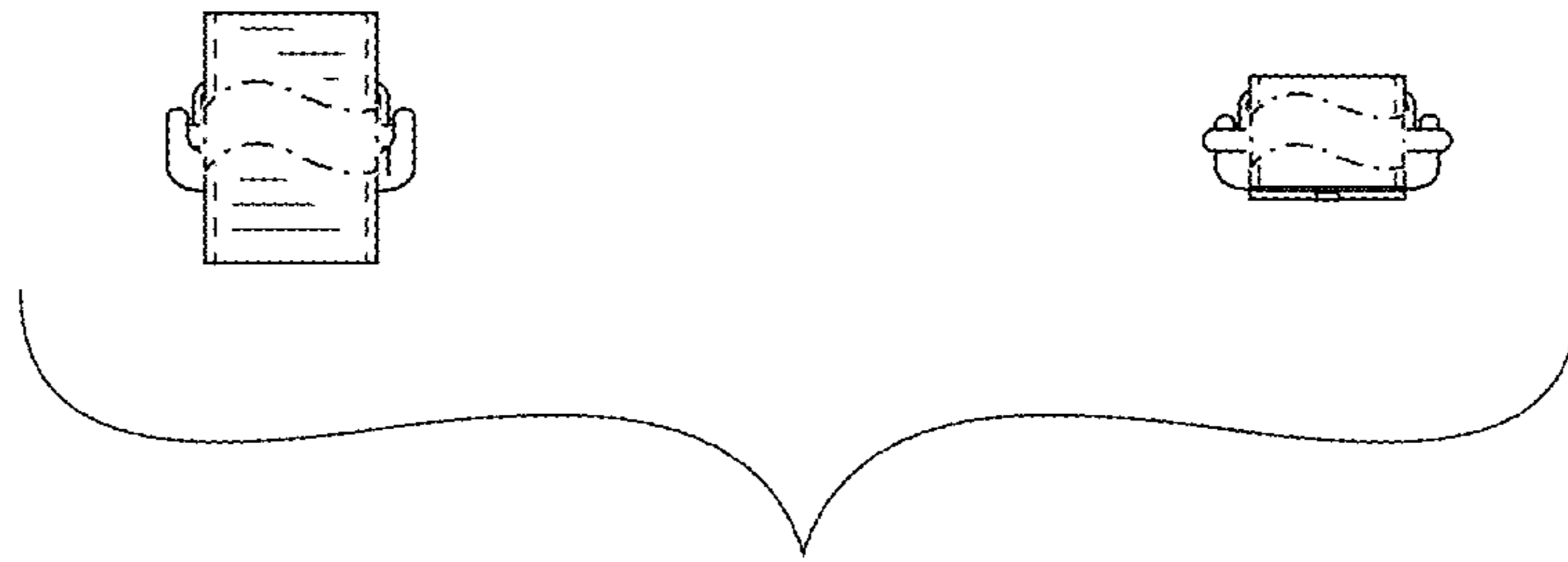


FIG. 6

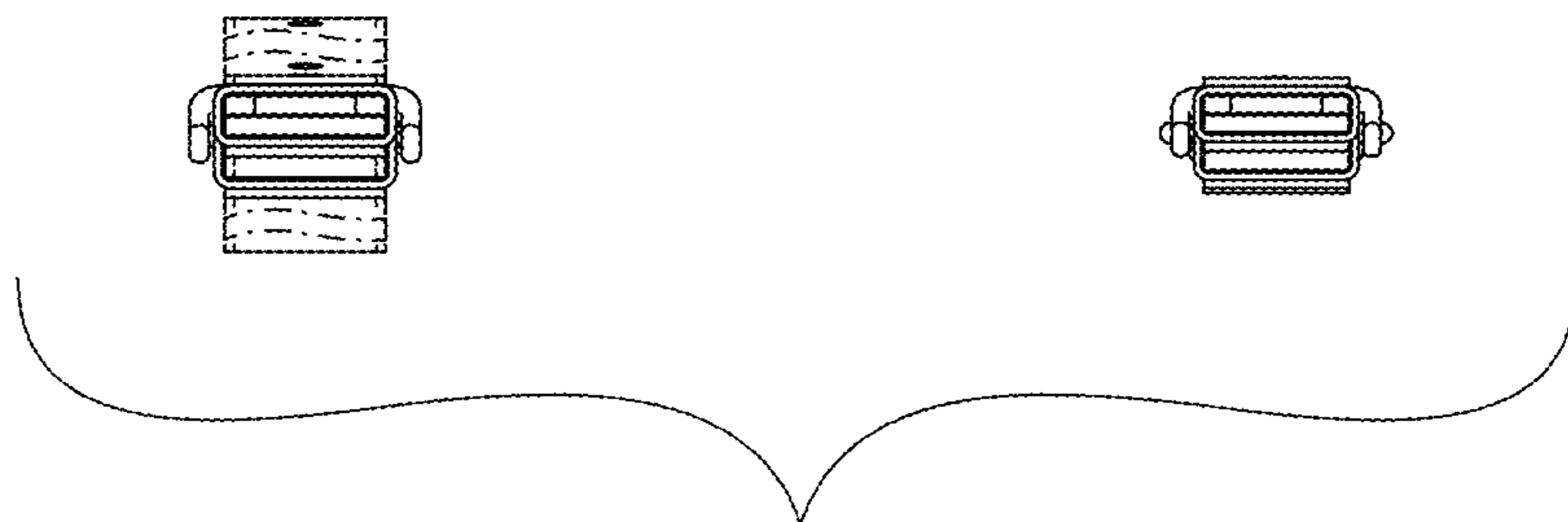


FIG. 7