



US00D802227S

(12) **United States Design Patent** (10) **Patent No.:** **US D802,227 S**
Florey (45) **Date of Patent:** **** Nov. 7, 2017**

(54) **ELEVATED PET PLATFORM**

(71) Applicant: **Anna Florey**, Lafayette, CO (US)

(72) Inventor: **Anna Florey**, Lafayette, CO (US)

(**) Term: **15 Years**

(21) Appl. No.: **29/535,980**

(22) Filed: **Aug. 12, 2015**

(51) **LOC (10) Cl.** **30-06**

(52) **U.S. Cl.**
USPC **D30/118; D6/675.3**

(58) **Field of Classification Search**
USPC D30/118, 119, 199; D6/596-597, 601,
D6/36, 350, 371, 373, 675.3
CPC A01K 1/00; A01K 1/0272; A01K 1/0353;
A01K 1/035; A01K 29/00; A47D 13/08;
A47D 13/083; A47G 9/10; A47C 3/16;
A47C 9/005; A47C 11/02
See application file for complete search history.

(56) **References Cited**

U.S. PATENT DOCUMENTS

D169,461	S *	4/1953	Tilley	D6/350
2,939,309	A *	6/1960	Sitton	E04F 11/025
					52/189
3,049,724	A *	8/1962	Goodman	A47C 13/00
					5/35
3,564,790	A *	2/1971	Rehfeld	E04F 11/06
					108/92
4,937,902	A *	7/1990	Ceike Shapiro	A47C 29/003
					182/34
5,094,505	A *	3/1992	Nichols	A47C 12/02
					182/33.3
D330,462	S *	10/1992	Szablak	D6/350
5,211,130	A *	5/1993	Elias	A01K 1/0353
					119/28.5
D351,739	S *	10/1994	Cannon	D6/350

(Continued)

Primary Examiner — Cathy Anne MacCormac

(74) *Attorney, Agent, or Firm* — Polsinelli PC

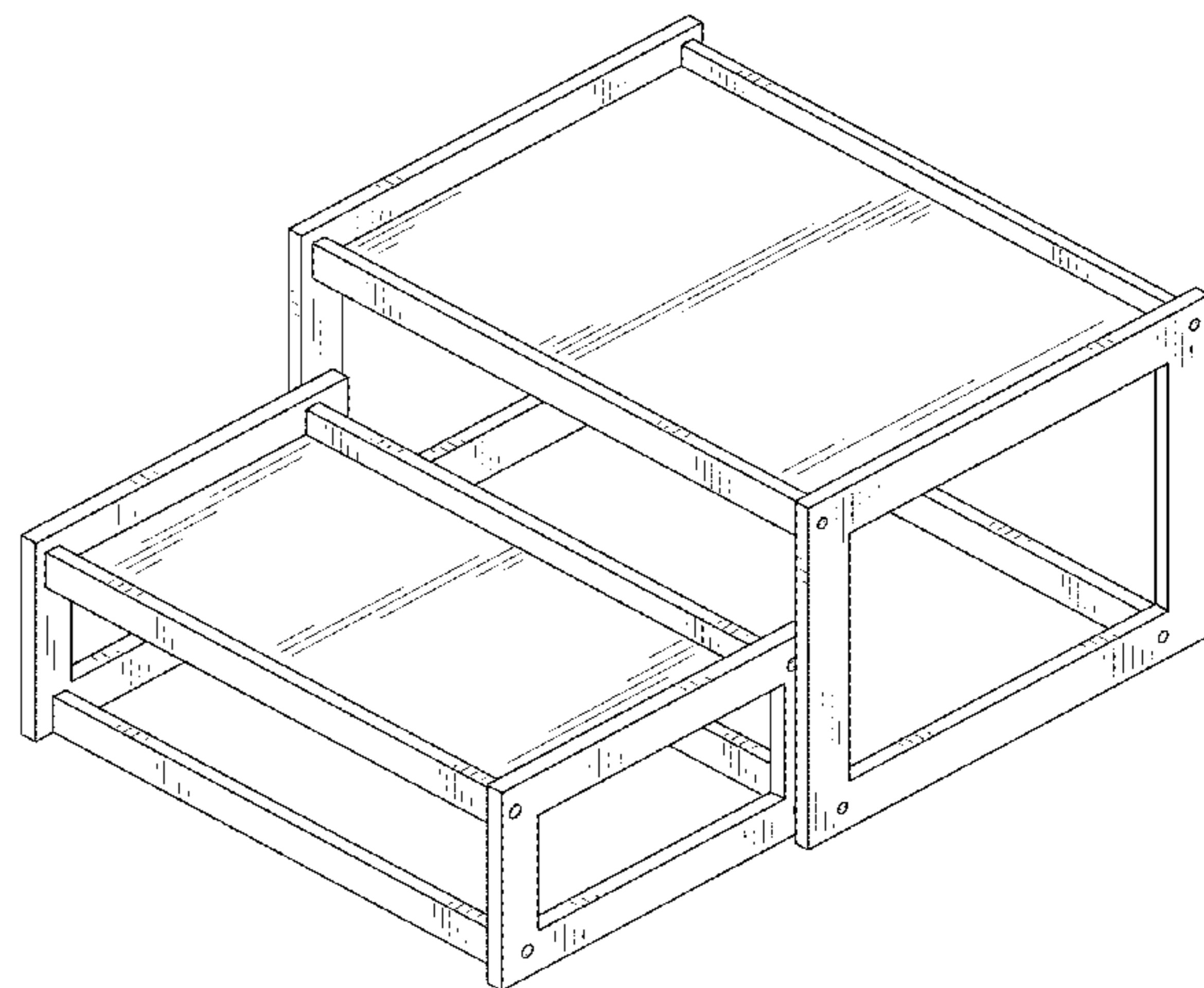
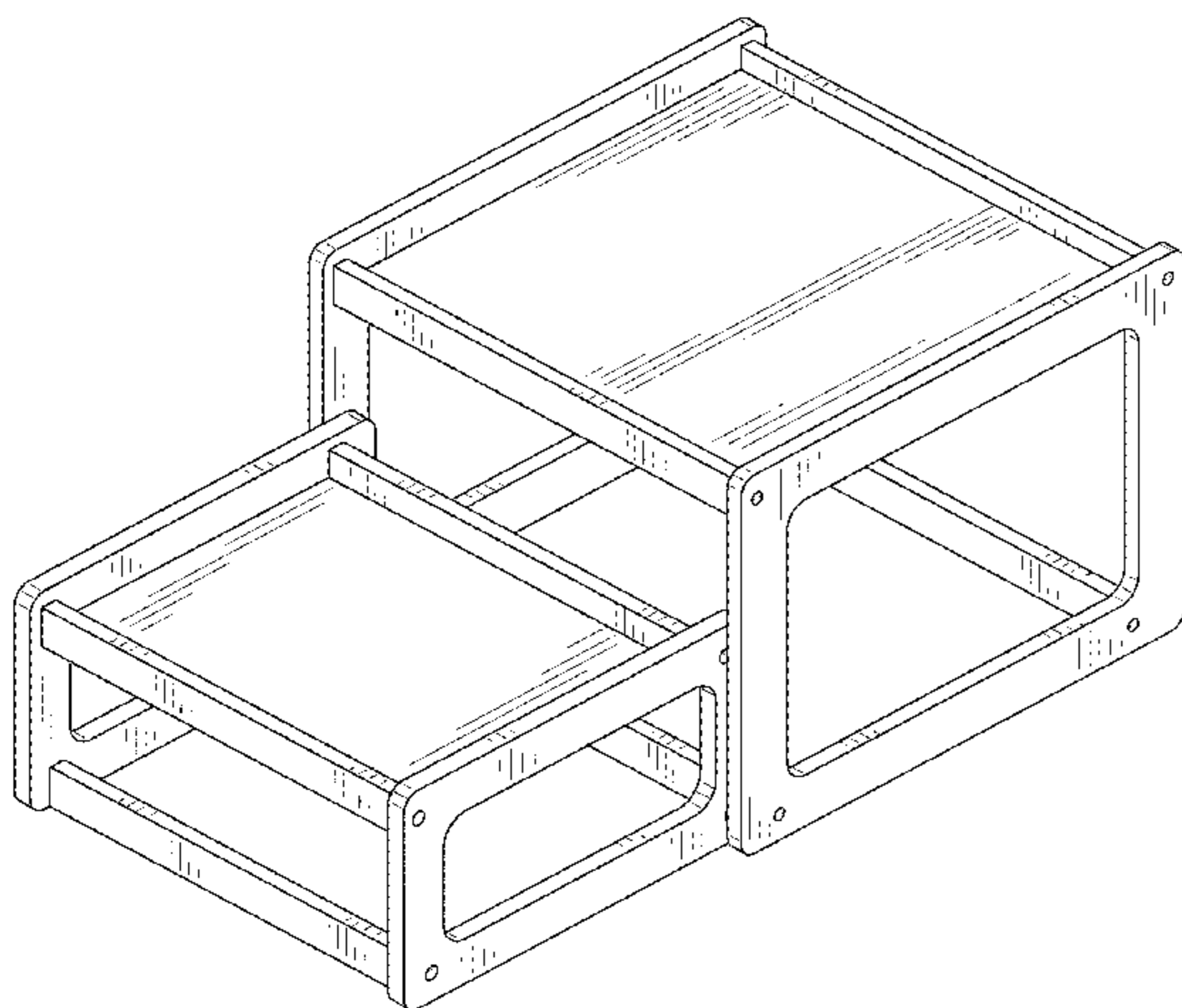
(57) **CLAIM**

The ornamental design for an elevated pet platform, as shown and described.

DESCRIPTION

FIG. 1 is a front isometric view of an elevated pet platform; FIG. 2 is a front view thereof; FIG. 3 is a back view thereof; FIG. 4 is a top view thereof; FIG. 5 is a bottom view thereof; FIG. 6 is a right side view thereof, the left side view being a mirror image of the right side view; FIG. 7 is a front isometric view a second embodiment of FIG. 1; FIG. 8 is a front view of FIG. 7; FIG. 9 is a back view of FIG. 7; FIG. 10 is a top view of FIG. 7; FIG. 11 is a bottom view of FIG. 7; FIG. 12 is a right side view of FIG. 7, the left side view being a mirror image of the right side view; FIG. 13 is a front isometric view a third embodiment of FIG. 1; FIG. 14 is a front view of FIG. 13; FIG. 15 is a back view of FIG. 13; FIG. 16 is a top view of FIG. 13; FIG. 17 is a bottom view of FIG. 13; FIG. 18 is a right side view of FIG. 13, the left side view being a mirror image of the right side view; FIG. 19 is a front isometric view a fourth embodiment of FIG. 1; FIG. 20 is a front view of FIG. 19; FIG. 21 is a back view of FIG. 19; FIG. 22 is a top view of FIG. 19; FIG. 23 is a bottom view of FIG. 19; and, FIG. 24 is a right side view of FIG. 19, the left side view being a mirror image of the right side view.

1 Claim, 24 Drawing Sheets



(56)

References Cited

U.S. PATENT DOCUMENTS

D383,261	S *	9/1997	Karsten	D30/160
5,692,445	A *	12/1997	Winer	A47B 3/0912
					108/100
D423,729	S *	4/2000	Morgan	D30/118
D429,038	S *	8/2000	Forester	D30/119
D434,320	S *	11/2000	Timm	D9/423
D468,915	S *	1/2003	Talbott	D32/37
D474,345	S *	5/2003	Pesso	D6/349
D485,021	S *	1/2004	Gonzalez	D30/119
D512,537	S *	12/2005	Barnes	D6/350
D555,845	S *	11/2007	Khubani	D30/199
D591,911	S *	5/2009	Drew	D30/118
D597,327	S *	8/2009	Vample	D6/350
D607,224	S *	1/2010	Gormley	D6/373
D640,015	S *	6/2011	Birck	D30/118
8,037,649	B2 *	10/2011	Jakubowski	A01K 1/035
					403/361
D653,043	S *	1/2012	Rumley	D6/350
8,181,739	B2 *	5/2012	Genova	E04F 11/00
					182/151
8,297,235	B2 *	10/2012	Edgar	A01K 1/035
					119/843
D685,147	S *	6/2013	Muir	D30/118
D686,438	S *	7/2013	Denby	D6/687
D705,556	S *	5/2014	Udagawa	D6/349
9,055,824	B2 *	6/2015	Brown	A47C 21/00
9,173,352	B1 *	11/2015	Moreland	A01K 1/00
D746,618	S *	1/2016	Clark	D6/675.3
2005/0225151	A1 *	10/2005	Zenisek	A47C 12/00
					297/423.21
2005/0236351	A1 *	10/2005	Curatolo	E04F 11/108
					211/186

* cited by examiner

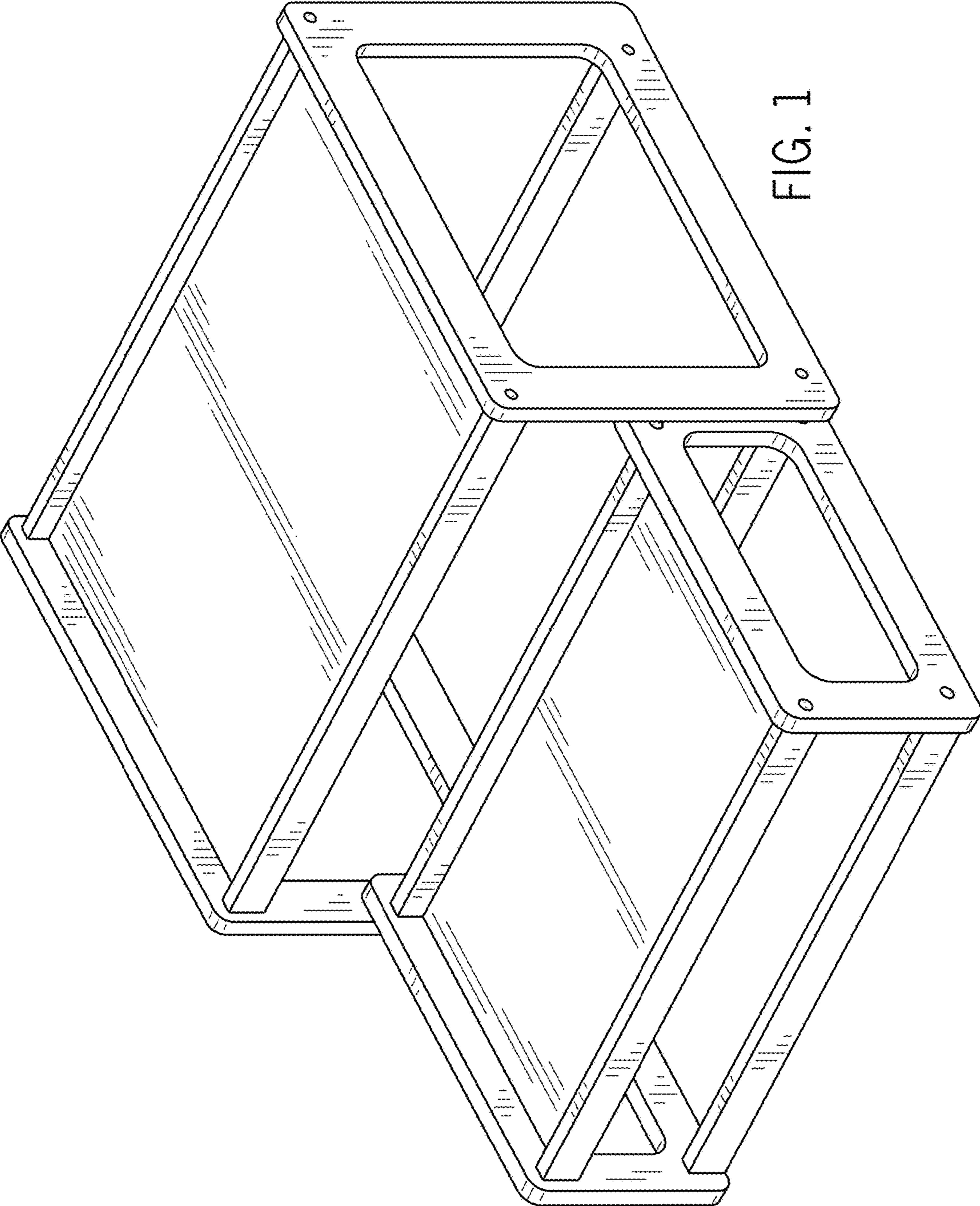


FIG. 1

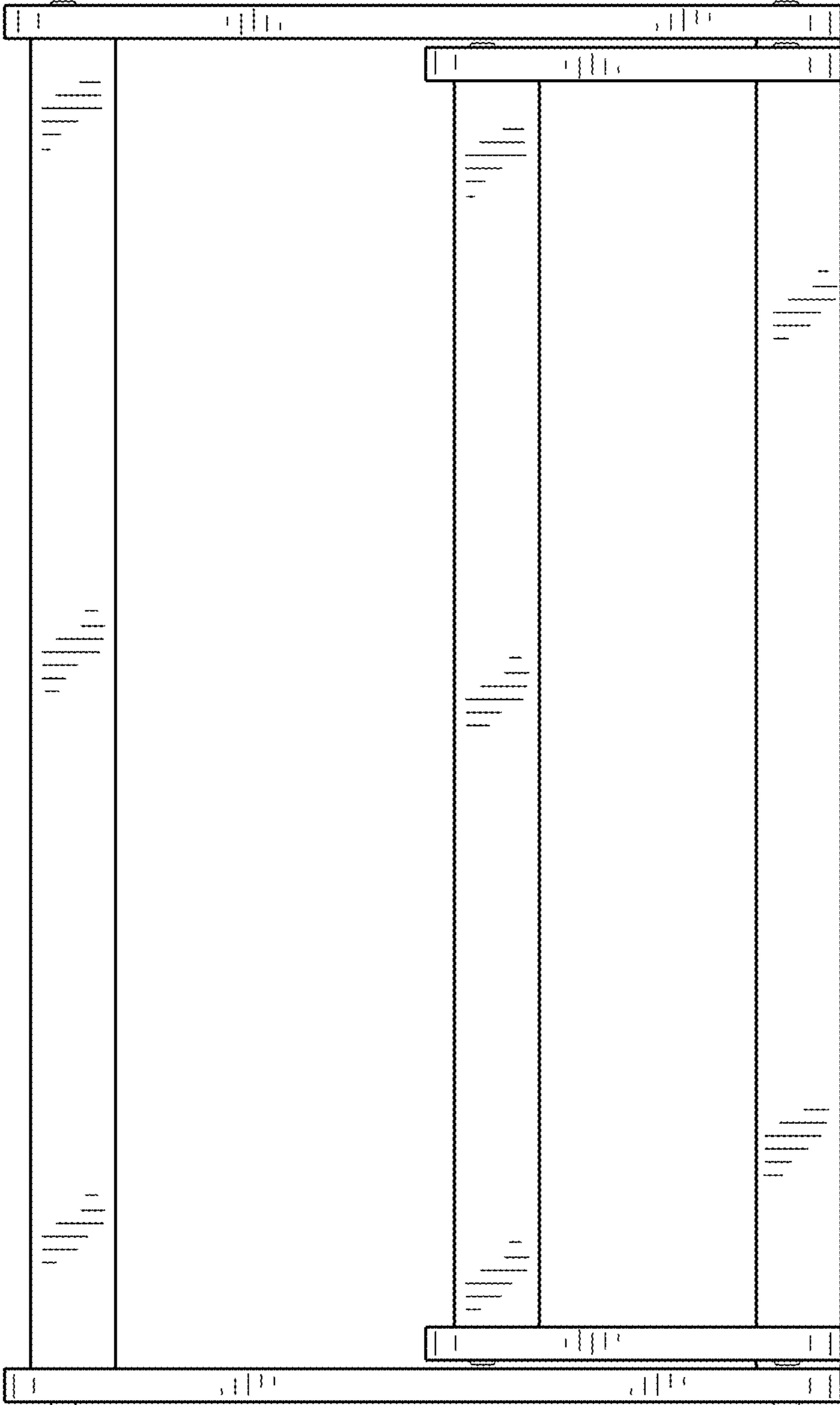


FIG. 2

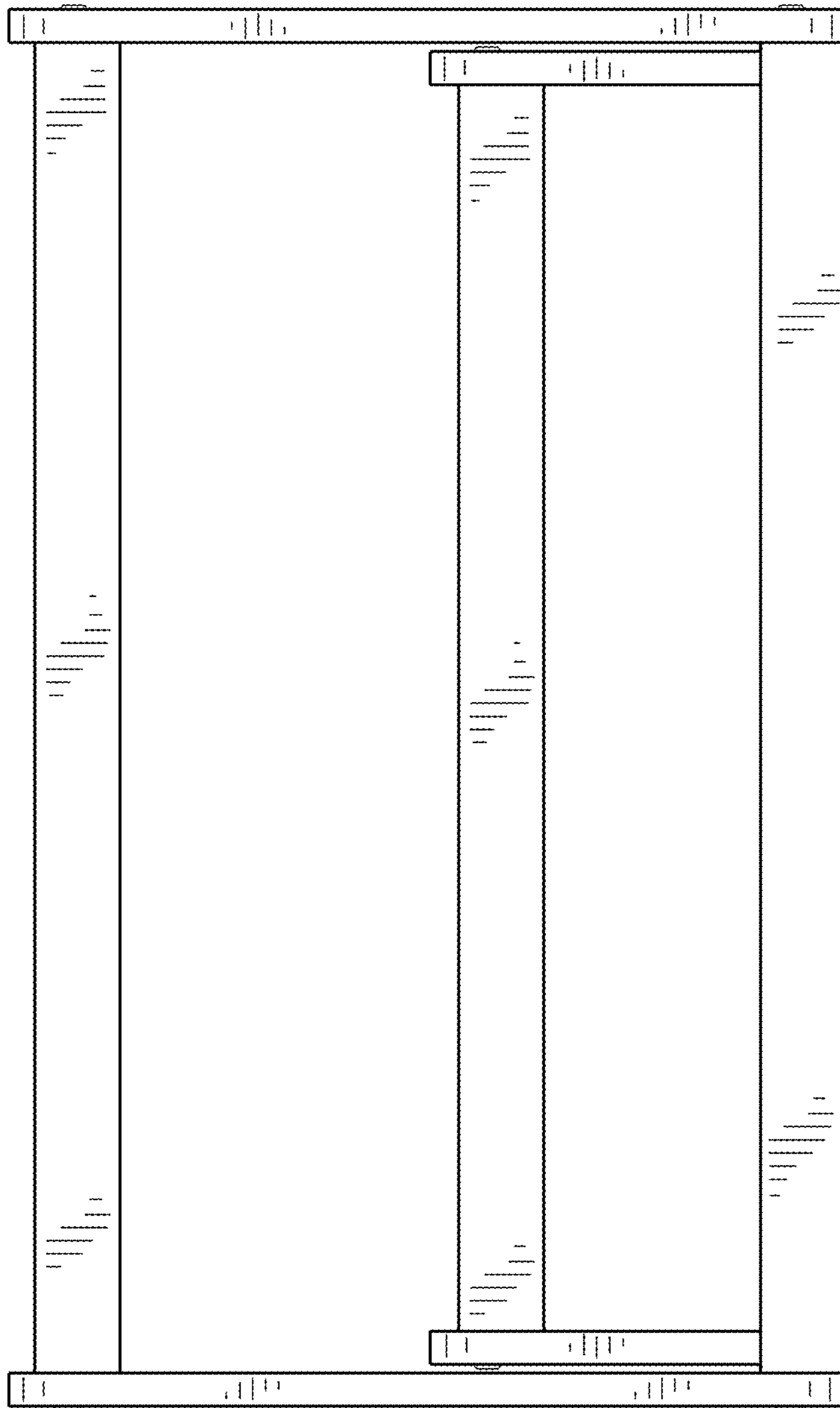


FIG. 3

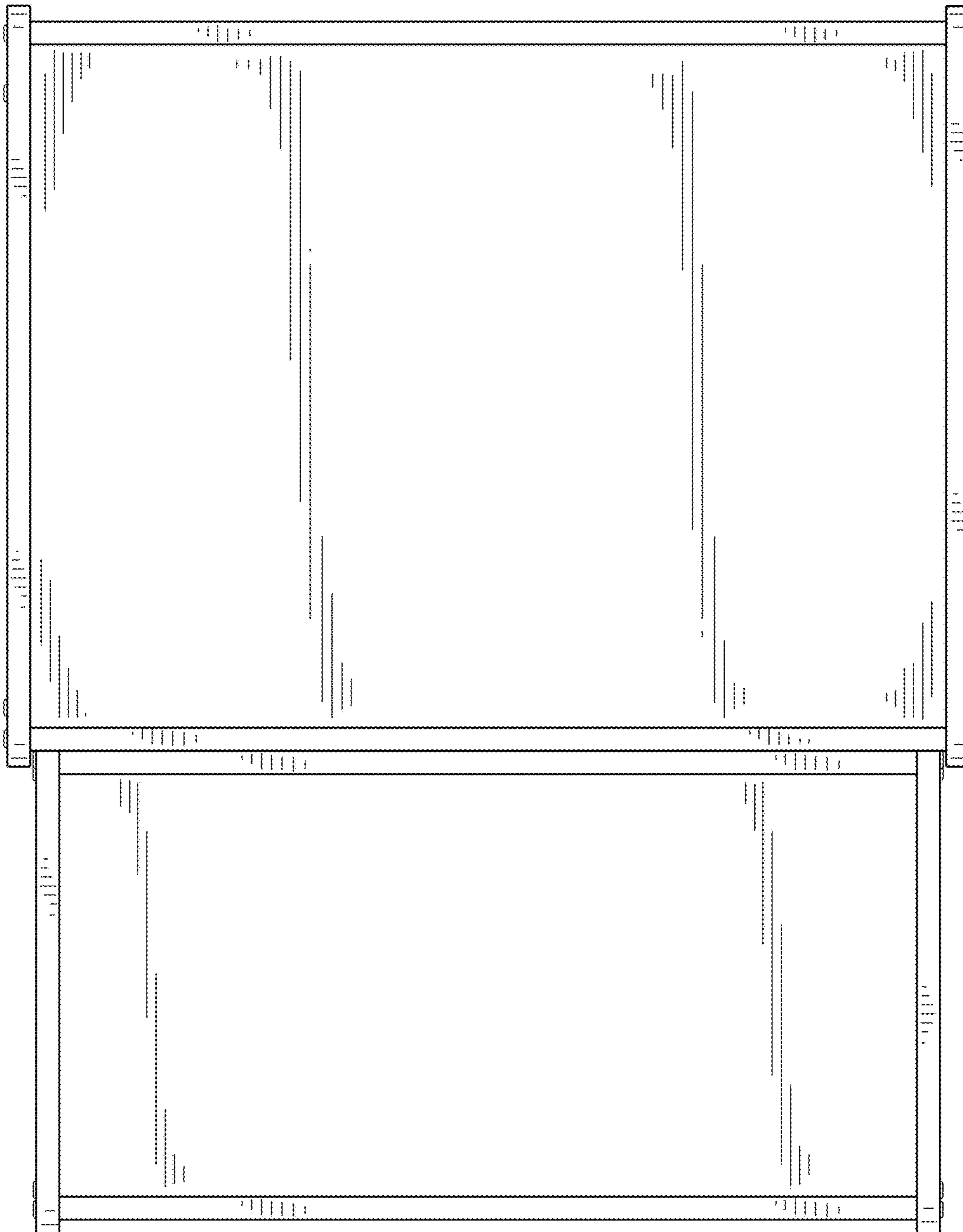


FIG. 4

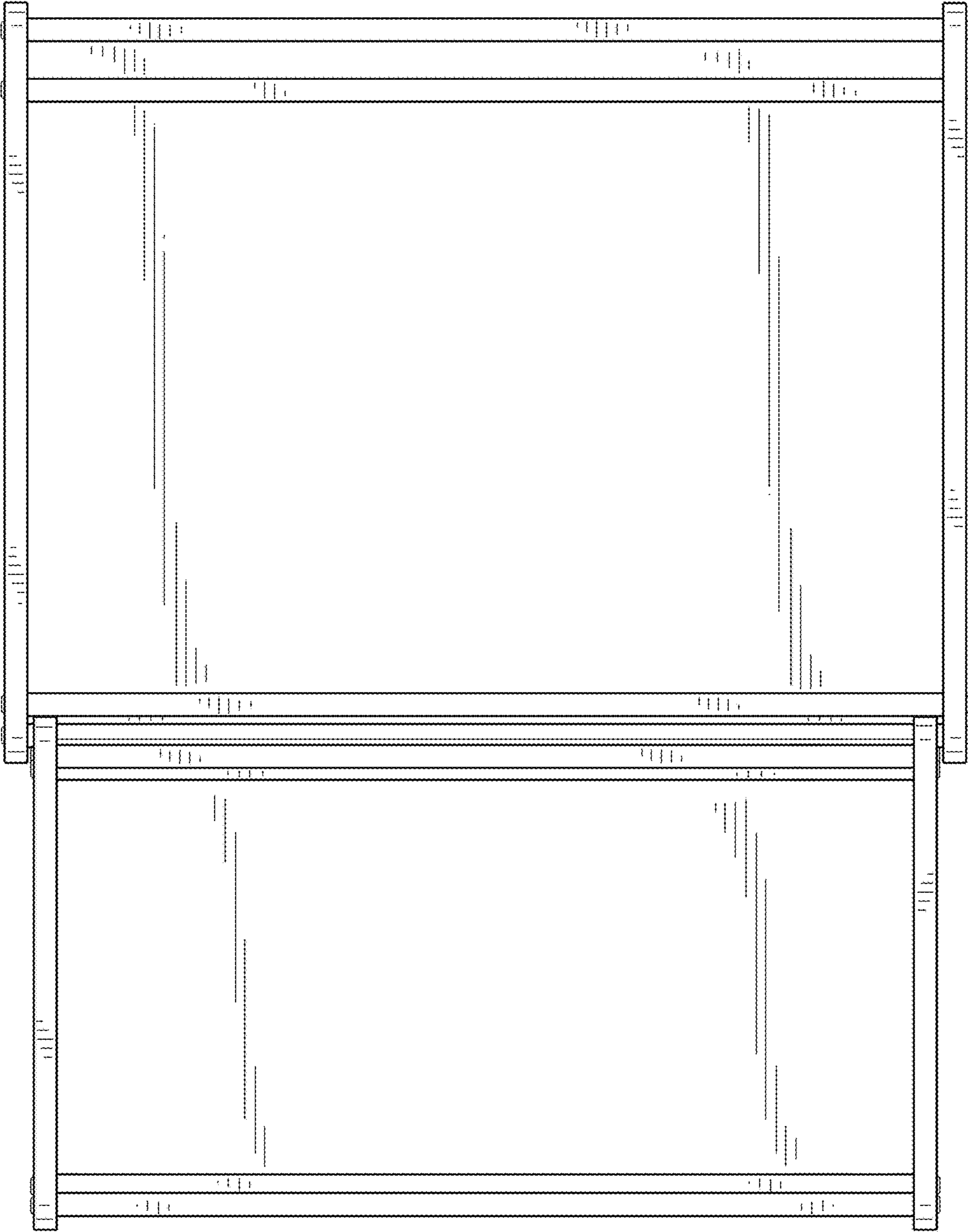


FIG. 5

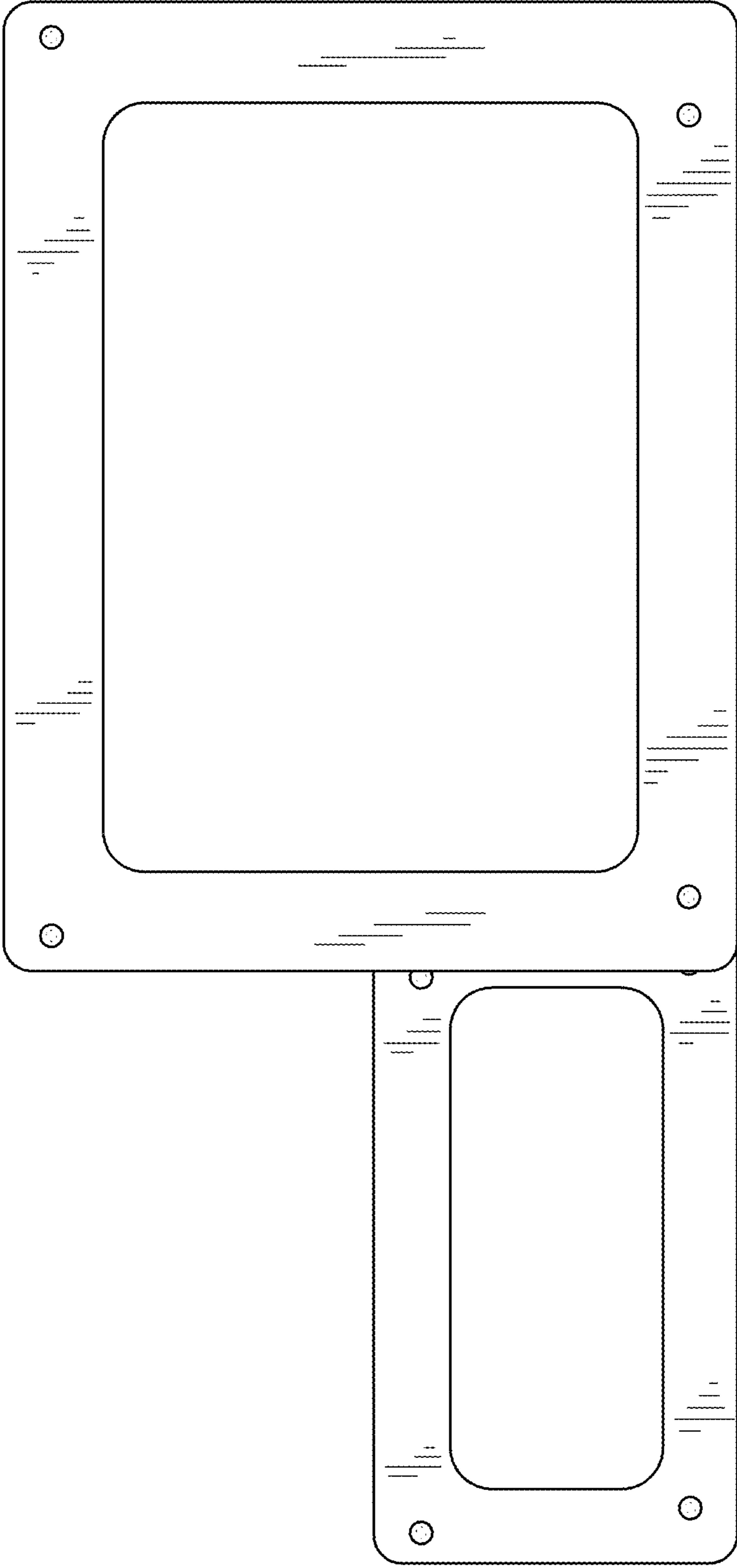


FIG. 6

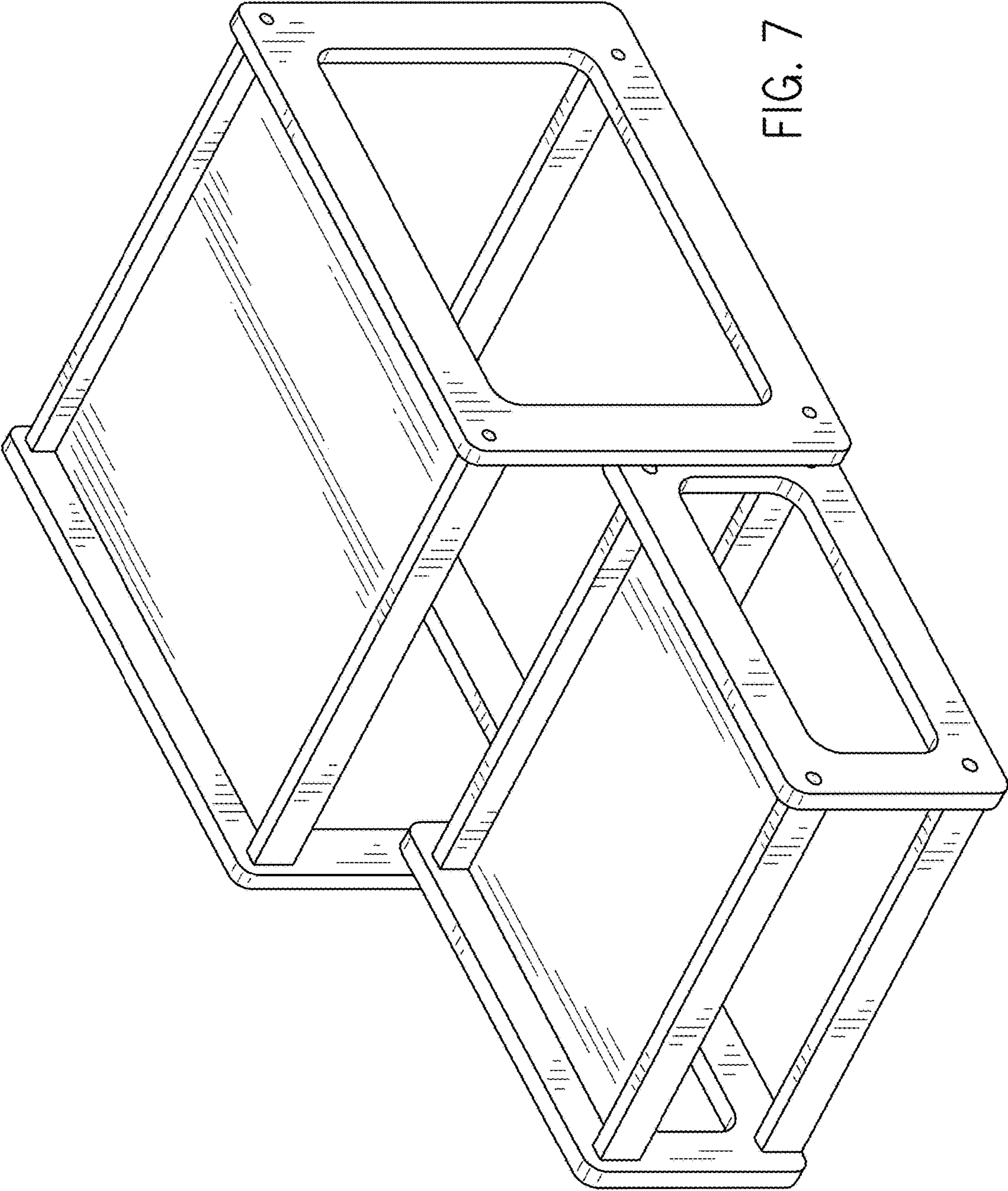


FIG. 7

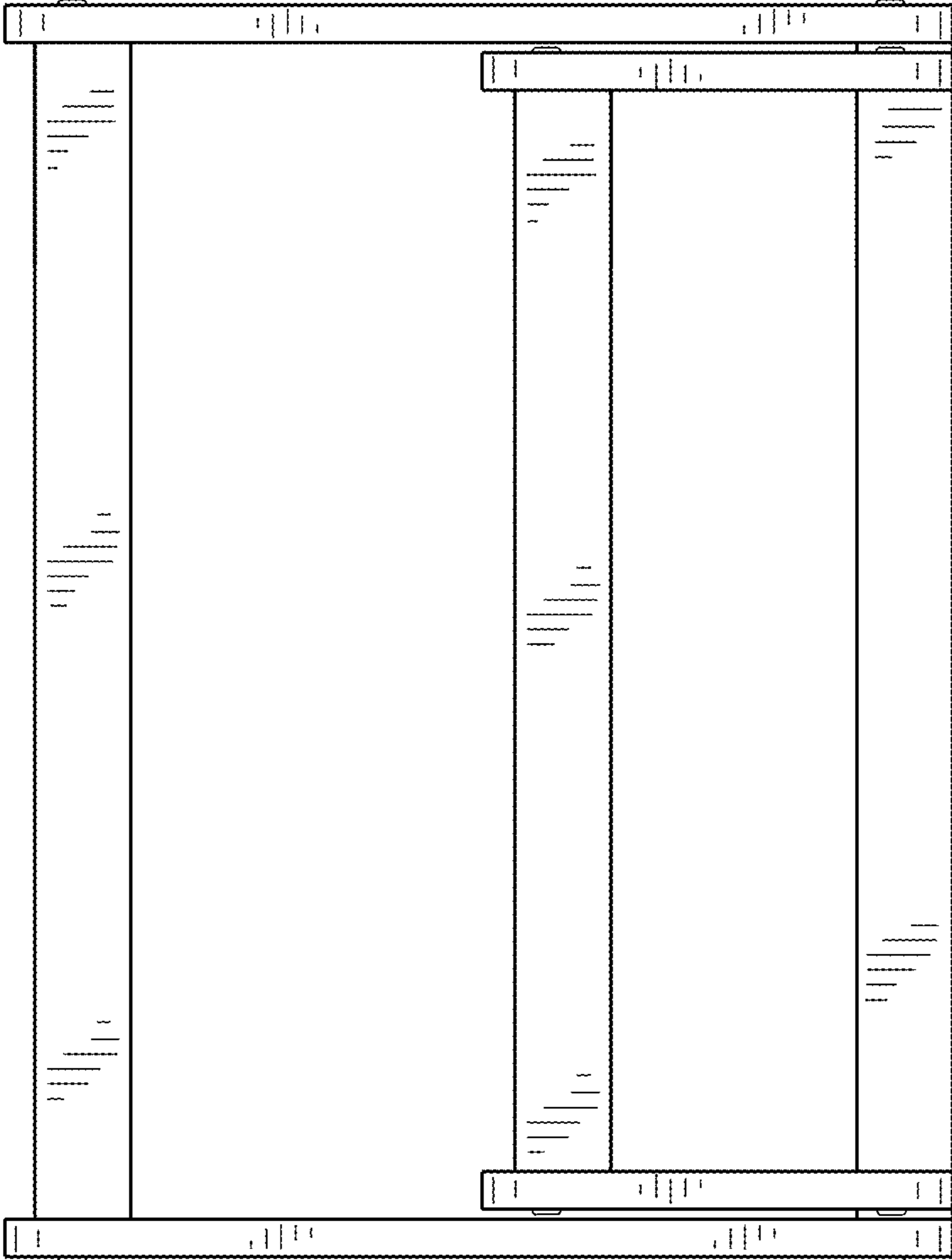


FIG. 8

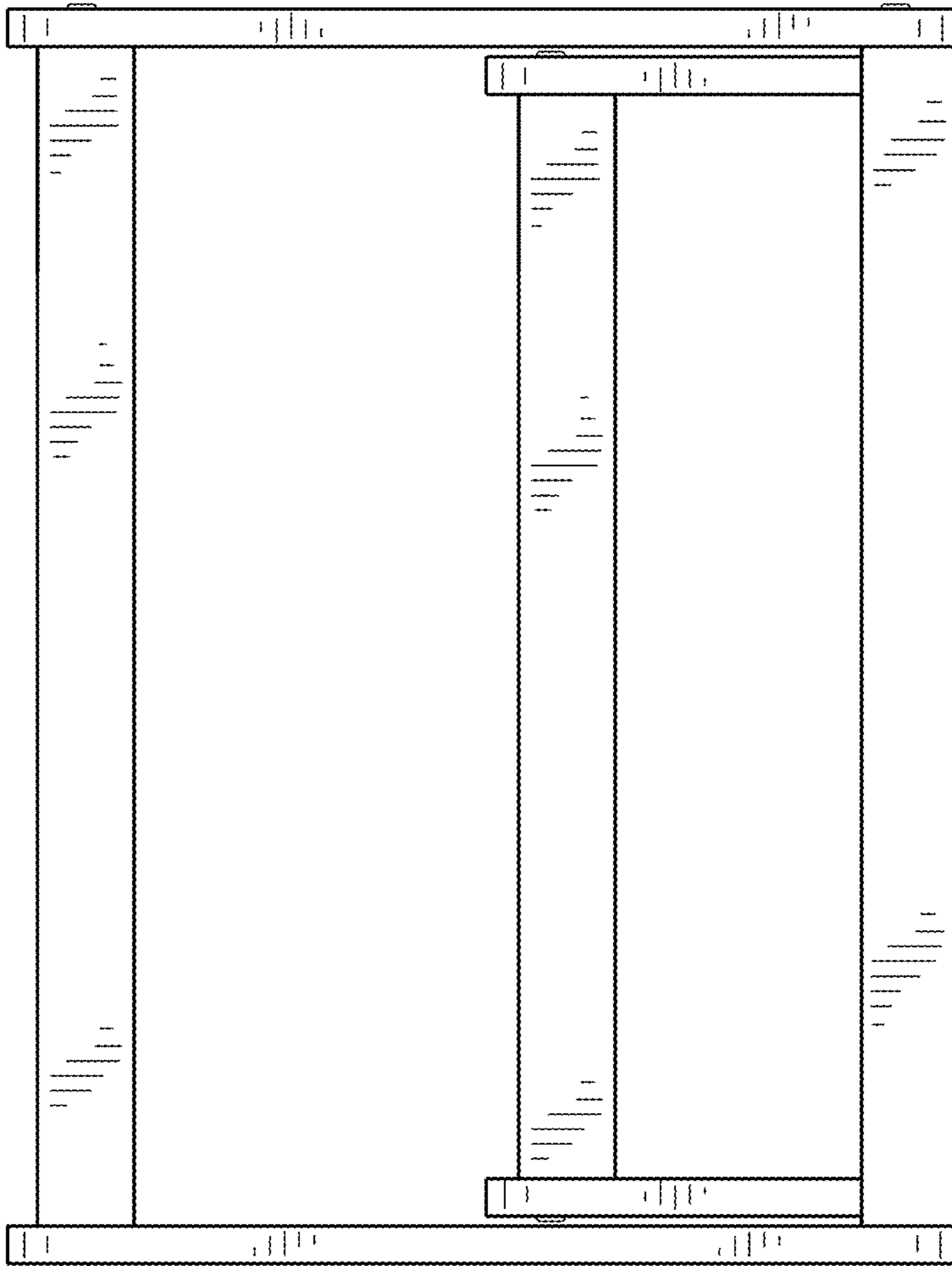


FIG. 9

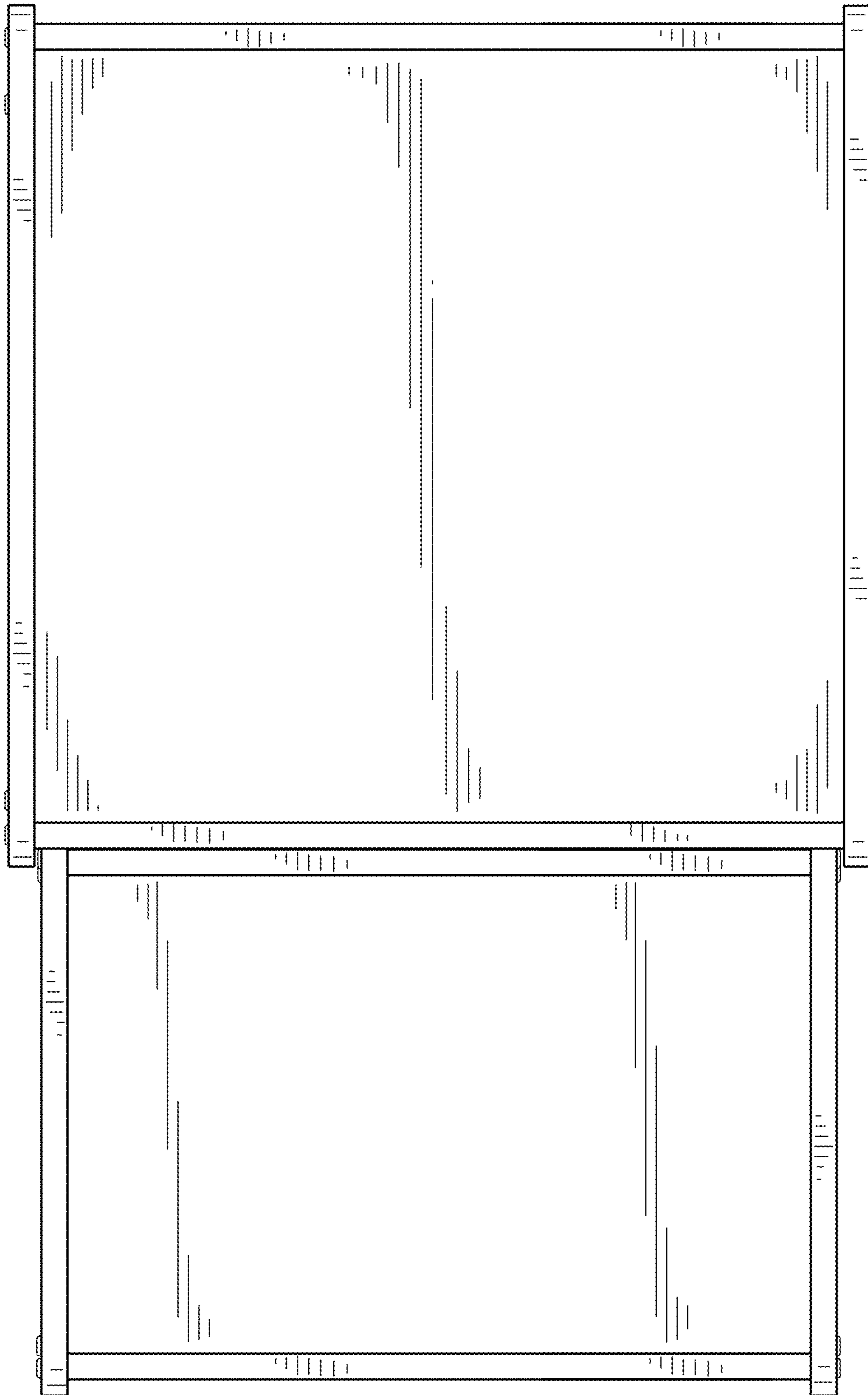


FIG. 10

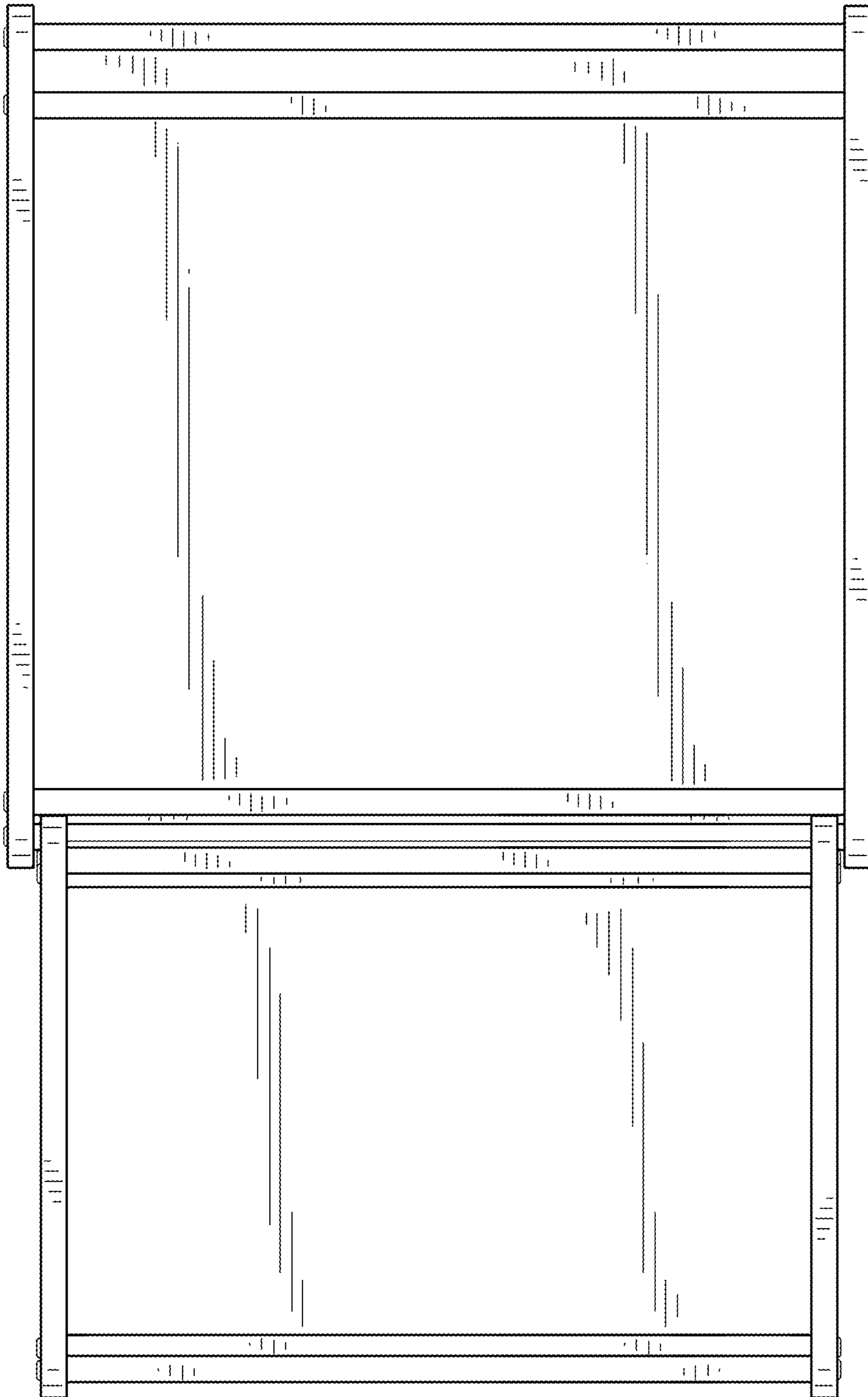


FIG. 11

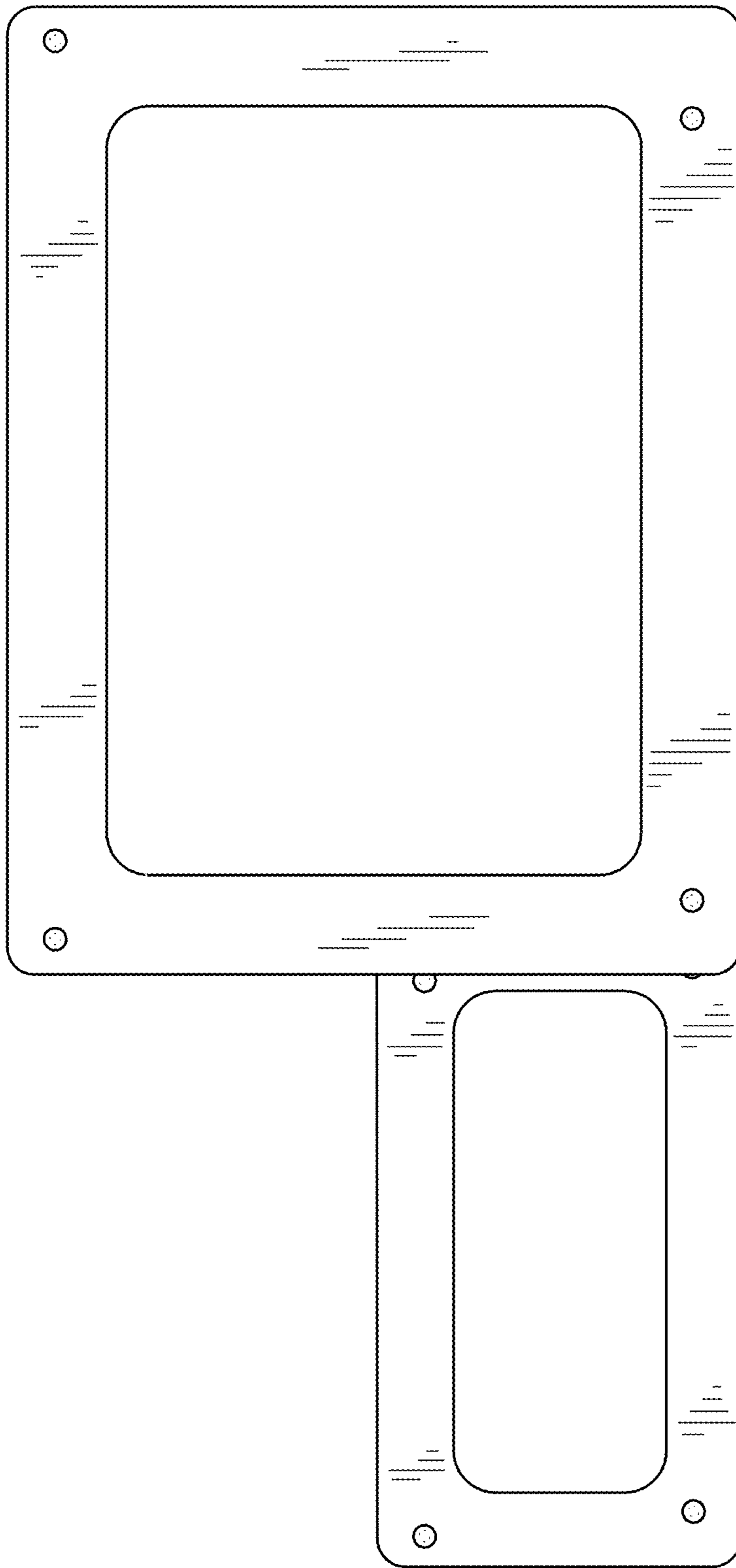


FIG. 12

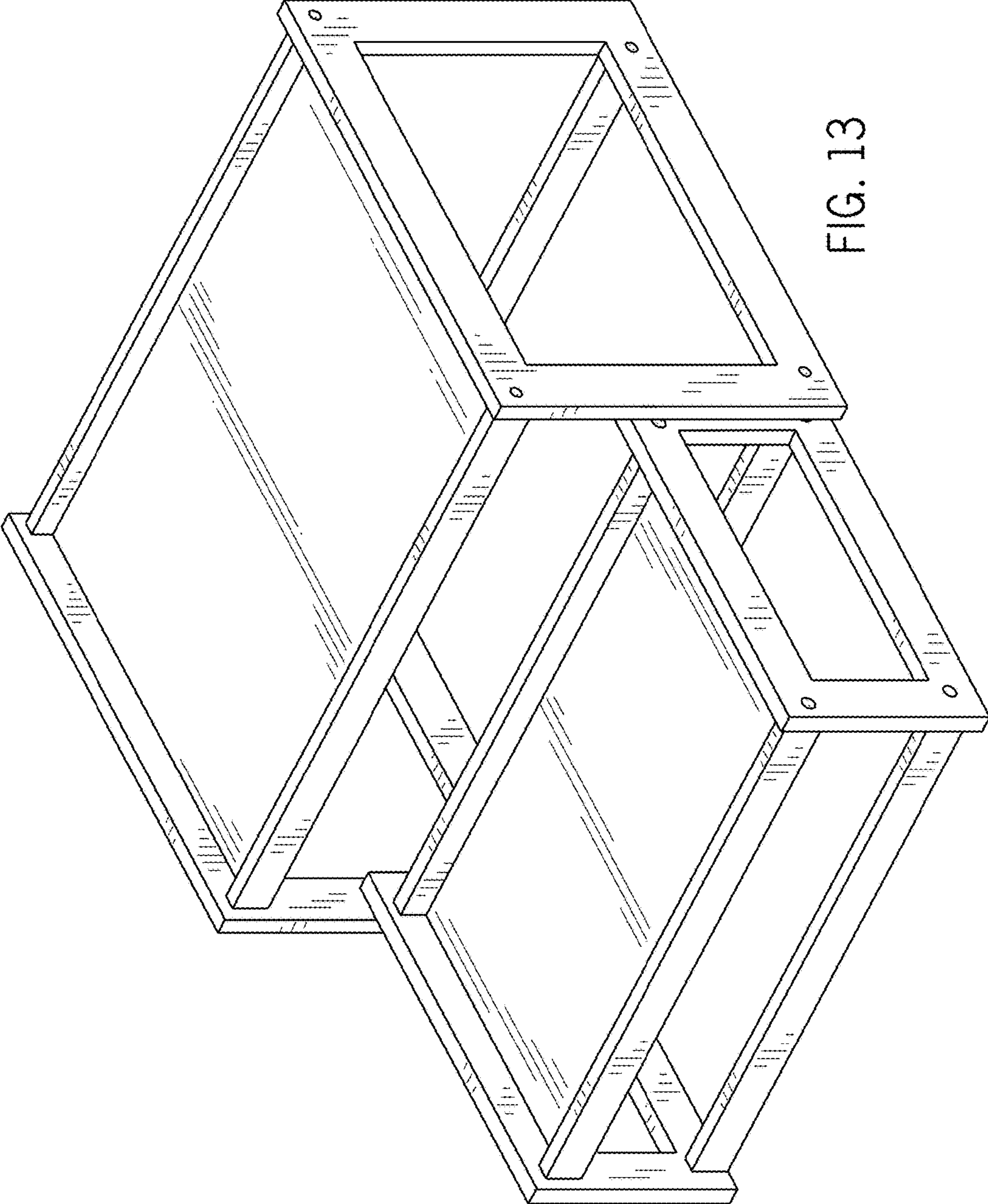


FIG. 13

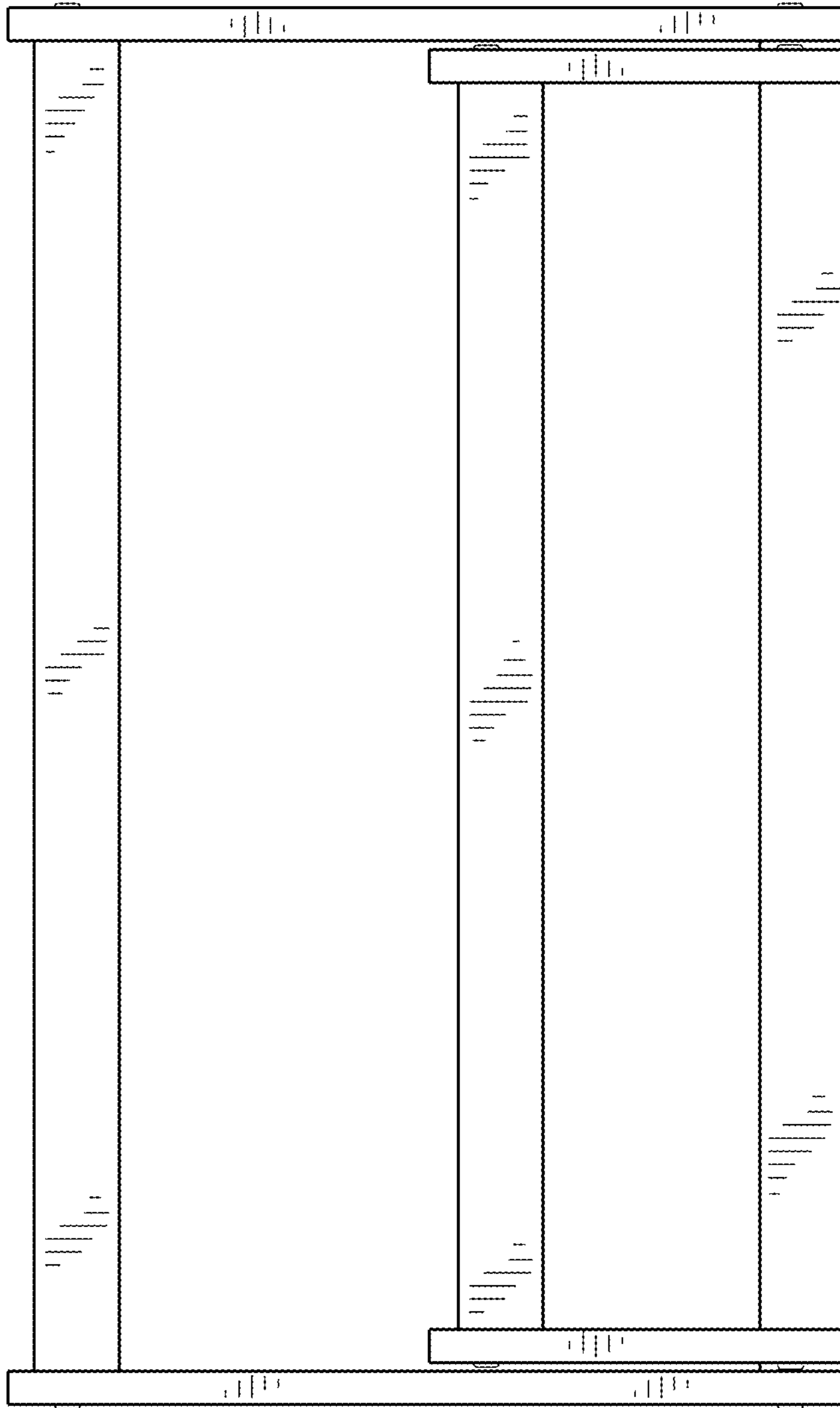


FIG. 14

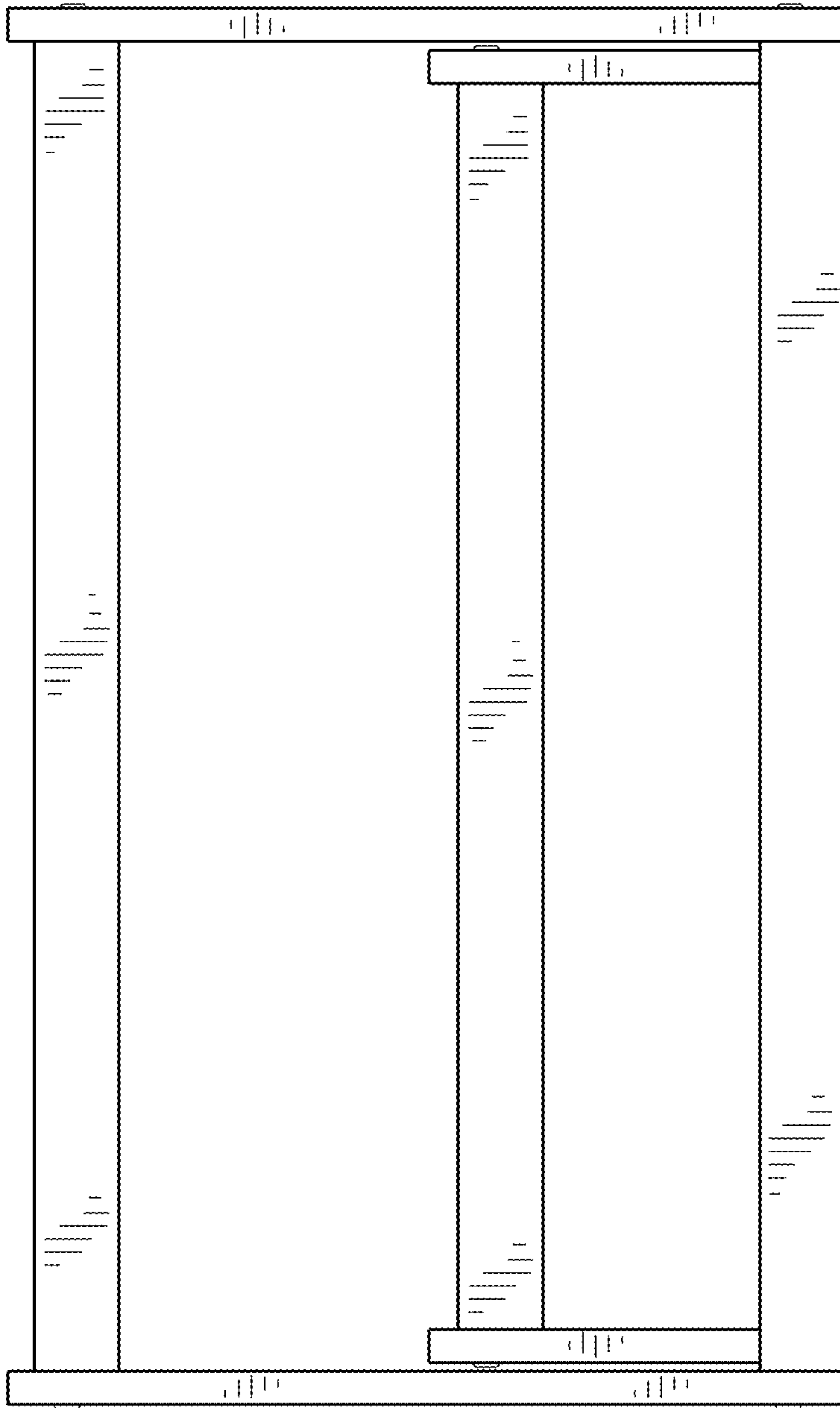


FIG. 15

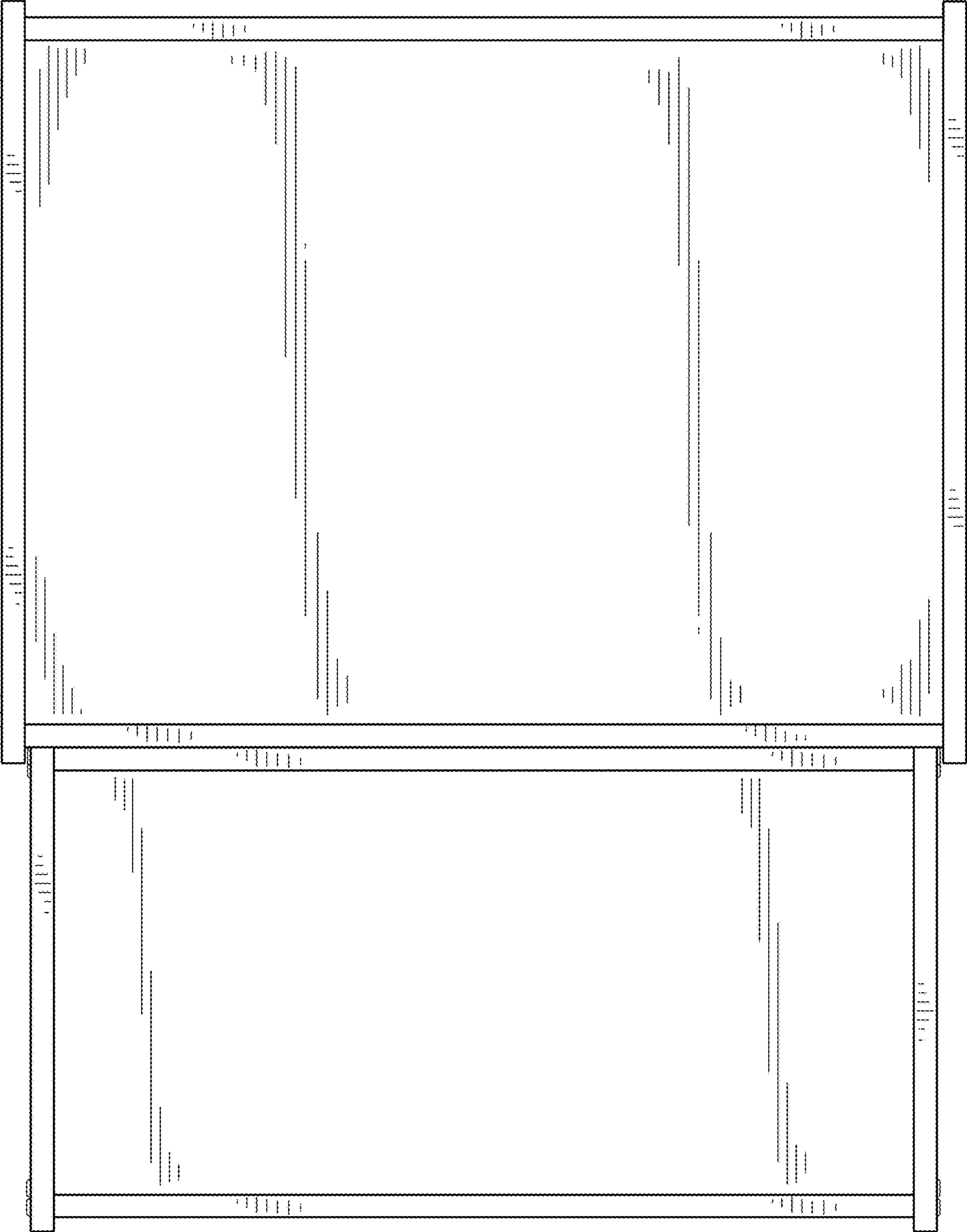


FIG. 16

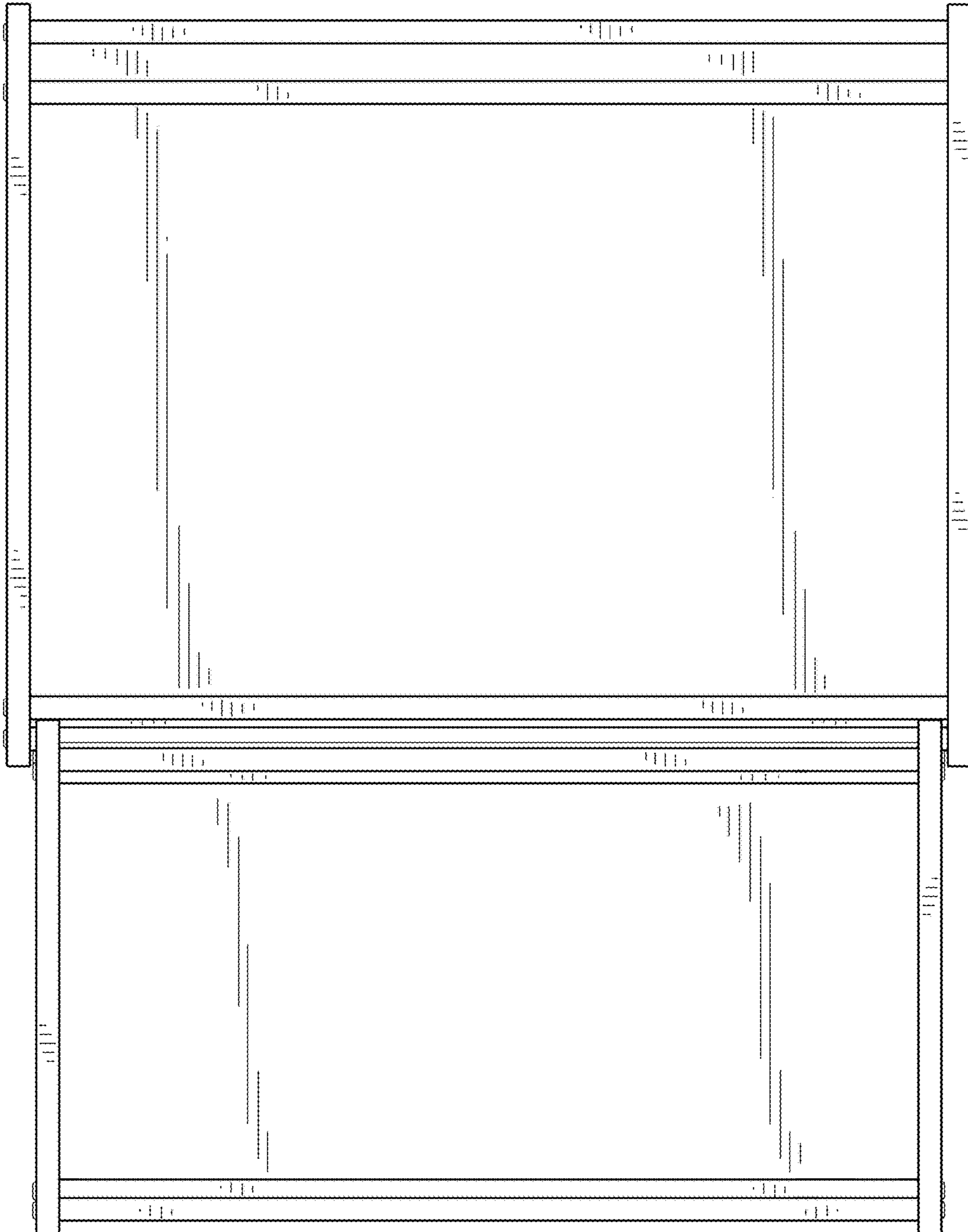


FIG. 17

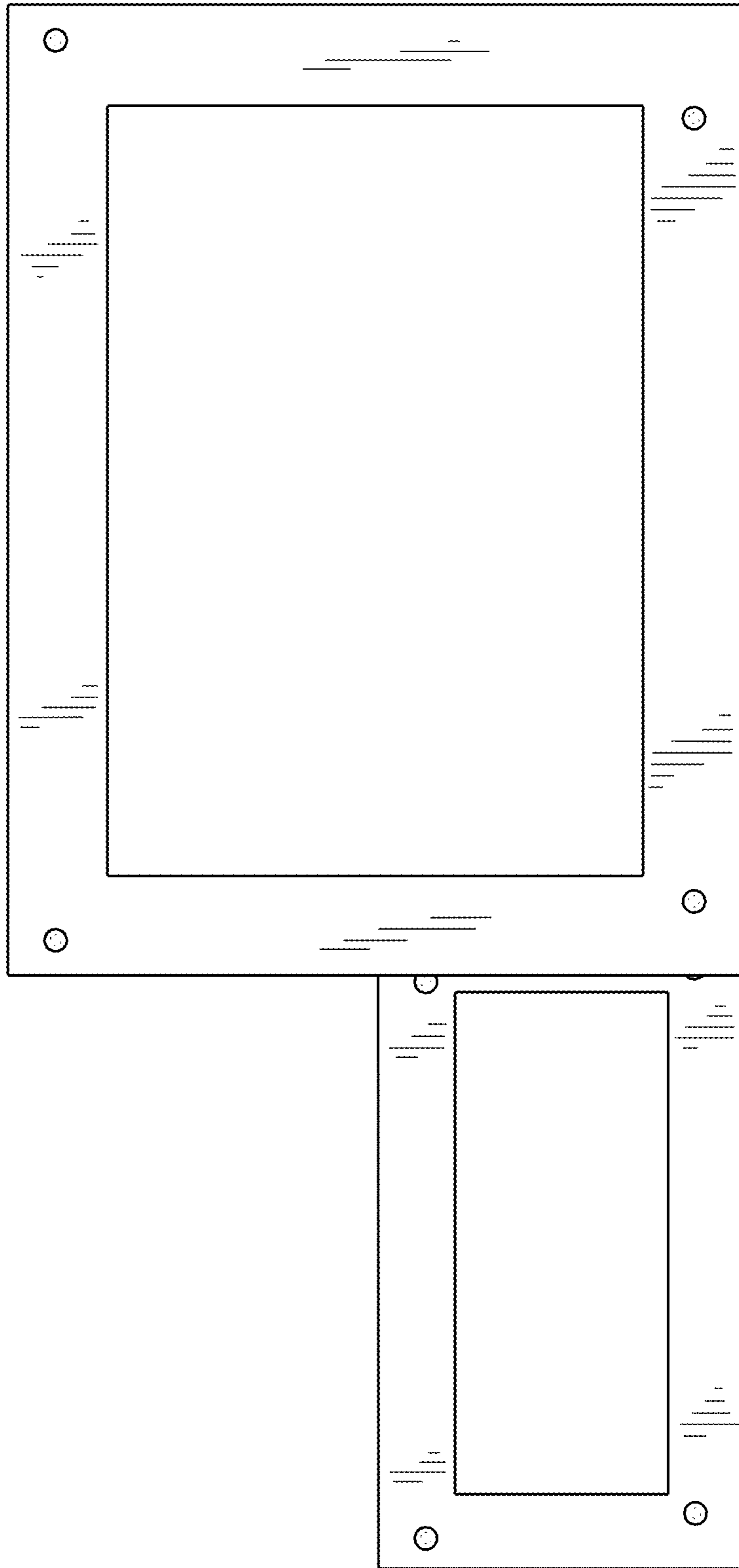


FIG. 18

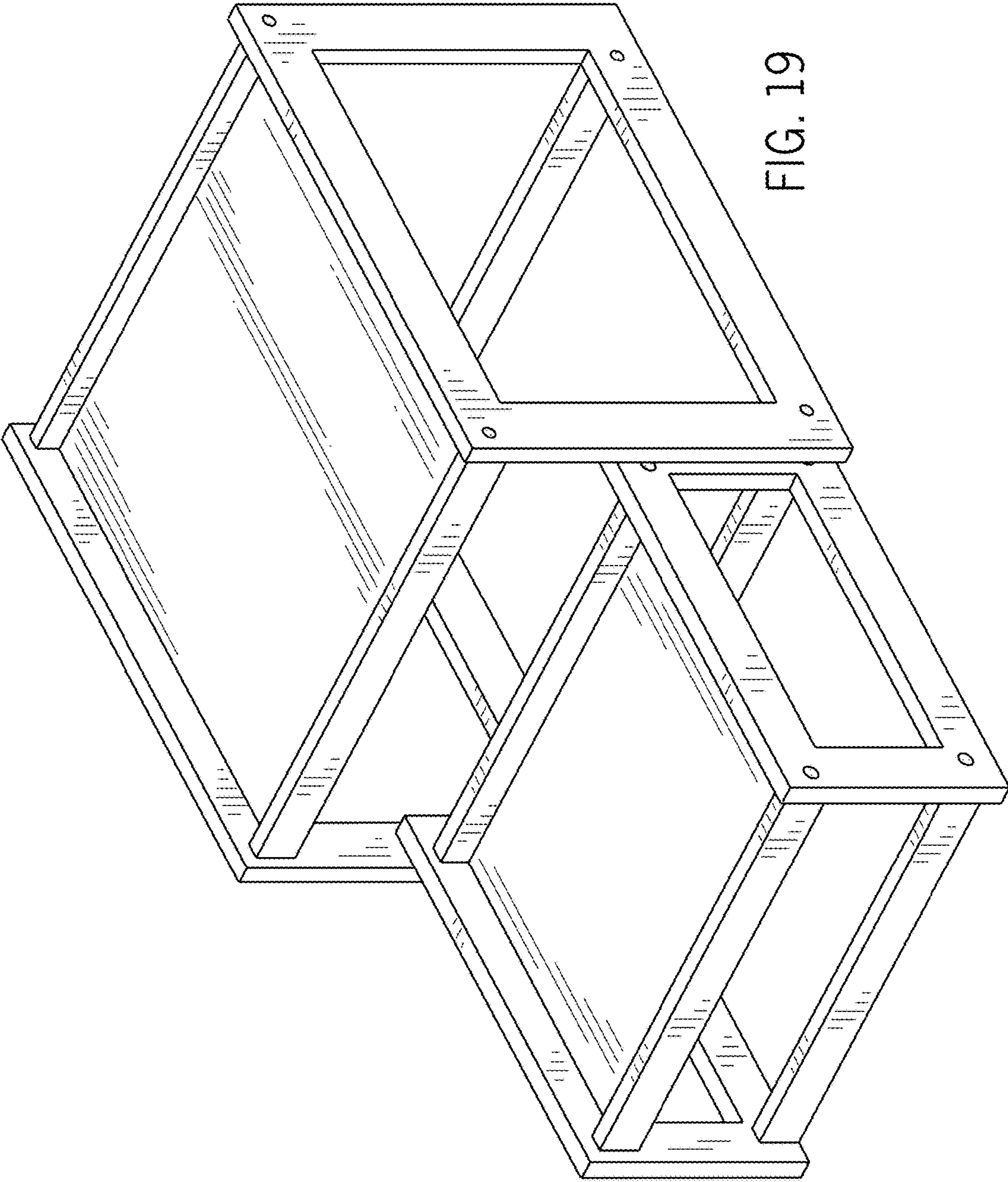


FIG. 19

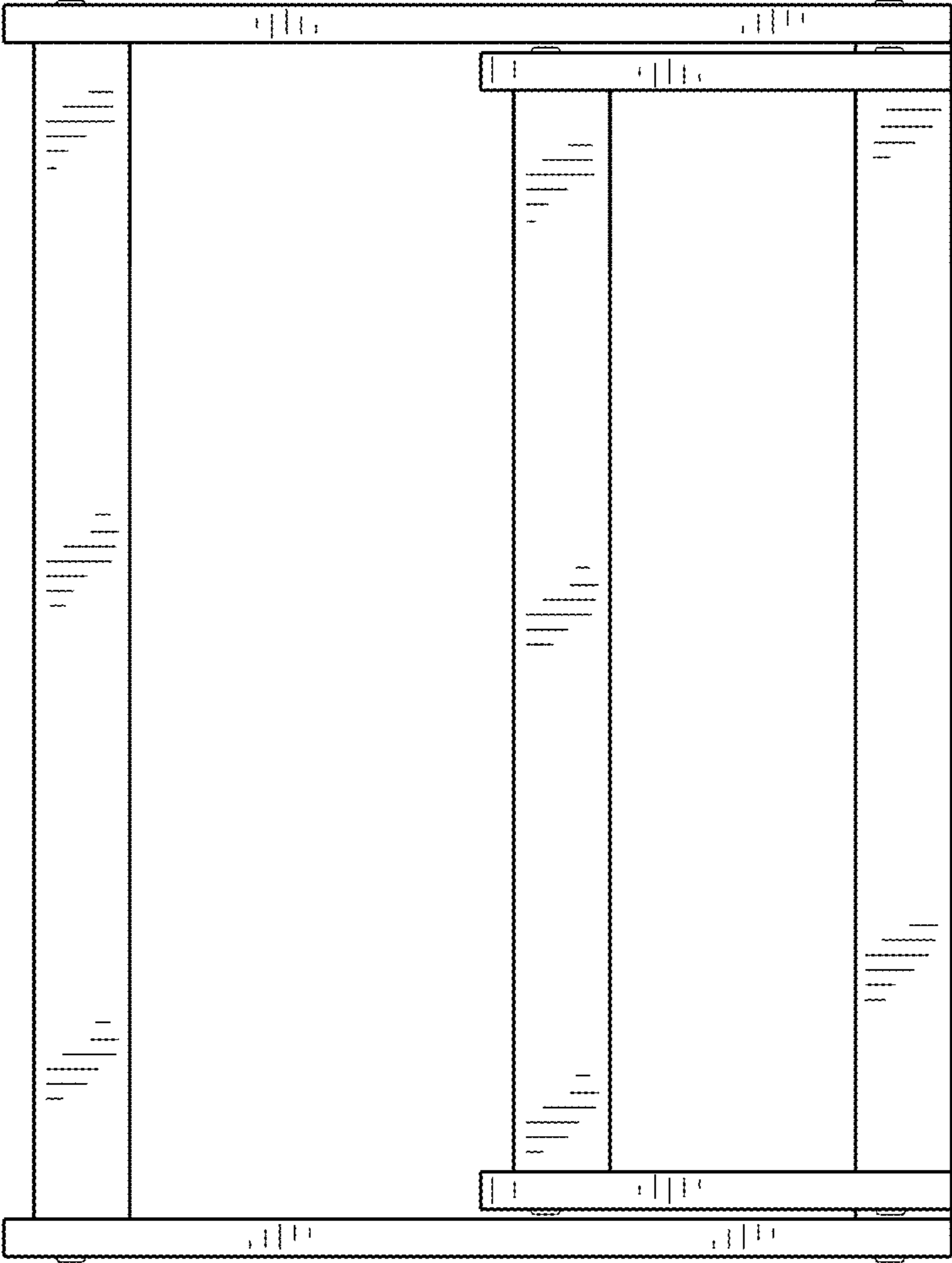


FIG. 20

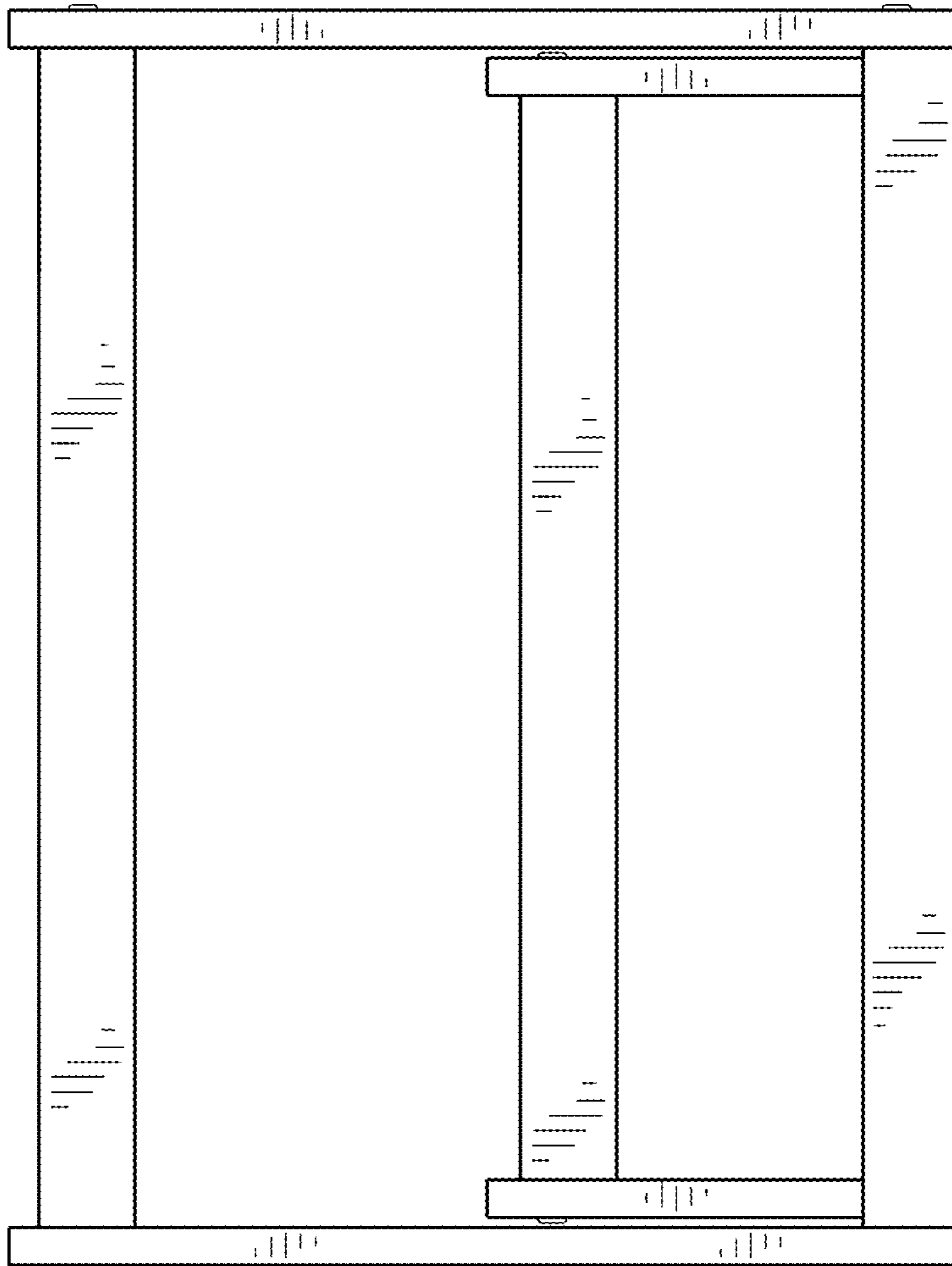


FIG. 21

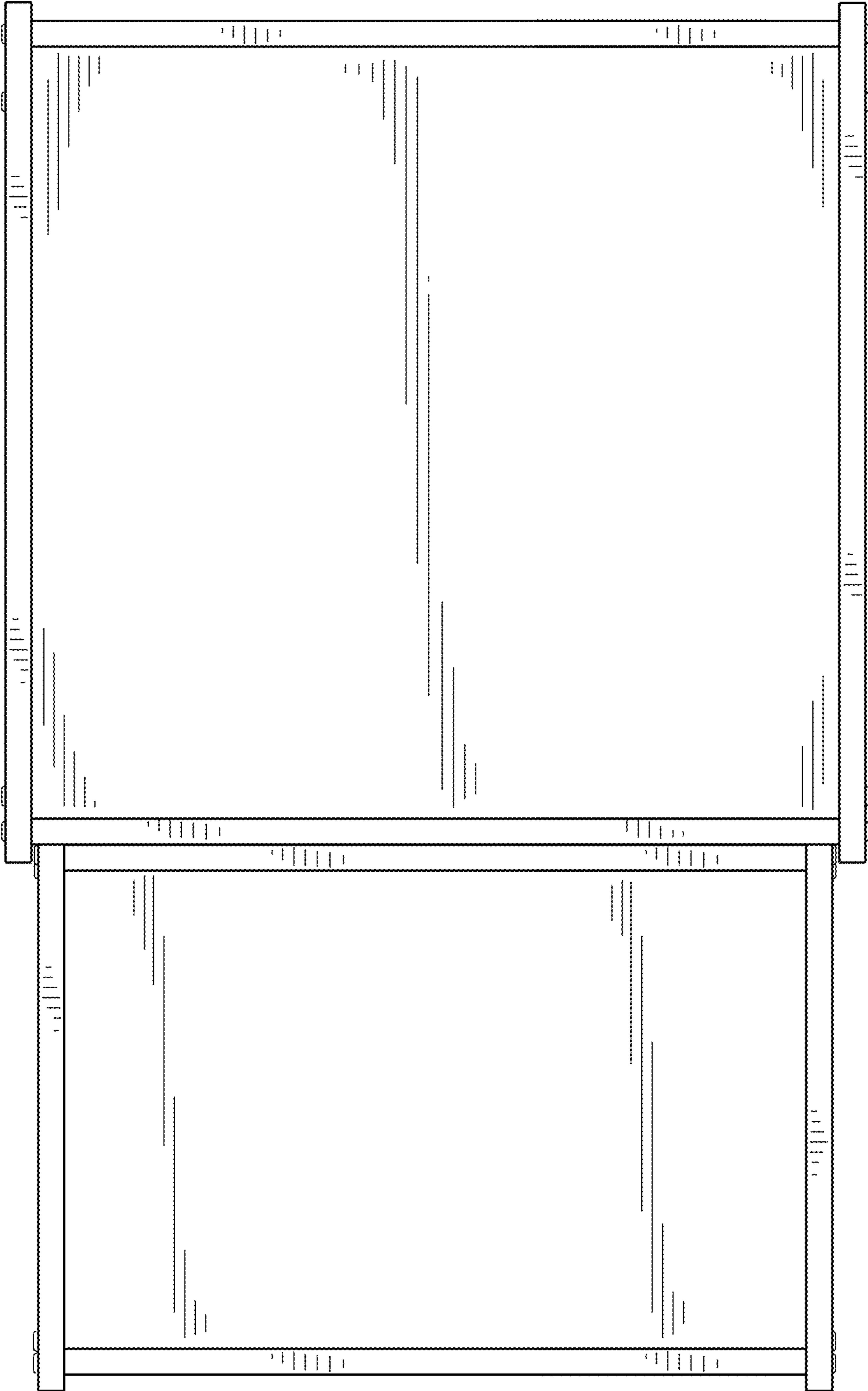


FIG. 22

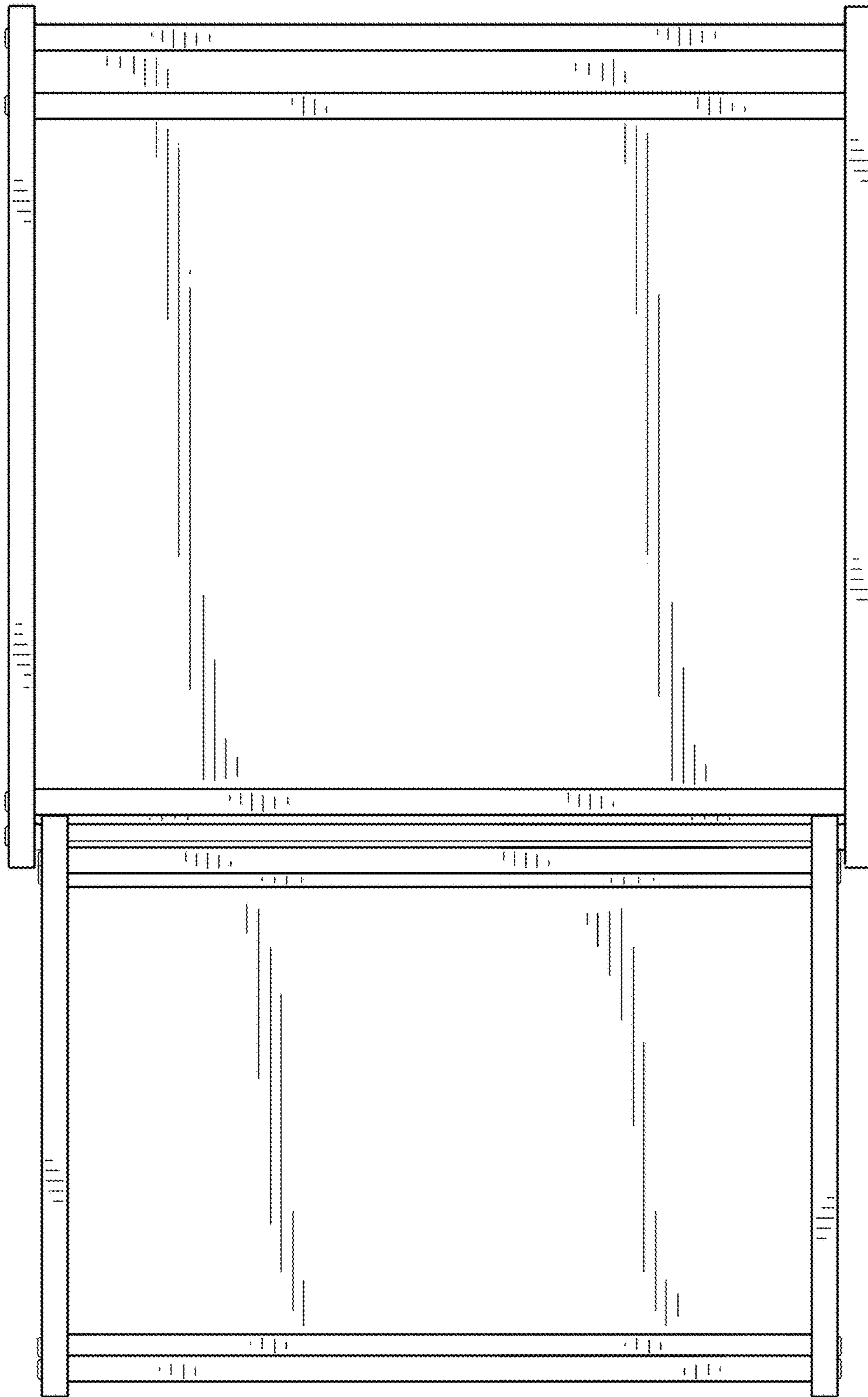


FIG. 23

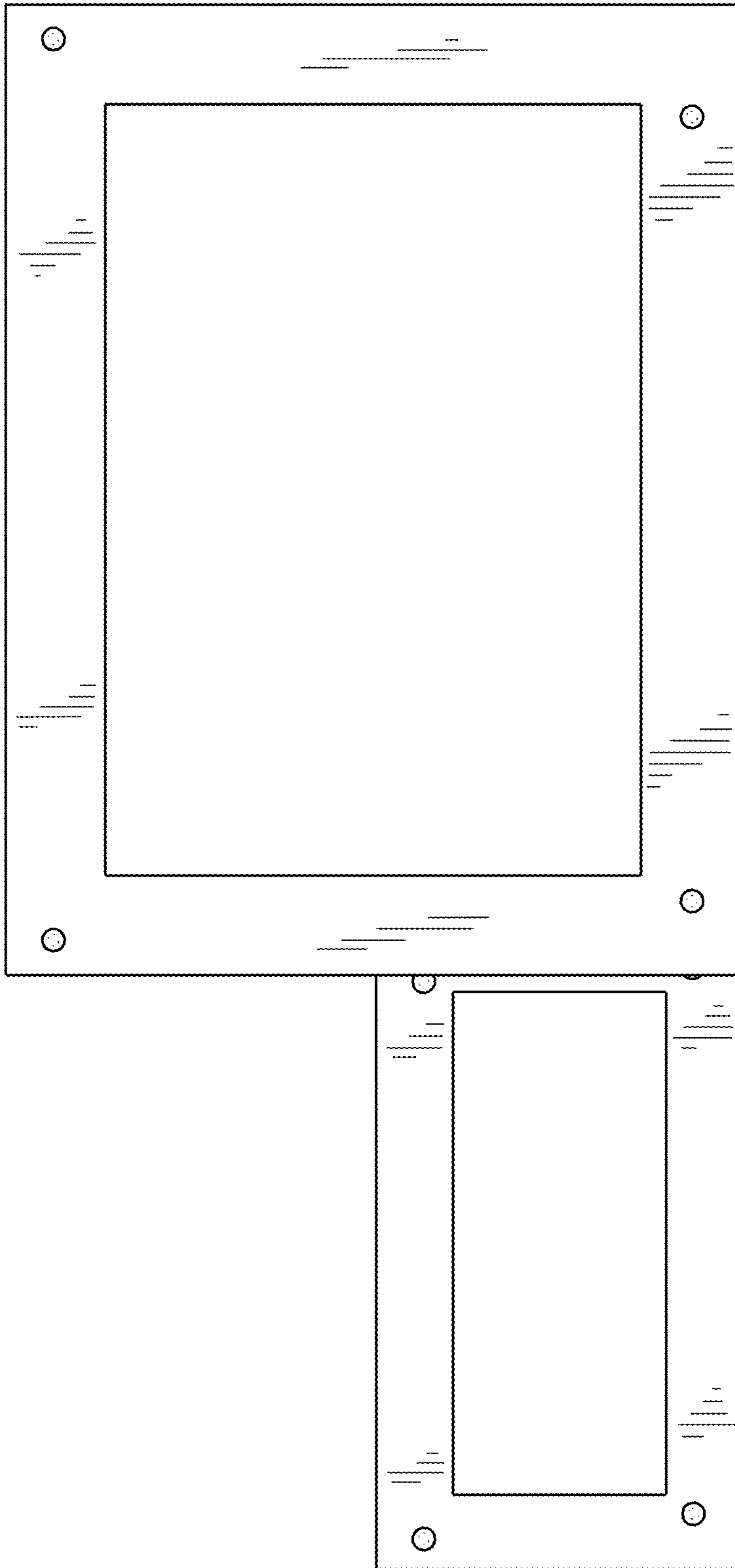


FIG. 24