



US00D802223S

(12) **United States Design Patent** (10) **Patent No.:** **US D802,223 S**
Quantz (45) **Date of Patent:** **** Nov. 7, 2017**

- (54) **CUSHIONED WRAP FOR A STRAP OF A KNEE PAD**
- (71) Applicant: **Builder Buddies, Inc.**, Birmingham, AL (US)
- (72) Inventor: **Frank Quantz**, Clearwater, FL (US)
- (**) Term: **15 Years**
- (21) Appl. No.: **29/547,655**
- (22) Filed: **Dec. 7, 2015**
- (51) **LOC (10) Cl.** **29-02**
- (52) **U.S. Cl.**
USPC **D29/121.1; D3/327; D2/639; D24/190**
- (58) **Field of Classification Search**
USPC D3/232-246, 254, 255, 273, 281, 294, D3/300, 315, 318-322, 324, 327, 328, D3/328.1, 329, 902, 903, 904, 905; D24/189, 190, 191, 192; D29/121.1, 122
CPC A45C 13/30; A45C 2013/303; A45C 2013/306; A45C 13/22; A45C 2013/226; A45C 13/001; A45F 5/102; A63B 47/001; A63B 57/20; A63B 57/0037; A63B 57/203
See application file for complete search history.

- D318,413 S * 7/1991 McNulty, Jr. D3/201
 - D328,974 S * 9/1992 King D3/318
 - D333,403 S * 2/1993 Perrone D24/190
 - D340,524 S * 10/1993 Russell D24/188
- (Continued)

OTHER PUBLICATIONS

Builder Buddies Comfort Strap Wraps (for Knee Pads), posted at Amazon.com, [online], [site visited Feb. 9, 2017]. Available from Internet, <URL: <https://www.amazon.com/BuilderBuddiesComfortStrapStandard/dp/B0114B890E>>.*

Primary Examiner — Susan E Krakower
Assistant Examiner — L. A. Grabenstetter
(74) *Attorney, Agent, or Firm* — Patrick A. Reid; Larson & Larson, P.A.

(57) **CLAIM**

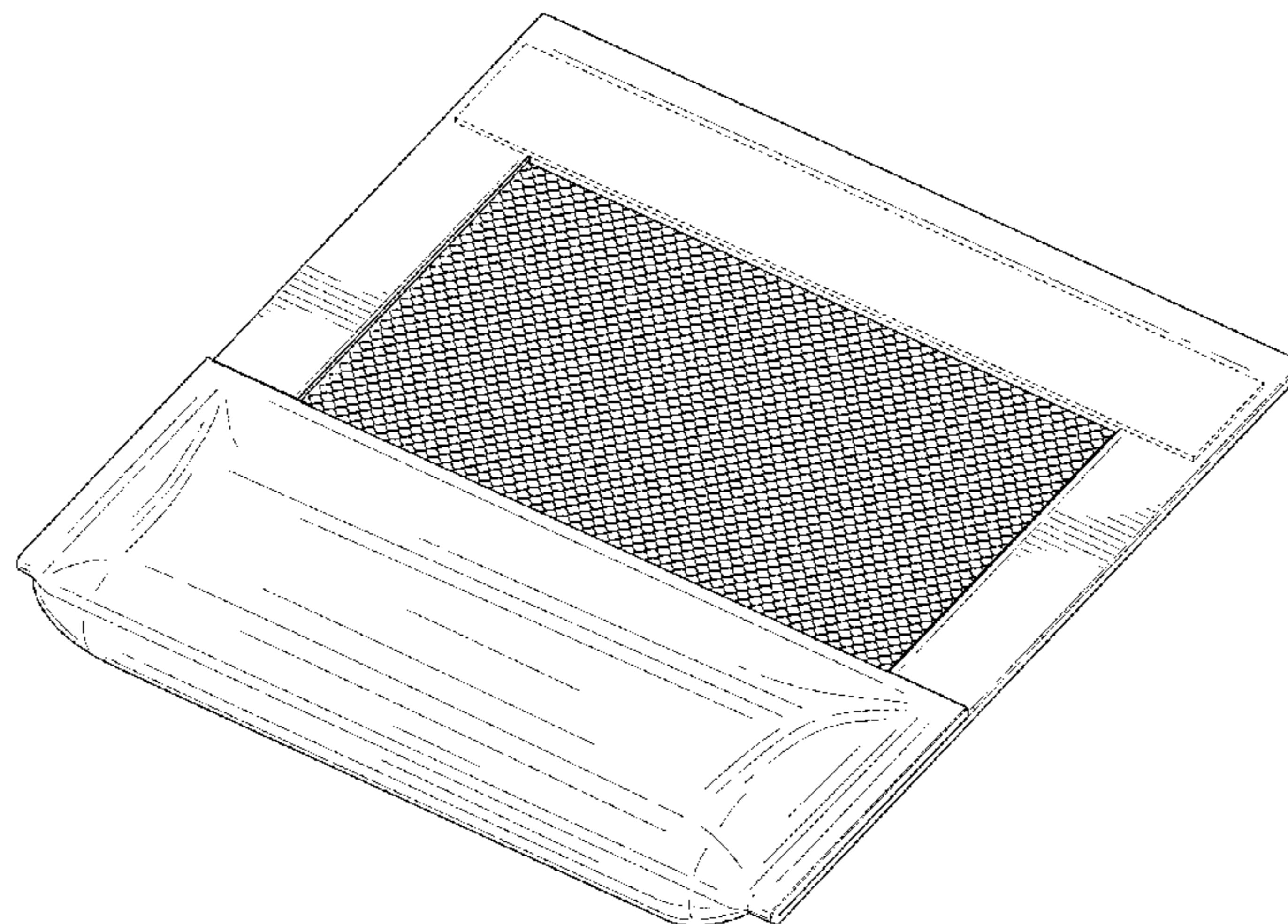
I claim the ornamental design for a cushioned wrap for a strap of a knee pad, as shown and described.

DESCRIPTION

FIG. 1 is a perspective view of a cushioned wrap for a strap of a knee pad showing my new design; FIG. 2 is a front view thereof; FIG. 3 is a back view thereof; FIG. 4 is a top view thereof; FIG. 5 is a bottom view thereof; FIG. 6 is a right side view thereof; FIG. 7 is a left side view thereof; and, FIG. 8 is a perspective view thereof, shown in a condition of use.
The broken lines depicting a fastening area are for the purpose of illustrating the unclaimed portions of the article and form no part of the claimed design.
The broken lines in FIG. 8 represent environmental structure and form no part of the claimed design.

1 Claim, 6 Drawing Sheets

- (56) **References Cited**
U.S. PATENT DOCUMENTS
- 2,476,565 A * 7/1949 Russell A41D 13/0568 2/24
- 3,125,093 A * 3/1964 Hutchins A61F 13/0273 128/DIG. 15
- 4,262,385 A * 4/1981 Norman A45C 13/26 112/441
- D275,153 S * 8/1984 Weinreb 224/264
- D302,748 S * 8/1989 Dubeck D29/122
- 4,879,768 A * 11/1989 McClees A45F 3/12 2/460
- RE33,353 E * 9/1990 Heinecke A61F 13/023 428/131
- D318,372 S * 7/1991 MacKey D3/319



(56)

References Cited

U.S. PATENT DOCUMENTS

5,566,871 A * 10/1996 Weintraub A45F 3/12
2/268
D394,956 S * 6/1998 Fruecht 294/171
D405,558 S * 2/1999 Campisi D29/121.1
D410,779 S * 6/1999 Hannah D3/318
D426,308 S * 6/2000 Negron D24/189
D435,171 S * 12/2000 Anderson D3/327
D448,663 S * 10/2001 Raftree D3/328
D520,565 S * 5/2006 Gonzales D19/89
D560,043 S * 1/2008 Nishi D29/121.1
D650,589 S * 12/2011 Overton D3/327
D686,734 S * 7/2013 Tsuruta D24/189
D698,551 S * 2/2014 Thiessen D3/318
D728,863 S * 5/2015 Fajen D29/122
D740,028 S * 10/2015 Ortego D3/300
2003/0009847 A1 * 1/2003 Godshaw A45F 5/1046
16/110.1
2009/0183299 A1 * 7/2009 Conway A44C 5/0007
2/170
2011/0314640 A1 * 12/2011 Reynolds B25G 1/102
16/430

* cited by examiner

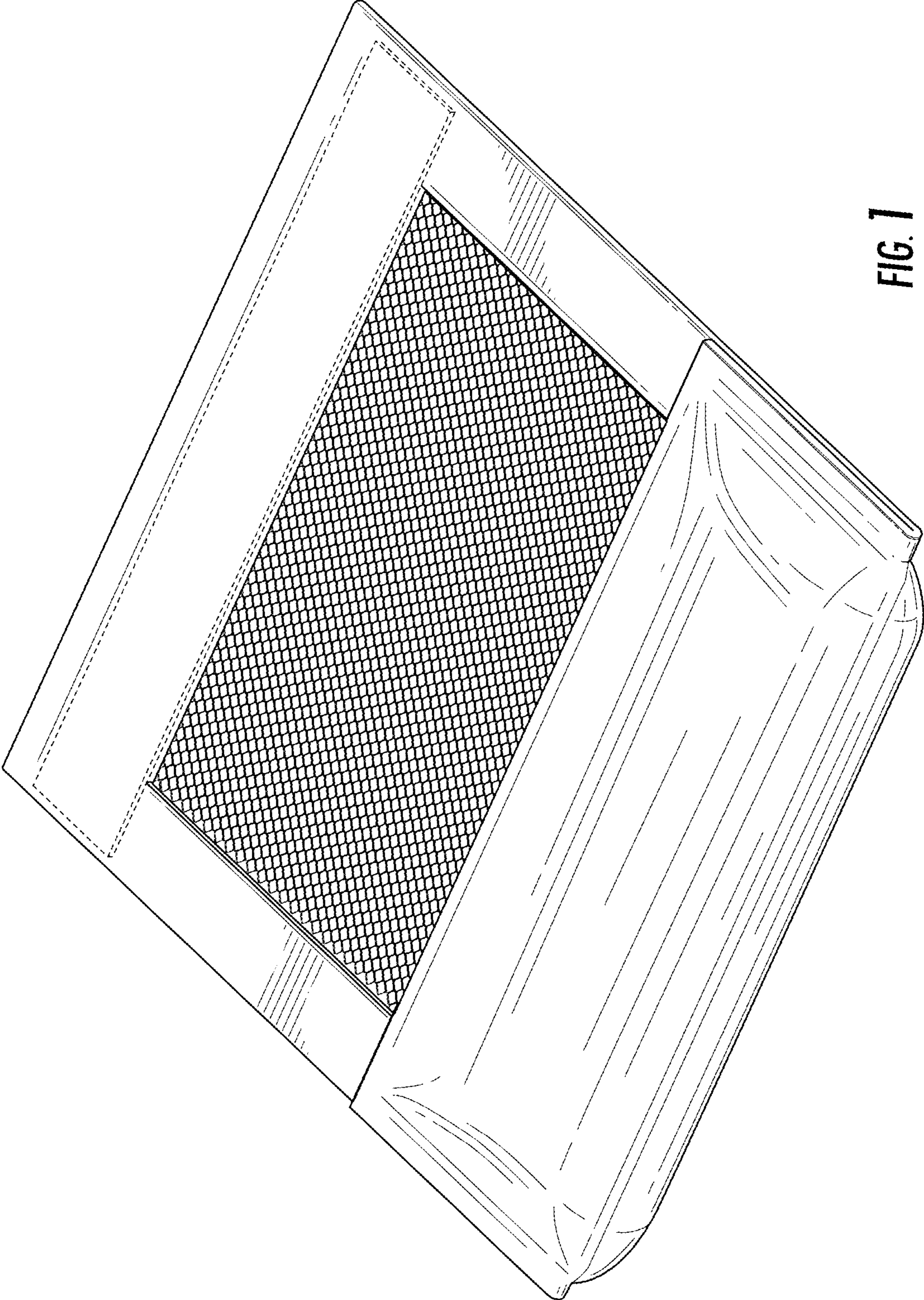
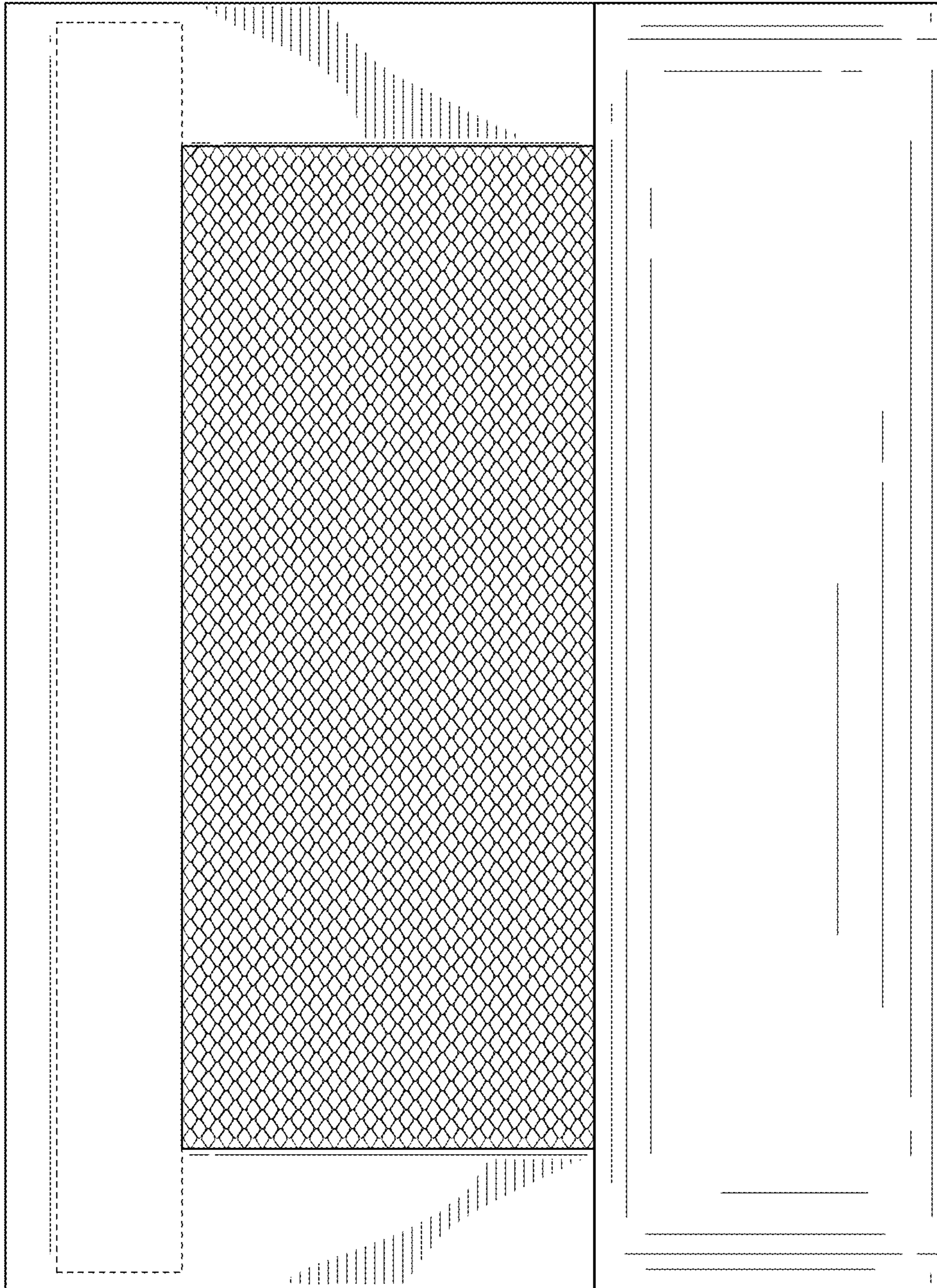


FIG. 1

FIG. 2



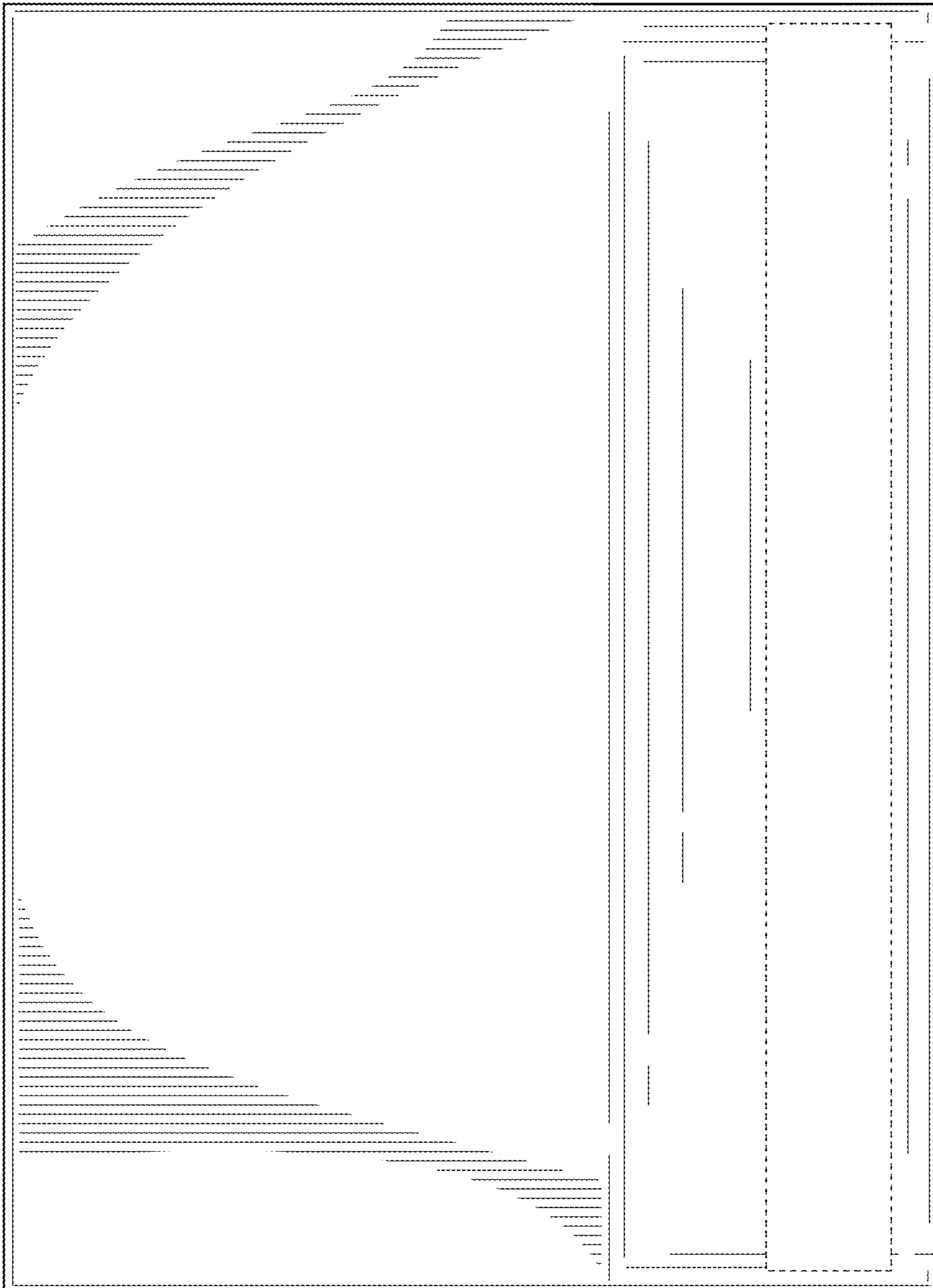


FIG. 3

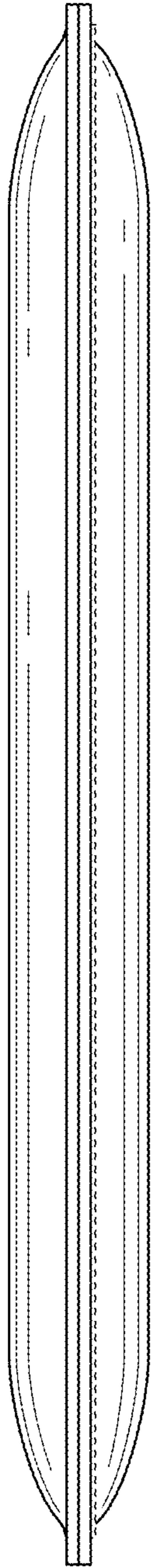


FIG. 4

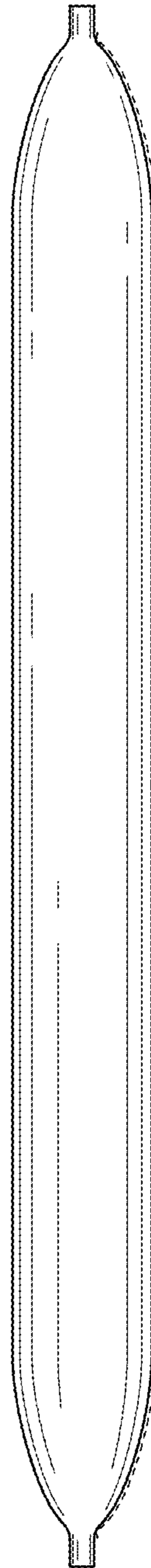


FIG. 5

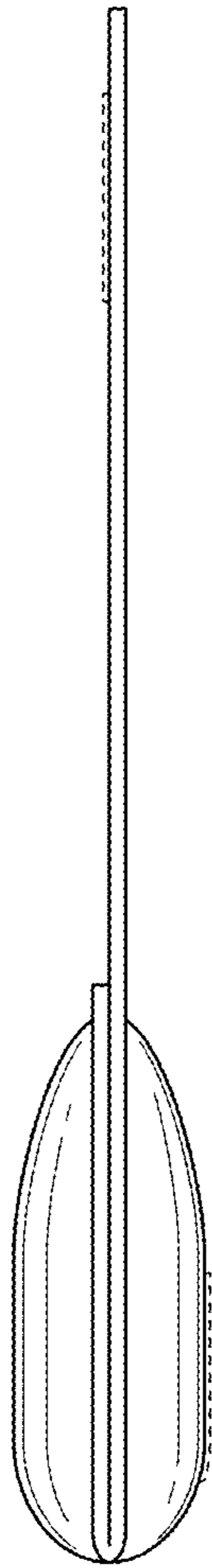


FIG. 6

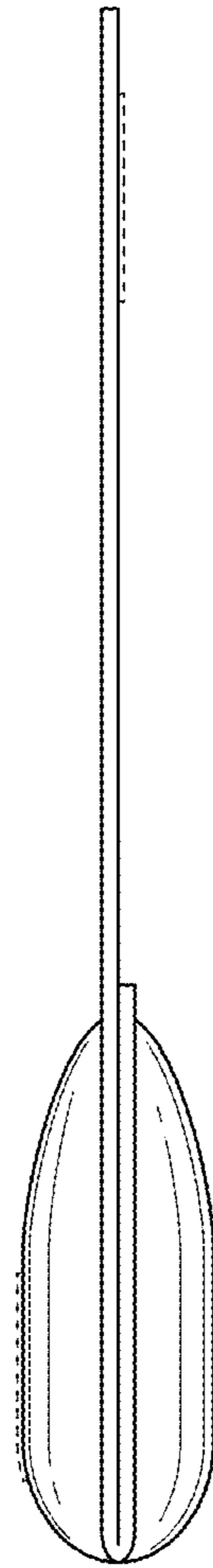


FIG. 7

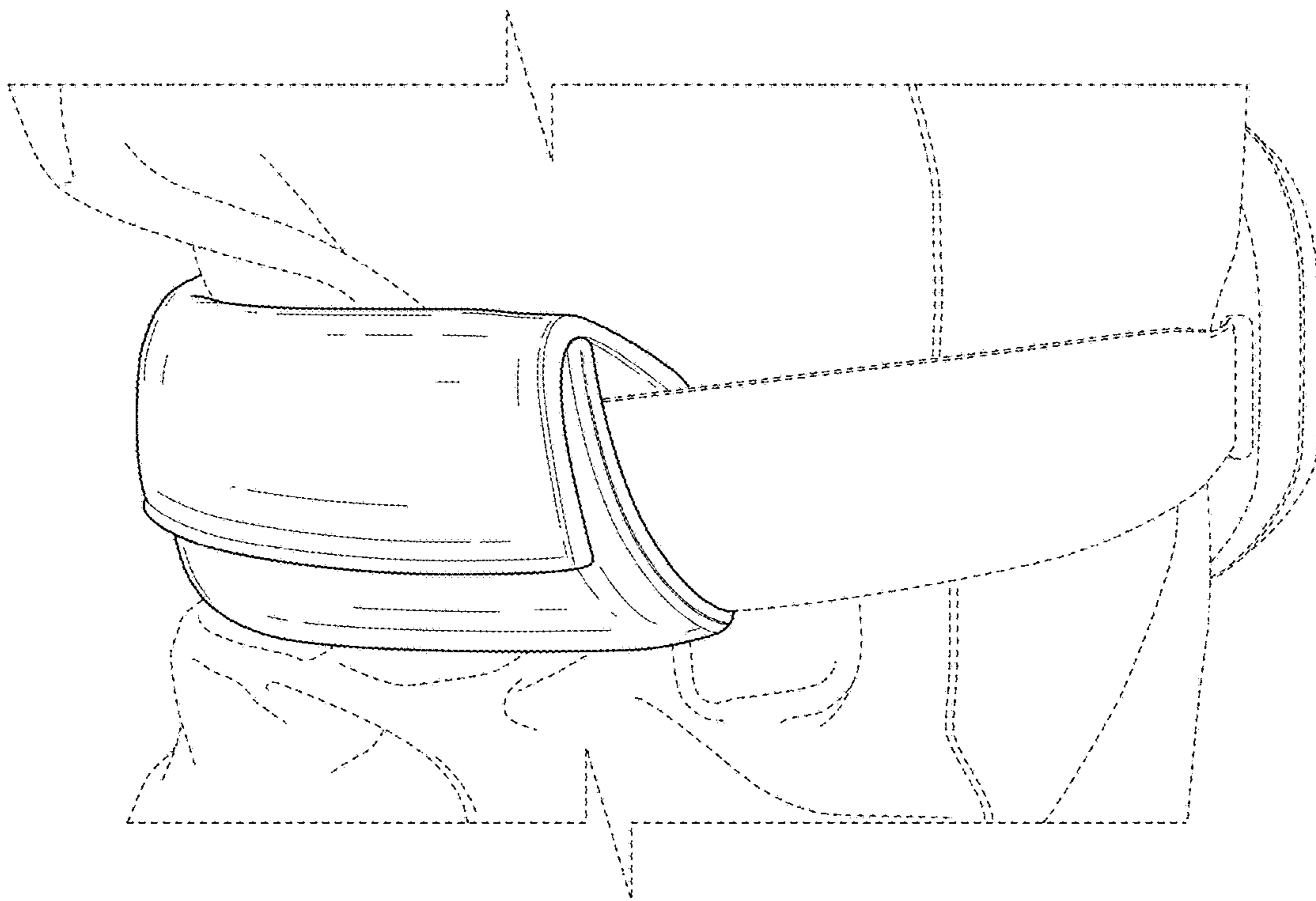


FIG. 8