



US00D802222S

(12) **United States Design Patent** (10) **Patent No.:** **US D802,222 S**  
**Marso** (45) **Date of Patent:** **\*\* Nov. 7, 2017**

(54) **PROTECTIVE GLOVE**  
(71) Applicant: **Nukks L. L. C.**, St. Paul, MN (US)  
(72) Inventor: **Daniel J. Marso**, St. Paul, MN (US)  
(73) Assignee: **Nukks L. L. C.**, Saint Paul, MN (US)  
(\*\*) Term: **15 Years**  
(21) Appl. No.: **29/569,679**  
(22) Filed: **Jun. 29, 2016**

D721,868 S \* 2/2015 Fisher ..... D2/619  
D733,364 S \* 6/2015 Choi ..... D29/117.1  
D745,746 S \* 12/2015 Hughes ..... D29/117.1  
D759,318 S \* 6/2016 Wyatt ..... D29/117.1  
2009/0044306 A1 \* 2/2009 Lamson ..... A41D 19/01523  
2/16  
2011/0067165 A1 \* 3/2011 Fream ..... A63B 71/143  
2/161.1

(Continued)

**FOREIGN PATENT DOCUMENTS**

CA 2287253 A1 \* 9/1999 ..... A63B 71/143  
CA 2737874 A1 \* 10/2012 ..... A63B 71/143  
WO WO-9848653 A1 \* 11/1998 ..... A63B 71/143

**Related U.S. Application Data**

(63) Continuation of application No. 15/170,637, filed on Jun. 1, 2016.  
(51) **LOC (10) Cl.** ..... **02-06**  
(52) **U.S. Cl.**  
USPC ..... **D29/117.1**  
(58) **Field of Classification Search**  
USPC ..... D29/100, 113, 115, 116.1, 116.2, 116.3,  
D29/117.1, 117.2, 118, 120.1;  
D2/617-622  
CPC ..... A63B 2102/24; A63B 71/143  
See application file for complete search history.

**OTHER PUBLICATIONS**

Nukks Gloves, posted at twitter.com, posting date Oct. 23, 2014, [online], [site visited Aug. 30, 2017]. Available from Internet, URL: <https://twitter.com/nukksgloves> (Year: 2014).\*

(Continued)

*Primary Examiner* — George D. Kirschbaum  
*Assistant Examiner* — Maria J Edwards  
(74) *Attorney, Agent, or Firm* — Grumbles Law PLLC;  
Brittany Nanzig

(56) **References Cited**

**U.S. PATENT DOCUMENTS**

4,497,073 A \* 2/1985 Deutsch ..... A63B 71/143  
2/16  
D287,904 S \* 1/1987 Pierce, Jr. .... D29/117.1  
4,768,234 A \* 9/1988 Yamamoto ..... A41D 19/01523  
2/16  
4,930,162 A \* 6/1990 Cote ..... A63B 71/143  
2/16  
D328,369 S \* 7/1992 Hong ..... D29/117.1  
5,511,242 A \* 4/1996 Bianchi ..... A63B 71/143  
2/16  
5,946,720 A \* 9/1999 Sauriol ..... A63B 71/143  
2/16

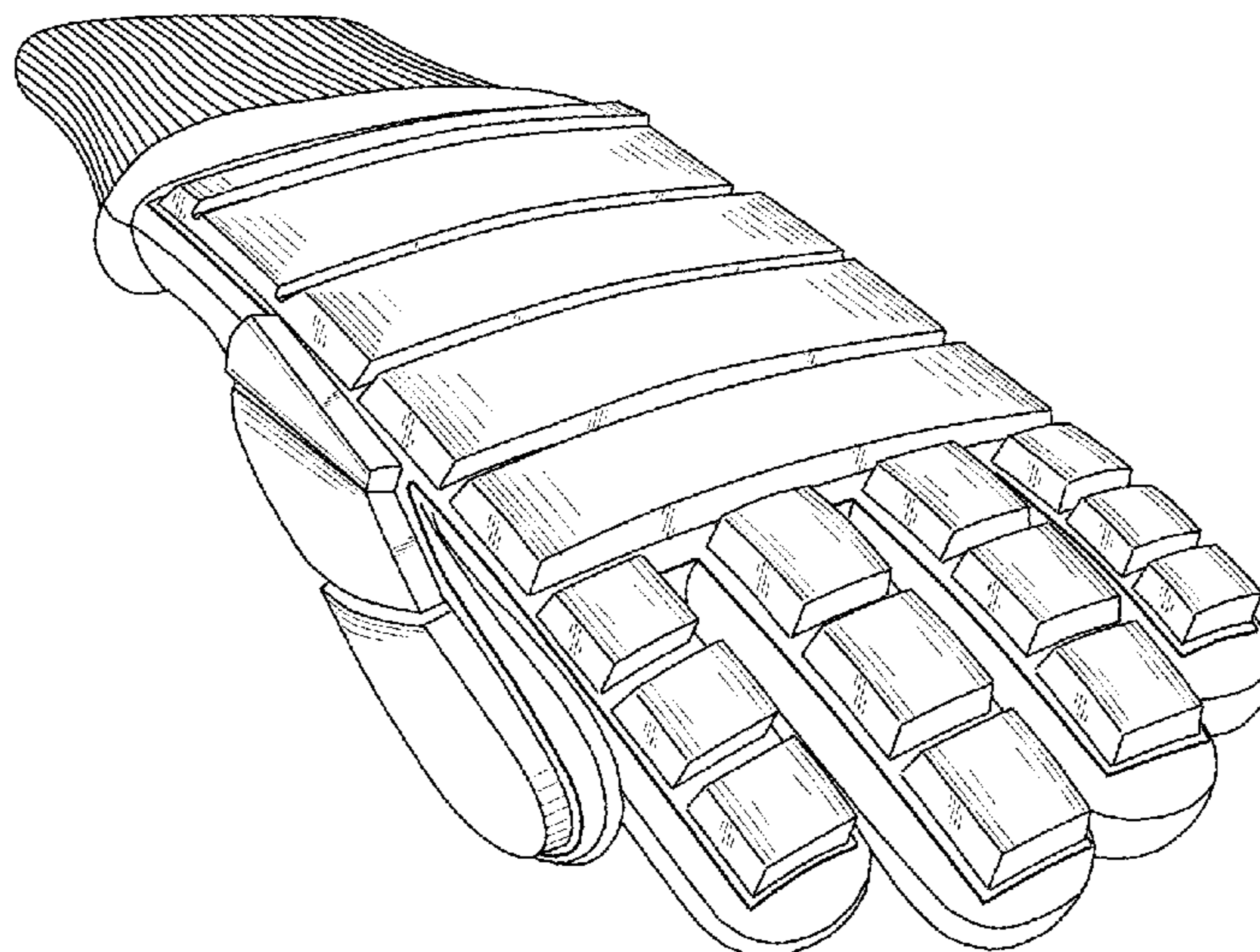
(57) **CLAIM**

The ornamental design for a protective glove, as shown and described.

**DESCRIPTION**

FIG. 1 is a perspective front view of a protective glove showing my new design.  
FIG. 2 is a left side view of the protective glove.  
FIG. 3 is a right side view of the protective glove.  
FIG. 4 is a front view of the protective glove.  
FIG. 5 is a back view of the protective glove; and,  
FIG. 6 is a bottom view of the protective glove.

**1 Claim, 3 Drawing Sheets**



(56)

**References Cited**

U.S. PATENT DOCUMENTS

2012/0054937 A1\* 3/2012 Robaire ..... A63B 71/148  
2/16  
2014/0143926 A1\* 5/2014 Brown ..... A63B 71/143  
2/20  
2015/0202521 A1\* 7/2015 Abdelmalek ..... A63B 71/141  
2/20  
2016/0082342 A1\* 3/2016 Brown ..... A63B 71/143  
2/20  
2016/0345646 A1\* 12/2016 Marso ..... A63B 71/14

OTHER PUBLICATIONS

Warrior Hockey Glove, posted at ebay.com, posting date not given,  
[online], [site visited Aug. 30, 2017]. Available from Internet, URL:  
<http://www.ebay.com/itm/like/202015789576>.\*

Wild Nukks Winter Gloves, posted at facebook.com, posting date  
Sep. 16, 2014, [online], [site visited Aug. 30, 2017]. Available from  
Internet, URL: <https://www.facebook.com/nukks-gloves/> (Year:  
2014).\*

\* cited by examiner

FIG. 1

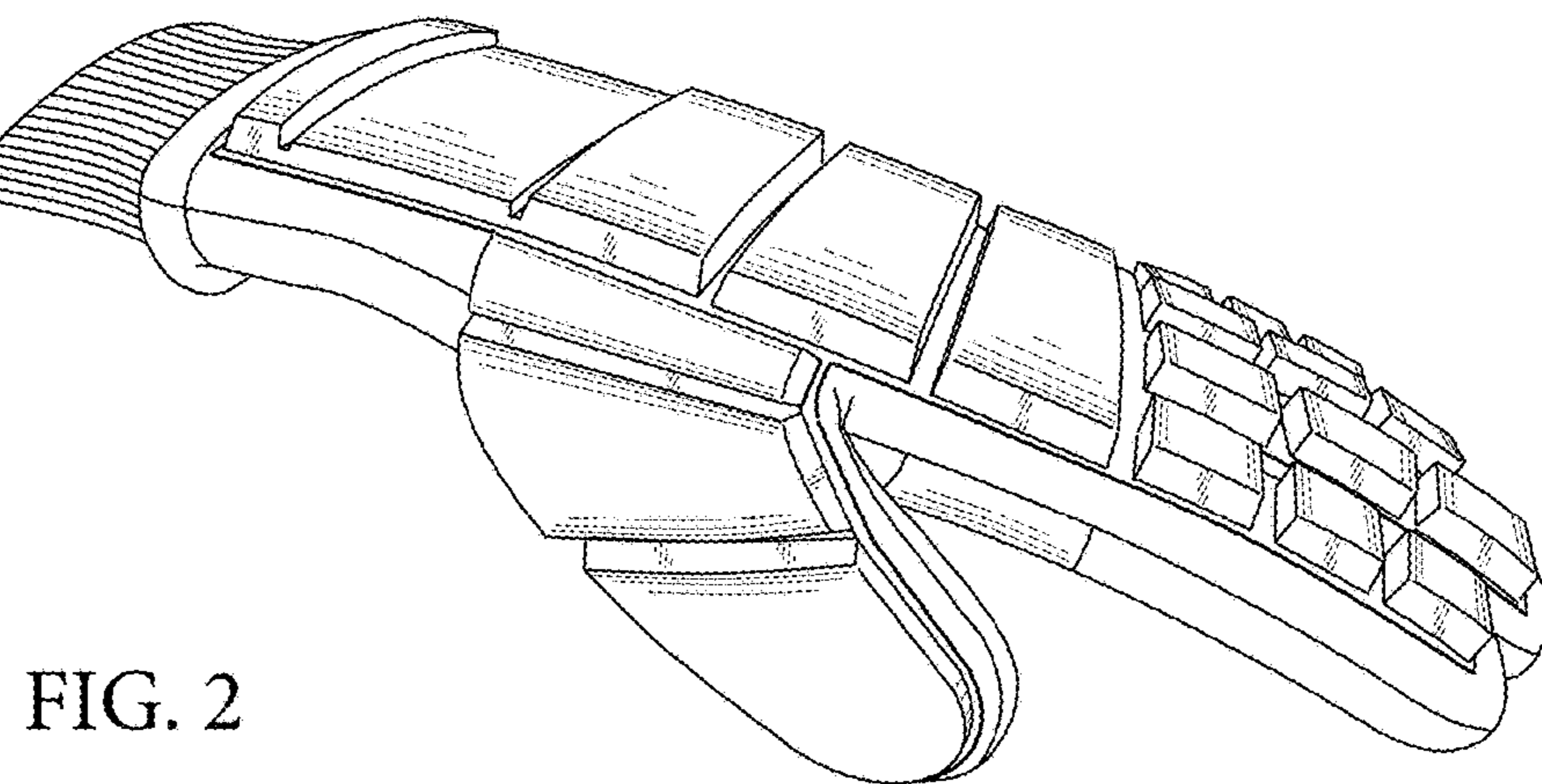
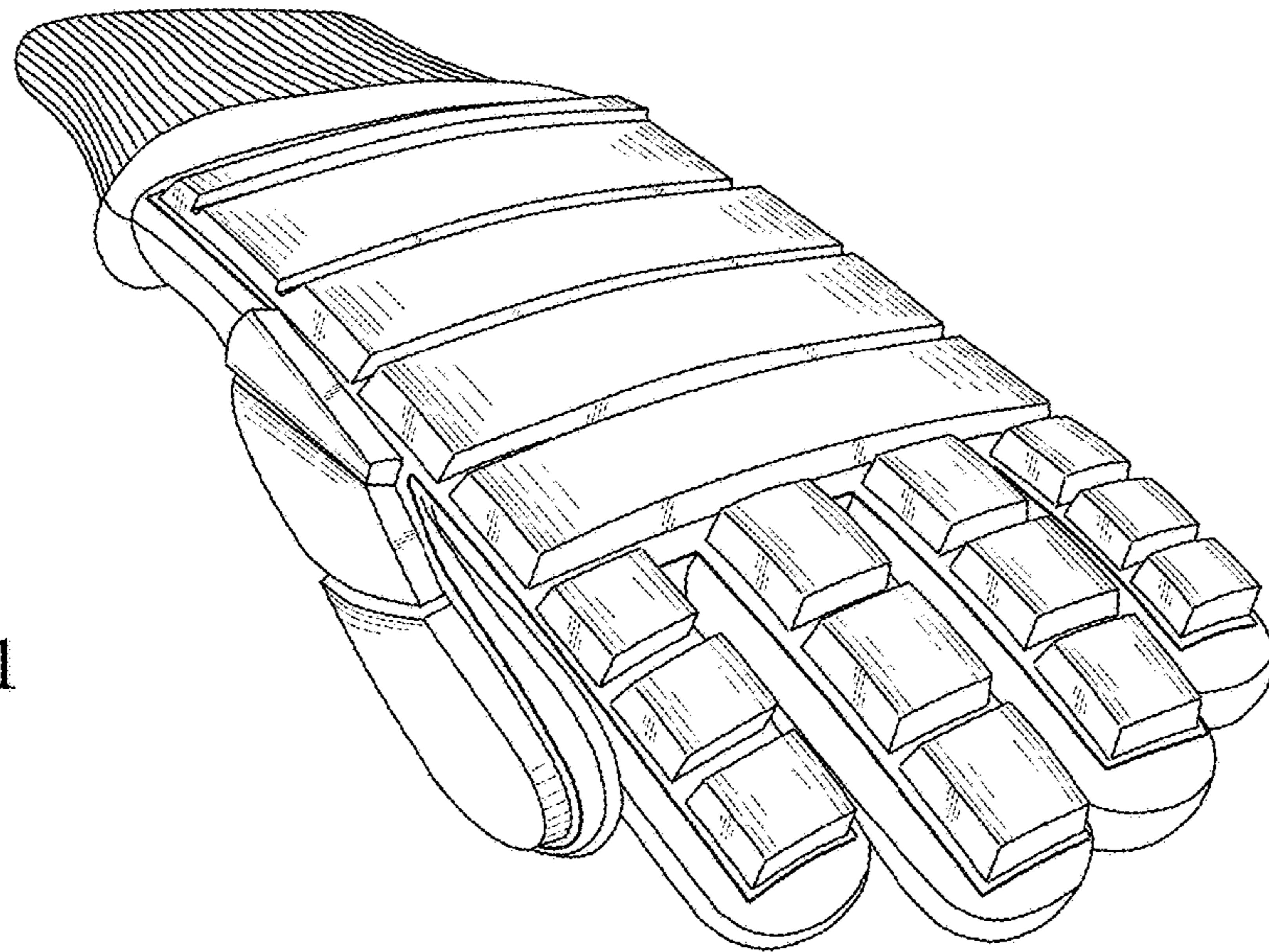


FIG. 2

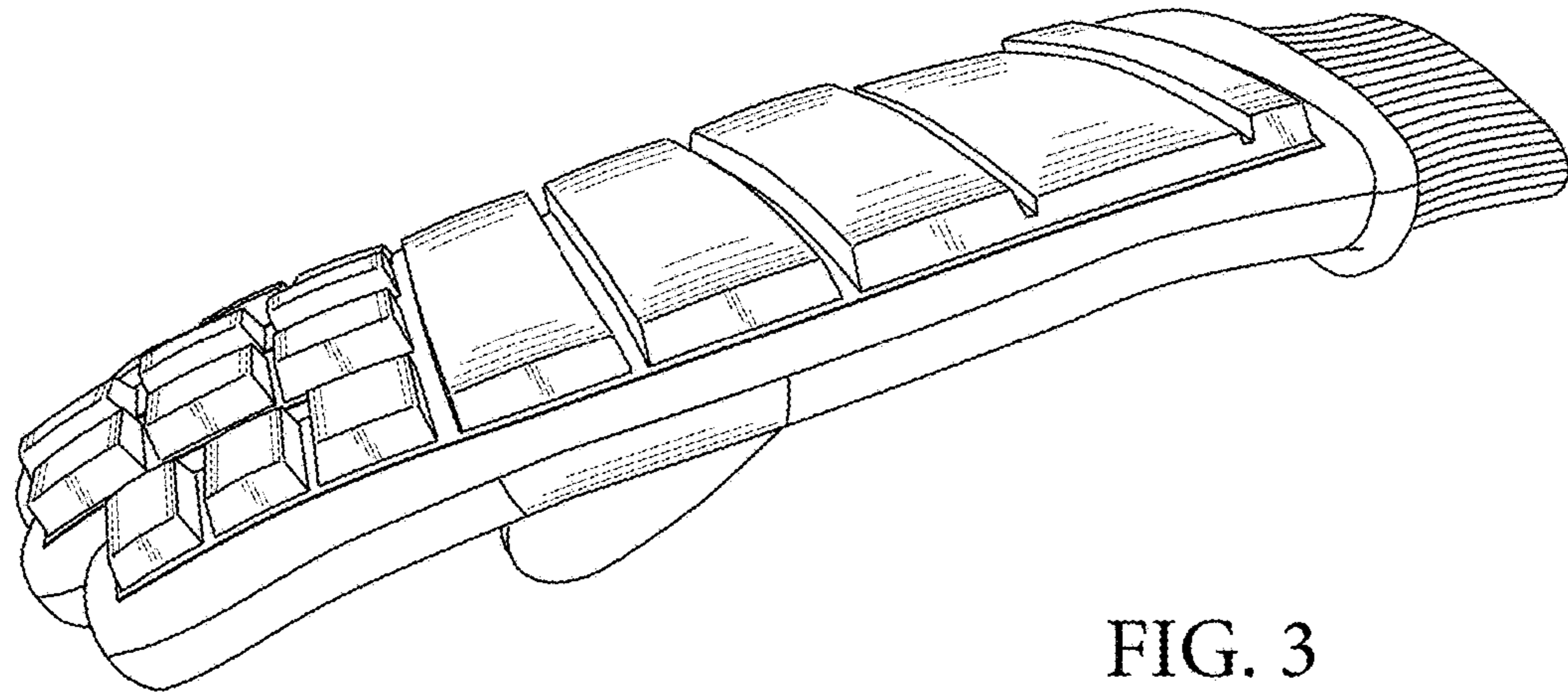


FIG. 3

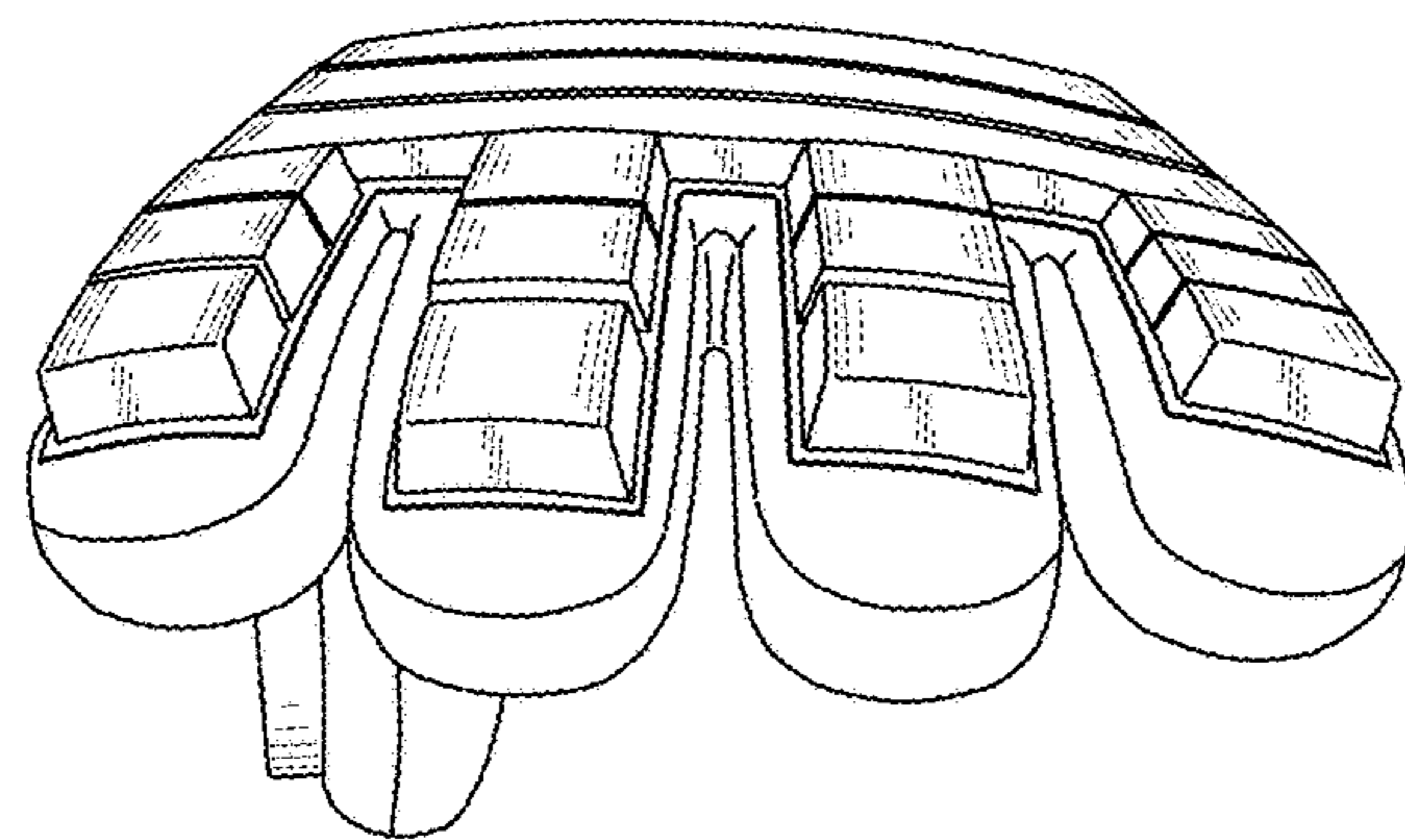


FIG. 4

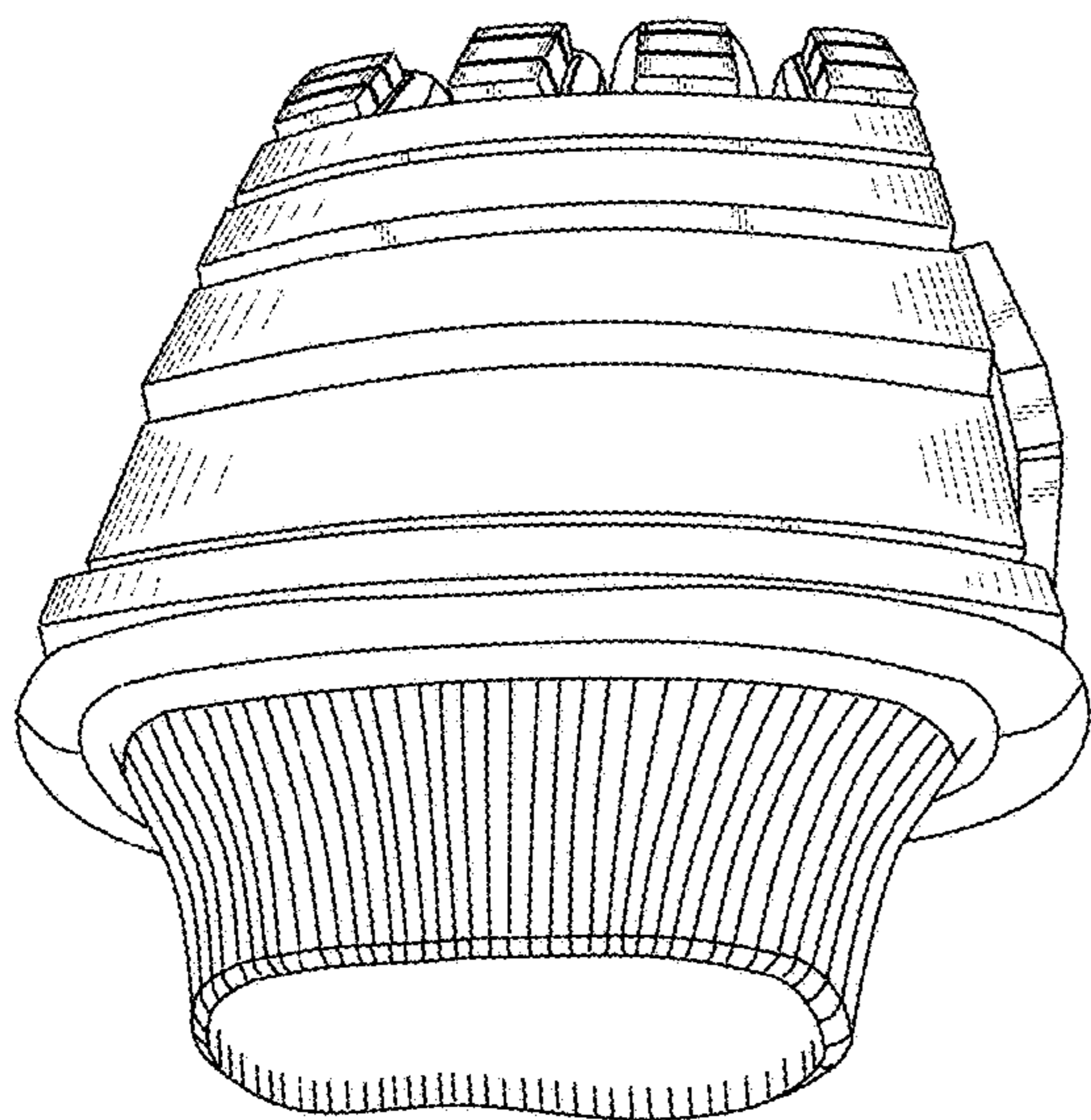


FIG. 5

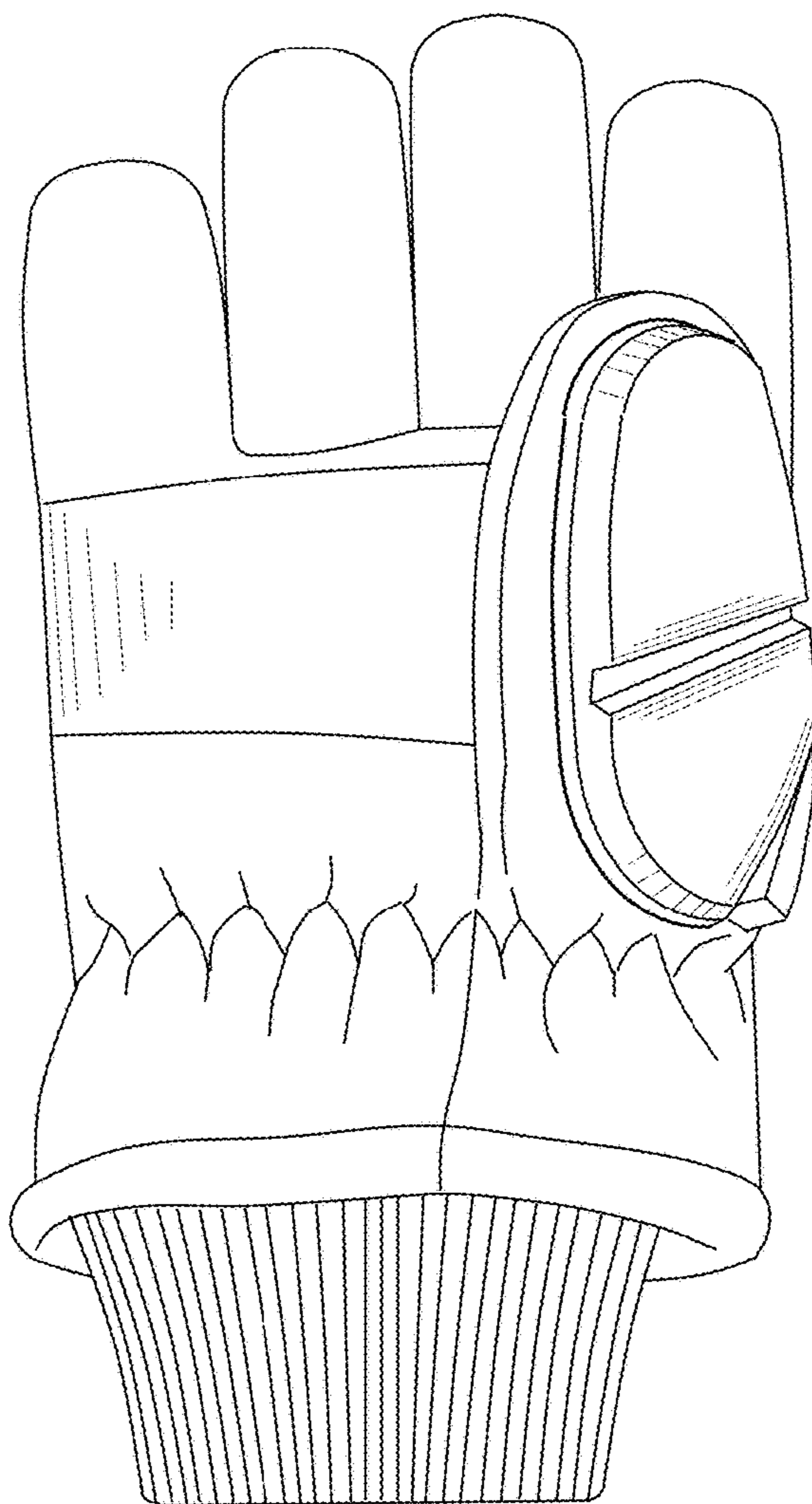


FIG. 6