



US00D802216S

(12) **United States Design Patent** (10) **Patent No.:** **US D802,216 S**  
**Mintz et al.** (45) **Date of Patent:** **\*\* Nov. 7, 2017**

(54) **CLIPPER HEAD**

FOREIGN PATENT DOCUMENTS

(71) Applicant: **Medline Industries, Inc.**, Northfield, IL (US)

CN 201471468 5/2010  
EP 0181288 5/1986  
KR 202013003242 6/2013

(72) Inventors: **Stuart Mintz**, Glenview, IL (US);  
**David Buchanan**, Barrington, IL (US);  
**Robert Lockwood**, Libertyville, IL (US)

OTHER PUBLICATIONS

3M Health Care; 3M Surgical Clipper Professional 9681 promotional brochure; p. 1-4; 2013; St. Paul, MN, USA.

(Continued)

(73) Assignee: **Medline Industries, Inc.**, Northfield, IL (US)

*Primary Examiner* — Jennifer Rivard

(74) *Attorney, Agent, or Firm* — Fitch, Even, Tabin & Flannery LLP

(\*\*) Term: **15 Years**

(57) **CLAIM**

(21) Appl. No.: **29/567,683**

We claim the ornamental design for a clipper head, as shown and described.

(22) Filed: **Jun. 10, 2016**

**DESCRIPTION**

(51) **LOC (10) Cl.** ..... **28-03**

(52) **U.S. Cl.**  
USPC ..... **D28/54**

(58) **Field of Classification Search**  
USPC ..... D28/49-54  
CPC ..... B26B 19/00-19/12; B26B 19/20-19/36;  
B26B 19/38-19/3886  
See application file for complete search history.

FIG. 1 is a perspective view showing a first embodiment of a clipper head in accordance with our new design; FIG. 2 is a top plan view thereof; FIG. 3 is a right side elevational view thereof; FIG. 4 is a front elevational view thereof; FIG. 5 is a left side elevational view thereof; FIG. 6 is a rear elevational view thereof; FIG. 7 is a bottom plan view thereof; FIG. 8 is a perspective view showing a second embodiment of a clipper head in accordance with our new design; FIG. 9 is a top plan view thereof; FIG. 10 is a right side elevational view thereof, the left side elevational view being a mirror image thereof; FIG. 11 is a front elevational view thereof; FIG. 12 is a rear elevational view thereof; and, FIG. 13 is a bottom plan view thereof.

The broken line disclosure of the clipper illustrates the environment. The remaining broken lines illustrate portions of the clipper head. None of the broken lines forms part of the claimed design.

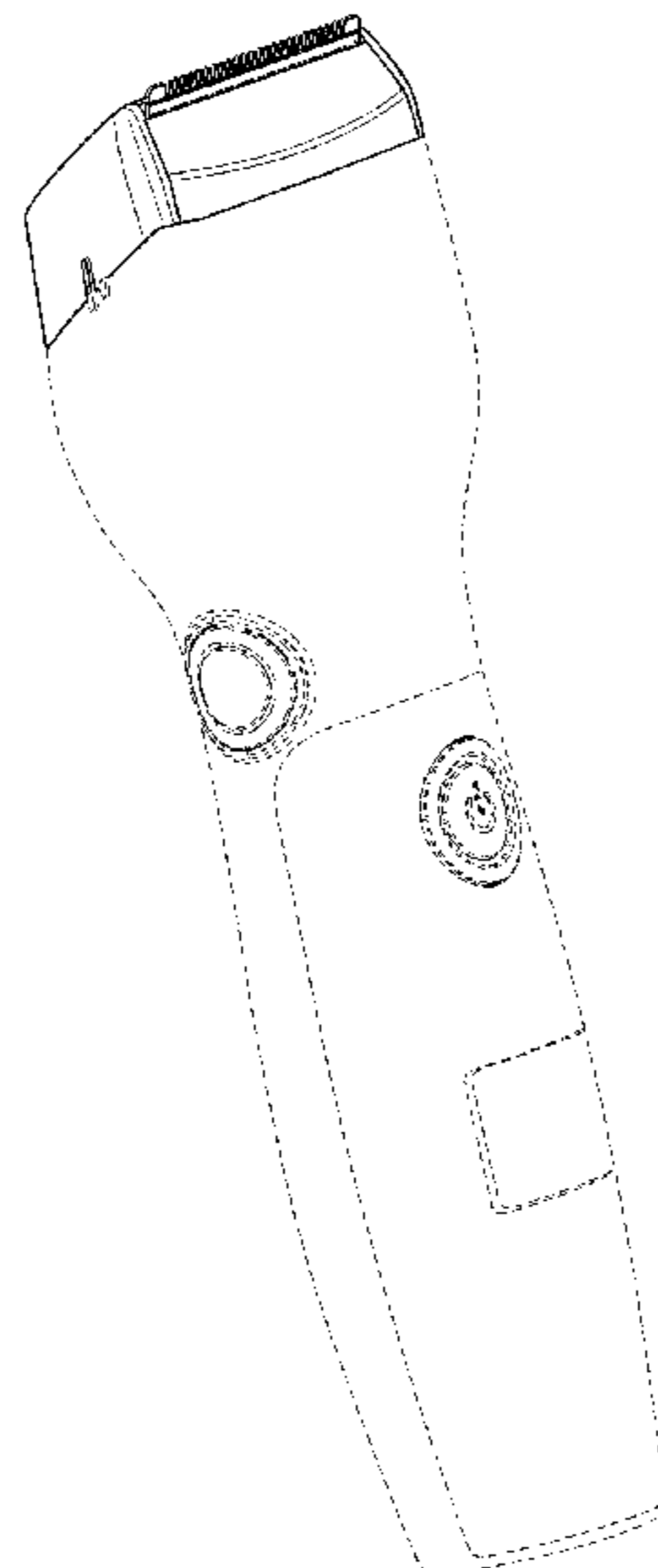
(56) **References Cited**

U.S. PATENT DOCUMENTS

2,791,665 A 5/1957 Baumbach  
3,069,772 A 12/1962 Roessing  
3,793,724 A 2/1974 Messinger  
4,032,738 A 6/1977 Esty  
4,112,271 A 9/1978 Marchetti  
4,121,070 A 10/1978 Silbernagel  
4,356,367 A 10/1982 Moldenhauer  
4,490,905 A 1/1985 Riemersma  
4,700,476 A 10/1987 Locke  
4,719,698 A 1/1988 Ninomiya

(Continued)

**1 Claim, 4 Drawing Sheets**



(56)

References Cited

U.S. PATENT DOCUMENTS

4,742,199 A	5/1988	Andis	6,749,618 B2	6/2004	Levaughn	
4,825,546 A	5/1989	Araki	6,763,591 B2	7/2004	VanDerMeer	
4,983,914 A	1/1991	Baranski	6,807,736 B2	10/2004	Langley	
5,054,199 A	10/1991	Ogawa	6,862,810 B2	3/2005	Braun	
5,068,966 A	12/1991	Wahl	6,886,255 B2	5/2005	Freas	
5,108,409 A	4/1992	Demeester	6,901,664 B2	6/2005	Melton	
5,111,580 A	5/1992	Bosscha	6,915,576 B2	7/2005	Brzezinski	
5,159,256 A	10/1992	Mattinger	6,938,867 B2	9/2005	Dirks	
5,211,648 A	5/1993	Demeester	6,966,116 B2	11/2005	Peter	
5,251,375 A	10/1993	Crucq	6,973,855 B2	12/2005	Yanosaka	
D342,345 S	12/1993	Yonezawa	6,986,206 B2	1/2006	McCambridge	
5,306,285 A	4/1994	Miller	7,001,410 B2	2/2006	Fisher	
5,325,589 A	7/1994	Kubo	7,004,785 B2	2/2006	Melton	
5,367,599 A	11/1994	Okada	D519,681 S	4/2006	Liao	
5,413,358 A	5/1995	Austin, Jr.	7,080,458 B2	7/2006	Andis	
5,484,434 A	1/1996	Cartmell	7,102,328 B2	9/2006	Long	
5,512,721 A	4/1996	Young	7,114,257 B1	10/2006	Ortega	
5,544,415 A	8/1996	Huang	D535,786 S *	1/2007	Gianninin .....	D28/53
5,550,452 A	8/1996	Shirai	7,188,422 B2	3/2007	McCambridge	
5,557,850 A	9/1996	Mun	7,234,242 B2	6/2007	Yao	
5,579,581 A	12/1996	Melton	7,235,936 B2	6/2007	Oba	
5,600,890 A	2/1997	Leitner	7,239,053 B2	7/2007	Brill	
5,606,799 A	3/1997	Melton	7,249,416 B2	7/2007	Yamaguchi	
5,715,601 A	2/1998	Nakatani	7,263,388 B2	8/2007	Yamamoto	
5,801,637 A	9/1998	Lomholt	7,281,461 B2	10/2007	McCambridge	
5,802,932 A	9/1998	Vankov	7,306,483 B2	12/2007	Phillips	
5,835,455 A	11/1998	Hanson	7,340,839 B2	3/2008	Oh	
5,920,988 A	7/1999	Momose	7,346,990 B2	3/2008	Dirks	
5,925,002 A	7/1999	Wollman	D566,898 S *	4/2008	Hara .....	D28/54
5,933,964 A	8/1999	Altamore	D567,443 S *	4/2008	Giannini .....	D28/53
5,937,526 A	8/1999	Wahl	D567,444 S *	4/2008	Giannini .....	D28/54
5,970,616 A	10/1999	Wahl	D567,445 S *	4/2008	Giannini .....	D28/54
5,973,497 A	10/1999	Bergk	D567,446 S *	4/2008	Hara .....	D28/54
5,994,855 A	11/1999	Lundell	7,350,314 B2	4/2008	McCambridge	
6,067,714 A	5/2000	Taylor	7,356,934 B2	4/2008	McCambridge	
6,073,348 A	6/2000	Shiba	7,360,269 B2	4/2008	Cobabe	
6,073,350 A	6/2000	Elston	D570,544 S	6/2008	Hara	
6,079,103 A	6/2000	Melton	7,419,494 B2	9/2008	Hashiguchi	
6,082,005 A	7/2000	Tezuka	D583,098 S *	12/2008	Giannini .....	D28/54
6,098,288 A	8/2000	Miyagawa	7,509,926 B2	3/2009	Porter	
6,112,414 A	9/2000	Andis	7,536,789 B2	5/2009	Michel	
6,125,542 A	10/2000	Somma	7,536,790 B2	5/2009	Ebenhoch	
6,139,562 A	10/2000	Mauze	7,540,089 B2	6/2009	Oswald	
6,223,438 B1	5/2001	Parsonage	7,581,319 B1	9/2009	Little	
6,233,535 B1	5/2001	Petretty	D602,636 S *	10/2009	Lother .....	D28/54
6,263,576 B1	7/2001	Drapak	7,596,827 B1	10/2009	Puneet	
6,276,060 B1	8/2001	Faulstich	D604,907 S	11/2009	Emminger	
6,277,129 B1	8/2001	Poran	7,621,394 B2	11/2009	McCambridge	
6,314,648 B1	11/2001	Hillebrandt	D606,259 S	12/2009	Emminger	
6,322,569 B1	11/2001	Sueyoshi	7,624,506 B2	12/2009	Melton	
6,338,265 B1	1/2002	Grigg	7,631,673 B2	12/2009	Salovaara	
6,354,005 B1	3/2002	Bosch	7,637,014 B2	12/2009	Schnak	
6,367,533 B1	4/2002	Pitzen	7,703,210 B2	4/2010	Lau	
6,369,341 B2	4/2002	Katsumi	7,733,058 B2	6/2010	Takaoka	
6,421,922 B2	7/2002	Beutel	7,748,123 B2	7/2010	Bednar	
6,427,337 B1	8/2002	Burks	7,757,404 B2	7/2010	Ouchi	
6,437,267 B1	8/2002	Imai	7,762,001 B2	7/2010	Morisugi	
D462,482 S	9/2002	Rizzulto, Jr.	D624,244 S *	9/2010	Giannini .....	D28/54
6,461,352 B2	10/2002	Morgan	7,804,034 B2	9/2010	Herzog	
6,490,798 B2	12/2002	Morisugi	7,810,243 B2	10/2010	Schnak	
6,490,799 B2	12/2002	Eich	7,832,104 B2	11/2010	Yamasaki	
6,500,169 B1	12/2002	Deng	7,841,091 B2	11/2010	Melton	
6,502,312 B2	1/2003	Beutel	7,845,132 B2	12/2010	Morton	
6,536,116 B2	3/2003	Fung	7,852,371 B2	12/2010	Konstorum	
6,568,083 B1	5/2003	Taniguchi	7,872,445 B2	1/2011	Hui	
6,604,287 B2	8/2003	Melton	7,877,880 B2	2/2011	Royle	
6,608,270 B2	8/2003	Donofrio	7,913,399 B2	3/2011	Lau	
6,612,034 B2	9/2003	Damstra	7,918,029 B2	4/2011	Melton	
6,658,740 B2	12/2003	Habben	7,946,253 B2	5/2011	Smith	
6,665,938 B2	12/2003	McCambridge	7,952,322 B2	5/2011	Partovi	
6,666,875 B1	12/2003	Sakurai	7,954,243 B2	6/2011	DeWit	
6,669,704 B2	12/2003	Inoue	8,024,862 B2	9/2011	Morisugi	
6,684,507 B2	2/2004	Lau	8,051,571 B2	11/2011	Andis	
6,684,511 B2	2/2004	McCambridge	8,065,802 B2	11/2011	Oglesby	
6,739,053 B2	5/2004	McCambridge	8,067,708 B2	11/2011	Herzog	
			8,104,178 B2	1/2012	Worgull	
			8,109,001 B2	2/2012	Royle	
			8,113,347 B2	2/2012	Kohring	
			8,117,753 B2	2/2012	Gilder	

(56)

References Cited

U.S. PATENT DOCUMENTS

8,122,606 B2	2/2012	Hart	D711,045 S *	8/2014	Palmer	D28/54
8,138,725 B2	3/2012	Heeringa	D711,593 S *	8/2014	Palmer	D28/54
8,141,253 B2	3/2012	Royle	D711,594 S *	8/2014	Palmer	D28/54
8,146,254 B2	4/2012	Morisugi	8,793,880 B2	8/2014	Taub	
8,151,468 B2	4/2012	Schulz	8,826,543 B2	9/2014	Szczepanowski	
8,176,637 B2	5/2012	Fukutani	8,832,944 B2	9/2014	Liao	
8,186,063 B2	5/2012	Clarke	8,860,152 B2	10/2014	Cherian	
8,186,064 B2	5/2012	Pragt	8,869,809 B2	10/2014	Johnson	
8,191,262 B2	6/2012	Palmer	D717,001 S	11/2014	Uematsu	
8,205,343 B2	6/2012	Winter	8,887,369 B2	11/2014	Burrowes	
8,205,344 B2	6/2012	Stevens	8,889,225 B2	11/2014	Zhuk	
8,209,868 B2	7/2012	Schnak	8,907,238 B2	12/2014	Schnitzler	
8,225,510 B2	7/2012	Peterson	D724,271 S *	3/2015	Giannini	D28/54
8,230,600 B2	7/2012	Hart	D730,580 S	5/2015	Palmer	
8,234,789 B2	8/2012	Avens	D730,824 S	6/2015	Palmer	
8,236,214 B2	8/2012	Kwiecien	D733,357 S *	6/2015	Palmer	D28/54
8,250,763 B2	8/2012	Diehl	D733,358 S *	6/2015	Palmer	D28/54
8,273,205 B2	9/2012	Murgida	D733,964 S *	7/2015	Palmer	D28/54
8,281,491 B2	10/2012	Walker	D734,543 S *	7/2015	Mintz	D28/53
8,294,052 B2	10/2012	Herzog	D734,544 S *	7/2015	Mintz	D28/53
8,302,316 B2	11/2012	Diehl	D735,943 S *	8/2015	Mintz	D28/54
8,306,753 B2	11/2012	Cowley	D736,467 S *	8/2015	Lockwood	D28/54
8,307,488 B2	11/2012	Pfenniger	D748,860 S *	2/2016	Lockwood	D28/53
8,327,545 B2	12/2012	Peterson	D748,861 S *	2/2016	Mintz	D28/53
8,327,546 B2	12/2012	Tucker	D750,840 S *	3/2016	Mintz	D28/53
8,341,846 B1	1/2013	Holmes	D752,810 S *	3/2016	Mintz	D28/53
8,347,512 B2	1/2013	Masek	D766,507 S *	9/2016	Lockwood	D28/54
8,359,752 B2	1/2013	Bridges	D767,823 S *	9/2016	Mintz	D28/53
8,373,310 B2	2/2013	Baarman	D770,681 S *	11/2016	Mintz	D28/53
8,410,753 B2	4/2013	Opolka	D770,682 S *	11/2016	Mintz	D28/54
8,438,736 B2	5/2013	Keene	2002/0162226 A1	11/2002	Abraham	
8,448,338 B2	5/2013	Sherman	2003/0131480 A1	7/2003	Leung	
8,458,909 B2	6/2013	Hawes	2003/0145469 A1	8/2003	Ogawa	
8,458,914 B2	6/2013	Voorhorst	2005/0011533 A1	1/2005	Ruben	
8,474,144 B2	7/2013	Royle	2005/0028371 A1	2/2005	Kakimoto	
8,479,400 B2	7/2013	Fukutani	2006/0042096 A1	3/2006	Liao	
8,484,793 B2	7/2013	Nanda	2006/0156549 A1	7/2006	O	
8,484,849 B2	7/2013	Morisugi	2006/0184063 A1	8/2006	Miller	
8,484,850 B2	7/2013	Morisugi	2006/0191888 A1	8/2006	Carlucci	
8,499,462 B2	8/2013	Masek	2006/0207104 A1	9/2006	Alvite	
8,510,956 B2	8/2013	Rehbein	2006/0230621 A1	10/2006	Liao	
8,510,958 B2	8/2013	Hart	2007/0044604 A1	3/2007	Andis	
8,512,371 B2	8/2013	Kerr	2007/0050996 A1	3/2007	Schnak	
8,522,972 B2	9/2013	Greene	2007/0144938 A1	6/2007	Buccinna	
8,528,213 B2	9/2013	Szczepanowski	2007/0209211 A1	9/2007	Pragt	
8,533,959 B2	9/2013	Davis	2007/0213742 A1	9/2007	Callahan	
8,533,961 B2	9/2013	Nicoll	2007/0214654 A1	9/2007	Chen	
8,544,177 B2	10/2013	Rawle	2007/0289138 A1	12/2007	Worgull	
8,555,900 B2	10/2013	Nicoll	2007/0289144 A1	12/2007	Morisugi	
8,561,300 B2	10/2013	Rehbein	2008/0005906 A1	1/2008	Franke	
8,561,301 B2	10/2013	Schnak	2008/0047145 A1*	2/2008	Dietzel	B26B 19/20 30/34.05
8,567,068 B2	10/2013	Luxton	2008/0052915 A1	3/2008	Fukutani	
8,584,344 B2	11/2013	Peterson	2008/0109973 A1	5/2008	Farrell	
8,607,667 B2	12/2013	Li	2008/0134516 A1	6/2008	Morisugi	
8,628,821 B2	1/2014	Wang	2008/0155834 A1	7/2008	Li	
8,640,342 B2	2/2014	Murgida	2008/0196258 A1	8/2008	Kraus	
8,642,122 B2	2/2014	Wang	2008/0209741 A1	9/2008	Chen	
8,650,758 B2	2/2014	Wain	2008/0216324 A1	9/2008	Tauer	
8,650,763 B2	2/2014	Howell	2008/0235956 A1	10/2008	Molis	
8,661,689 B2	3/2014	Fathallah	2008/0250645 A1	10/2008	Tringali	
8,667,692 B2	3/2014	Kraus	2008/0263871 A1	10/2008	Liao	
8,681,008 B2	3/2014	Jimenez	2008/0282550 A1	11/2008	Piwaron	
8,683,701 B1	4/2014	Loftin	2008/0295340 A1	12/2008	Carlucci	
8,713,802 B2	5/2014	Fukutani	2008/0301948 A1	12/2008	Kostner	
8,726,519 B2	5/2014	Clarke	2009/0056137 A1	3/2009	Royle	
8,732,955 B2	5/2014	Howell	2009/0106981 A1	4/2009	Palmer	
8,744,192 B2	6/2014	Ortins	2009/0119928 A1	5/2009	Lee	
8,745,877 B2	6/2014	Szczepanowski	2009/0119932 A1	5/2009	Lau	
8,745,882 B2	6/2014	Murgida	2009/0158596 A1	6/2009	Ouchi	
8,745,883 B2	6/2014	Murgida	2009/0293698 A1	12/2009	Tran	
8,763,256 B2	7/2014	Gratsias	2009/0307859 A1	12/2009	Mottram	
8,769,825 B2	7/2014	Howell	2010/0057100 A1	3/2010	Zeevi	
8,776,378 B2	7/2014	Tomassetti	2010/0083508 A1	4/2010	Cheng	
8,782,903 B2	7/2014	Clarke	2010/0085017 A1	4/2010	Heeringa	
D711,044 S	8/2014	Palmer	2010/0194337 A1	8/2010	Opolka	
			2010/0217263 A1	8/2010	Tukulj-Popovic	
			2010/0299927 A1	12/2010	Fischer	
			2010/0299930 A1	12/2010	Voorhorst	

(56)

**References Cited**

U.S. PATENT DOCUMENTS

2011/0006611 A1 1/2011 Baarman  
 2011/0010942 A1 1/2011 Lau  
 2011/0010943 A1 1/2011 Izumi  
 2011/0016727 A1 1/2011 Fuerst  
 2011/0036058 A1 2/2011 Howdeshell  
 2011/0061241 A1 3/2011 Jian  
 2011/0067187 A1 3/2011 Pegross  
 2011/0067241 A1 3/2011 Ogawa  
 2011/0067242 A1 3/2011 Ogawa  
 2011/0082494 A1 4/2011 Kerr  
 2011/0119930 A1 5/2011 Scheunert  
 2011/0131790 A1 6/2011 Chien  
 2011/0167639 A1 7/2011 Lau  
 2011/0196404 A1 8/2011 Dietz  
 2012/0000756 A1 1/2012 Schnitzler  
 2012/0186029 A1 7/2012 D'Alleva  
 2012/0222310 A1 9/2012 Tomassetti  
 2012/0233866 A1 9/2012 Kammer  
 2013/0219724 A1 8/2013 Werner

2013/0250122 A1 9/2013 Binder  
 2014/0042981 A1 2/2014 Kaizo  
 2014/0059866 A1\* 3/2014 Ogawa ..... B26B 19/04  
 30/208  
 2014/0069786 A1 3/2014 Werner  
 2014/0137883 A1 5/2014 Rothschild  
 2015/0020658 A1 1/2015 Eljaouhari  
 2015/0246454 A1 9/2015 Mintz  
 2016/0375595 A1\* 12/2016 Mintz ..... B26B 19/3873  
 30/123

OTHER PUBLICATIONS

International Search Report and Written Opinion from PCT/  
 US2015/017643 dated Jun. 10, 2015.  
 Koninklijke Philips N.V.; Beardtrimmer series 7000 promotional  
 brochure; p. 1-3; Nov. 8, 2013; USA.  
 Medline Industries, Inc.; Medline Surgical Clipper promotional  
 brochure; p. 1-4; 2013; Mundelein, IL, USA.

\* cited by examiner

FIG. 1

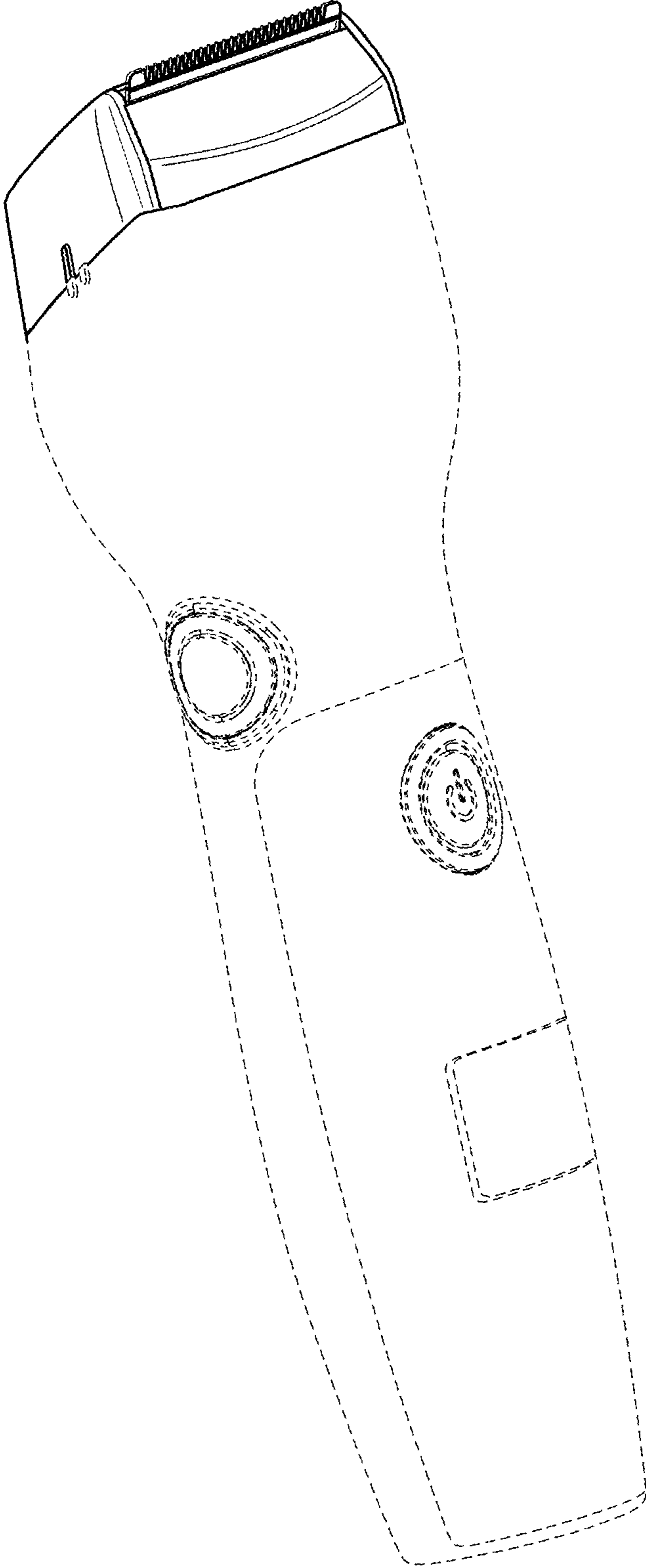


FIG. 2

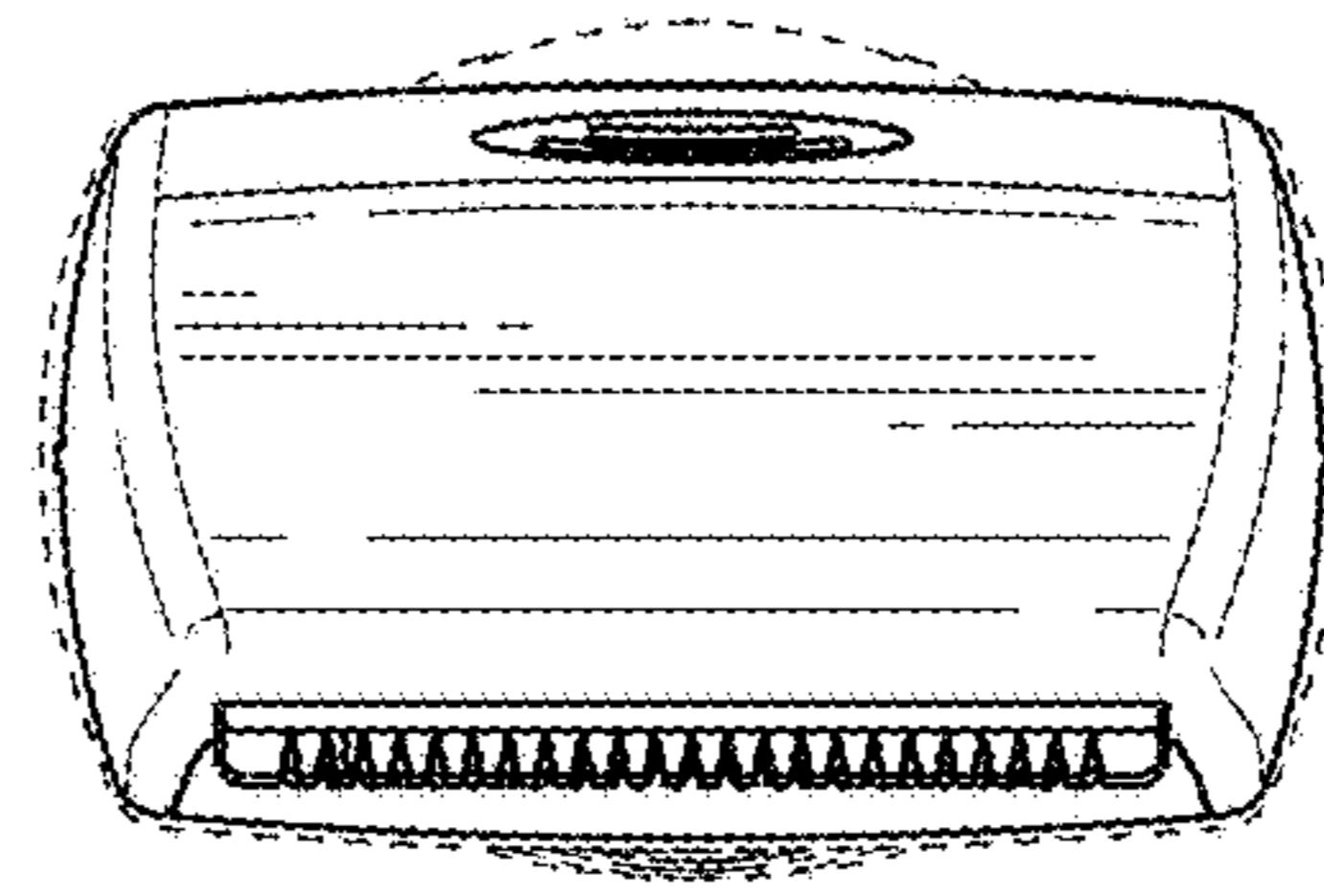


FIG. 3

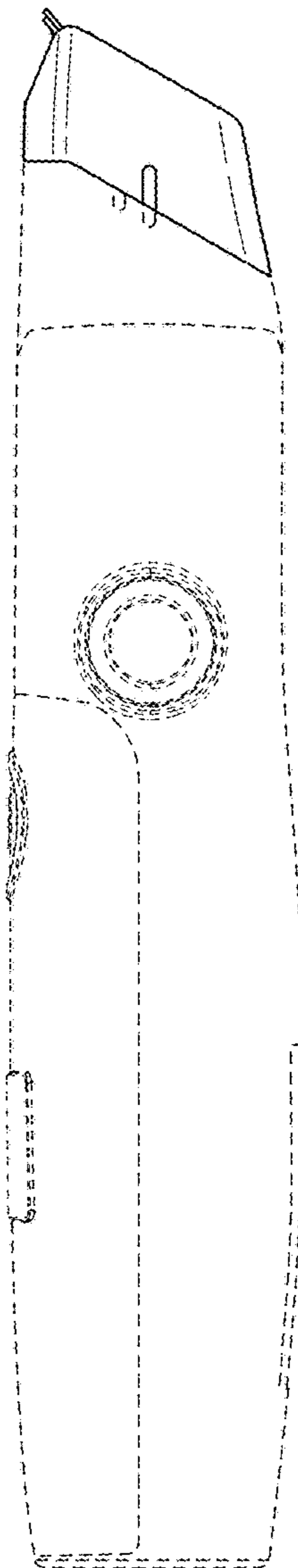
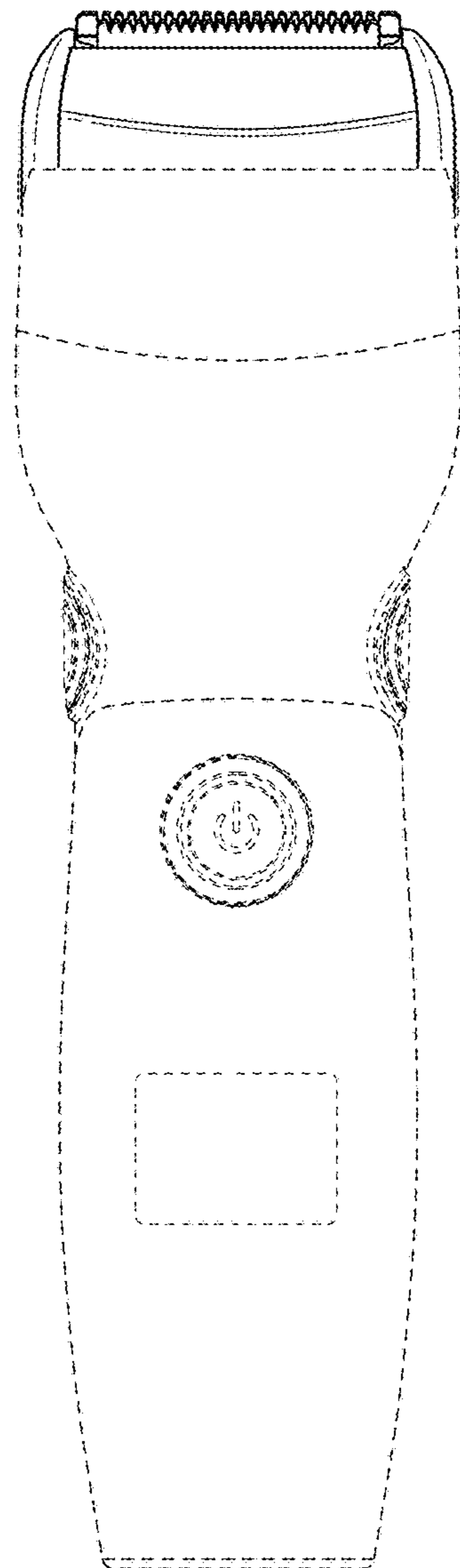
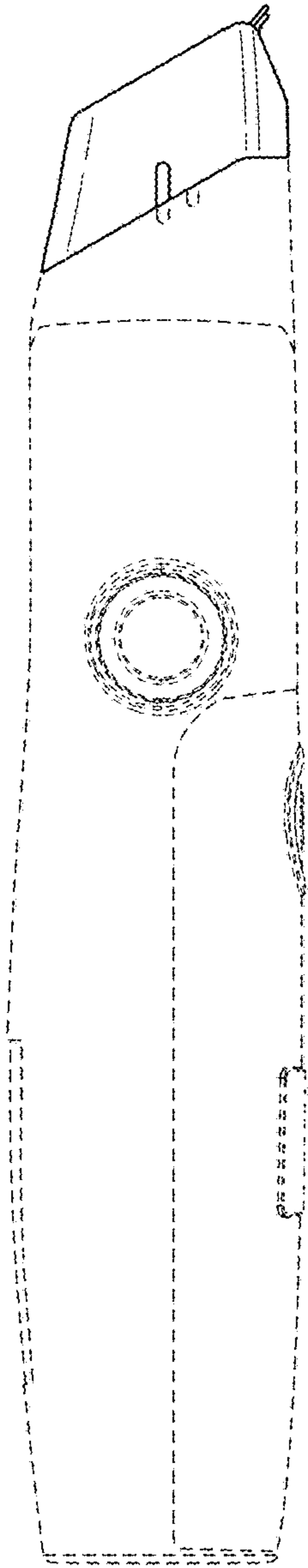


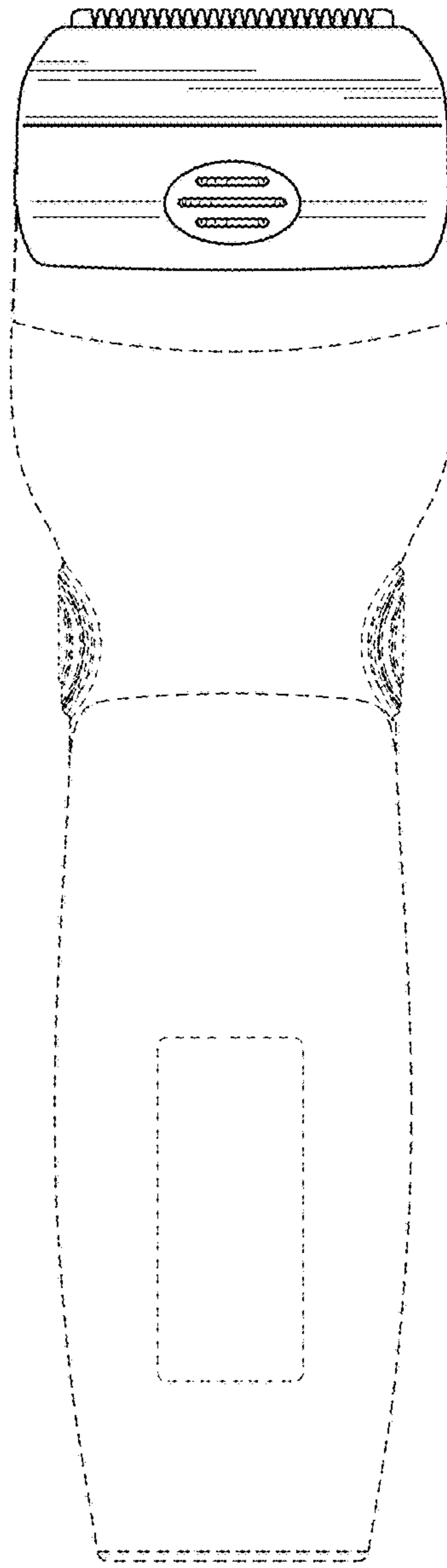
FIG. 4



**FIG. 5**



**FIG. 6**



**FIG. 7**

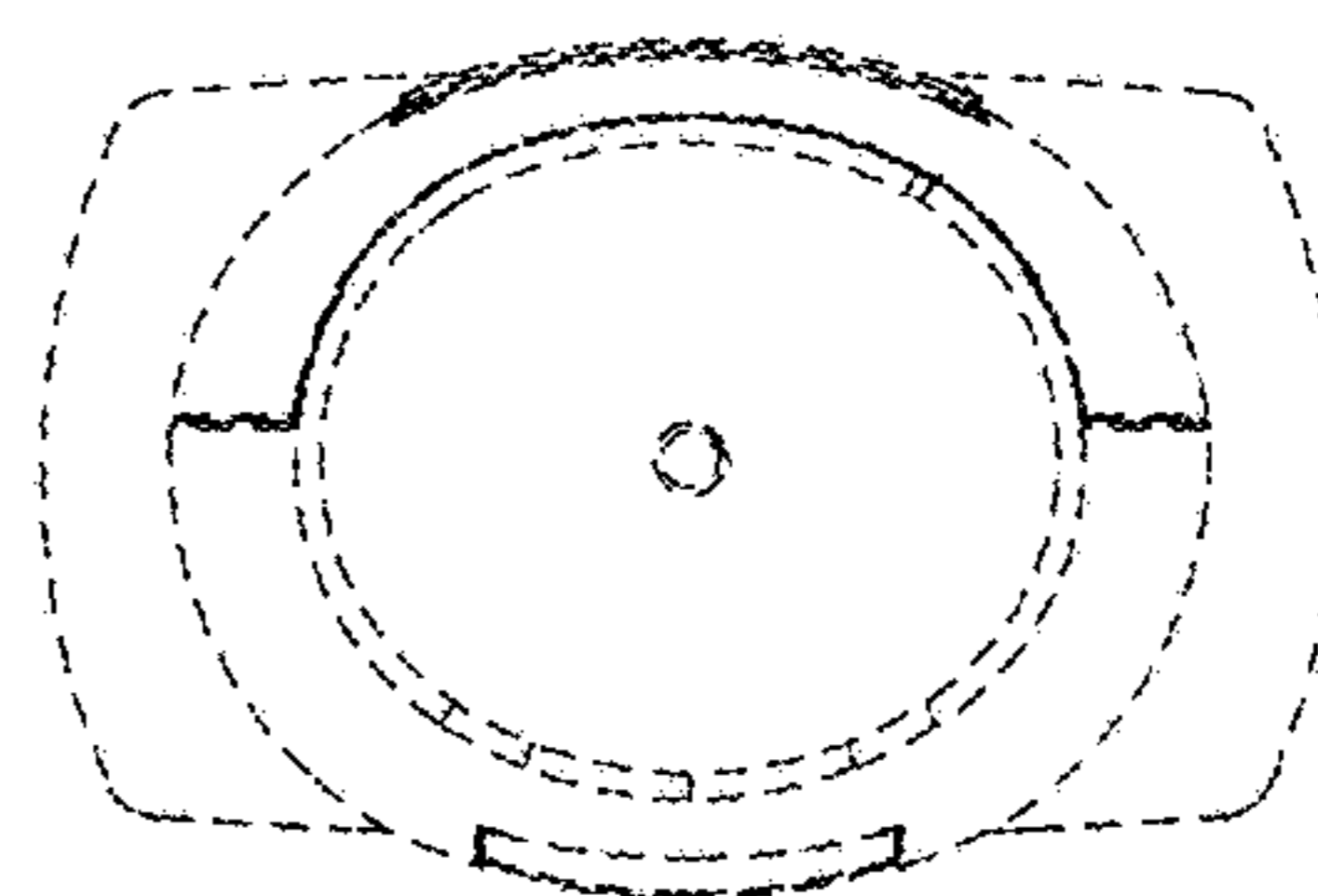


FIG. 8

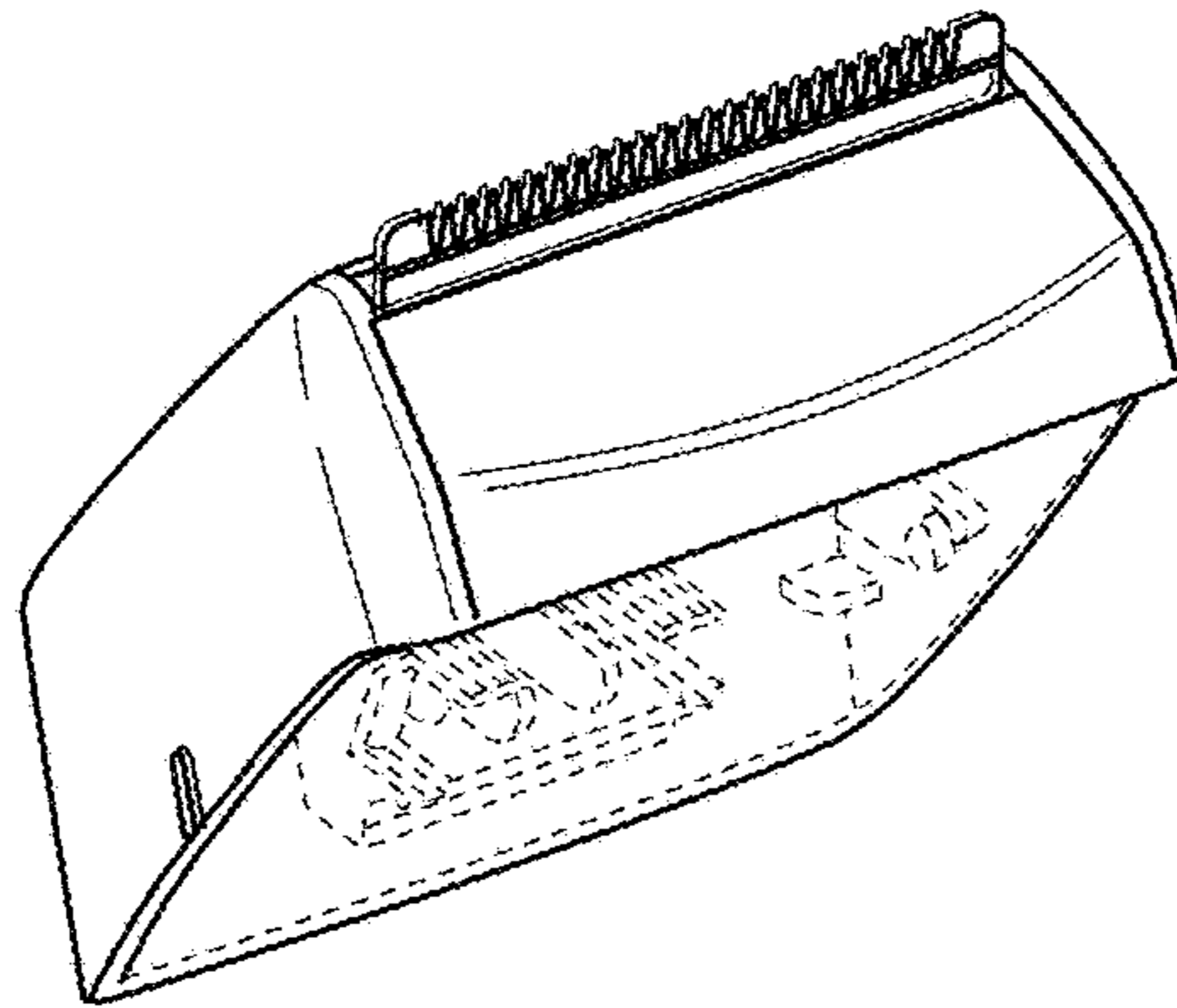


FIG. 9

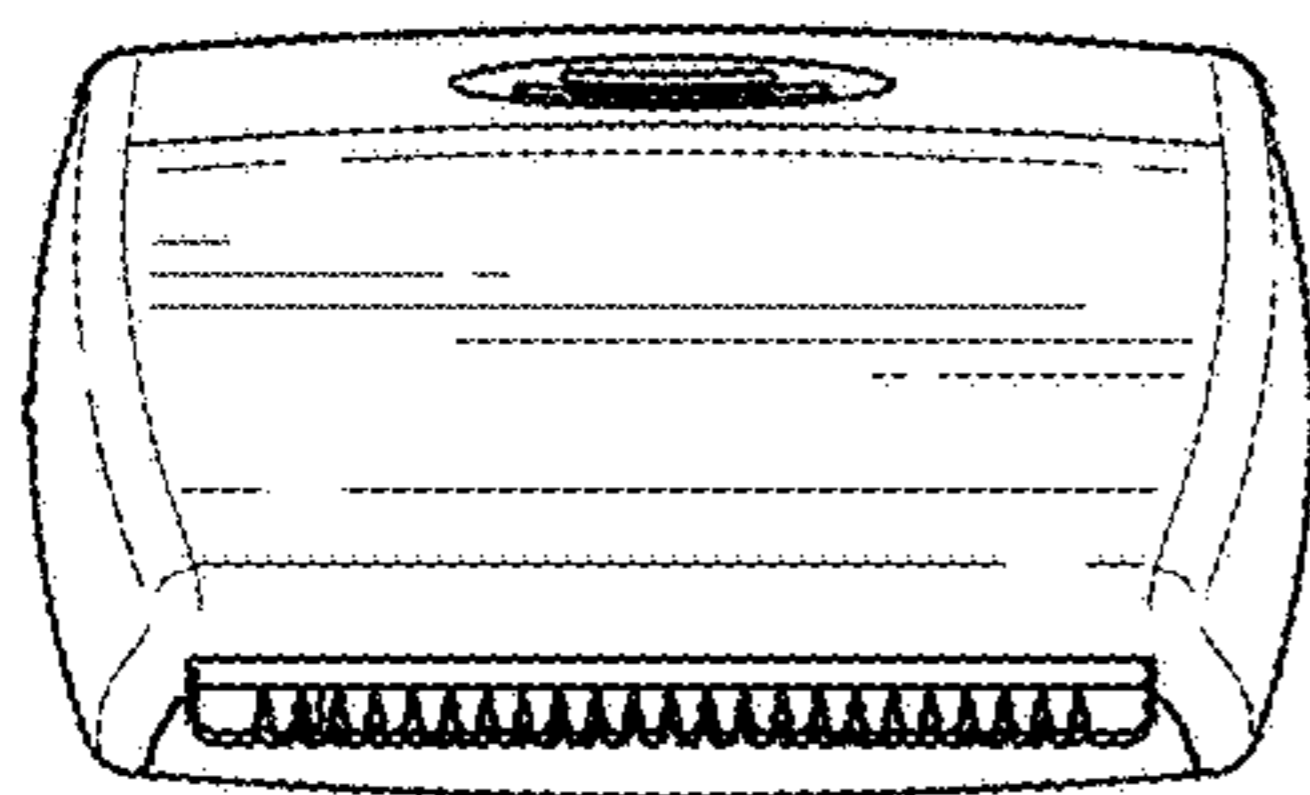


FIG. 10

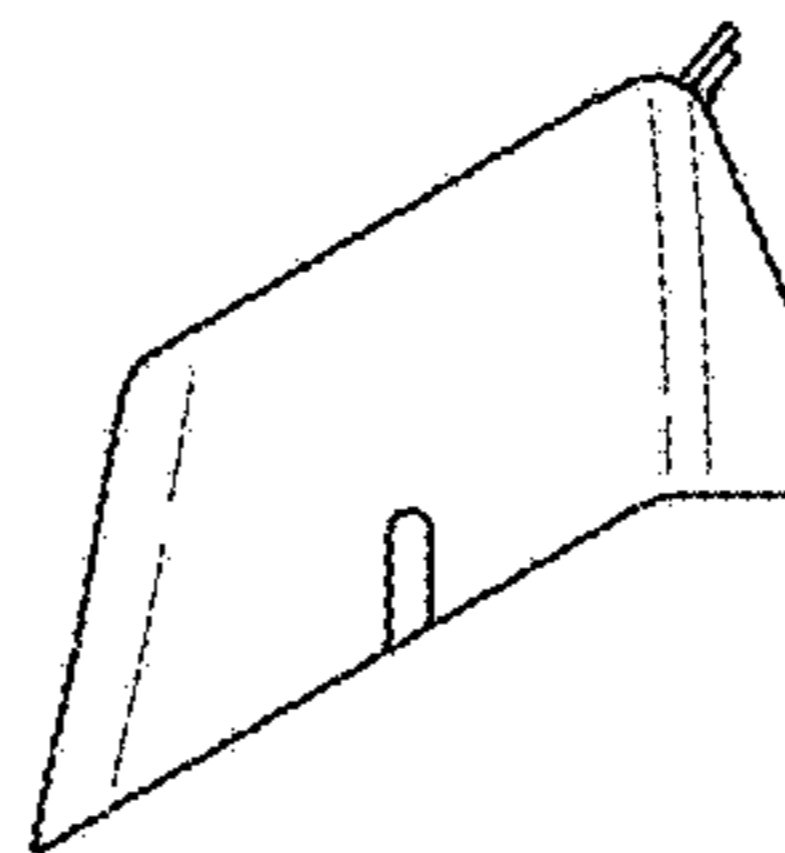


FIG. 11

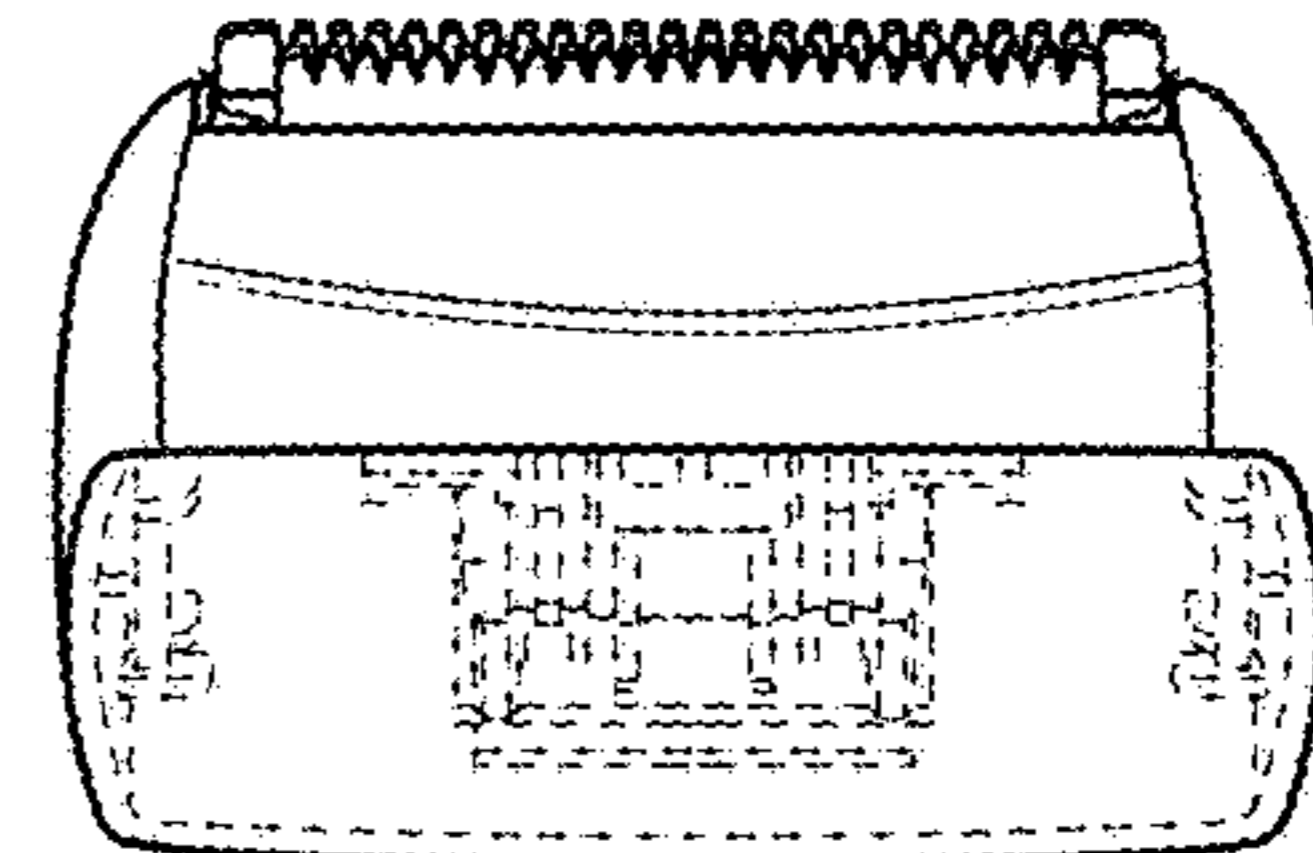


FIG. 12

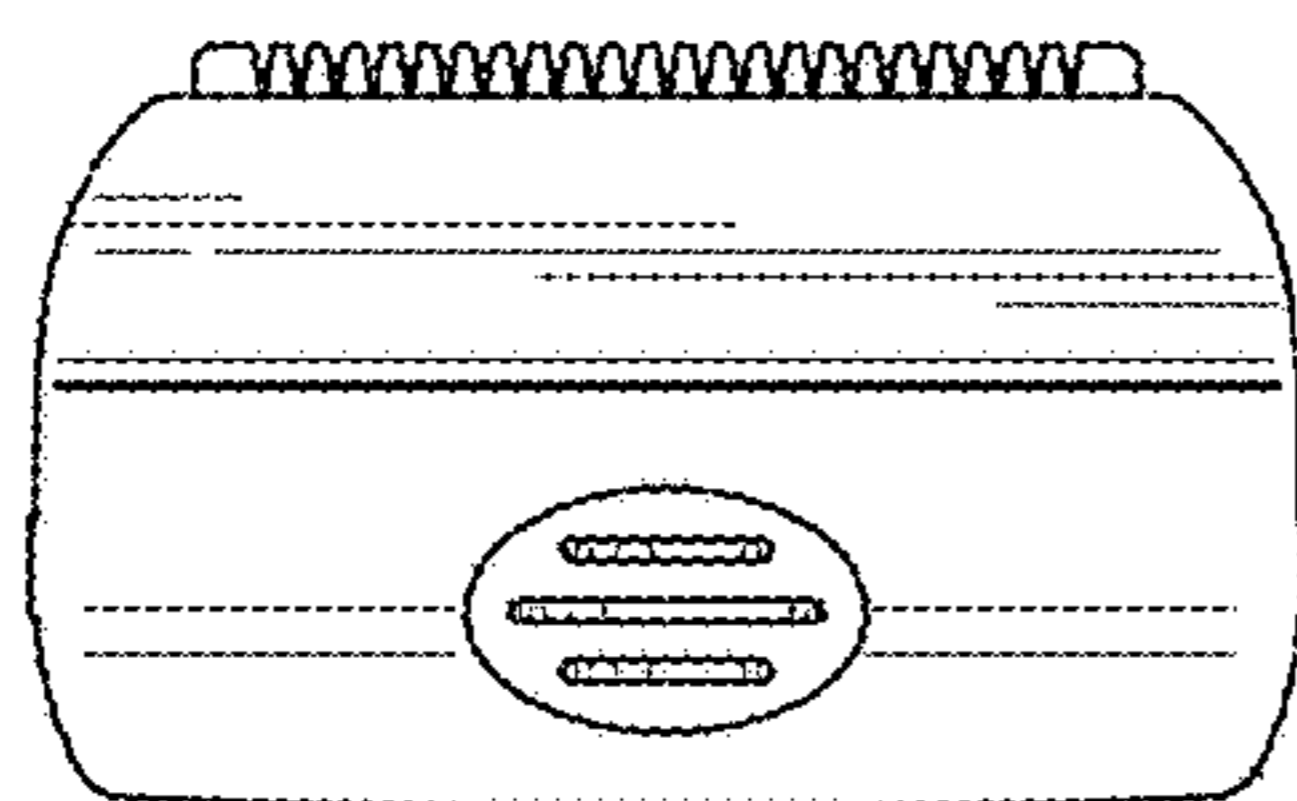


FIG. 13

