



US00D802215S

(12) **United States Design Patent** (10) **Patent No.:** **US D802,215 S**
Mintz et al. (45) **Date of Patent:** **** Nov. 7, 2017**

(54) **CLIPPER HEAD**

(71) Applicant: **Medline Industries, Inc.**, Northfield, IL (US)
(72) Inventors: **Stuart Mintz**, Glenview, IL (US);
David Buchanan, Barrington, IL (US);
Robert Lockwood, Libertyville, IL (US)
(73) Assignee: **Medline Industries, Inc.**, Northfield, IL (US)

(**) Term: **15 Years**

(21) Appl. No.: **29/567,681**

(22) Filed: **Jun. 10, 2016**

(51) **LOC (10) Cl.** **28-03**

(52) **U.S. Cl.**
USPC **D28/54**

(58) **Field of Classification Search**
USPC D28/49-54
See application file for complete search history.

(56) **References Cited**

U.S. PATENT DOCUMENTS

2,791,665	A	5/1957	Baumbach
3,069,772	A	12/1962	Roessing
3,793,724	A	2/1974	Messinger
4,032,738	A	6/1977	Esty
4,112,271	A	9/1978	Marchetti
4,121,070	A	10/1978	Silbernagel
4,356,367	A	10/1982	Moldenhauer
4,490,905	A	1/1985	Riemersma
4,700,476	A	10/1987	Locke
4,719,698	A	1/1988	Ninomiya

(Continued)

FOREIGN PATENT DOCUMENTS

CN	201471468	5/2010
EP	0181288	5/1986
KR	202013003242	6/2013

OTHER PUBLICATIONS

3M Health Care; 3M Surgical Clipper Professional 9681 promotional brochure; p. 1-4; 2013; St. Paul, MN, USA.

(Continued)

Primary Examiner — Jennifer Rivard
(74) *Attorney, Agent, or Firm* — Fitch, Even, Tabin & Flannery LLP

(57) **CLAIM**

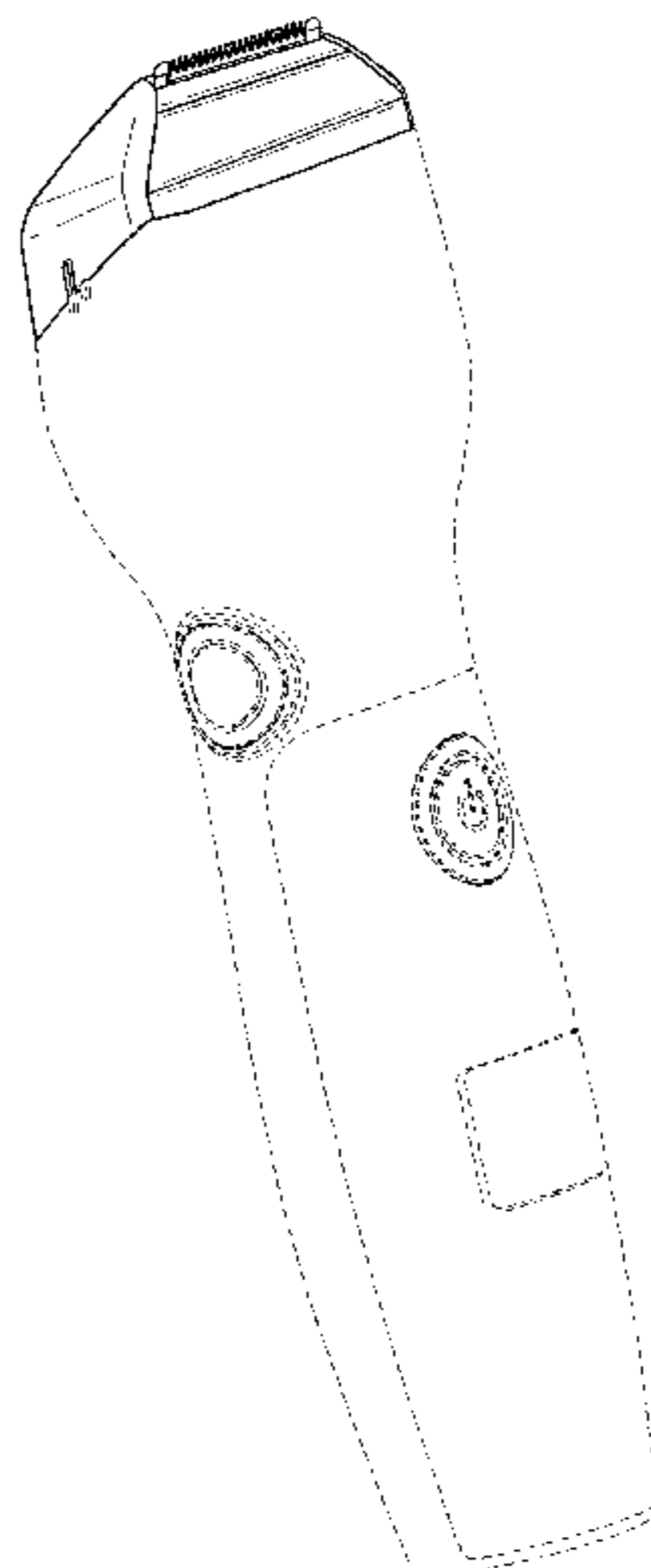
We claim the ornamental design for a clipper head, as shown and described.

DESCRIPTION

FIG. 1 is a perspective view showing a first embodiment of a clipper head in accordance with our new design; FIG. 2 is a top plan view thereof; FIG. 3 is a right side elevational view thereof; FIG. 4 is a front elevational view thereof; FIG. 5 is a left side elevational view thereof; FIG. 6 is a rear elevational view thereof; FIG. 7 is a bottom plan view thereof; FIG. 8 is a perspective view showing a second embodiment of a clipper head in accordance with our new design; FIG. 9 is a top plan view thereof; FIG. 10 is a right side elevational view thereof, the left side elevational view being a mirror image thereof; FIG. 11 is a front elevational view thereof; FIG. 12 is a rear elevational view thereof; and, FIG. 13 is a bottom plan view thereof.

The broken line disclosure of the clipper illustrates the environment. The remaining broken lines illustrate portions of the clipper head. None of the broken lines forms part of the claimed design.

1 Claim, 4 Drawing Sheets



(56)

References Cited

U.S. PATENT DOCUMENTS

4,742,199 A	5/1988	Andis	6,749,618 B2	6/2004	Levaughn
4,825,546 A	5/1989	Araki	6,763,591 B2	7/2004	VanDerMeer
4,983,914 A	1/1991	Baranski	6,807,736 B2	10/2004	Langley
5,054,199 A	10/1991	Ogawa	6,862,810 B2	3/2005	Braun
5,068,966 A	12/1991	Wahl	6,886,255 B2	5/2005	Freas
5,108,409 A	4/1992	Demeester	6,901,664 B2	6/2005	Melton
5,111,580 A	5/1992	Bosscha	6,915,576 B2	7/2005	Brzezinski
5,159,256 A	10/1992	Mattinger	6,938,867 B2	9/2005	Dirks
5,211,648 A	5/1993	Demeester	6,966,116 B2	11/2005	Peter
5,251,375 A	10/1993	Crucq	6,973,855 B2	12/2005	Yanosaka
D342,345 S	12/1993	Yonezawa	6,986,206 B2	1/2006	McCambridge
5,306,285 A	4/1994	Miller	7,001,410 B2	2/2006	Fisher
5,325,589 A	7/1994	Kubo	7,004,785 B2	2/2006	Melton
5,367,599 A	11/1994	Okada	D519,681 S	4/2006	Liao
5,413,358 A	5/1995	Austin, Jr.	7,080,458 B2	7/2006	Andis
5,484,434 A	1/1996	Cartmell	7,102,328 B2	9/2006	Long
5,512,721 A	4/1996	Young	7,114,257 B1	10/2006	Ortega
5,544,415 A	8/1996	Huang	D535,786 S *	1/2007	Gianninin D28/53
5,550,452 A	8/1996	Shirai	7,188,422 B2	3/2007	McCambridge
5,557,850 A	9/1996	Mun	7,234,242 B2	6/2007	Yao
5,579,581 A	12/1996	Melton	7,235,936 B2	6/2007	Oba
5,600,890 A	2/1997	Leitner	7,239,053 B2	7/2007	Brill
5,606,799 A	3/1997	Melton	7,249,416 B2	7/2007	Yamaguchi
5,715,601 A	2/1998	Nakatani	7,263,388 B2	8/2007	Yamamoto
5,801,637 A	9/1998	Lomholt	7,281,461 B2	10/2007	McCambridge
5,802,932 A	9/1998	Vankov	7,306,483 B2	12/2007	Phillips
5,835,455 A	11/1998	Hanson	7,340,839 B2	3/2008	Oh
5,920,988 A	7/1999	Momose	7,346,990 B2	3/2008	Dirks
5,925,002 A	7/1999	Wollman	D566,898 S *	4/2008	Hara D28/54
5,933,964 A	8/1999	Altamore	D567,443 S *	4/2008	Giannini D28/53
5,937,526 A	8/1999	Wahl	D567,444 S *	4/2008	Giannini D28/54
5,970,616 A	10/1999	Wahl	D567,445 S *	4/2008	Giannini D28/54
5,973,497 A	10/1999	Bergk	D567,446 S *	4/2008	Hara D28/54
5,994,855 A	11/1999	Lundell	7,350,314 B2	4/2008	McCambridge
6,067,714 A	5/2000	Taylor	7,356,934 B2	4/2008	McCambridge
6,073,348 A	6/2000	Shiba	7,360,269 B2	4/2008	Cobabe
6,073,350 A	6/2000	Elston	D570,544 S	6/2008	Hara
6,079,103 A	6/2000	Melton	7,419,494 B2	9/2008	Hashiguchi
6,082,005 A	7/2000	Tezuka	D583,098 S *	12/2008	Giannini D28/54
6,098,288 A	8/2000	Miyagawa	7,509,926 B2	3/2009	Porter
6,112,414 A	9/2000	Andis	7,536,789 B2	5/2009	Michel
6,125,542 A	10/2000	Somma	7,536,790 B2	5/2009	Ebenhoch
6,139,562 A	10/2000	Mauze	7,540,089 B2	6/2009	Oswald
6,223,438 B1	5/2001	Parsonage	7,581,319 B1	9/2009	Little
6,233,535 B1	5/2001	Petretty	D602,636 S *	10/2009	Lothar D28/54
6,263,576 B1	7/2001	Drapak	7,596,827 B1	10/2009	Puneet
6,276,060 B1	8/2001	Faulstich	D604,907 S	11/2009	Emminger
6,277,129 B1	8/2001	Poran	7,621,394 B2	11/2009	McCambridge
6,314,648 B1	11/2001	Hillebrandt	D606,259 S	12/2009	Emminger
6,322,569 B1	11/2001	Sueyoshi	7,624,506 B2	12/2009	Melton
6,338,265 B1	1/2002	Grigg	7,631,673 B2	12/2009	Salovaara
6,354,005 B1	3/2002	Bosch	7,637,014 B2	12/2009	Schnak
6,367,533 B1	4/2002	Pitzen	7,703,210 B2	4/2010	Lau
6,369,341 B2	4/2002	Katsumi	7,733,058 B2	6/2010	Takaoka
6,421,922 B2	7/2002	Beutel	7,748,123 B2	7/2010	Bednar
6,427,337 B1	8/2002	Burks	7,757,404 B2	7/2010	Ouchi
6,437,267 B1	8/2002	Imai	7,762,001 B2	7/2010	Morisugi
D462,482 S	9/2002	Rizzuto, Jr.	D624,244 S *	9/2010	Giannini D28/54
6,461,352 B2	10/2002	Morgan	7,804,034 B2	9/2010	Herzog
6,490,798 B2	12/2002	Morisugi	7,810,243 B2	10/2010	Schnak
6,490,799 B2	12/2002	Eich	7,832,104 B2	11/2010	Yamasaki
6,500,169 B1	12/2002	Deng	7,841,091 B2	11/2010	Melton
6,502,312 B2	1/2003	Beutel	7,845,132 B2	12/2010	Morton
6,536,116 B2	3/2003	Fung	7,852,371 B2	12/2010	Konstorum
6,568,083 B1	5/2003	Taniguchi	7,872,445 B2	1/2011	Hui
6,604,287 B2	8/2003	Melton	7,877,880 B2	2/2011	Royle
6,608,270 B2	8/2003	Donofrio	7,913,399 B2	3/2011	Lau
6,612,034 B2	9/2003	Damstra	7,918,029 B2	4/2011	Melton
6,658,740 B2	12/2003	Habben	7,946,253 B2	5/2011	Smith
6,665,938 B2	12/2003	McCambridge	7,952,322 B2	5/2011	Partovi
6,666,875 B1	12/2003	Sakurai	7,954,243 B2	6/2011	DeWit
6,669,704 B2	12/2003	Inoue	8,024,862 B2	9/2011	Morisugi
6,684,507 B2	2/2004	Lau	8,051,571 B2	11/2011	Andis
6,684,511 B2	2/2004	McCambridge	8,065,802 B2	11/2011	Oglesby
6,739,053 B2	5/2004	McCambridge	8,067,708 B2	11/2011	Herzog
			8,104,178 B2	1/2012	Worgull
			8,109,001 B2	2/2012	Royle
			8,113,347 B2	2/2012	Kohring
			8,117,753 B2	2/2012	Gilder

(56)

References Cited

U.S. PATENT DOCUMENTS

2011/0006611 A1 1/2011 Baarman
 2011/0010942 A1 1/2011 Lau
 2011/0010943 A1 1/2011 Izumi
 2011/0016727 A1 1/2011 Fuerst
 2011/0036058 A1 2/2011 Howdeshell
 2011/0061241 A1 3/2011 Jian
 2011/0067187 A1 3/2011 Pegross
 2011/0067241 A1 3/2011 Ogawa
 2011/0067242 A1 3/2011 Ogawa
 2011/0082494 A1 4/2011 Kerr
 2011/0119930 A1 5/2011 Scheunert
 2011/0131790 A1 6/2011 Chien
 2011/0167639 A1 7/2011 Lau
 2011/0196404 A1 8/2011 Dietz
 2012/0000756 A1 1/2012 Schnitzler
 2012/0186029 A1 7/2012 D'Alleva
 2012/0222310 A1 9/2012 Tomassetti
 2012/0233866 A1 9/2012 Kammer
 2013/0219724 A1 8/2013 Werner

2013/0250122 A1 9/2013 Binder
 2014/0042981 A1 2/2014 Kaizo
 2014/0059866 A1* 3/2014 Ogawa B26B 19/04
 30/208
 2014/0069786 A1 3/2014 Werner
 2014/0137883 A1 5/2014 Rothschild
 2015/0020658 A1 1/2015 Eljaouhari
 2015/0246454 A1 9/2015 Mintz
 2016/0375595 A1* 12/2016 Mintz B26B 19/3873
 30/123

OTHER PUBLICATIONS

International Search Report and Written Opinion from PCT/
 US2015/017643 dated Jun. 10, 2015.
 Koninklijke Philips N.V.; Beardtrimmer series 7000 promotional
 brochure; p. 1-3; Nov. 8, 2013; USA.
 Medline Industries, Inc.; Medline Surgical Clipper promotional
 brochure; p. 1-4; 2013; Mundelein, IL, USA.

* cited by examiner

FIG. 1

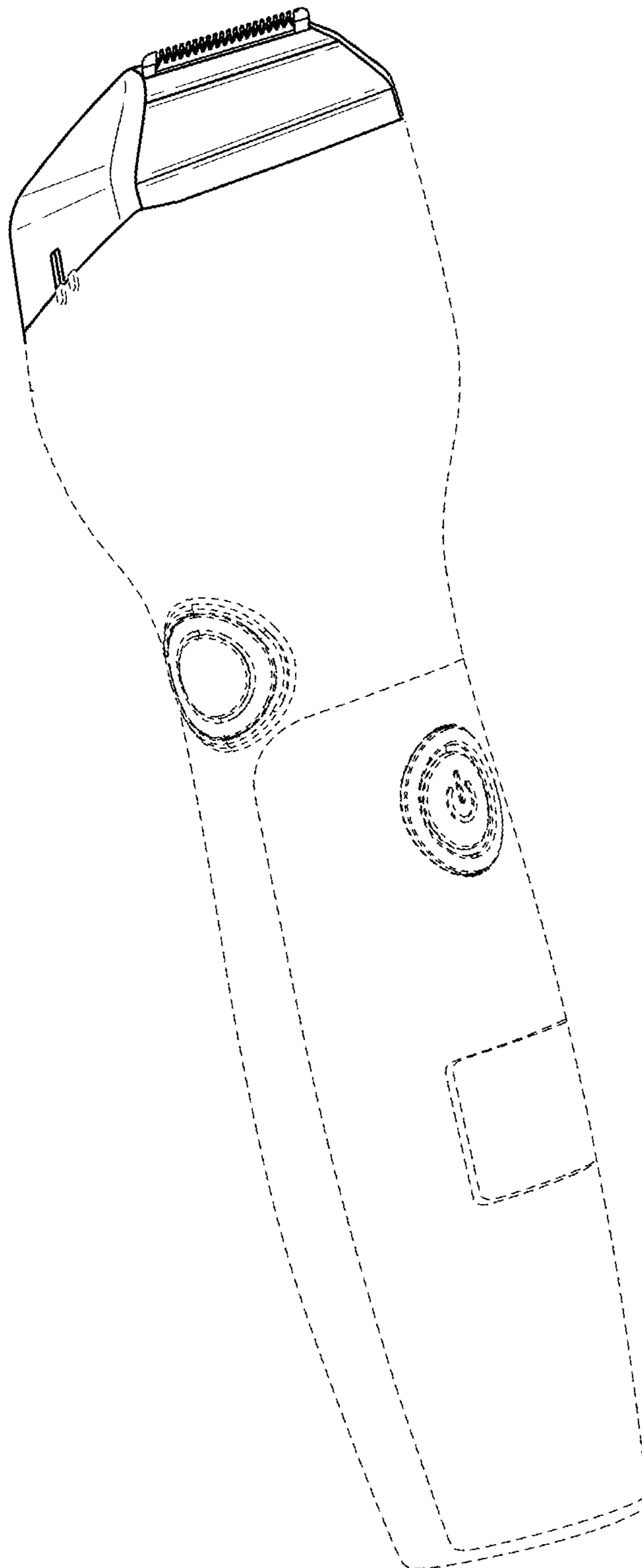


FIG. 2

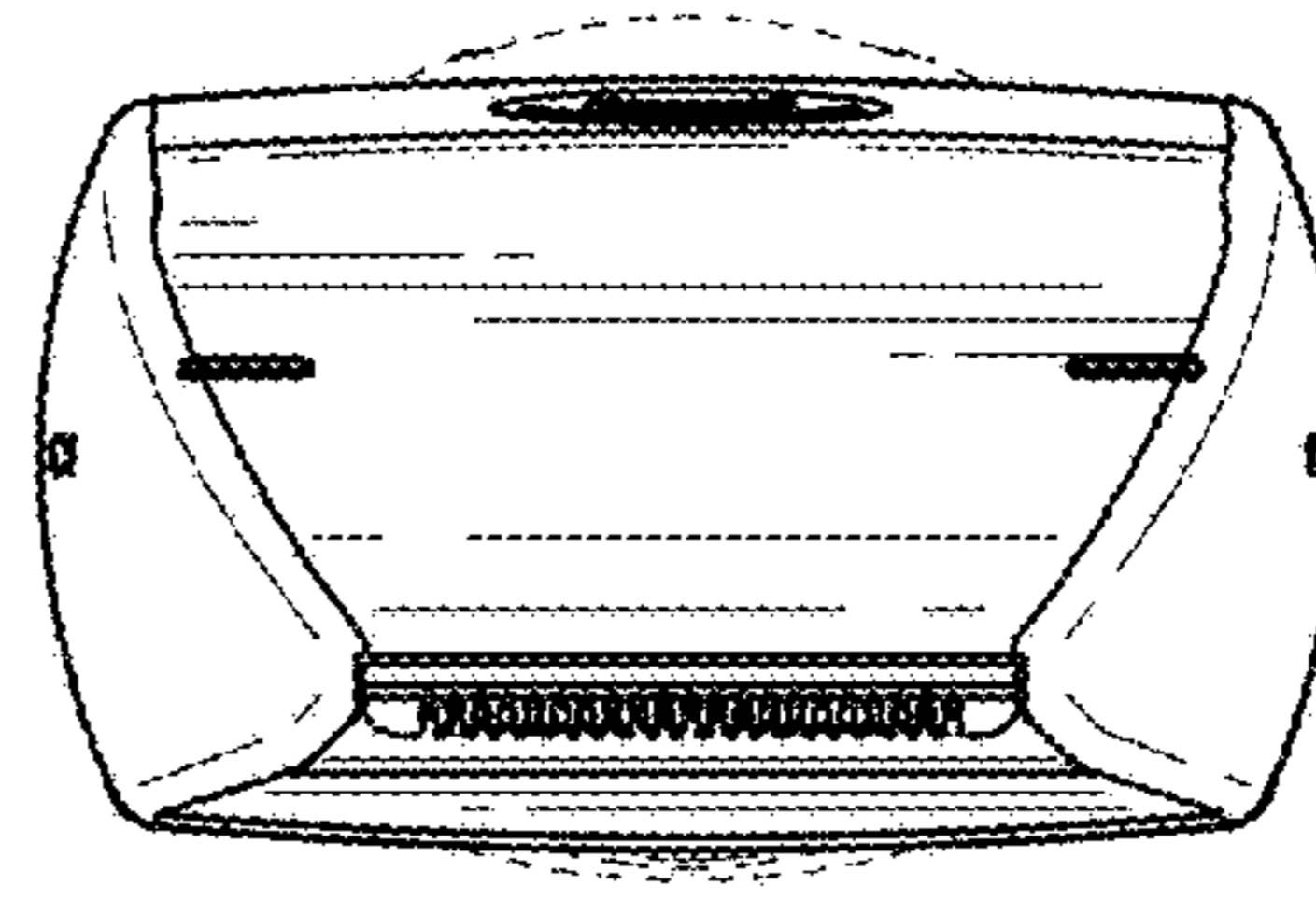


FIG. 3

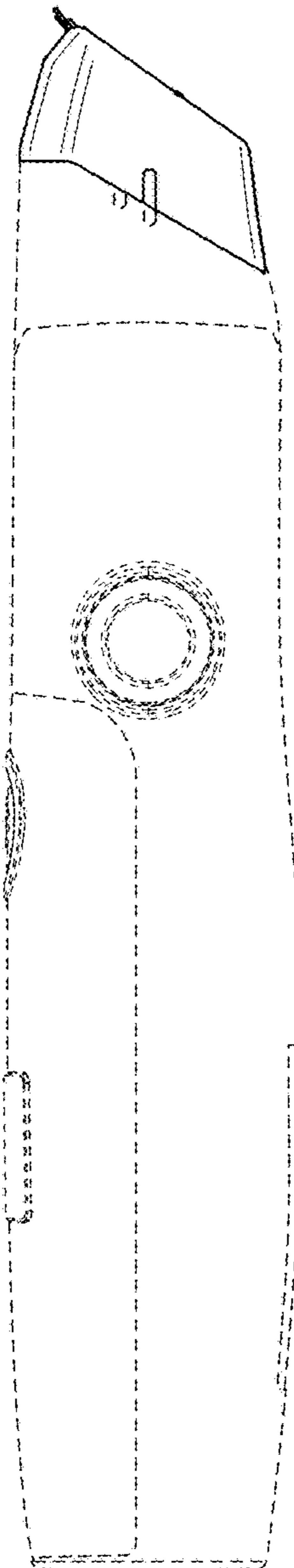


FIG. 4

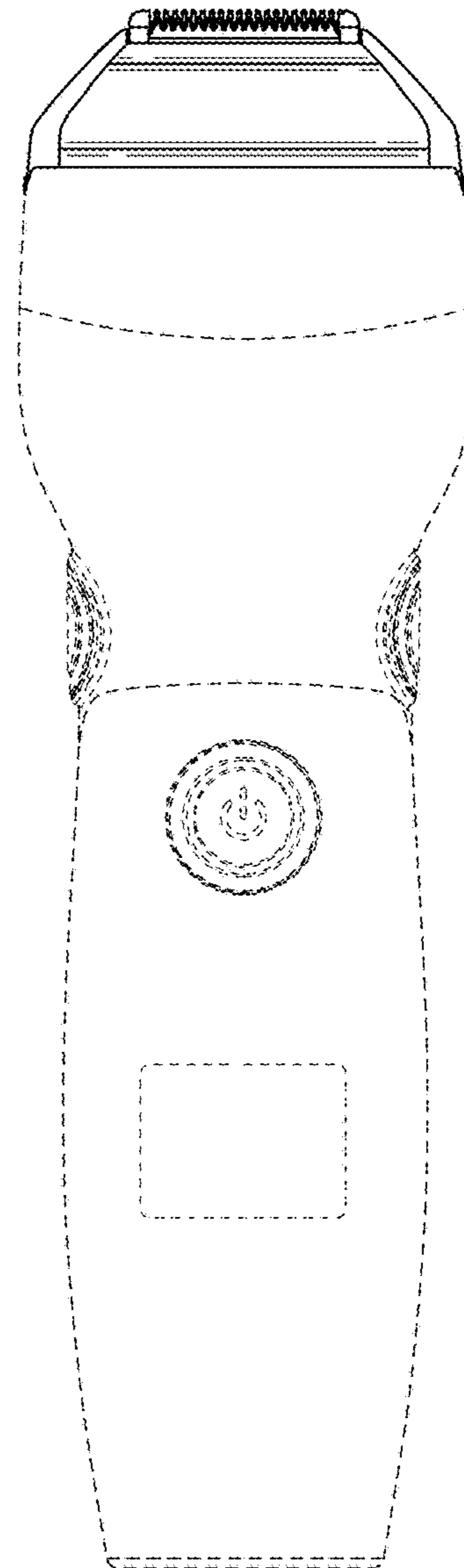


FIG. 5

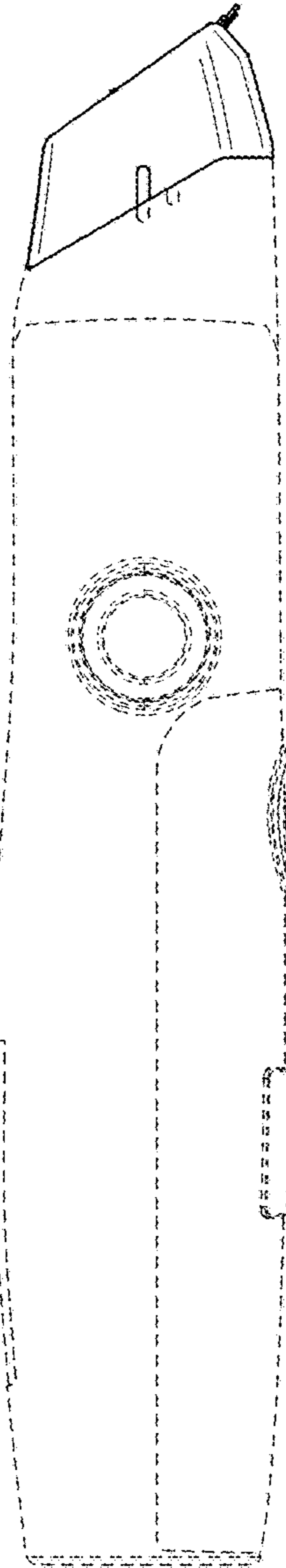


FIG. 6

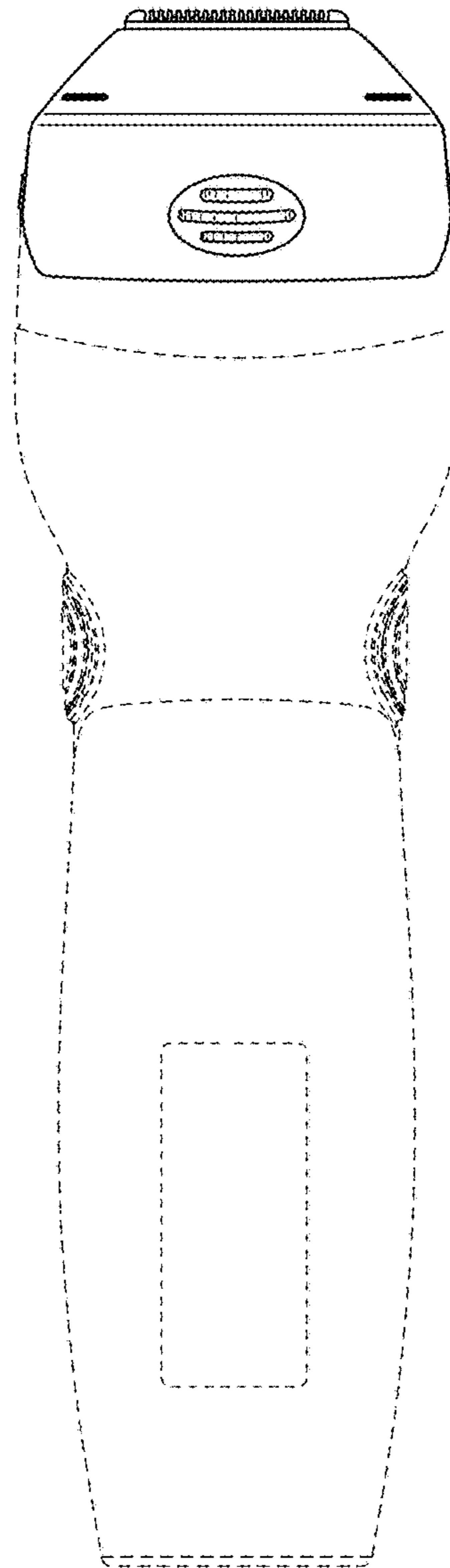


FIG. 7

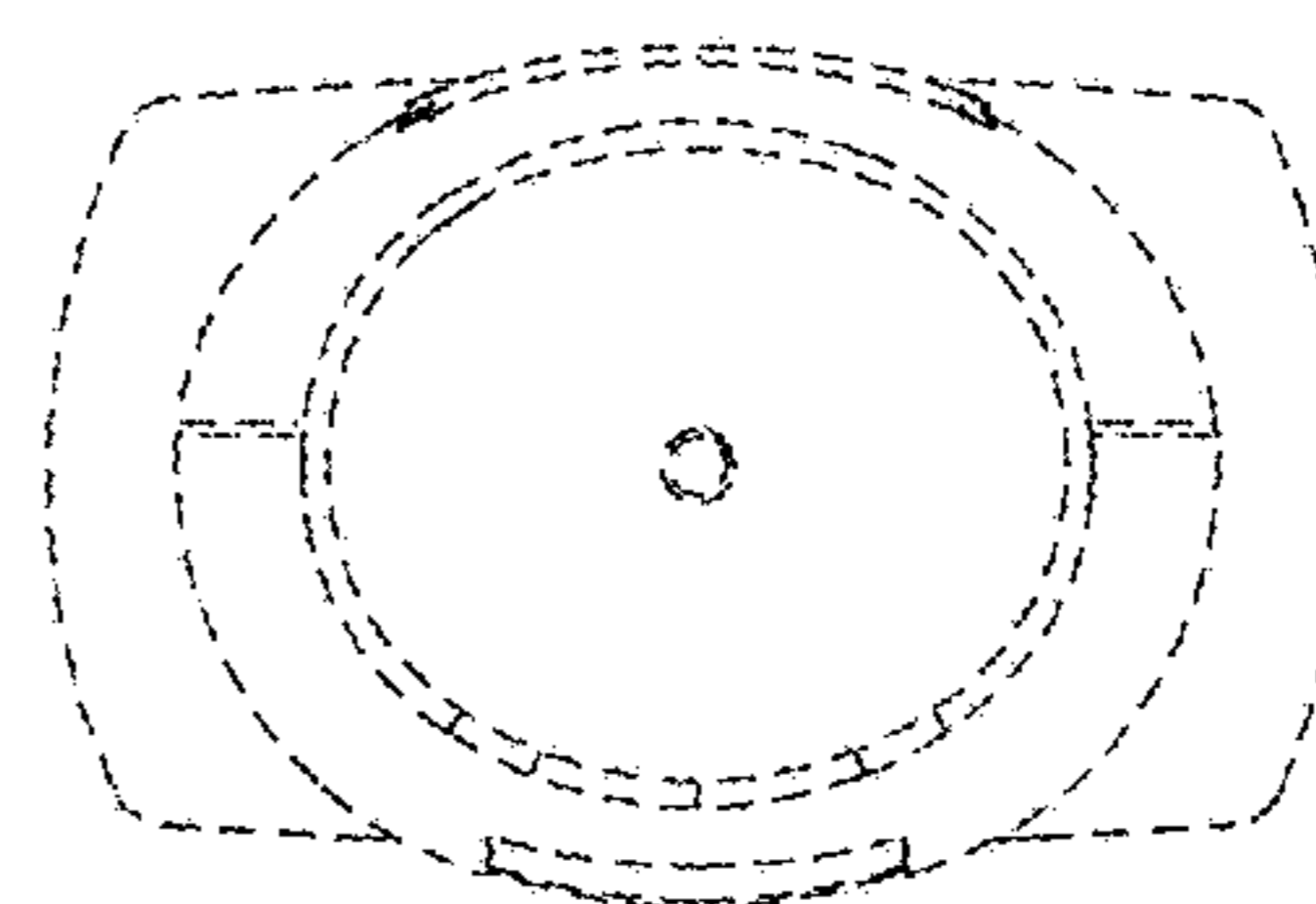


FIG. 8

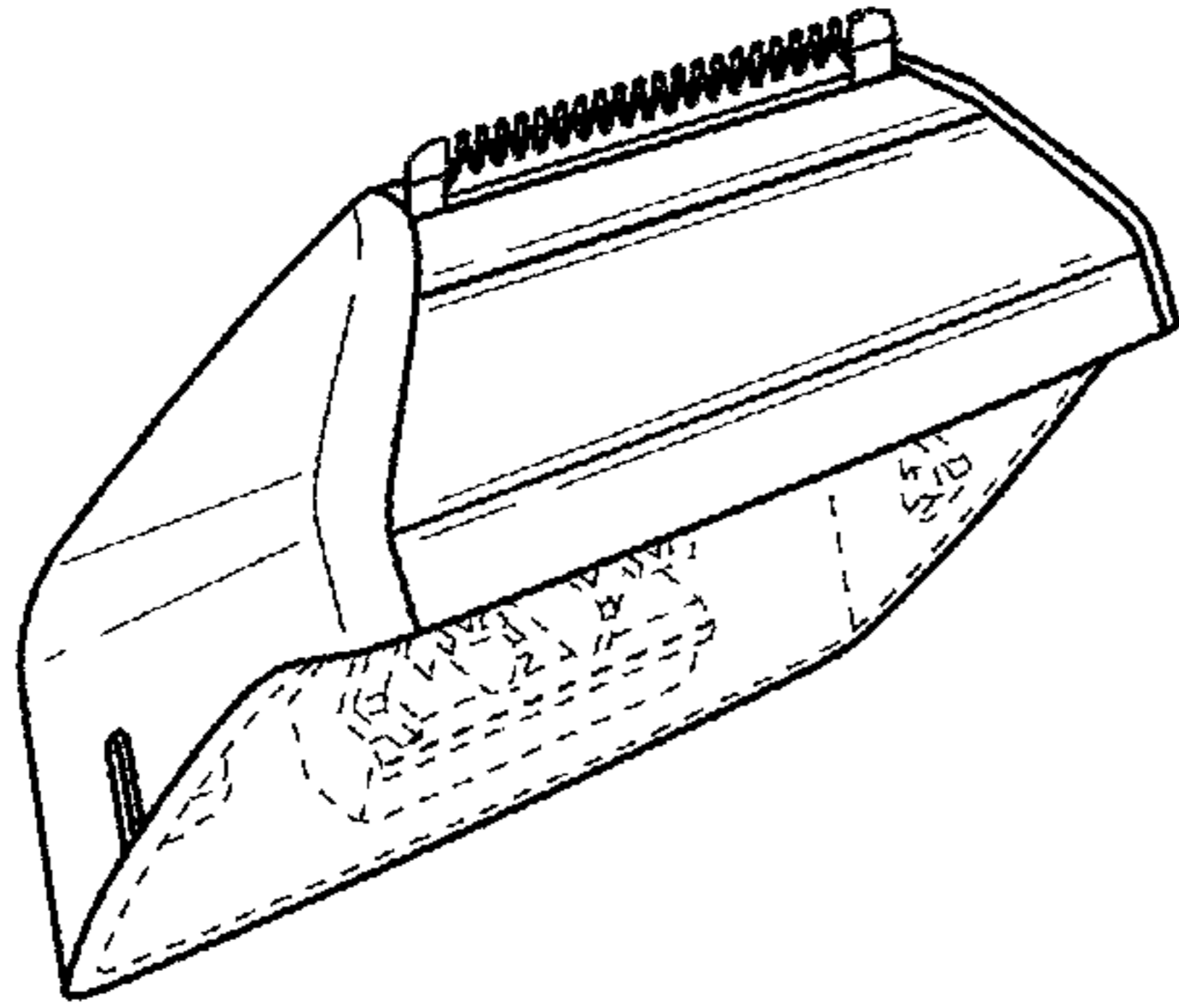


FIG. 9

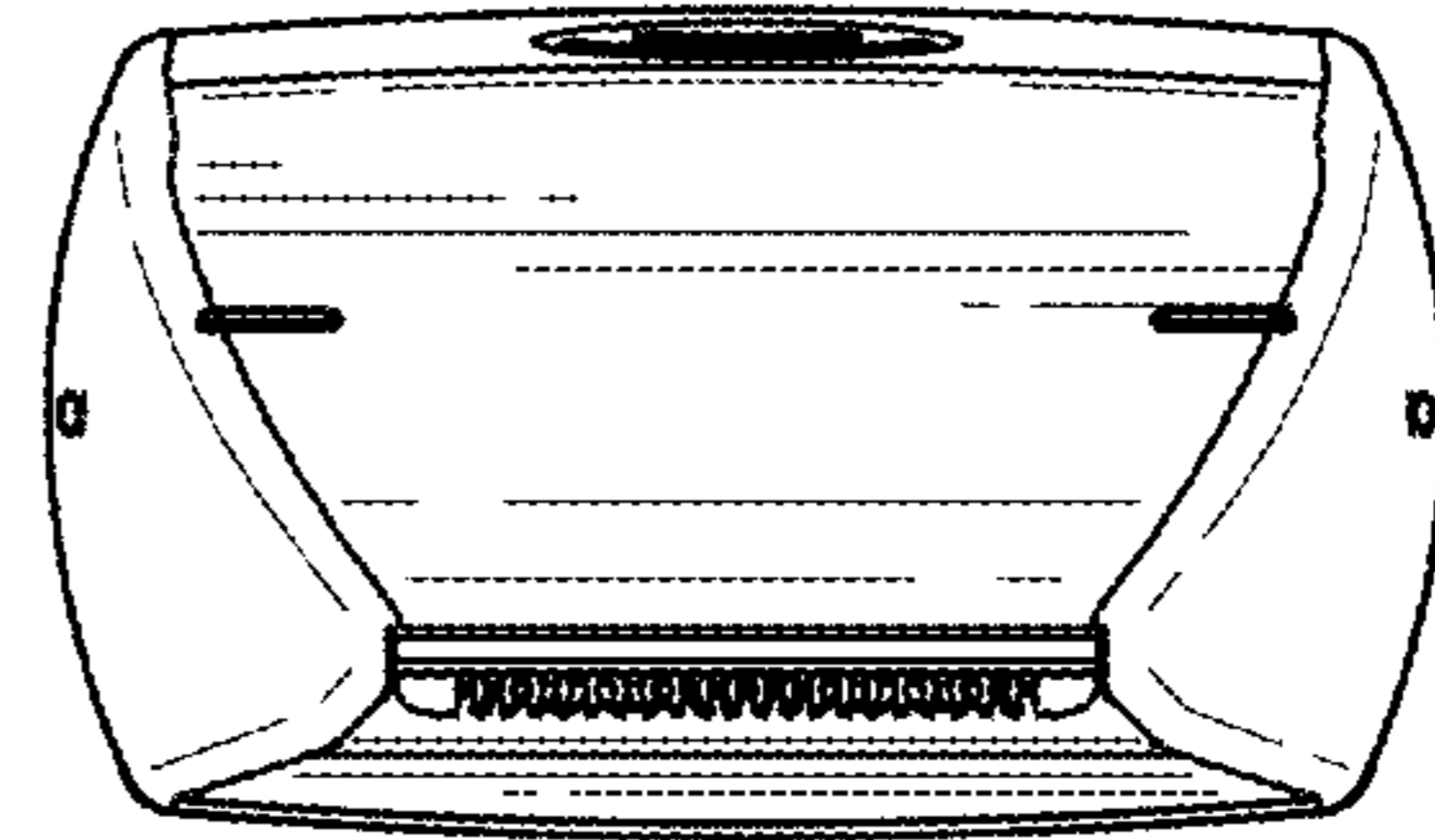


FIG. 10

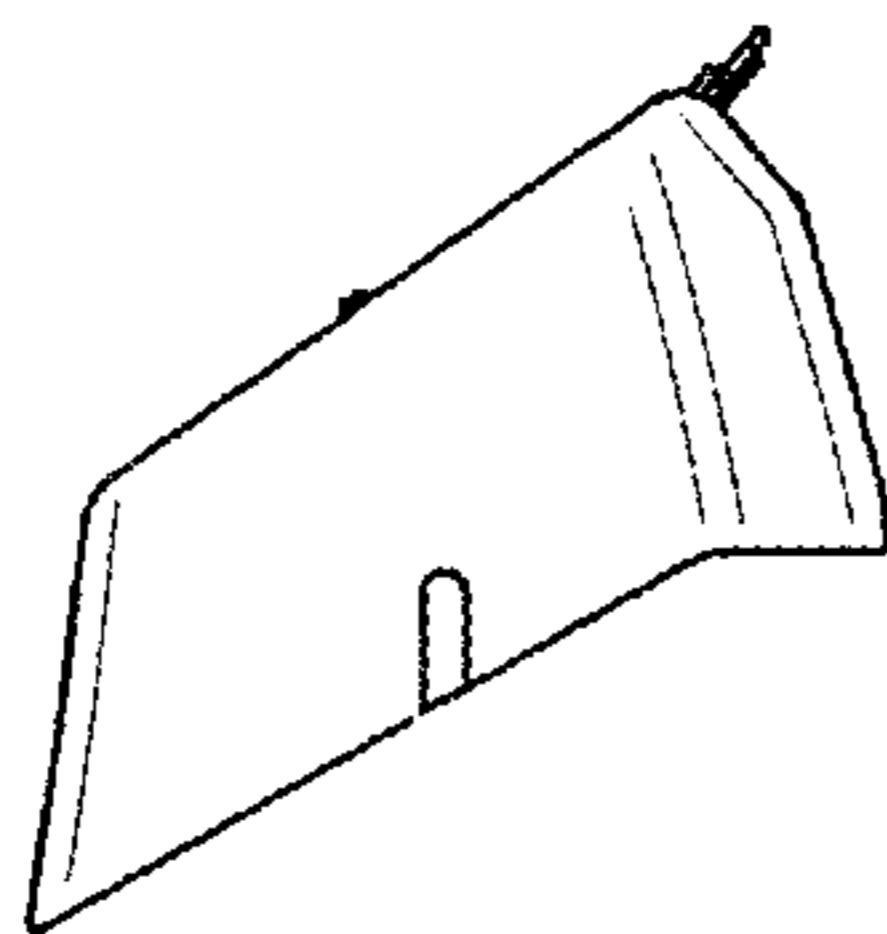


FIG. 11

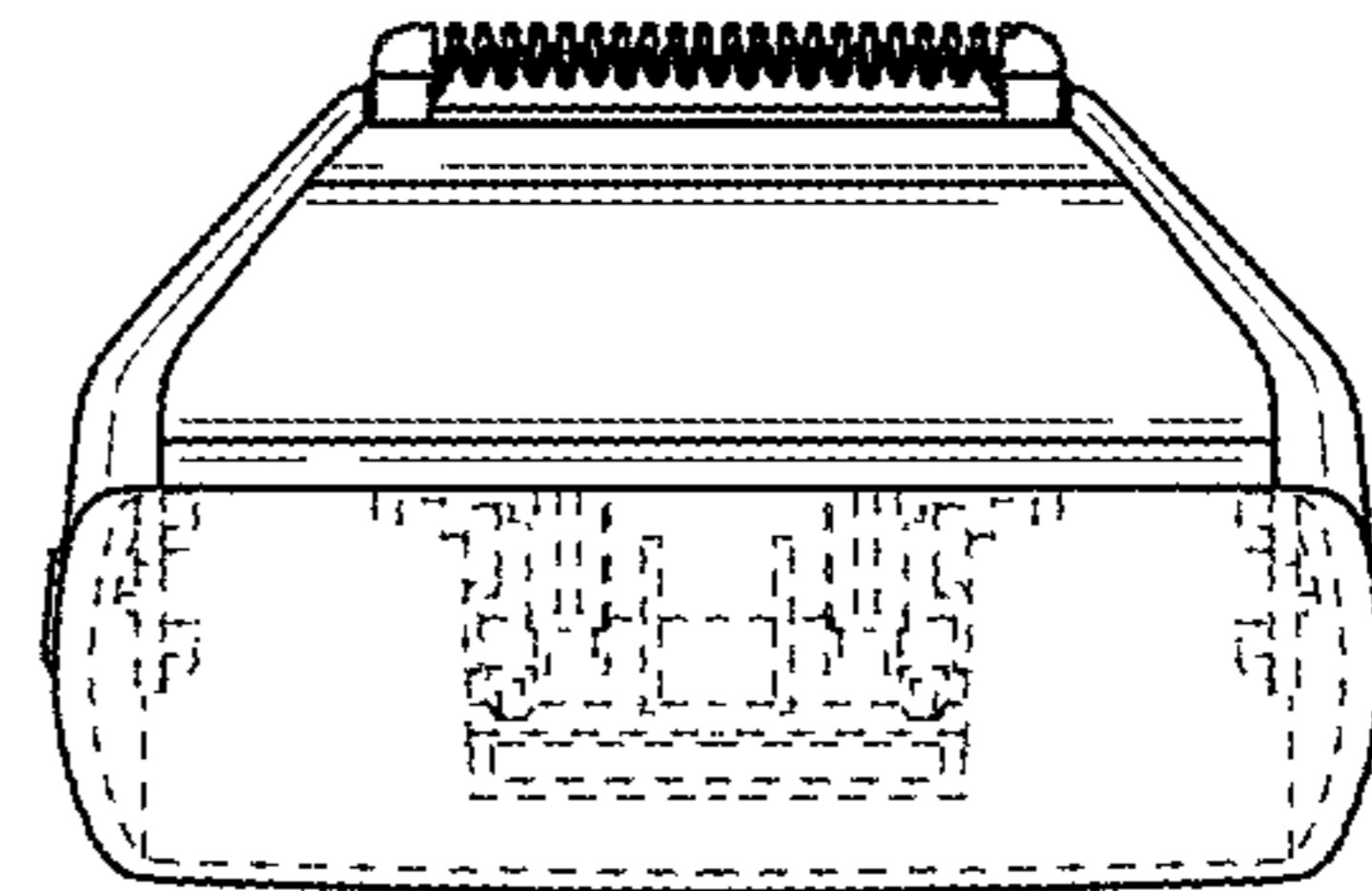


FIG. 12

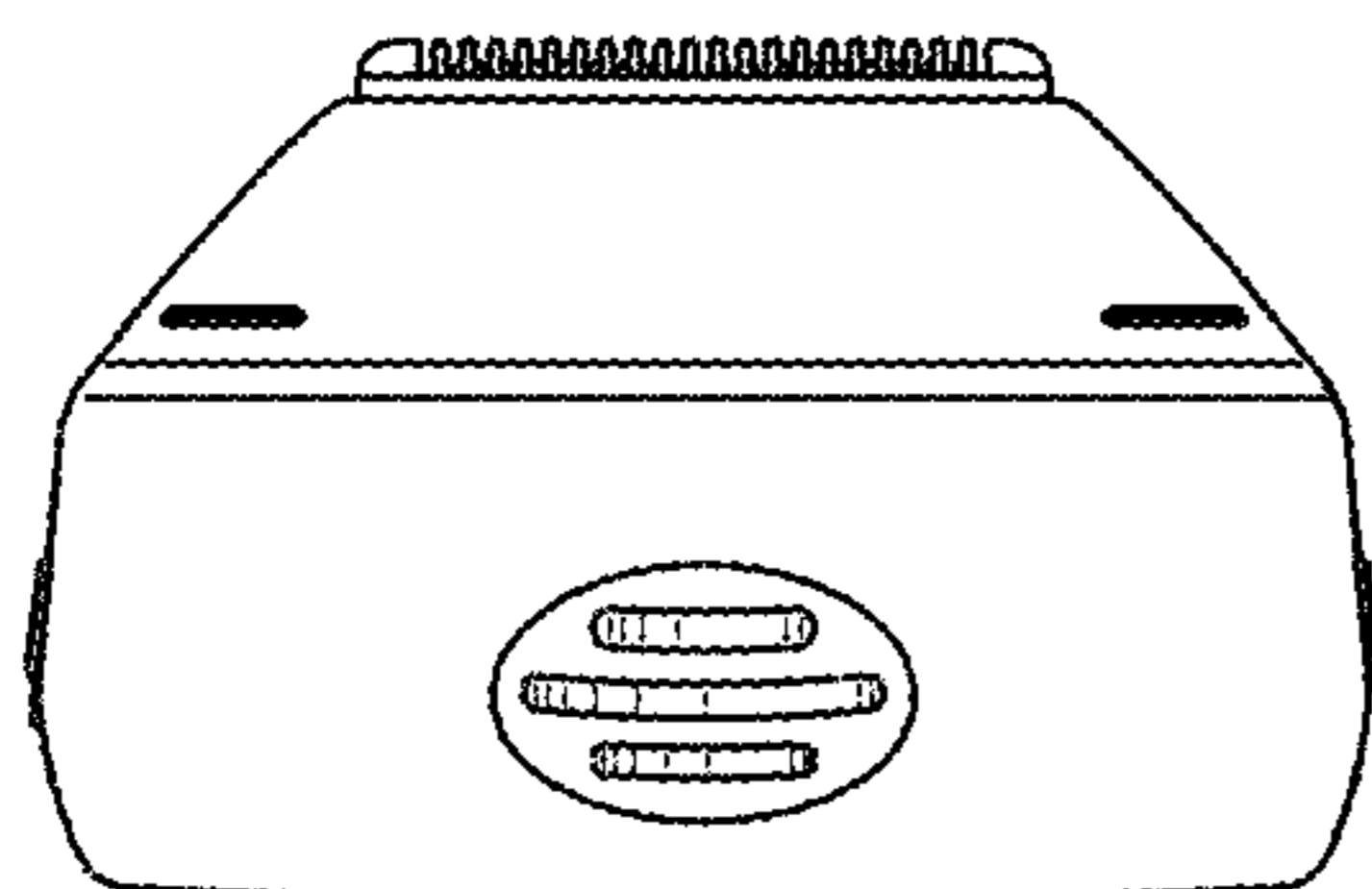


FIG. 13

