



US00D802213S

(12) **United States Design Patent** (10) **Patent No.:** **US D802,213 S**  
**Contaldi** (45) **Date of Patent:** **\*\* Nov. 7, 2017**

(54) **RAZOR HANDLE**  
(71) Applicant: **Walter Contaldi**, Clifton, NJ (US)  
(72) Inventor: **Walter Contaldi**, Clifton, NJ (US)  
(\*\*) Term: **15 Years**

6,560,876 B2 5/2003 Carr  
6,694,626 B2 2/2004 Kludjian et al.  
6,823,594 B2 11/2004 Kludjian et al.  
D500,889 S \* 1/2005 Greene ..... D28/46  
7,140,115 B2 11/2006 Greene  
D578,708 S 10/2008 Ringart  
D585,157 S 1/2009 Park  
D612,540 S \* 3/2010 Joslin ..... D28/48

(Continued)

(21) Appl. No.: **29/557,024**

FOREIGN PATENT DOCUMENTS

(22) Filed: **Mar. 4, 2016**  
(51) **LOC (10) Cl.** ..... **28-03**  
(52) **U.S. Cl.**

WO 1997025189 7/1997  
WO 2012120499 9/2012

USPC ..... **D28/48**

OTHER PUBLICATIONS

(58) **Field of Classification Search**  
USPC ..... D28/44, 45–48  
CPC ..... B26B 21/00–21/06; B26B 21/08–21/4031;  
B26B 21/4043; B26B 21/4062; B26B  
21/4068–21/4075  
See application file for complete search history.

S4 Shark: Headblade, Inc., <http://www.headblade.com/product/540016.html>, accessed on Jan. 1, 2016.

*Primary Examiner* — Jennifer Rivard  
(74) *Attorney, Agent, or Firm* — Gearhart Law LLC

(56) **References Cited**

(57) **CLAIM**

U.S. PATENT DOCUMENTS

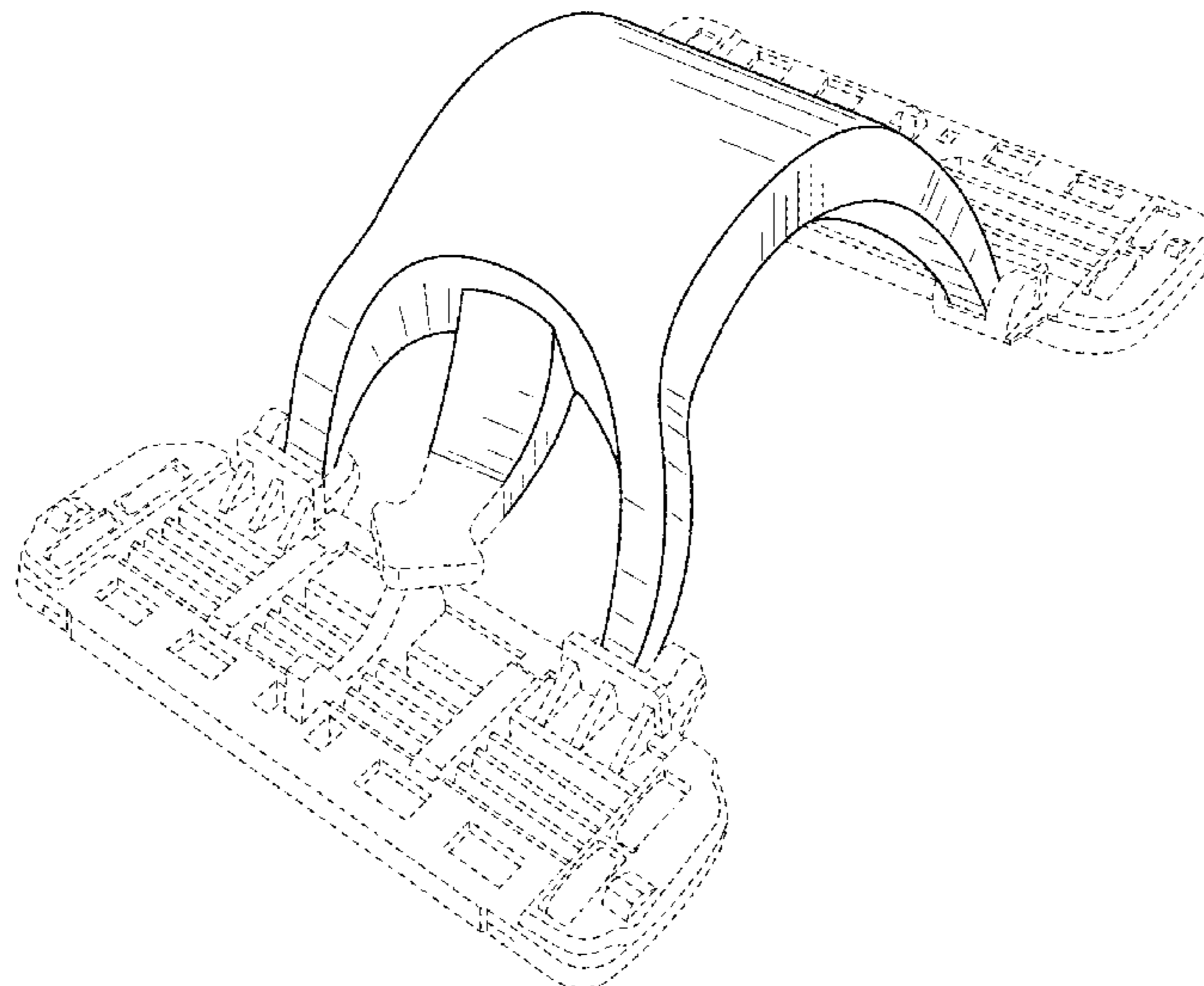
The ornamental design for a razor handle, as shown and described.

1,187,441 A 6/1916 Miller  
1,359,666 A 11/1920 Brandt  
2,150,260 A 3/1939 Berry  
4,461,078 A 7/1984 Carreker  
4,989,328 A 2/1991 Sokoloff  
D391,021 S 2/1998 van Oene  
5,865,189 A 2/1999 Andrews  
6,018,877 A 2/2000 Greene  
6,029,356 A \* 2/2000 Sprinkle ..... B26B 21/08  
30/298  
D423,143 S 4/2000 Cowell  
6,052,905 A 4/2000 Branchinelli et al.  
D426,918 S \* 6/2000 Greene ..... D28/48  
6,082,007 A 7/2000 Andrews  
6,112,421 A 9/2000 Greene  
6,125,857 A 10/2000 Siber  
D446,351 S \* 8/2001 Greene ..... D28/46  
6,434,828 B1 8/2002 Andrews  
6,493,950 B1 12/2002 Kludjian et al.

**DESCRIPTION**

FIG. 1 is a perspective view of an embodiment of the razor handle.  
FIG. 2 is a back view thereof.  
FIG. 3 is a front view thereof.  
FIG. 4 is a left side view thereof.  
FIG. 5 is a right side view thereof.  
FIG. 6 is a top view of thereof; and,  
FIG. 7 is a bottom view of thereof.  
The evenly spaced broken lines in the drawings are used to illustrate the environment and form no part of the claimed design. The dash-dot-dash broken lines illustrate the bounds of the claim and form no part of the claimed design.

**1 Claim, 4 Drawing Sheets**



(56)

**References Cited**

U.S. PATENT DOCUMENTS

8,387,259	B2	3/2013	Starr	
8,782,911	B1	7/2014	Greene	
2002/0050065	A1	5/2002	Kludjian et al.	
2002/0194735	A1	12/2002	Cecil	
2014/0068948	A1*	3/2014	Marder .....	B26B 21/225 30/47
2015/0183119	A1*	7/2015	Contaldi .....	B26B 21/522 132/200
2016/0193740	A1*	7/2016	Phillips .....	B26B 21/527 30/34.05
2016/0288350	A1*	10/2016	Contaldi .....	B26B 21/522

\* cited by examiner

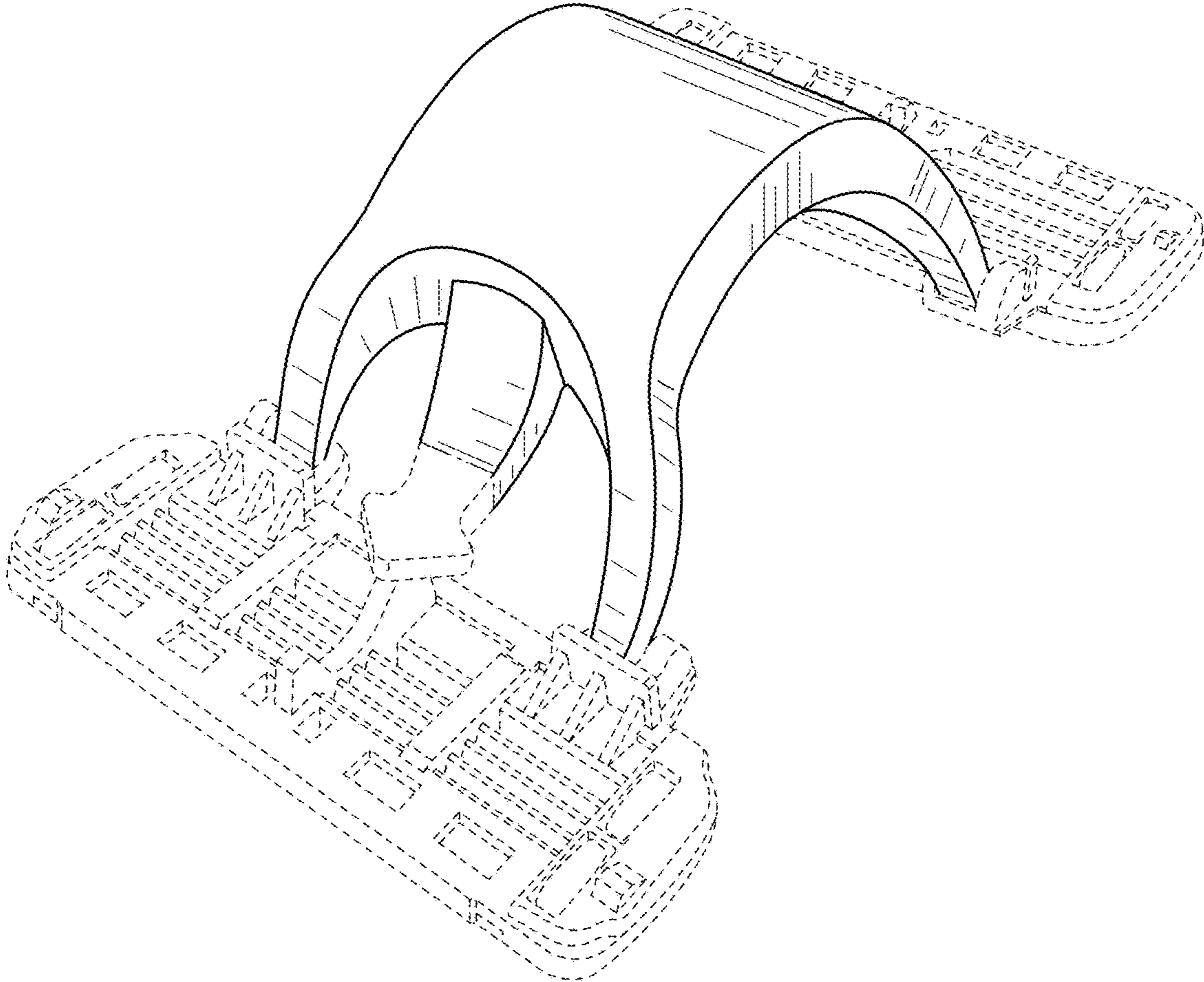


FIG. 1

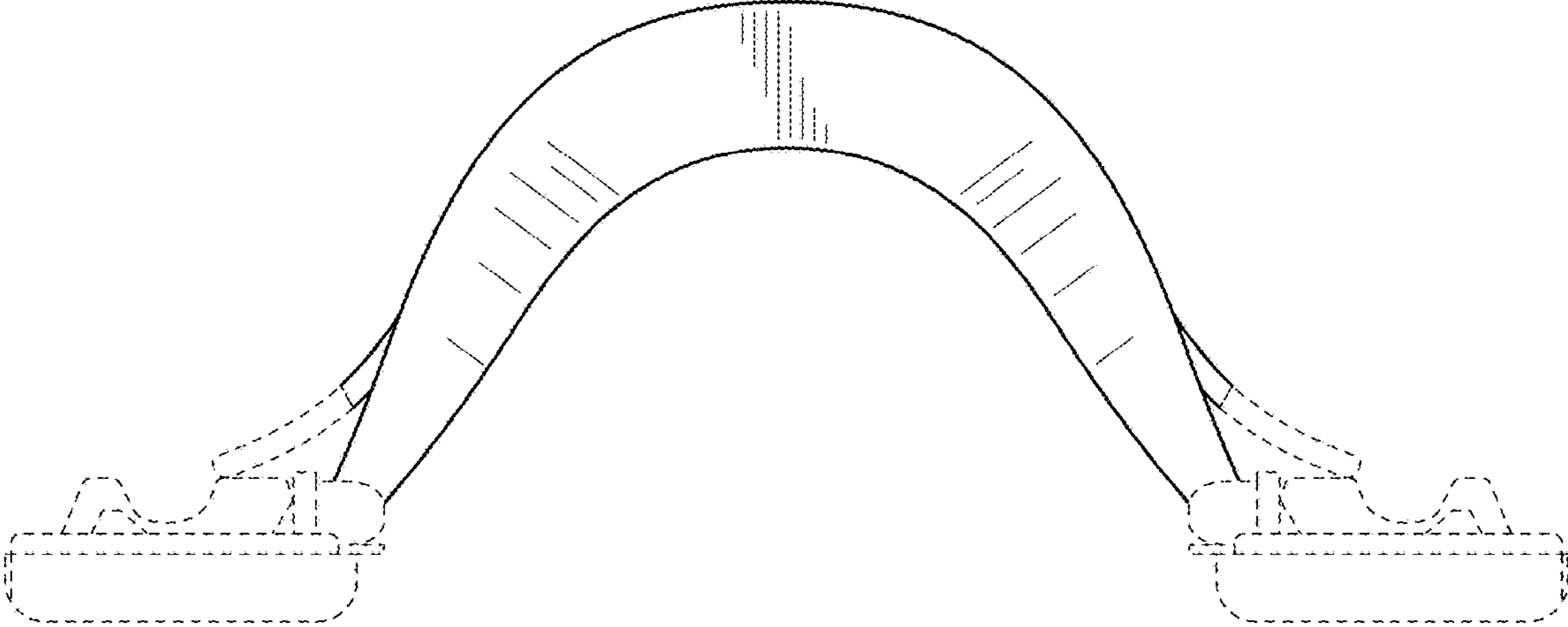


FIG. 2

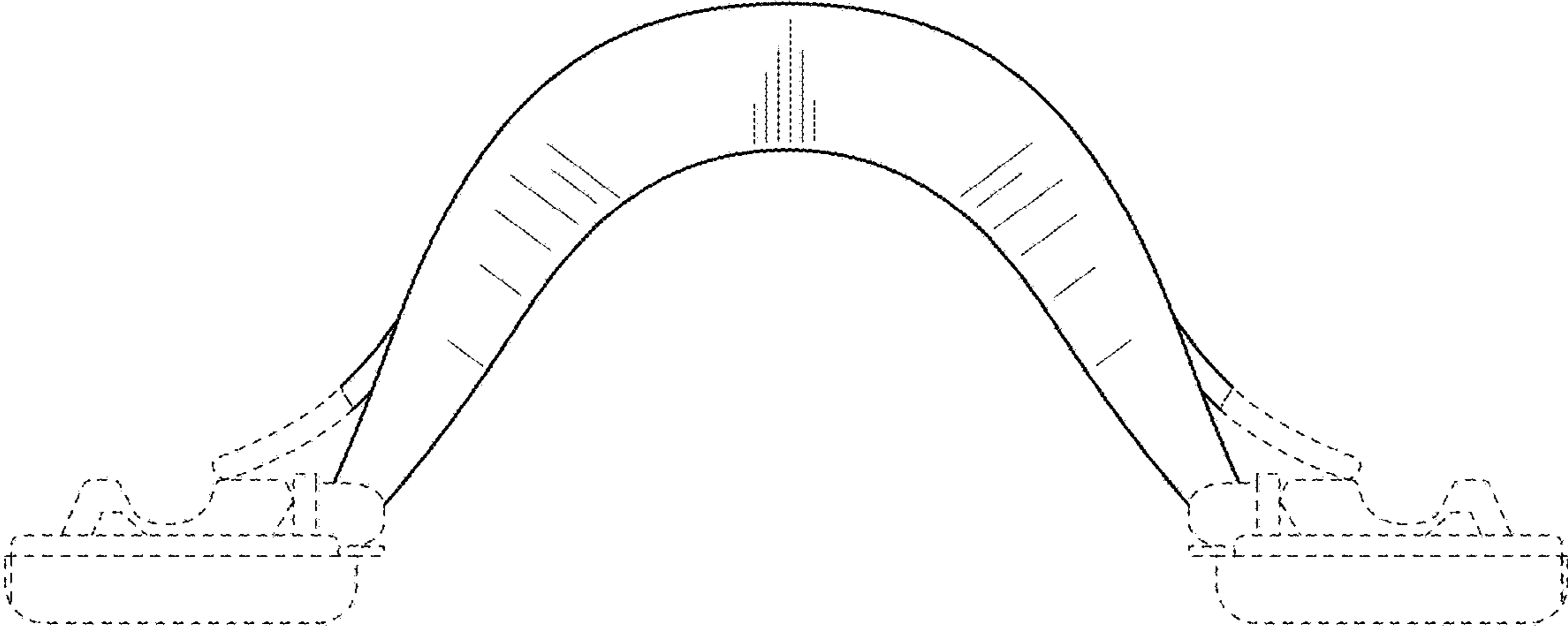


FIG. 3

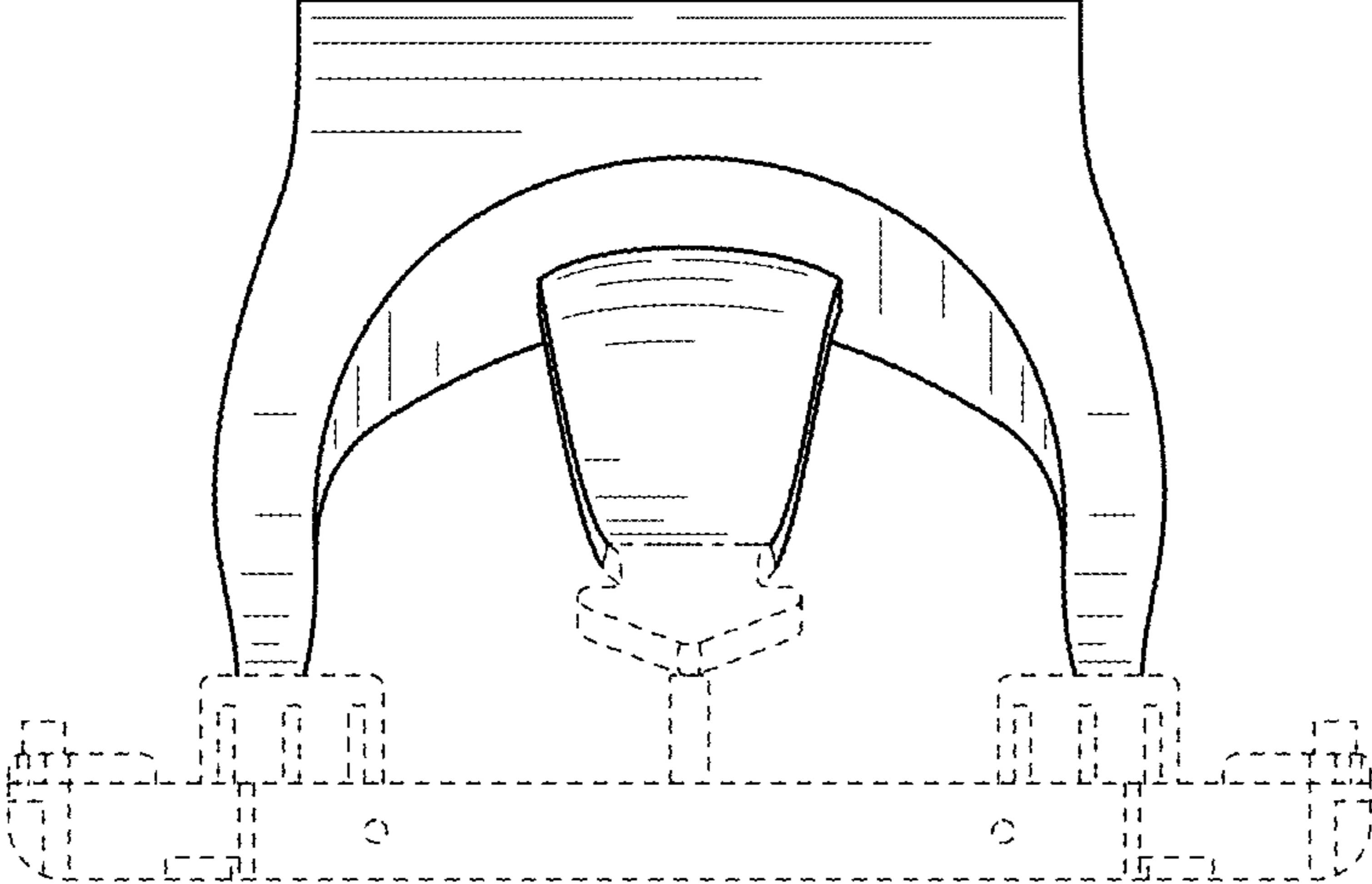


FIG. 4

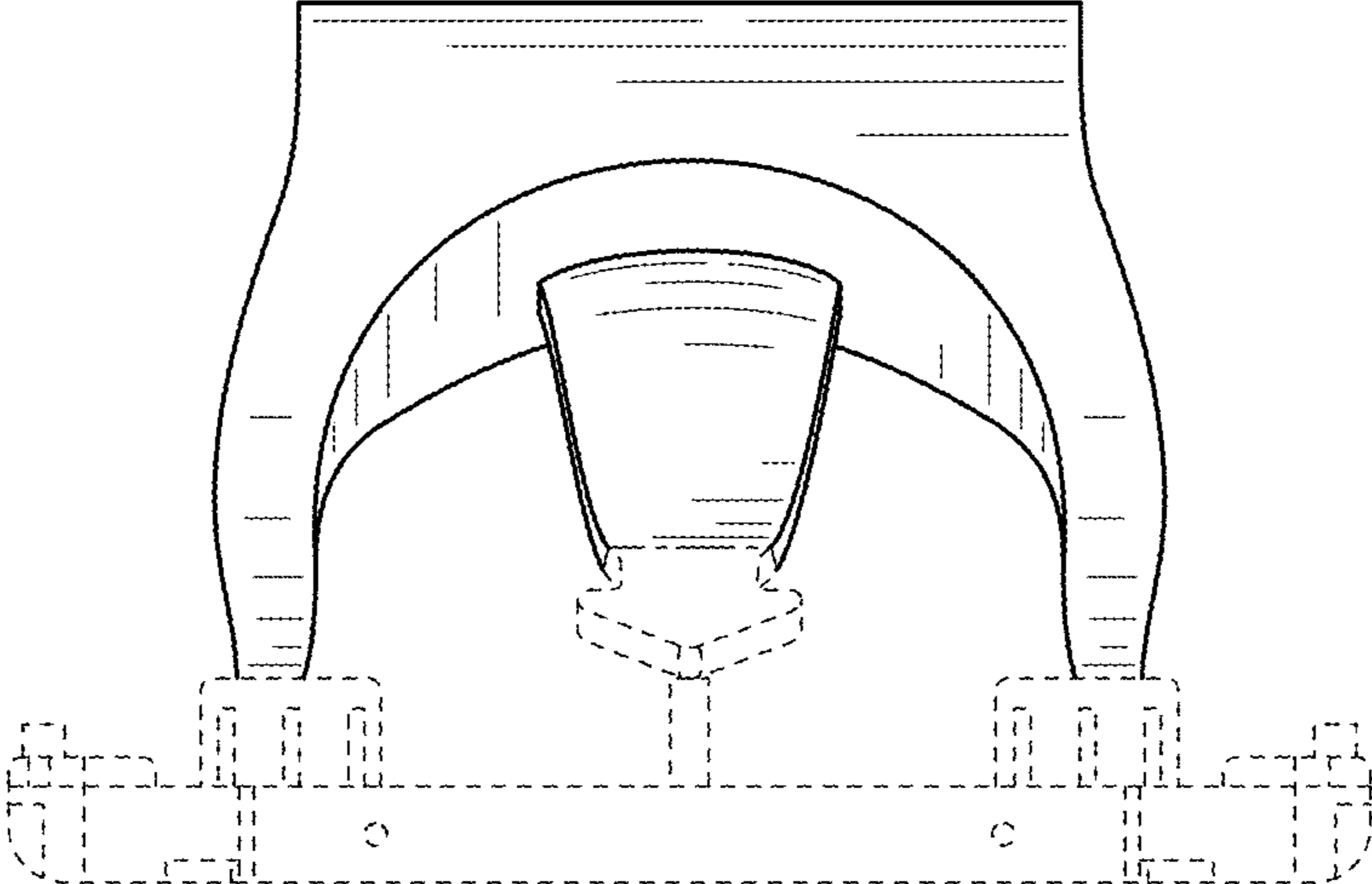


FIG. 5

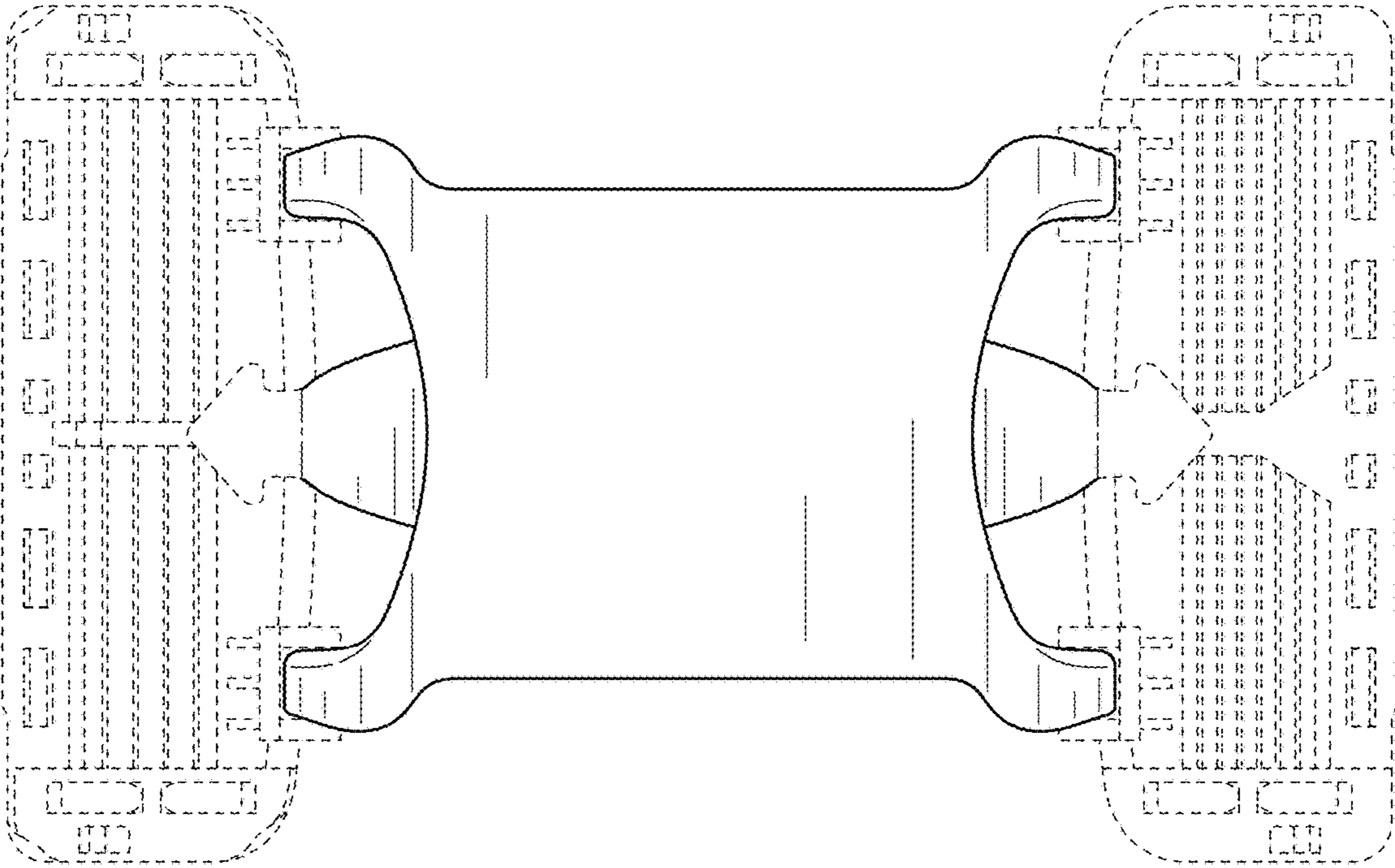


FIG. 6

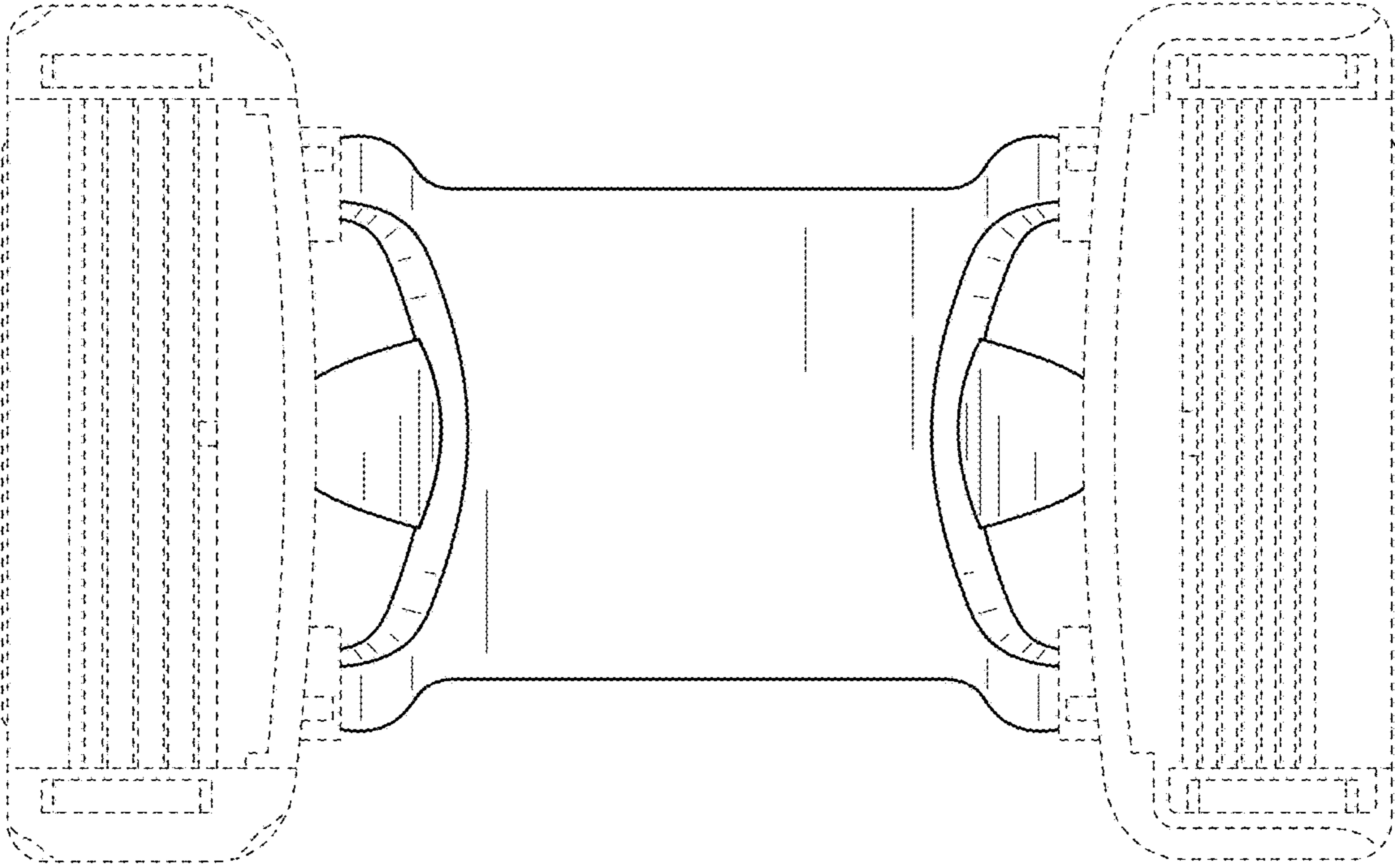


FIG. 7