



US00D802207S

(12) **United States Design Patent** (10) **Patent No.:** **US D802,207 S**
Bramley et al. (45) **Date of Patent:** **** Nov. 7, 2017**

(54) **MOUTHPIECE OF A SMOKING ARTICLE**

(56)

References Cited

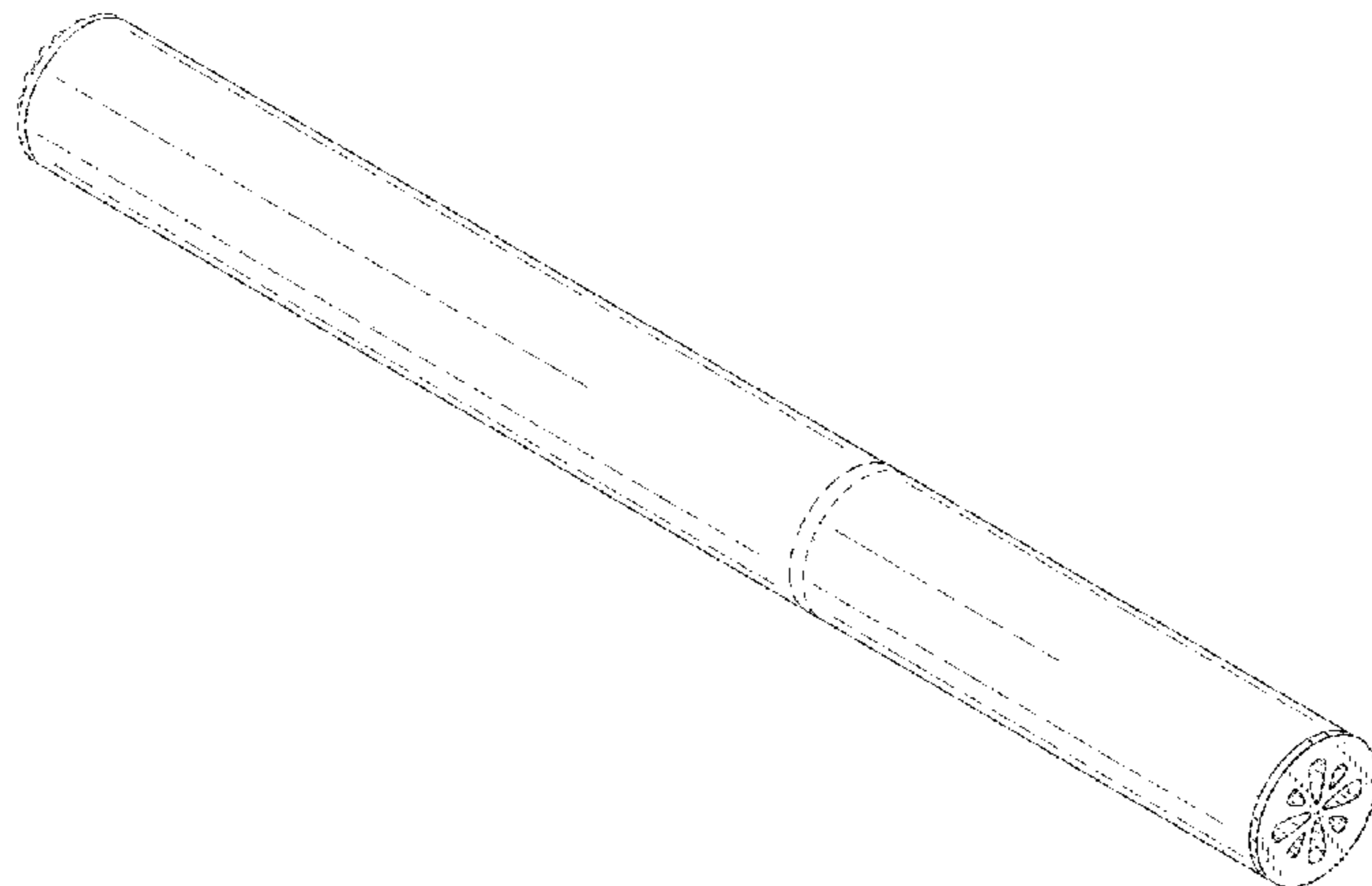
- (71) Applicant: **Altria Client Services LLC**,
Richmond, VA (US)
- (72) Inventors: **Alistair Bramley**, Richmond, VA (US);
George Stafford, Richmond, VA (US);
Eric Hawes, Midlothian, VA (US);
Traci Martin, Richmond, VA (US);
Berina Yerkic-Husejnovic, Richmond,
VA (US)
- (73) Assignee: **Altria Client Services LLC**,
Richmond, VA (US)
- (**) Term: **15 Years**
- (21) Appl. No.: **29/591,099**
- (22) Filed: **Jan. 17, 2017**

U.S. PATENT DOCUMENTS

D142,842 S	11/1945	Daze	
D212,753 S *	11/1968	Tughan	D23/369
3,587,573 A	6/1971	Flack	
3,720,235 A	3/1973	Schrock	
D229,725 S *	12/1973	Berger	131/361
D229,788 S *	1/1974	Berger	131/361
D229,789 S *	1/1974	Berger	131/361
D229,790 S *	1/1974	Berger	131/361
D254,930 S *	5/1980	Mandon	D23/369
D254,931 S *	5/1980	Mandon	D23/369
D267,121 S	11/1982	Min	
4,429,703 A	2/1984	Haber	
D275,223 S	8/1984	Marxen	
4,945,929 A	8/1990	Egilmex	
5,042,510 A	8/1991	Curtiss et al.	
5,095,921 A	3/1992	Losee et al.	
5,179,966 A	1/1993	Losee et al.	
5,269,327 A	12/1993	Counts et al.	
D347,490 S	5/1994	Gee et al.	
D375,159 S	10/1996	Johansson	
D384,283 S	9/1997	Davies et al.	
D404,459 S *	1/1999	Furner	D22/119
D404,629 S	1/1999	Cooper	
D405,220 S	2/1999	Dal Monte	
6,061,950 A *	5/2000	Carey	A01M 1/2066 422/126
6,357,448 B1	3/2002	Sinclair, Jr.	
6,649,268 B1	11/2003	Komine et al.	
D484,963 S	1/2004	Jones et al.	
D489,679 S	5/2004	Wong	
D497,423 S	10/2004	Muir et al.	
D508,199 S	8/2005	Winig et al.	
D534,682 S	1/2007	Malhi	
D548,086 S *	8/2007	Conway	D7/300.1
D550,378 S	9/2007	Adams et al.	
D550,829 S *	9/2007	Buthier	D23/367
D555,085 S	11/2007	Kim	
D591,415 S	4/2009	Wu	
D633,034 S	2/2011	Heine et al.	
D641,464 S	7/2011	De Haan et al.	
D644,375 S	8/2011	Zhou	
8,002,897 B2	8/2011	Palfy et al.	
D646,431 S	10/2011	Awty et al.	
D651,338 S	12/2011	Awty et al.	
D662,257 S	6/2012	Alelov	
D684,311 S	6/2013	Liu	
D685,522 S *	7/2013	Potter	D27/101
D686,717 S	7/2013	Mack	
D688,415 S	8/2013	Kim	

Related U.S. Application Data

- (60) Division of application No. 29/561,106, filed on Apr. 13, 2016, now Pat. No. Des. 779,725, which is a continuation of application No. 29/503,697, filed on Sep. 29, 2014, now abandoned.
- (51) **LOC (10) Cl.** **27-02**
- (52) **U.S. Cl.**
USPC **D27/170**
- (58) **Field of Classification Search**
USPC D27/101, 105, 108, 123, 129, 163, 164,
D27/169, 172, 175, 183, 184, 186, 187,
D27/189, 190, 193, 195; D25/126;
D24/110; D9/529; D23/412, 390, 397,
D23/366, 367, 369; D8/300, 349-352,
D8/354-356
CPC A61M 15/009; A24F 1/02; A24F 1/04;
A24F 1/08; A24F 1/16; A24F 1/28; A24F
1/30
See application file for complete search history.



US D802,207 S

Page 2

D688,416 S	8/2013	Liu	
8,499,766 B1 *	8/2013	Newton	A24F 47/008 131/273
D691,765 S *	10/2013	Tucker	D27/101
D691,766 S *	10/2013	Tucker	D27/101
D692,612 S	10/2013	Lowenthal et al.	
D692,613 S	10/2013	Morreale	
D694,468 S	11/2013	Chen	
D695,449 S *	12/2013	Tucker	D27/101
D702,478 S	4/2014	Wai	
8,707,965 B2 *	4/2014	Newton	A61M 15/06 128/202.21
8,833,364 B2	9/2014	Buchberger	
8,881,737 B2	11/2014	Collett et al.	
8,888,311 B2	11/2014	Parsons	
8,897,628 B2	11/2014	Conley et al.	
D720,499 S	12/2014	Alima	
8,939,943 B2	1/2015	Edwards et al.	
D722,196 S *	2/2015	Tucker	D27/101
8,950,395 B2	2/2015	Schennum	
D724,262 S *	3/2015	Hearn	D27/101
D724,781 S	3/2015	Hearn et al.	
D725,821 S	3/2015	Levin et al.	
D727,564 S	4/2015	LaForge et al.	
D727,565 S	4/2015	LaForge et al.	
D728,154 S	4/2015	Lavanchy et al.	
D729,439 S *	5/2015	Scatterday	D27/101
D730,571 S	5/2015	Chen	
9,050,427 B2	6/2015	Harris et al.	
D738,567 S *	9/2015	Tucker	D27/101
D739,598 S	9/2015	Lavanchy et al.	
D742,021 S	10/2015	Labuschagne et al.	
D743,097 S *	11/2015	Tucker	D27/101
D743,622 S	11/2015	Alima	
D747,547 S	1/2016	Liu	
D748,323 S	1/2016	Tucker et al.	
D749,509 S	2/2016	Blau	
D750,834 S *	3/2016	Wei	D27/101
D754,919 S *	4/2016	Alarcon	D27/101
D756,564 S	5/2016	Yerkic-Husejnovic et al.	
D767,820 S *	9/2016	Jordan	D27/170
D779,725 S *	2/2017	Bramley	D27/170
D780,993 S *	3/2017	Bramley	D27/170
D782,108 S *	3/2017	Jordan	D27/167
2012/0053512 A1	3/2012	Muse	
2013/0068239 A1	3/2013	Youn	
2013/0087160 A1	4/2013	Gherghe	
2013/0140200 A1	6/2013	Scatterday	
2013/0167854 A1	7/2013	Shin	
2013/0192615 A1	8/2013	Tucker et al.	
2013/0192623 A1	8/2013	Tucker et al.	
2013/0213419 A1	8/2013	Tucker et al.	
2013/0228190 A1	9/2013	Weiss et al.	
2013/0298905 A1	11/2013	Levin et al.	
2013/0312742 A1	11/2013	Monsees et al.	
2013/0319440 A1	12/2013	Capuano	
2013/0327345 A1	12/2013	Clarke	
2013/0340775 A1	12/2013	Juster et al.	
2014/0014124 A1	1/2014	Glasberg et al.	
2014/0020693 A1	1/2014	Cochand et al.	
2014/0034070 A1	2/2014	Schennum	
2014/0053856 A1	2/2014	Liu	
2014/0060554 A1	3/2014	Collett et al.	
2014/0076310 A1	3/2014	Newton	
2014/0174458 A1	6/2014	Katz	
2014/0202477 A1	7/2014	Qi et al.	
2014/0209105 A1	7/2014	Sears et al.	
2014/0224267 A1	8/2014	Levitz et al.	
2014/0270727 A1	9/2014	Ampolini et al.	
2014/0283859 A1 *	9/2014	Minskoff	A24F 47/008 131/329
2014/0318558 A1	10/2014	Liu	
2014/0336565 A1	11/2014	Nichols	
2014/0345632 A1 *	11/2014	Scatterday	A24F 47/008 131/329
2014/0345635 A1	11/2014	Rabinowitz et al.	
2014/0355969 A1	12/2014	Stern	
2014/0360516 A1	12/2014	Liu	
2015/0020827 A1	1/2015	Liu	

2015/0020828 A1	1/2015	Liu	
2015/0027470 A1	1/2015	Kane et al.	
2015/0059784 A1	3/2015	Liu	
2015/0144148 A1 *	5/2015	Chen	A24F 47/008 131/329
2015/0150307 A1	6/2015	Liu	
2015/0196059 A1	7/2015	Liu	
2015/0208726 A1	7/2015	Liu	
2015/0245657 A1	9/2015	Memari et al.	
2015/0296889 A1	10/2015	Liu	
2015/0328415 A1	11/2015	Minskoff et al.	
2015/0332379 A1	11/2015	Alarcon	
2016/0150823 A1 *	6/2016	Liu	H05B 3/46 131/328

FOREIGN PATENT DOCUMENTS

CN	202890464 U	4/2013
WO	WO-2013089358 A1	6/2013
WO	WO-20140270730	9/2014

OTHER PUBLICATIONS

Mouthpiece of Smoking Article | Nikotek 3pk Cartridge | Metro, post date N/A, @ 2015 metroecigs.com, [online], [site visited Nov. 24, 2015], Available from Internet, <http://www.metroecigs.com/product/metromentholnicotinecartridges.asp>.

Mouthpiece of Smoking Article | V2 Cigs Blue | Ecigarette Reviewed | post date Mar. 24, 2014 © 2015 ecigaretterevied.com, [online], [site visited Nov. 24, 2015] Available from Internet, <http://ecigaretterevied.com/blu-cigs-review/>.

"Smokio: Smart Wireless E-cigarette," <http://www.premium-lifestyle.com.uk/products/smokio-smart-wireless-e-cigarette>.

About Electronic Cigarettes/ Vapor Cigarettes/E-cigs <https://www.vapinapes.com/about-vapor-cigarettes/>.

Supersmoke: The Latest Supersmoker Bluetooth, <http://www.supersmokerbluetooth.com/>.

Kosmo, <https://www.indiegogo.com/projects/kosmo-ecigarette>.

<<http://www.kelvin.en.made-in-china.com/productimage/FghEJNdCeOVw-2flj00KeBtCALgEjYE/China-High-Quality-Triangular-Trimark-E-Cigarette.html>> copyright 2015, Focus Technology Co., Ltd.

Notice of Allowance for corresponding U.S. Appl. No. 29/531/410 dated Mar. 25, 2016.

Notice of Allowance for corresponding U.S. Appl. No. 29/531,427 dated Apr. 5, 2016.

Notice of Allowance for corresponding U.S. Appl. No. 29/527,151 dated Mar. 30, 2016.

Non-Final Office Action for corresponding U.S. Appl. No. 29/527,153 dated Mar. 28, 2016.

Notice of Allowance for corresponding U.S. Appl. No. 29/527,149 dated Apr. 11, 2016.

Notice of Allowance for corresponding U.S. Appl. No. 29/531,410 dated May 26, 2016.

Notice of Allowance for corresponding U.S. Appl. No. 29/527,149 dated Jun. 8, 2016.

Notice of Allowance for corresponding U.S. Appl. No. 29/531,427 dated Jun. 2, 2016.

Notice of Allowance for corresponding U.S. Appl. No. 29/527,151 dated May 25, 2016.

* cited by examiner

Primary Examiner — Susan Bennett Hattan
Assistant Examiner — Jennifer Wright
 (74) *Attorney, Agent, or Firm* — Harness, Dickey & Pierce, P.L.C.

(57) **CLAIM**

The ornamental design for a mouthpiece of a smoking article, as shown and described.

DESCRIPTION

FIG. 1 is a perspective view of a mouthpiece of a smoking article showing our new design.

FIG. 2 is a side elevational view thereof; and,
FIG. 3 is a right end elevational view thereof.
The broken lines depict portions of the mouthpiece of a
smoking article and form no part of the claimed design.

1 Claim, 2 Drawing Sheets

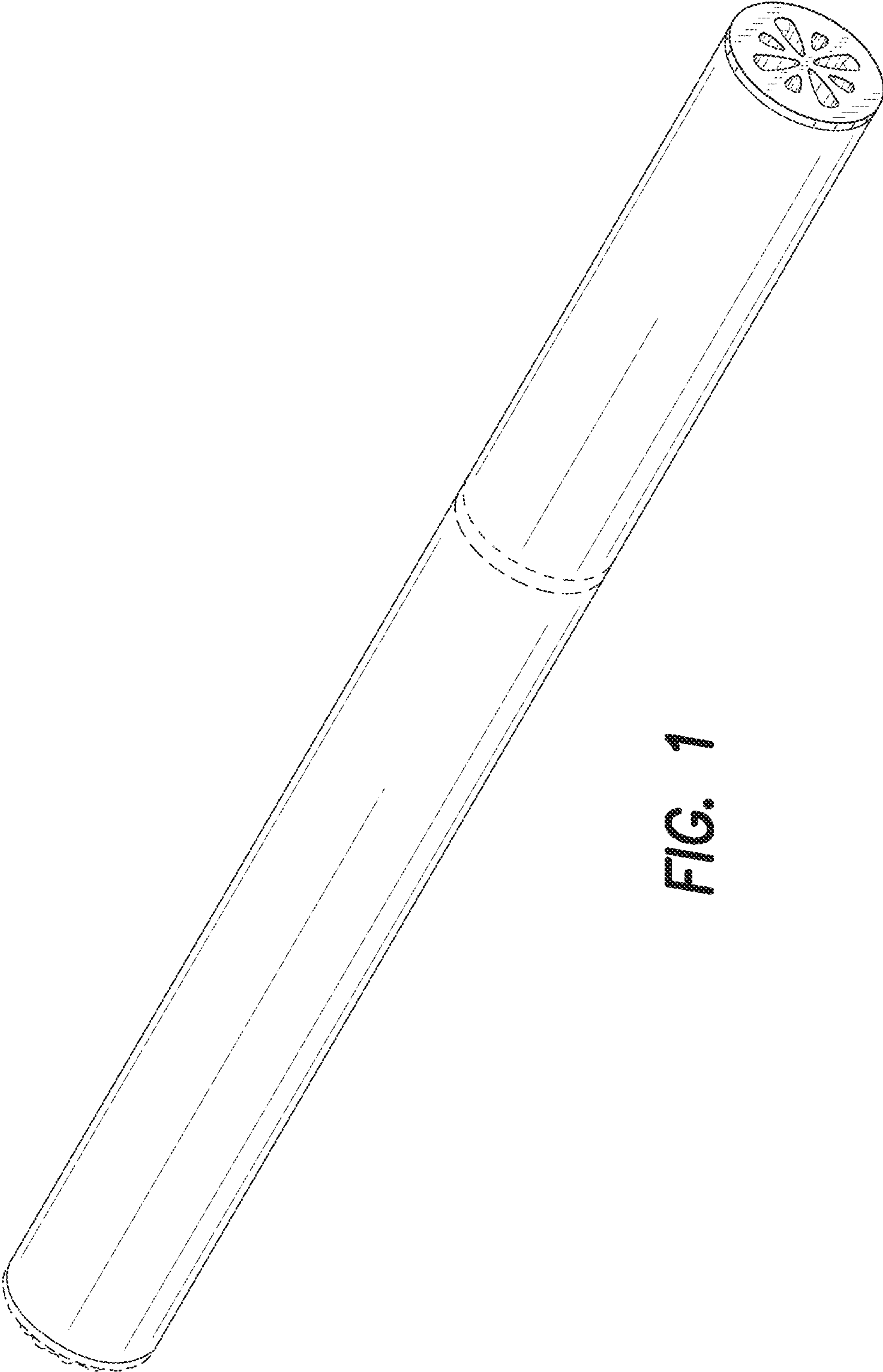


FIG. 1

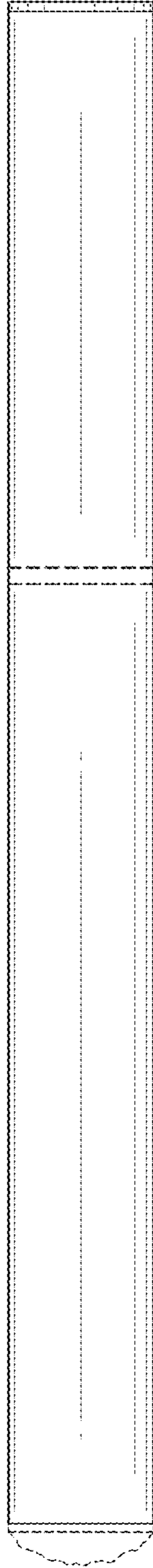


FIG. 2

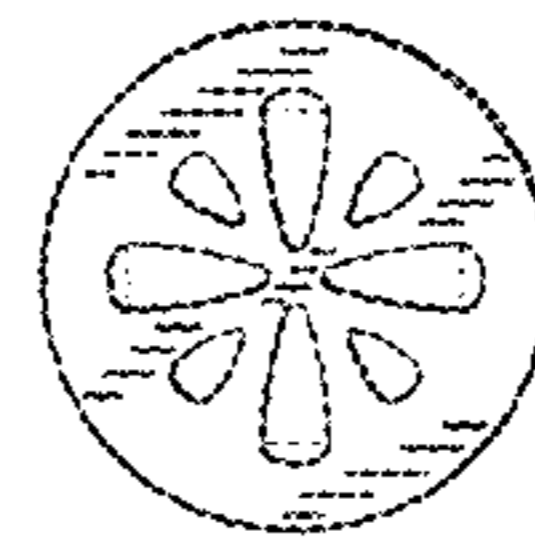


FIG. 3