



US00D802206S

(12) **United States Design Patent** (10) **Patent No.:** **US D802,206 S**
Huang et al. (45) **Date of Patent:** **** Nov. 7, 2017**

(54) **ELECTRONIC VAPORIZER**
(71) Applicants: **Devin Huang**, Shenzhen (CN);
Handsome Zheng, Shenzhen (CN);
Emanuel Lau, Shenzhen (CN); **Ray Long**, Shenzhen (CN)
(72) Inventors: **Devin Huang**, Shenzhen (CN);
Handsome Zheng, Shenzhen (CN);
Emanuel Lau, Shenzhen (CN); **Ray Long**, Shenzhen (CN)
(73) Assignee: **ATMOS NATION LLC**, Davie, FL (US)

D629,154 S * 12/2010 Sung D27/154
D644,725 S * 9/2011 Kim D23/366
D654,160 S * 2/2012 Yomtov D23/360
D705,918 S 5/2014 Robinson et al.
D748,325 S * 1/2016 Leidel D27/163
D753,336 S * 4/2016 Chen D27/101
D758,656 S * 6/2016 Freshwater D27/163
D770,680 S * 11/2016 Bennett D27/189
D771,309 S * 11/2016 Ward D27/167
D771,867 S * 11/2016 Leidel D27/163
D772,477 S * 11/2016 Shin D27/163
D775,414 S * 12/2016 Ampolini D13/108
D775,762 S * 1/2017 Chen D27/101
D779,726 S * 2/2017 Bennett D27/189
D780,373 S * 2/2017 Bennett D27/186

(Continued)

(**) Term: **15 Years**
(21) Appl. No.: **29/553,565**
(22) Filed: **Feb. 3, 2016**
(51) **LOC (10) Cl.** **27-01**
(52) **U.S. Cl.**
USPC **D27/101**
(58) **Field of Classification Search**
USPC D27/100, 101, 162, 163-169, 172, 175,
D27/186, 189, 193, 194, 195, 136, 137,
D27/138
CPC .. A24F 47/008; A24F 5/00; A24F 7/02; A24F
3/00; A24F 47/002; A24F 15/12; A24F
15/18
See application file for complete search history.

(56) **References Cited**

U.S. PATENT DOCUMENTS

D368,552 S * 4/1996 Adams D27/194
D411,332 S * 6/1999 Zelenik D27/187
D416,106 S * 11/1999 Rennecamp D27/186
D422,113 S * 3/2000 Higgins D27/186
D433,532 S * 11/2000 Higgins D27/186
D547,859 S * 7/2007 Choi D24/113
D577,150 S * 9/2008 Bryman D27/163

OTHER PUBLICATIONS

<https://i.ytimg.com/vi/Jm06zW3-cxQ/maxresdefault.jpg>
(Continued)

Primary Examiner — Robert M Spear
Assistant Examiner — Marissa J Cash
(74) *Attorney, Agent, or Firm* — Raj Abhyanker, P.C.

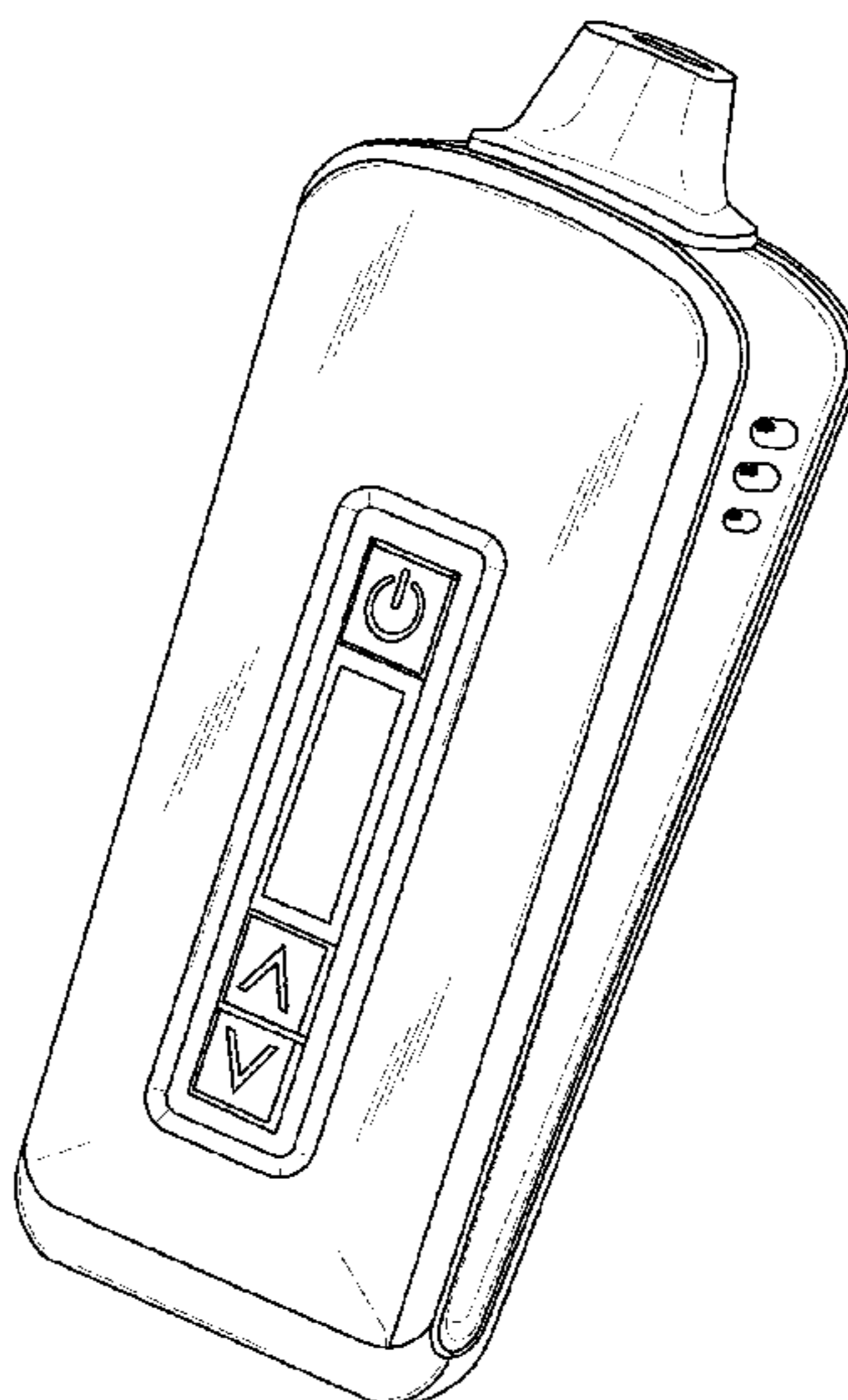
(57) **CLAIM**

The ornamental design for an electronic vaporizer, as shown and described.

DESCRIPTION

FIG. 1 is a right front perspective view for an electronic vaporizer, showing my new design;
FIG. 2 is a front elevational view thereof;
FIG. 3 is a rear elevational view thereof;
FIG. 4 is a left side elevational view thereof;
FIG. 5 is a right side elevational view thereof;
FIG. 6 is a top plan view thereof; and,
FIG. 7 is a bottom plan view thereof.
The broken lines depict unclaimed subject matter of the design and form no part of the claimed design.

1 Claim, 7 Drawing Sheets



(56)

References Cited

U.S. PATENT DOCUMENTS

2008/0121244 A1* 5/2008 Bryman A24F 47/004
131/328
2013/0042865 A1 2/2013 Monsees et al.
2015/0053217 A1* 2/2015 Steingraber A24F 47/008
131/329
2017/0119044 A1* 5/2017 Oligschlaeger A24F 15/00

OTHER PUBLICATIONS

<http://afgdistribution.com/media/catalog/product/cache/1/image/1000x/9df78eab33525d08d6e5fb8d27136e95/v/1/v151extra3.jpg>.
http://www.tostechology.com/photo/pl1775222-2014_new_innovation_dry_herb_titan_2_vaporizer_electronic_cigarette_hebe_hottest_dry_herb.jpg.
<https://quitsmokingcommunity.org/wp-content/uploads/2015/02/pinnacle-pro-portable-vaporizer.png>.
<http://personalweedvaporizers.com/wp-content/uploads/2014/12/pinnacle-pro-vaporizer.png>.
<http://www.vapepartsmart.com/wp-content/uploads/2015/02/titan-handheld-vaporizer.jpg>.

* cited by examiner

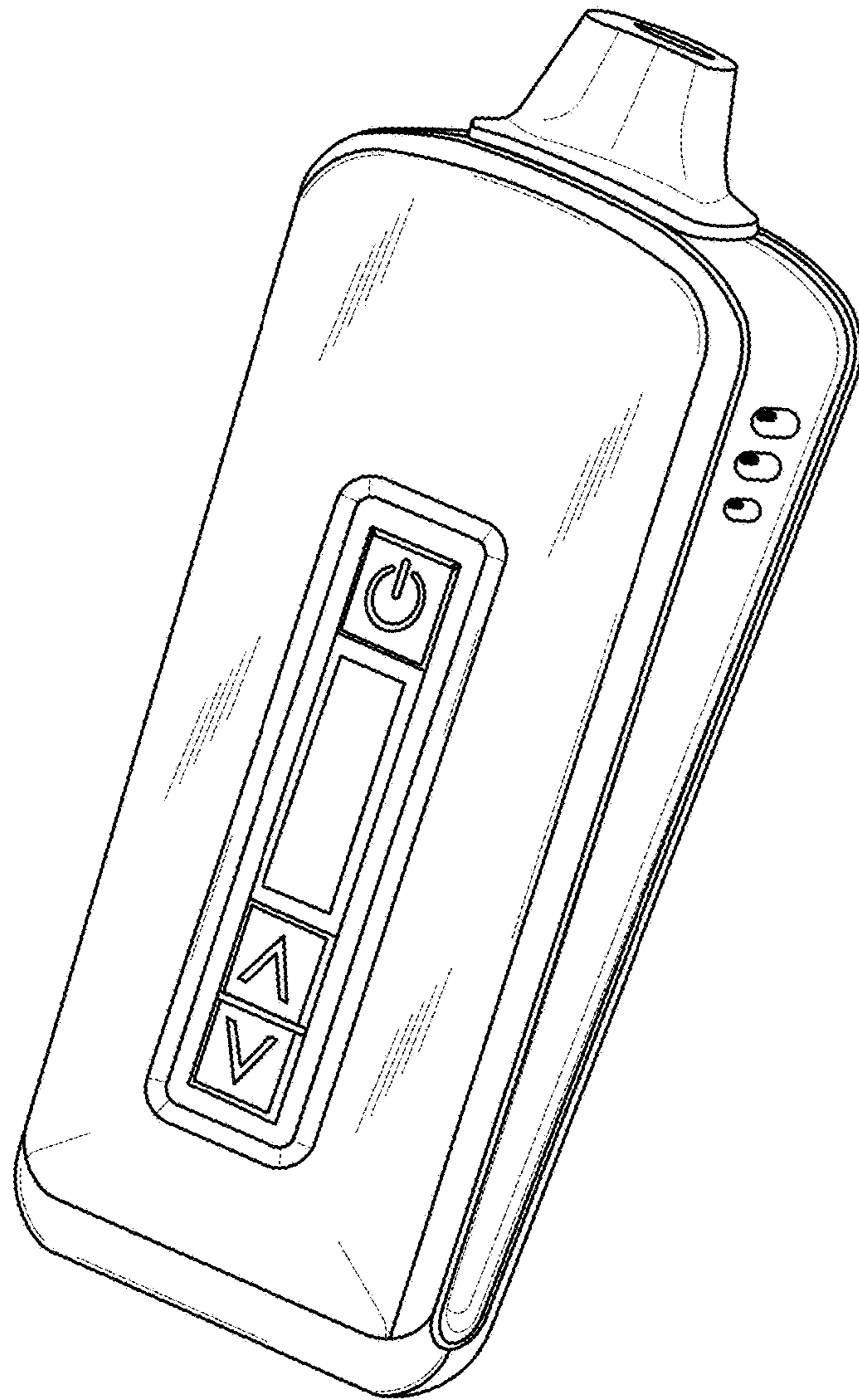


FIG. 1

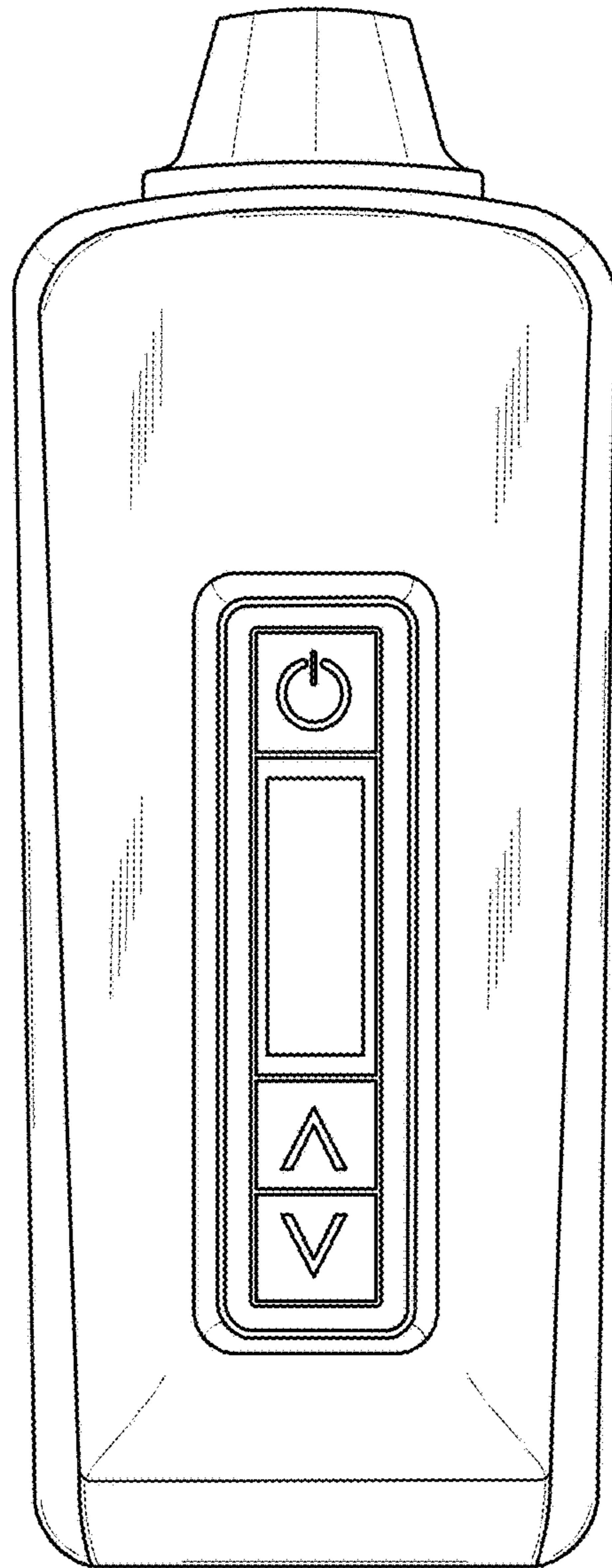


FIG. 2

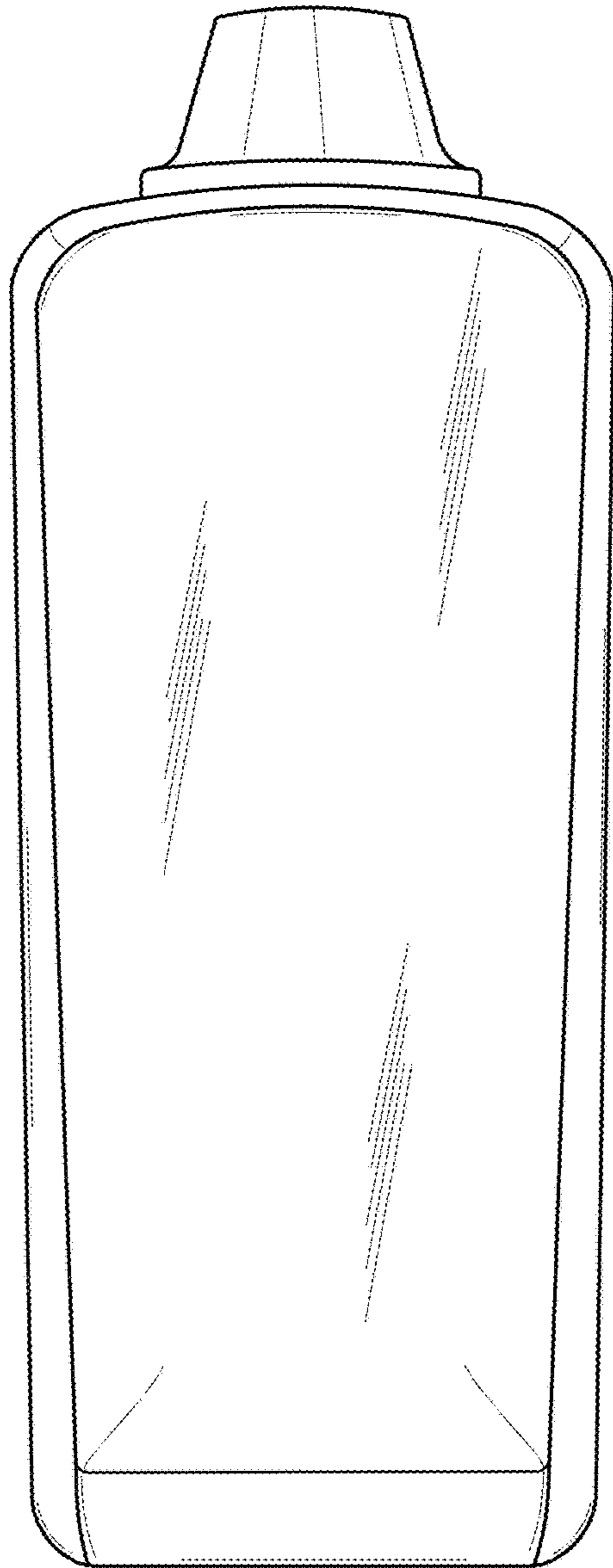


FIG. 3

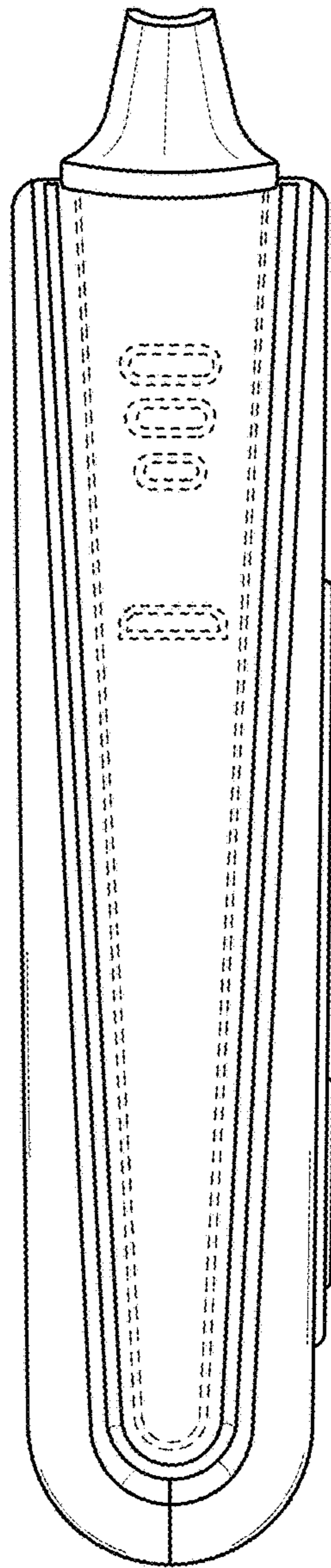


FIG. 4

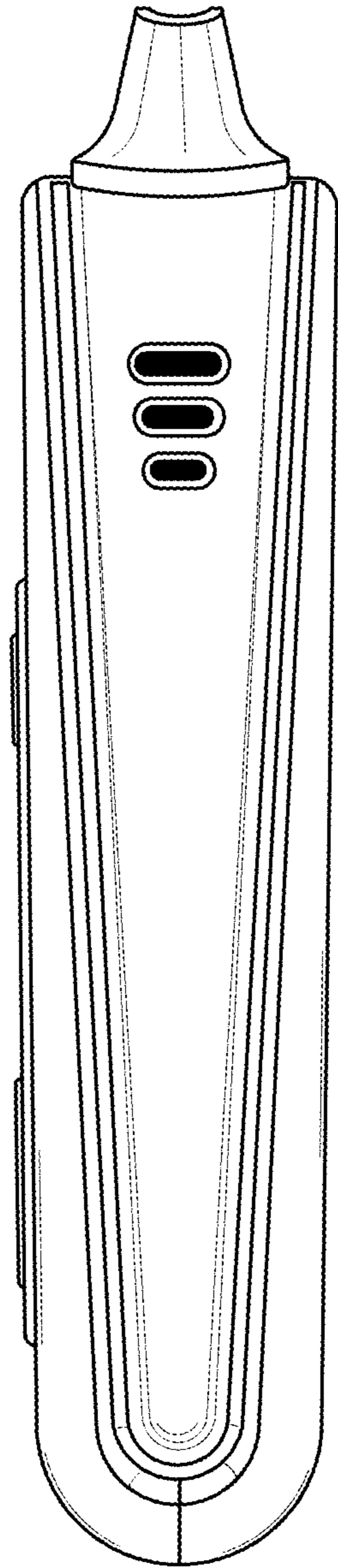


FIG. 5

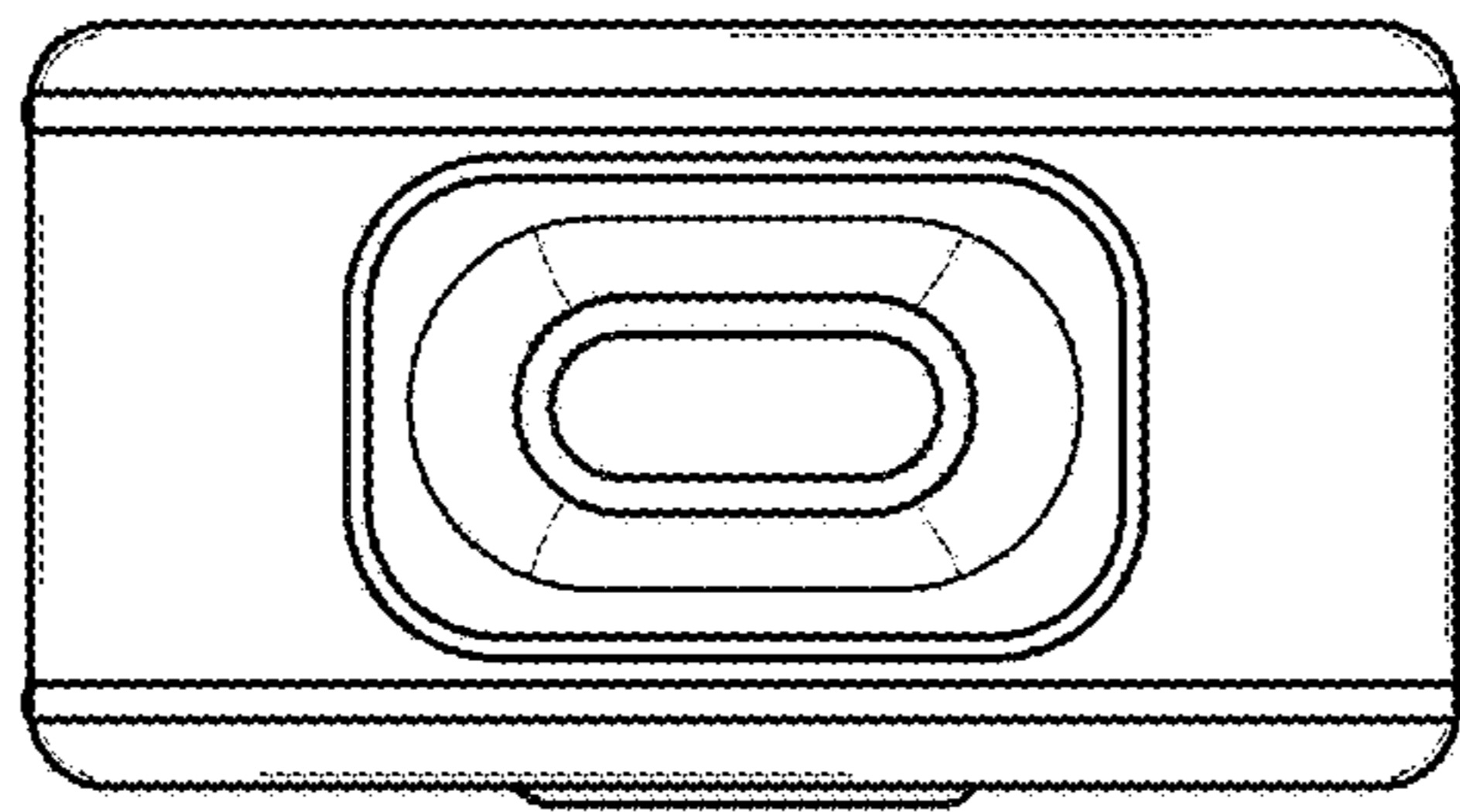


FIG. 6

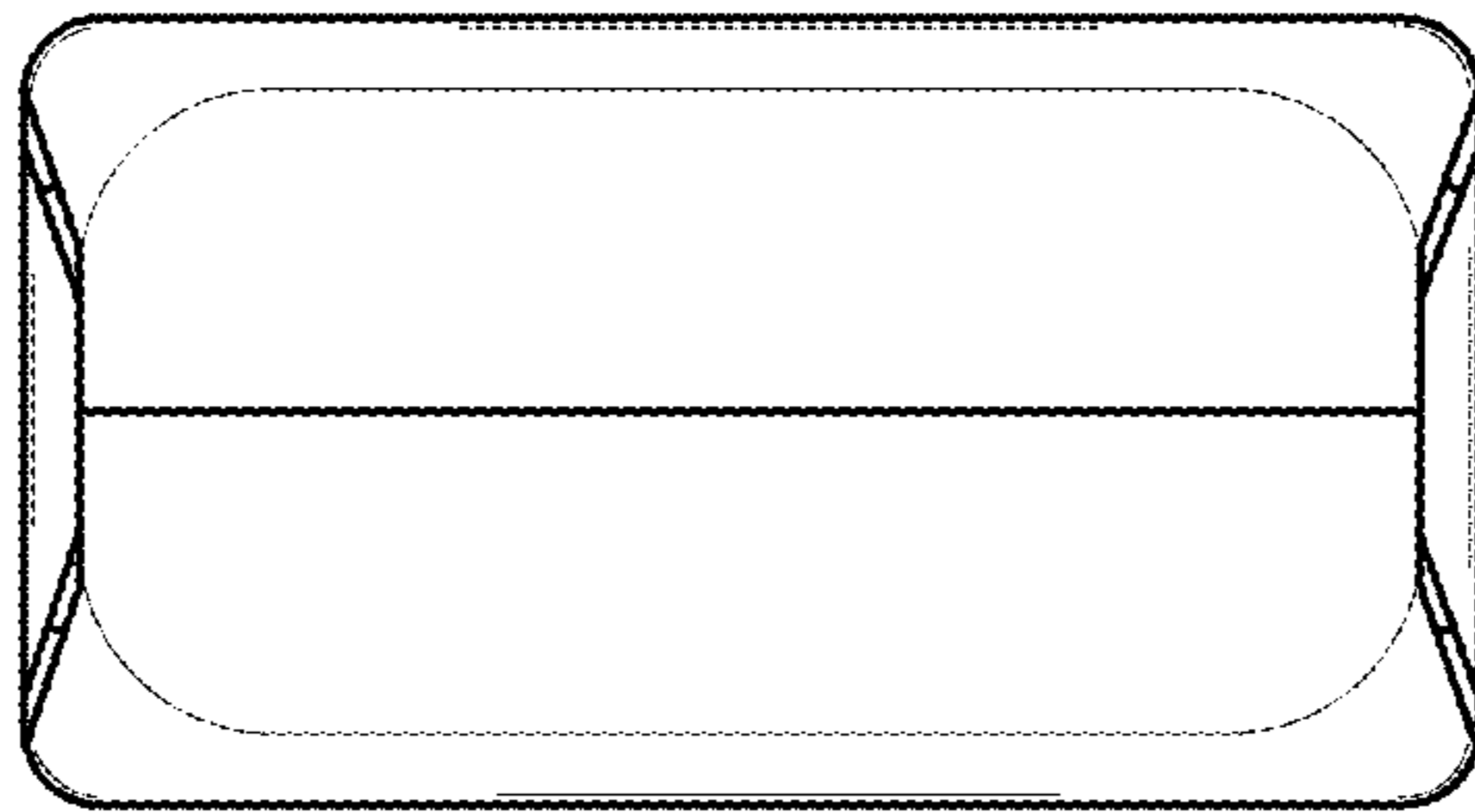


FIG. 7