



US00D802202S

(12) **United States Design Patent**
Zahn

(10) **Patent No.:** **US D802,202 S**

(45) **Date of Patent:** **** Nov. 7, 2017**

(54) **LIGHTING FIXTURE**

(71) Applicant: **Karl Stefan Zahn**, Brooklyn, NY (US)

(72) Inventor: **Karl Stefan Zahn**, Brooklyn, NY (US)

(**) Term: **15 Years**

(21) Appl. No.: **29/571,877**

(22) Filed: **Jul. 22, 2016**

(51) **LOC (10) Cl.** **26-03**

(52) **U.S. Cl.**
USPC **D26/108**

(58) **Field of Classification Search**

USPC D26/24, 93, 3, 108
CPC F21S 6/00; F21S 6/002; F21S 6/004; F21S
6/006; F21S 8/00; F21S 10/00; F21V
21/02; F21W 2131/30; F21Y 2105/00

See application file for complete search history.

(56) **References Cited**

U.S. PATENT DOCUMENTS

D396,316 S * 7/1998 Wang D26/107
D509,013 S * 8/2005 Opolka D26/107
D607,141 S * 12/2009 Huang D26/107
D698,984 S * 2/2014 Meise D26/107

D760,941 S * 7/2016 Dixon D26/107
D766,494 S * 9/2016 Hoshikawa D26/107
D780,369 S * 2/2017 Anastassiades D26/107

* cited by examiner

Primary Examiner — Brian N Vinson

(74) *Attorney, Agent, or Firm* — Timothy W. Menasco,
Esq.; Harter Secrest & Emery LLP

(57) **CLAIM**

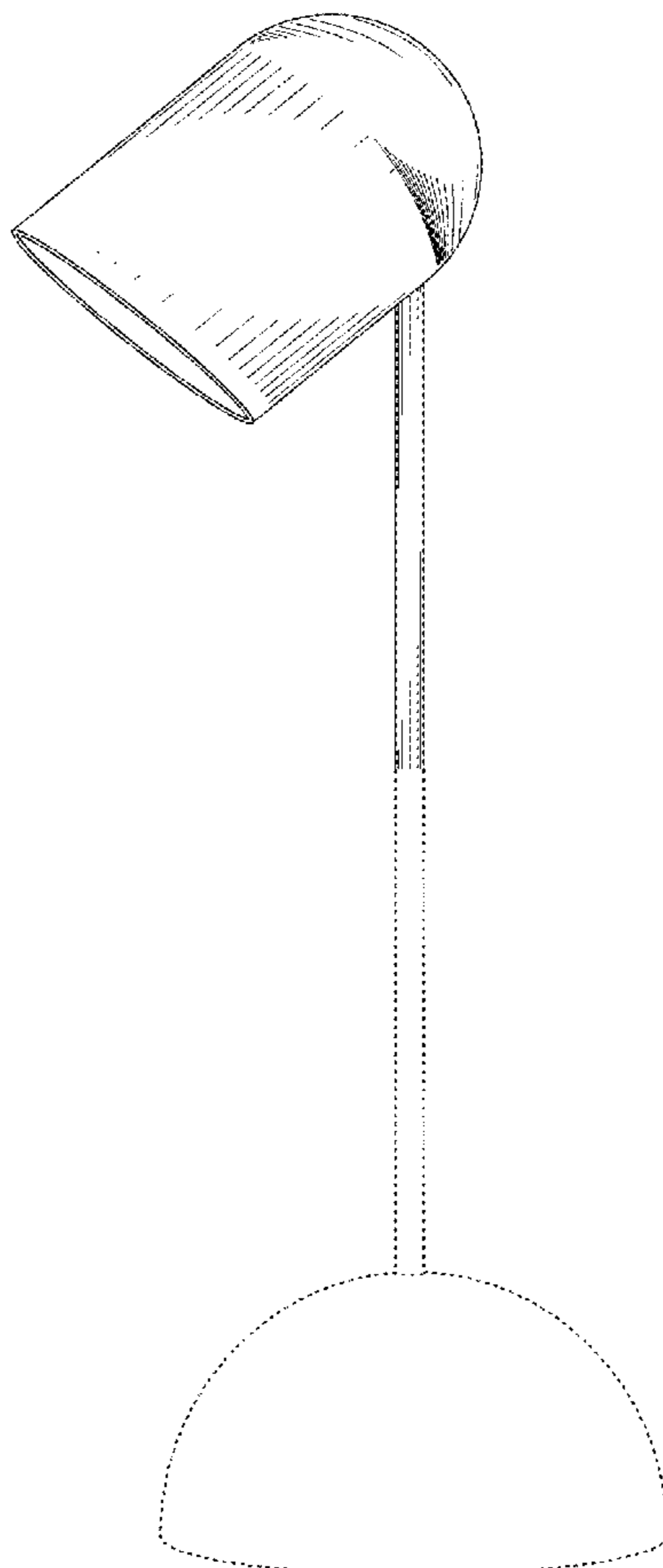
The ornamental design of a lighting fixture, as shown and described.

DESCRIPTION

FIG. 1 is a front perspective view of a lighting fixture in accordance with the present invention;
FIG. 2 is a front view thereof;
FIG. 3 is a right side view thereof;
FIG. 4 is a rear view thereof;
FIG. 5 is a left side view thereof;
FIG. 6 is a top view thereof; and,
FIG. 7 is a bottom view thereof.

The lighting fixture is not limited to the scale shown herein. The broken lines of the Figures are for illustrative purposes only and form no part of the claimed design.

1 Claim, 6 Drawing Sheets



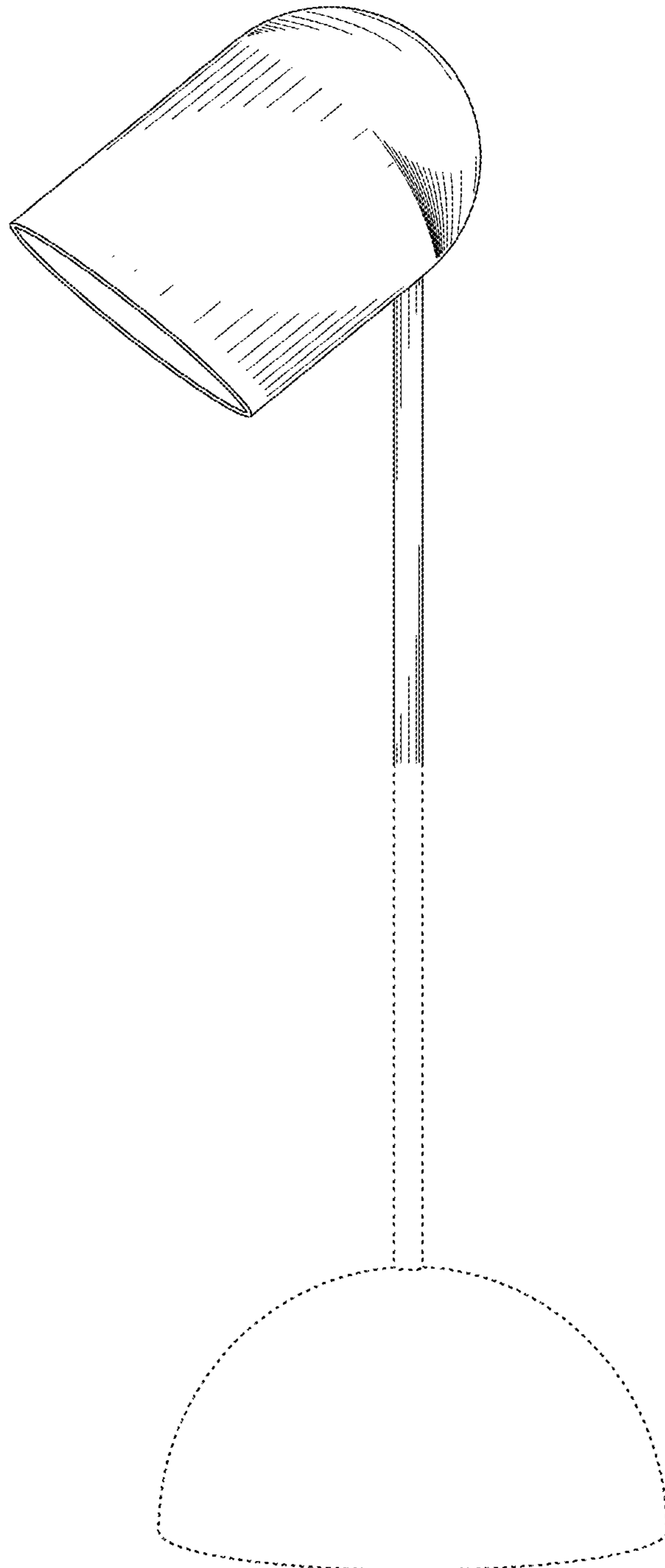


FIG. 1

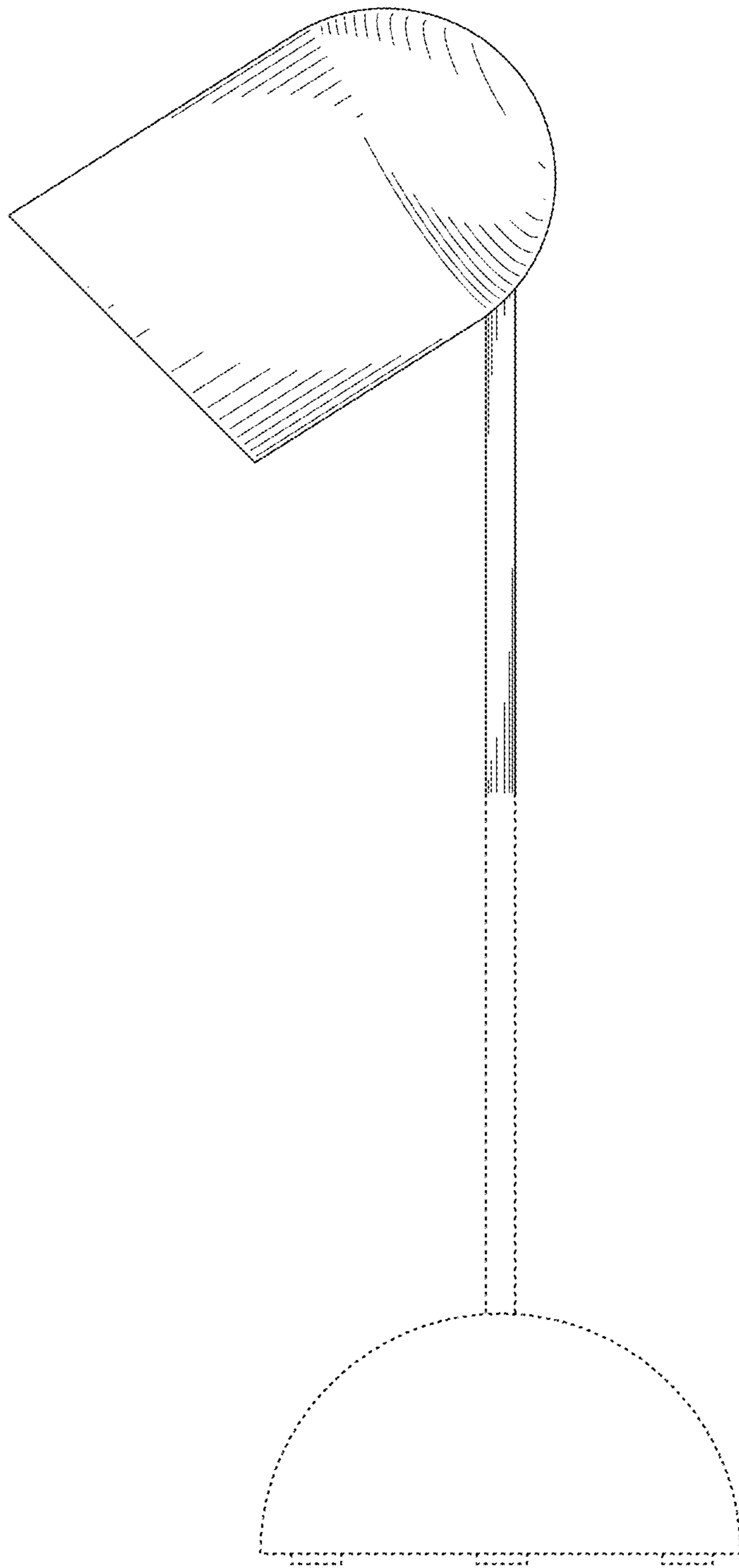


FIG. 2

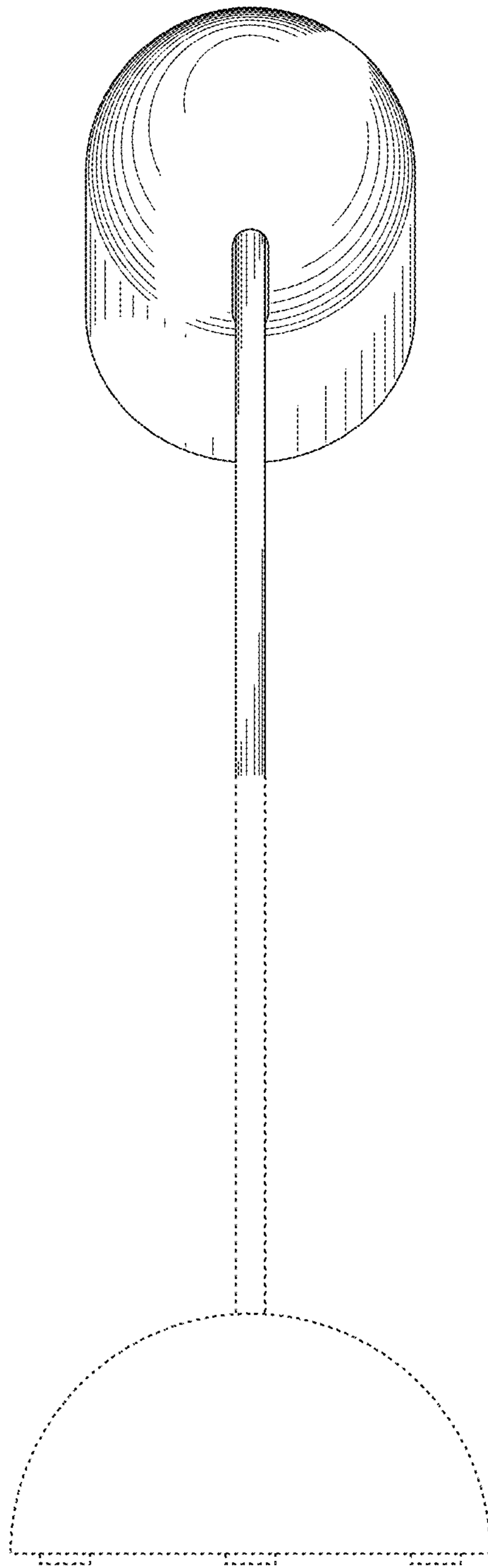


FIG. 3

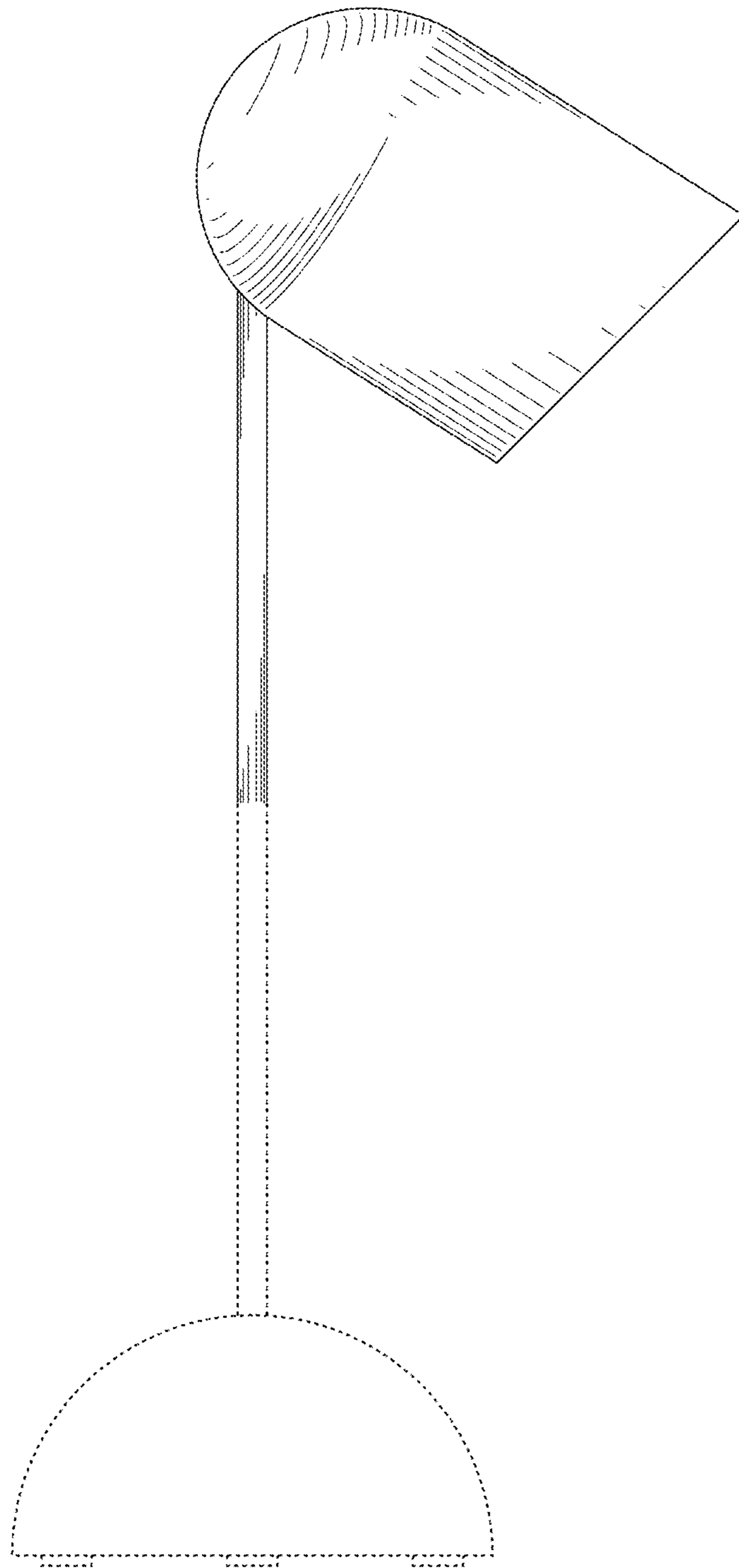


FIG. 4

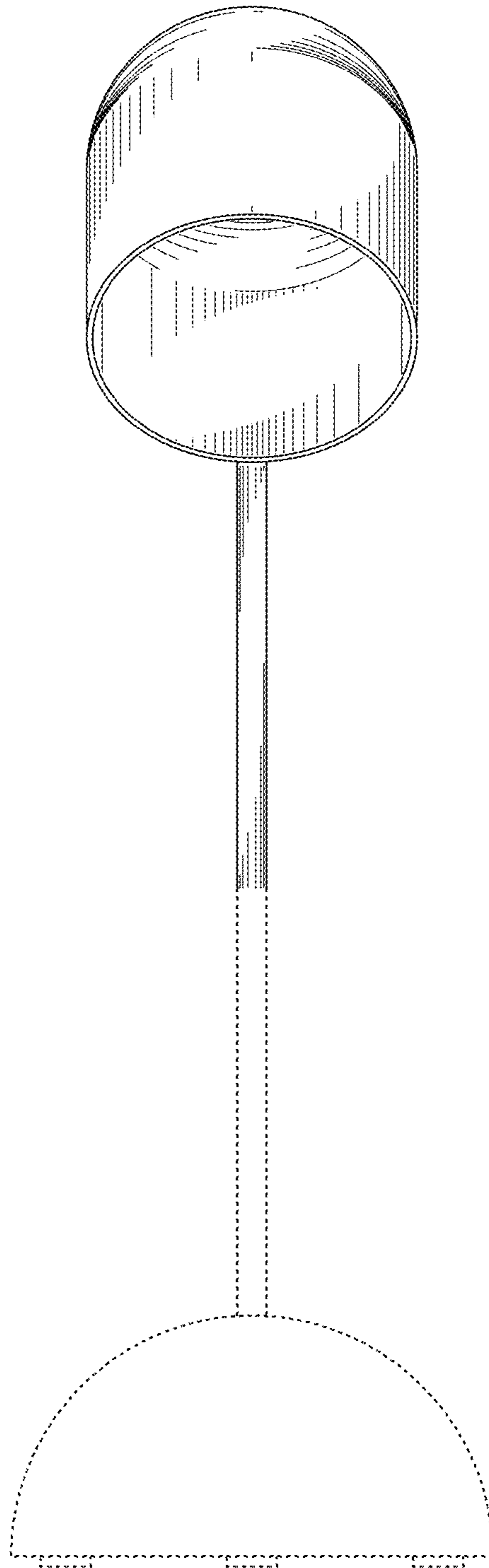


FIG. 5

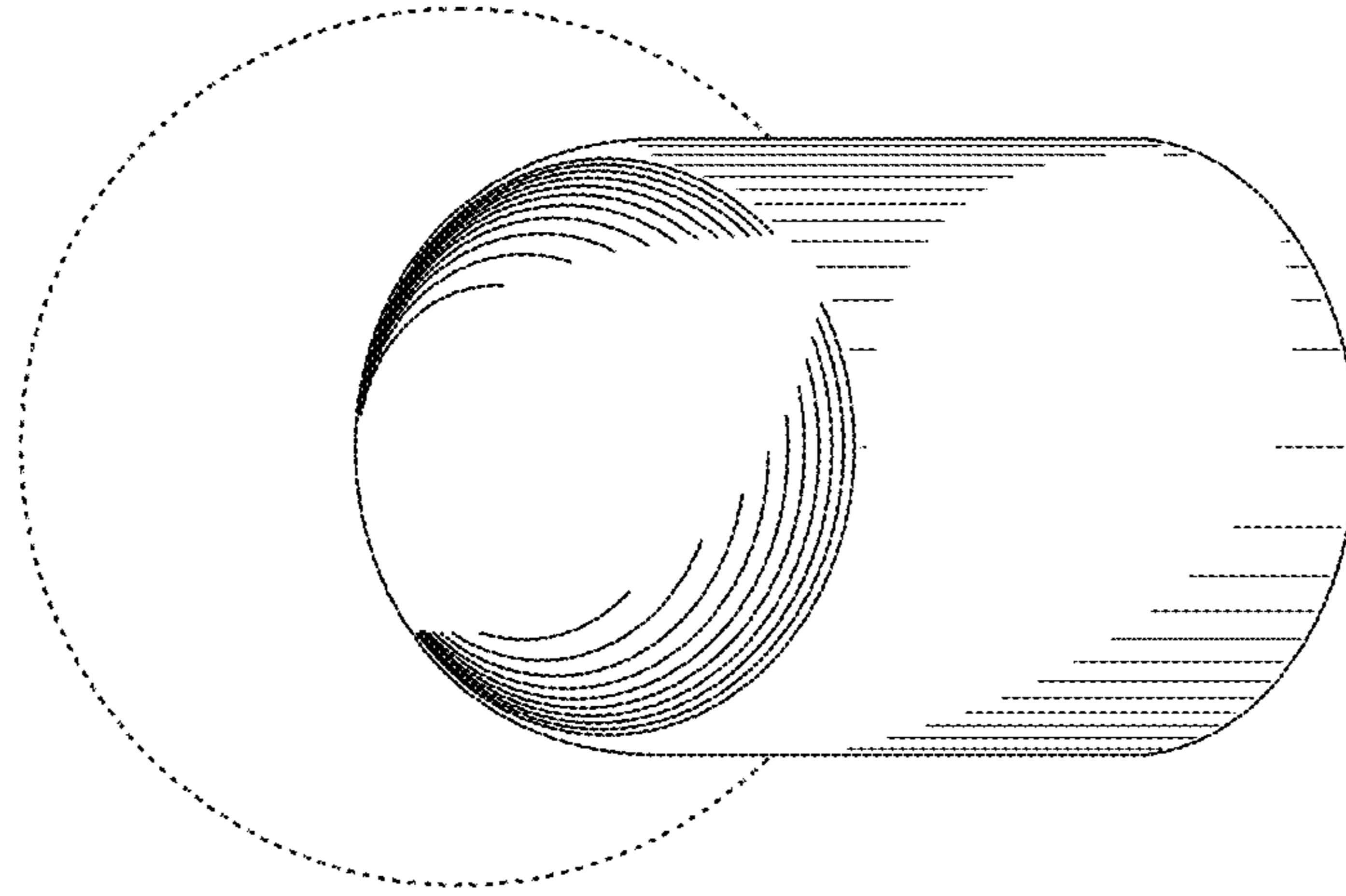


FIG. 6

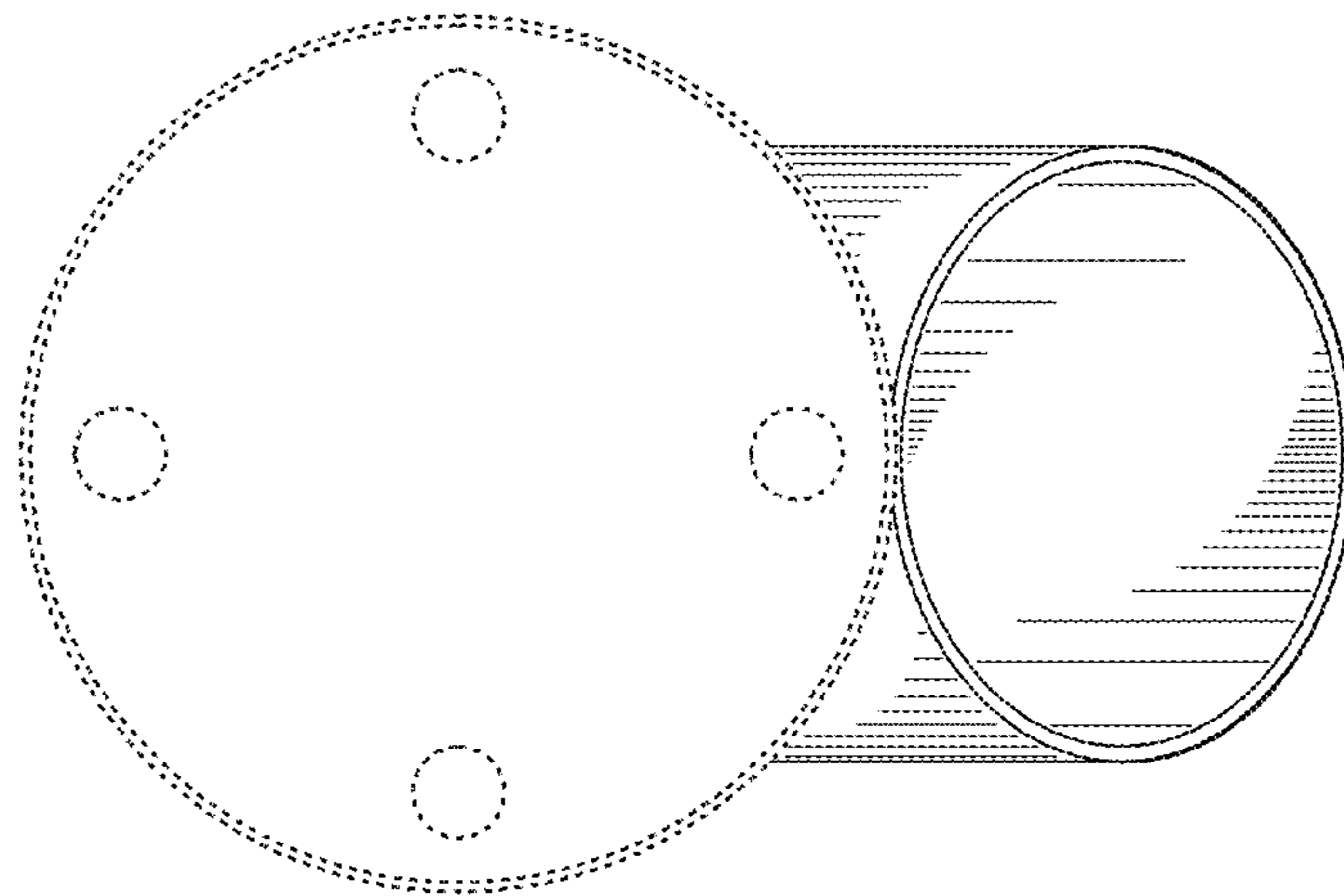


FIG. 7