



US00D802201S

(12) **United States Design Patent** (10) **Patent No.:** **US D802,201 S**  
**Xu** (45) **Date of Patent:** **\*\* Nov. 7, 2017**

(54) **LAMP**

(71) Applicant: **Guangdong BESTEK E-commerce Co., Ltd., Shenzhen (CN)**

(72) Inventor: **Xinhua Xu, Shenzhen (CN)**

(73) Assignee: **Guangdong BESTEK E-commerce Co., Ltd., Shenzhen (CN)**

(\*\*) Term: **15 Years**

(21) Appl. No.: **29/588,929**

(22) Filed: **Dec. 24, 2016**

(30) **Foreign Application Priority Data**

Dec. 1, 2016 (CN) ..... 2016 3 0587285

(51) **LOC (10) Cl.** ..... **26-03**

(52) **U.S. Cl.**  
USPC ..... **D26/107**

(58) **Field of Classification Search**  
USPC ..... D26/1, 24, 61, 63, 65, 85, 93, 106, 107  
CPC ..... F21V 21/14; F21V 15/01; F21V 14/02;  
F21V 21/30; F21V 21/00; F21V 14/00;  
F21S 8/00; F21S 8/003; F21S 8/043;  
F21Y 2105/001

See application file for complete search history.

(56) **References Cited**

U.S. PATENT DOCUMENTS

D368,549 S *	4/1996	Huang	.....	D26/107
D608,925 S *	1/2010	Hodgson	.....	D26/62
D624,231 S *	9/2010	Karim	.....	D26/93
D669,628 S *	10/2012	Huang	.....	D26/107
D673,716 S *	1/2013	Huang	.....	D26/93
D678,593 S *	3/2013	Huang	.....	D26/93

\* cited by examiner

*Primary Examiner* — Brian N Vinson

(57) **CLAIM**

The ornamental design for a lamp, as shown and described.

**DESCRIPTION**

FIG. 1 is a perspective view of the lamp showing my new design;

FIG. 2 is similar to FIG. 1, viewed from another aspect;

FIG. 3 is a front elevational view thereof;

FIG. 4 is a rear elevational view thereof;

FIG. 5 is a left side elevational view thereof;

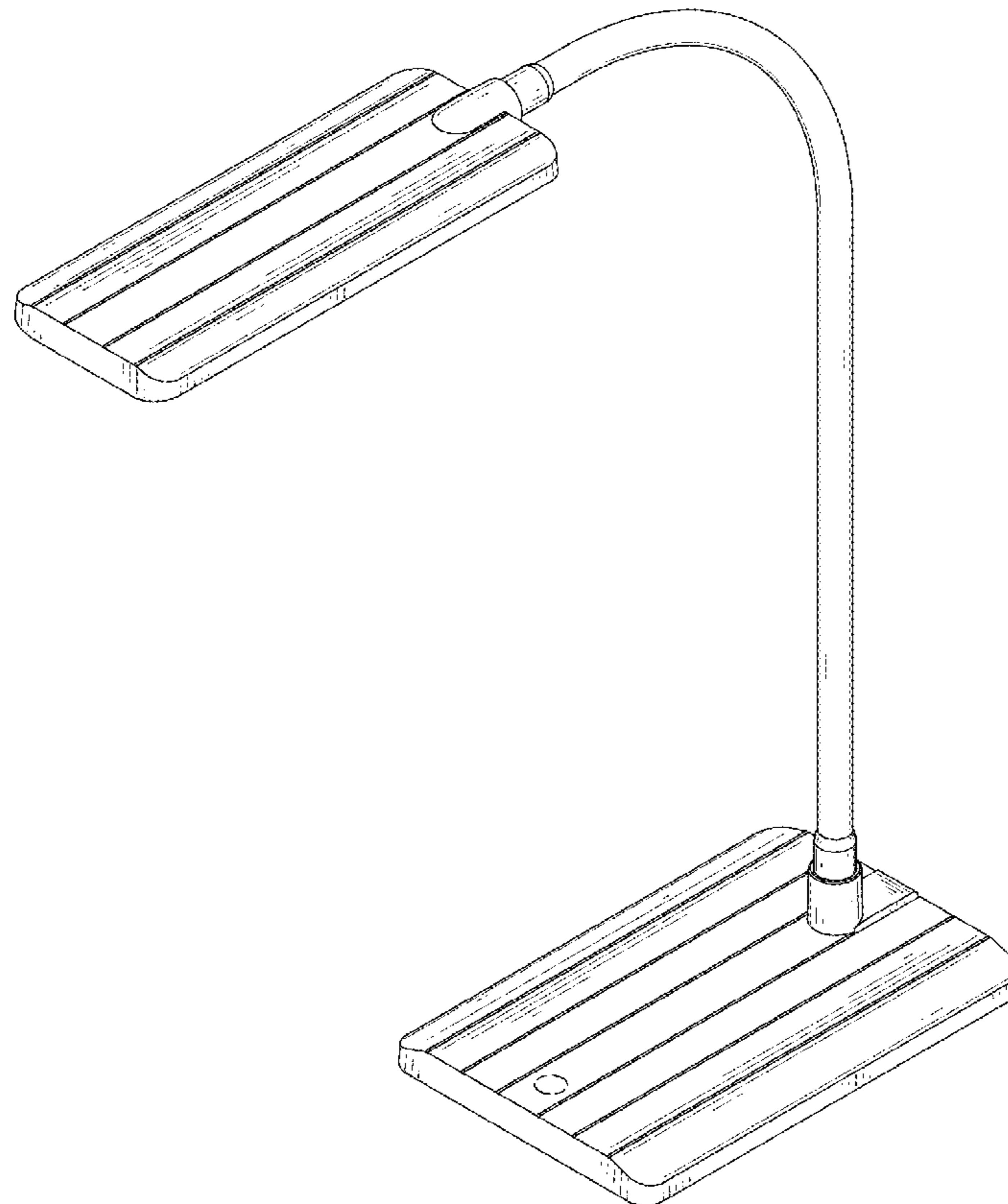
FIG. 6 is a right side elevational view thereof;

FIG. 7 is a top plan view thereof; and,

FIG. 8 is a bottom plan view thereof.

The broken lines are for the purposes of illustration portions of the lamp and form no part of the claimed design.

**1 Claim, 8 Drawing Sheets**



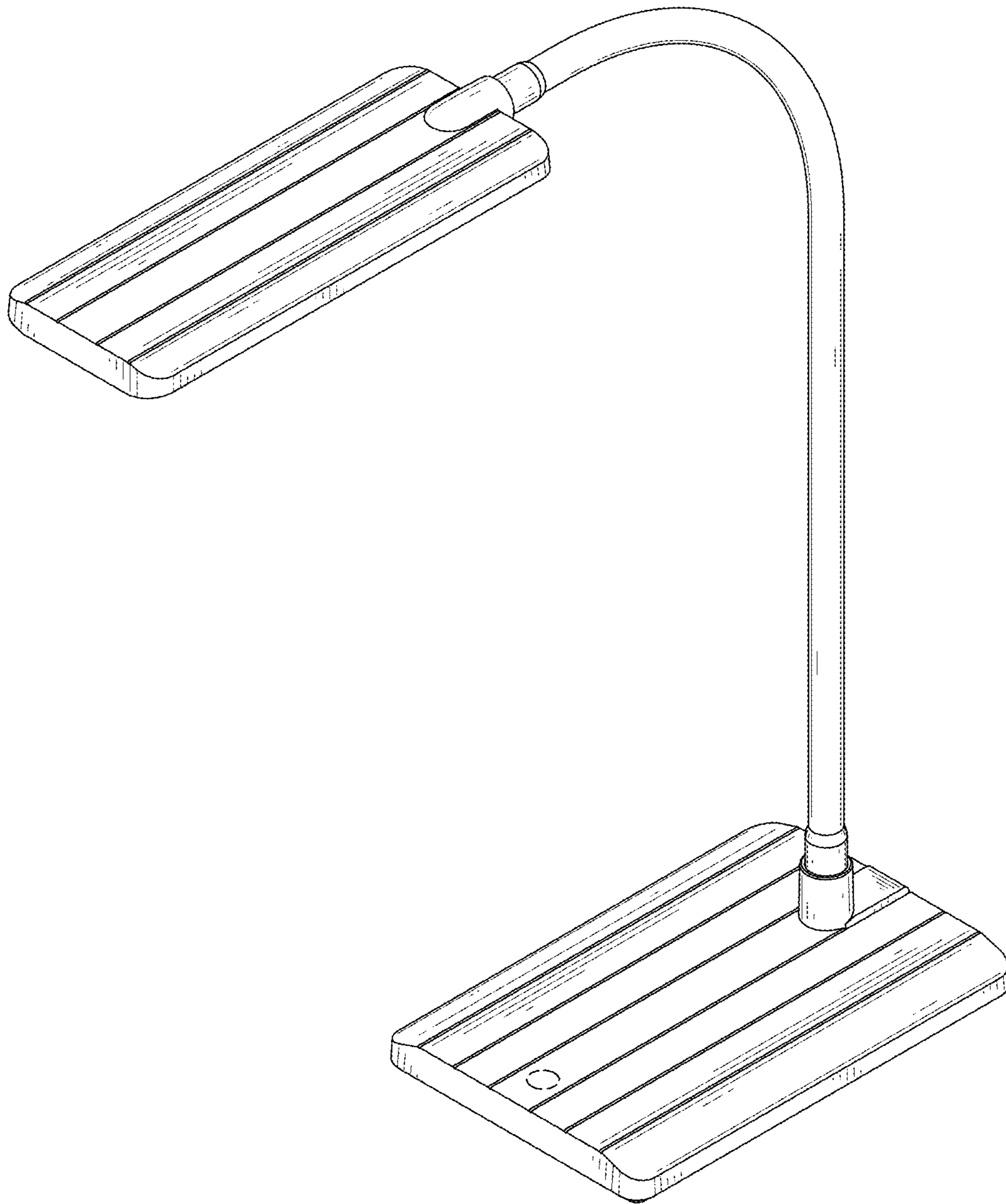


FIG. 1

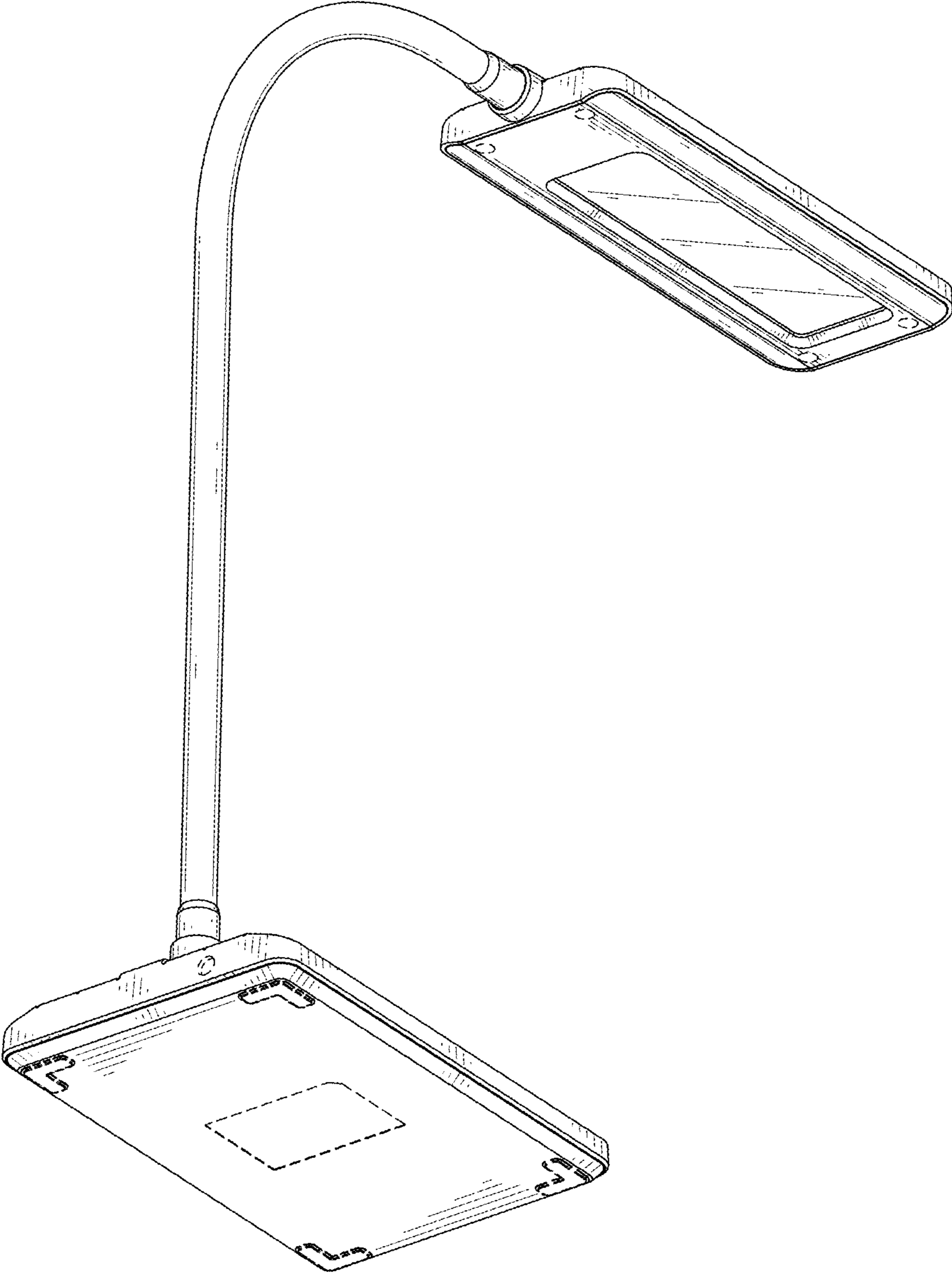


FIG. 2

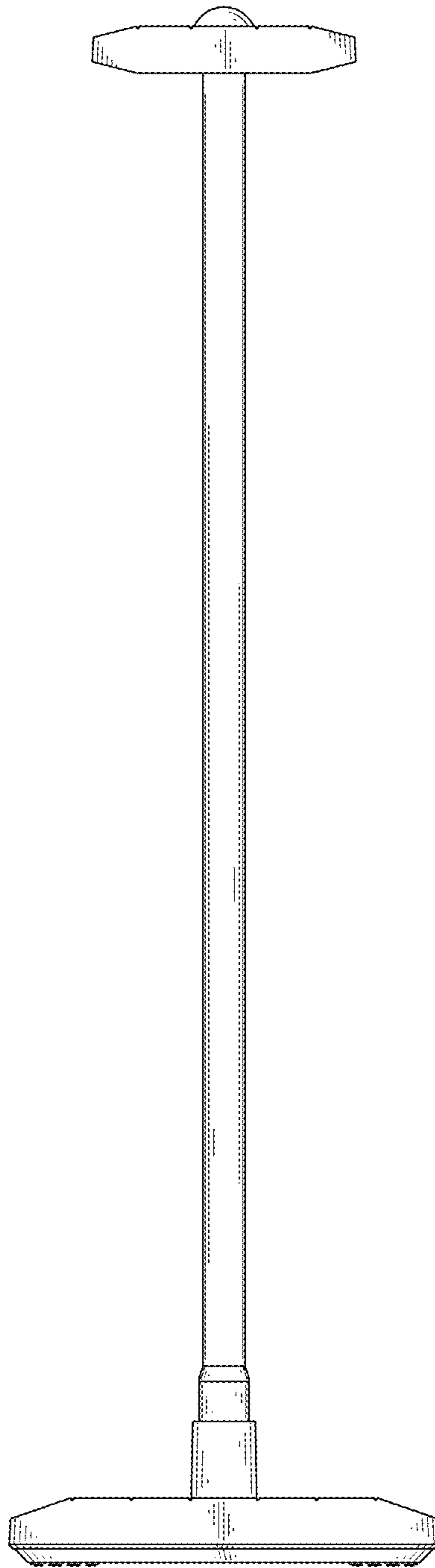


FIG. 3

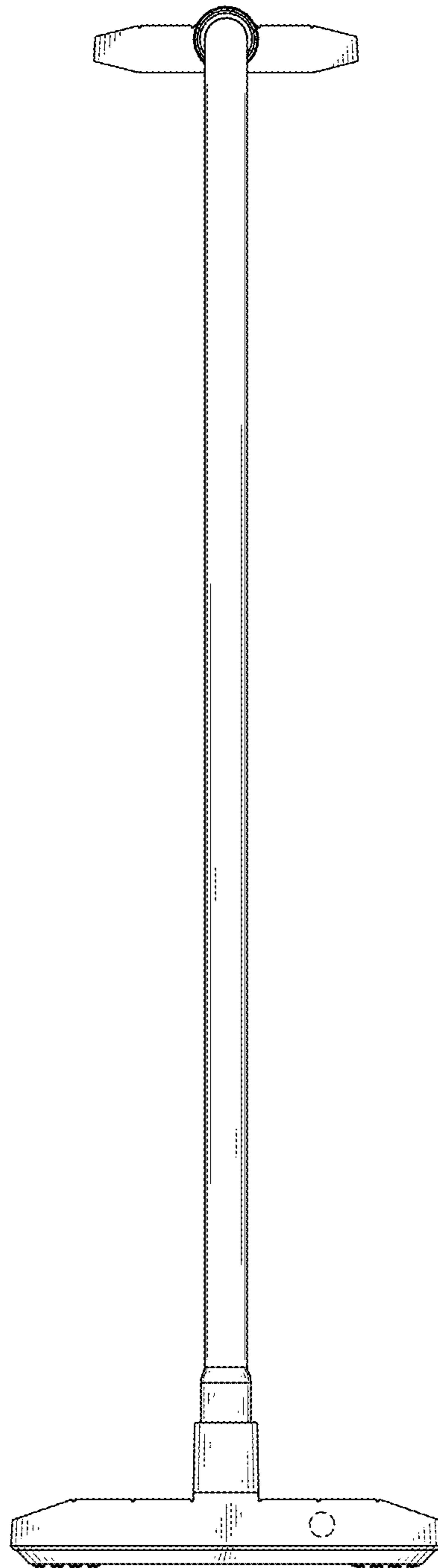


FIG. 4

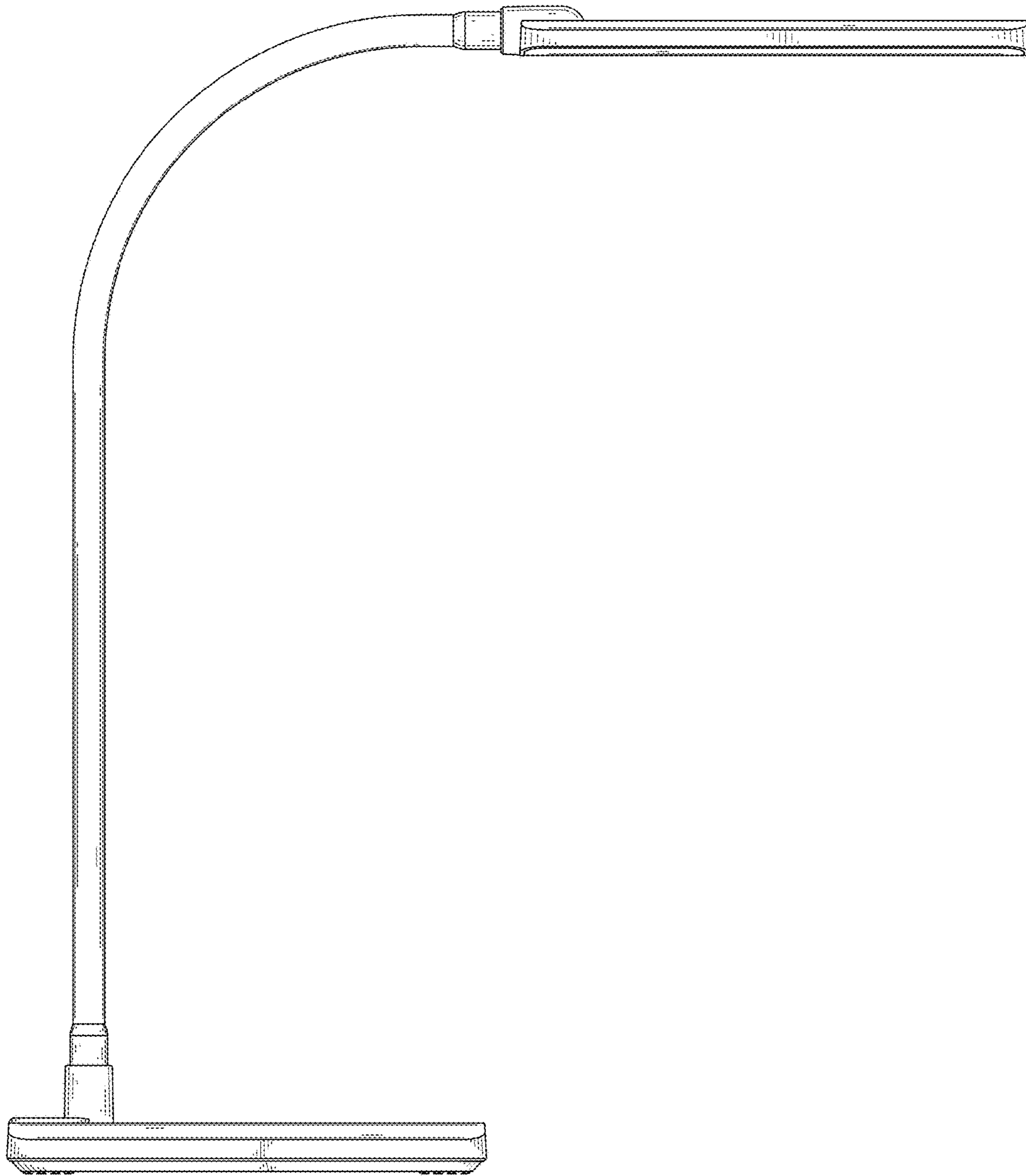


FIG. 5

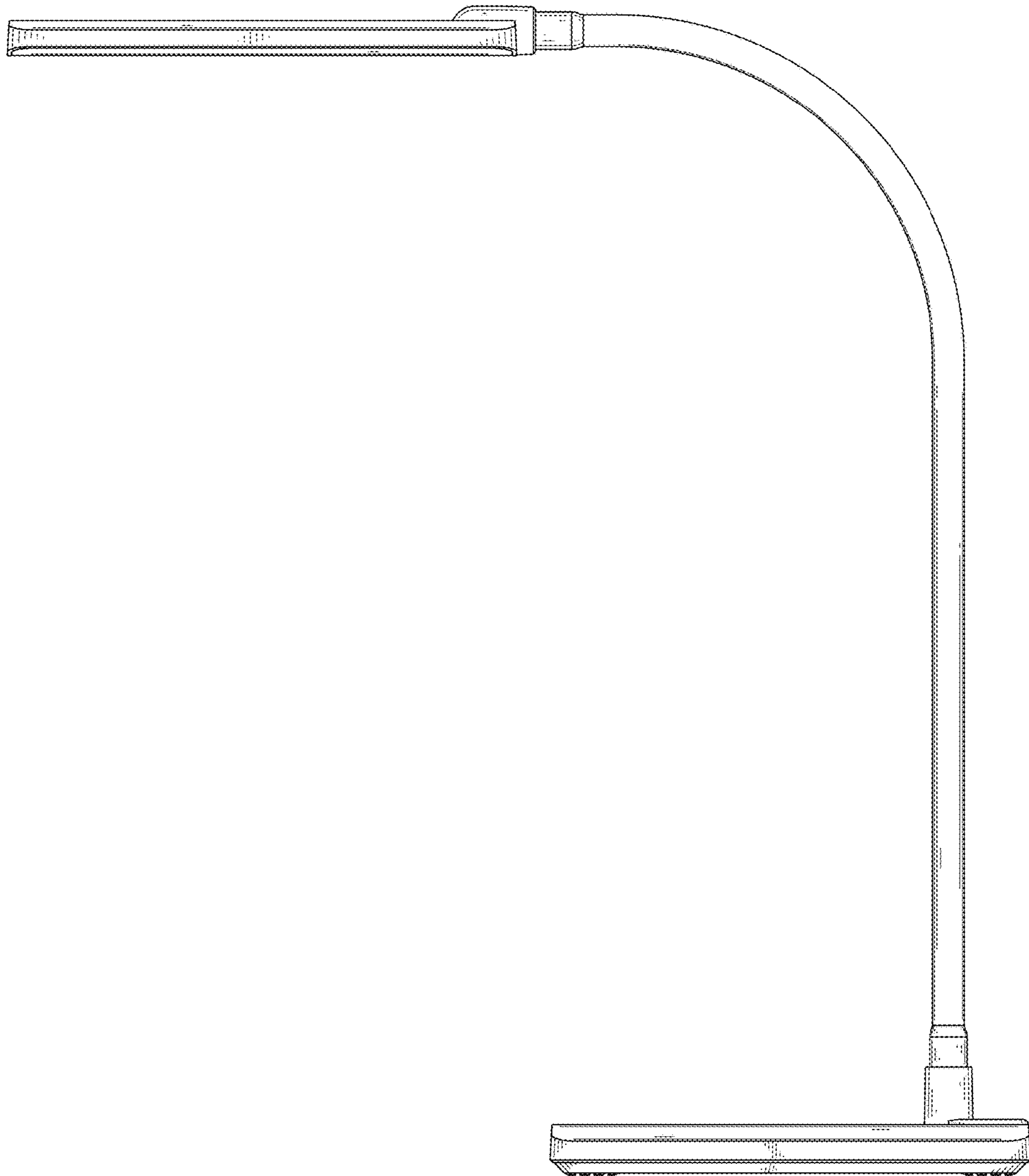


FIG. 6

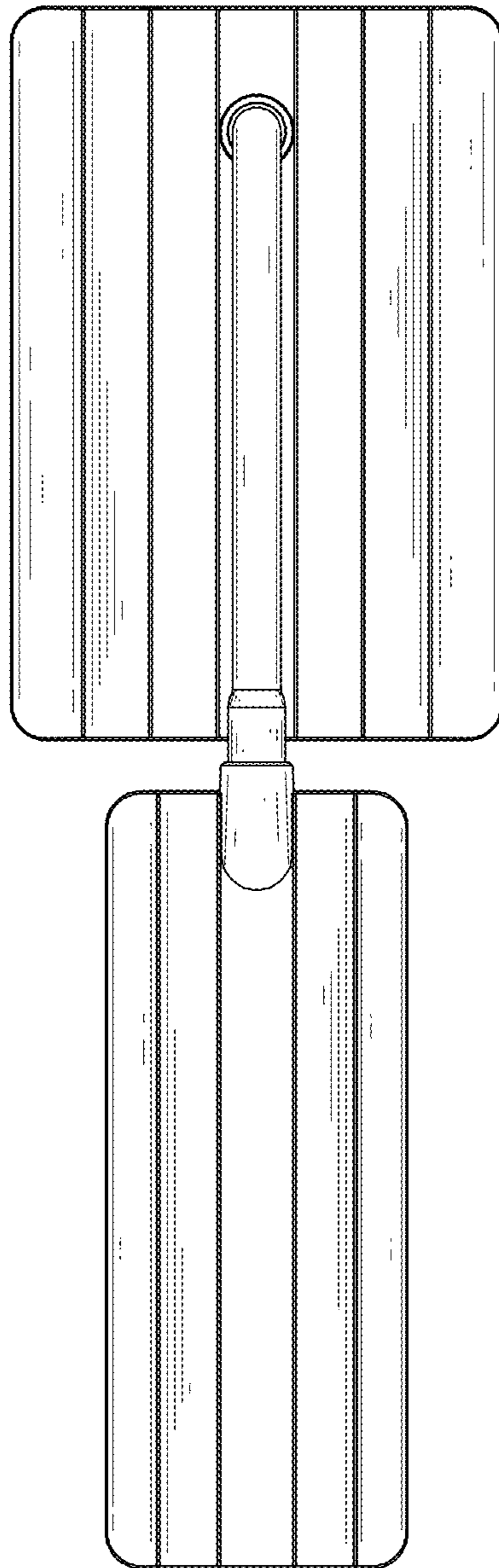


FIG. 7



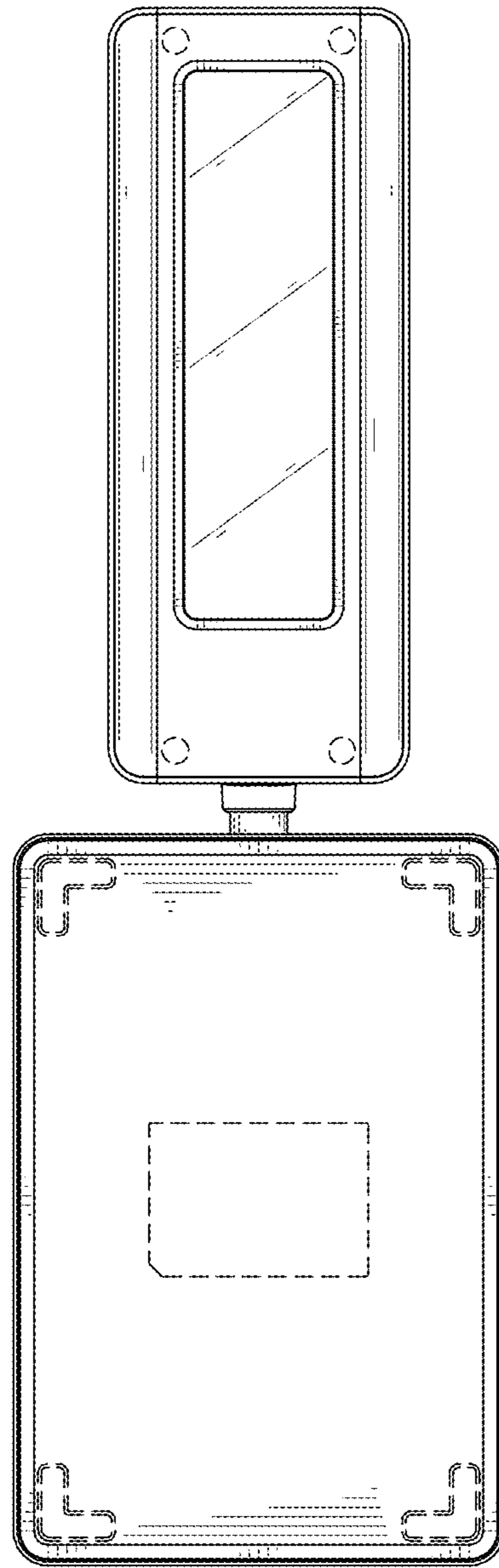


FIG. 8