



US00D802200S

(12) **United States Design Patent**
Sonneman

(10) **Patent No.:** **US D802,200 S**

(45) **Date of Patent:** **** Nov. 7, 2017**

(54) **LIGHT FIXTURE**

(71) Applicant: **Robert A. Sonneman**, Mamaroneck,
NY (US)

(72) Inventor: **Robert A. Sonneman**, Mamaroneck,
NY (US)

(**) Term: **15 Years**

(21) Appl. No.: **29/605,845**

(22) Filed: **May 31, 2017**

(51) **LOC (10) Cl.** **26-03**

(52) **U.S. Cl.**
USPC **D26/87**

(58) **Field of Classification Search**
USPC D26/67-71, 87, 92, 118
CPC F21S 8/032; F21S 8/08; F21S 8/081; F21S
8/083; F21S 8/085; F21S 8/088; F21S
6/004; F21S 9/03; F21S 9/032; F21S
9/035; F21S 9/037; F21S 13/10; F21W
2131/10; F21W 2131/107; F21W
2131/109; F21W 2111/023; F21V
21/0824; F21V 7/041
See application file for complete search history.

(56) **References Cited**

U.S. PATENT DOCUMENTS

D167,863 S *	9/1952	Schreckengost	D26/87
D205,720 S *	9/1966	Villa	D26/68
D222,810 S *	1/1972	Husby	D26/68
3,651,320 A *	3/1972	Lasker	F21S 8/088 362/303
D228,361 S *	9/1973	Burns et al.	D26/71
D233,166 S *	10/1974	Gore et al.	D26/87
D236,909 S *	9/1975	Richilano	D26/68
4,317,164 A *	2/1982	Karaktin	F21S 8/08 362/147
D288,136 S *	2/1987	Pfister	D26/87
D290,408 S *	6/1987	Gendron	D26/67
D294,066 S *	2/1988	Ewing	D26/71
D294,523 S *	3/1988	Ewing	D26/71

D294,645 S *	3/1988	Ewing	D26/24
D294,646 S *	3/1988	Ewing	D26/71
D295,792 S *	5/1988	Ewing	D26/71
5,055,987 A *	10/1991	Ellson	F21S 8/081 362/145
D385,643 S *	10/1997	Brohard	D26/71
D520,143 S *	5/2006	Yoneda	D24/209
7,393,124 B1 *	7/2008	Williams	F21V 21/36 362/403
D631,180 S *	1/2011	Leroux	D26/71
D694,459 S *	11/2013	Fang	D26/87
D783,882 S *	4/2017	Dolan	D26/87
2013/0083516 A1 *	4/2013	Yoon	F21V 29/54 362/190

OTHER PUBLICATIONS

Reals, Downlighted Sconce Item# 7300.PC.FW.74-WL. Found at
sonnemanawayoflight.com, visited Jun. 15, 2017.*

* cited by examiner

Primary Examiner — Clare E Heflin

(74) *Attorney, Agent, or Firm* — Gottlieb, Rackman &
Reisman, P.C.

(57) **CLAIM**

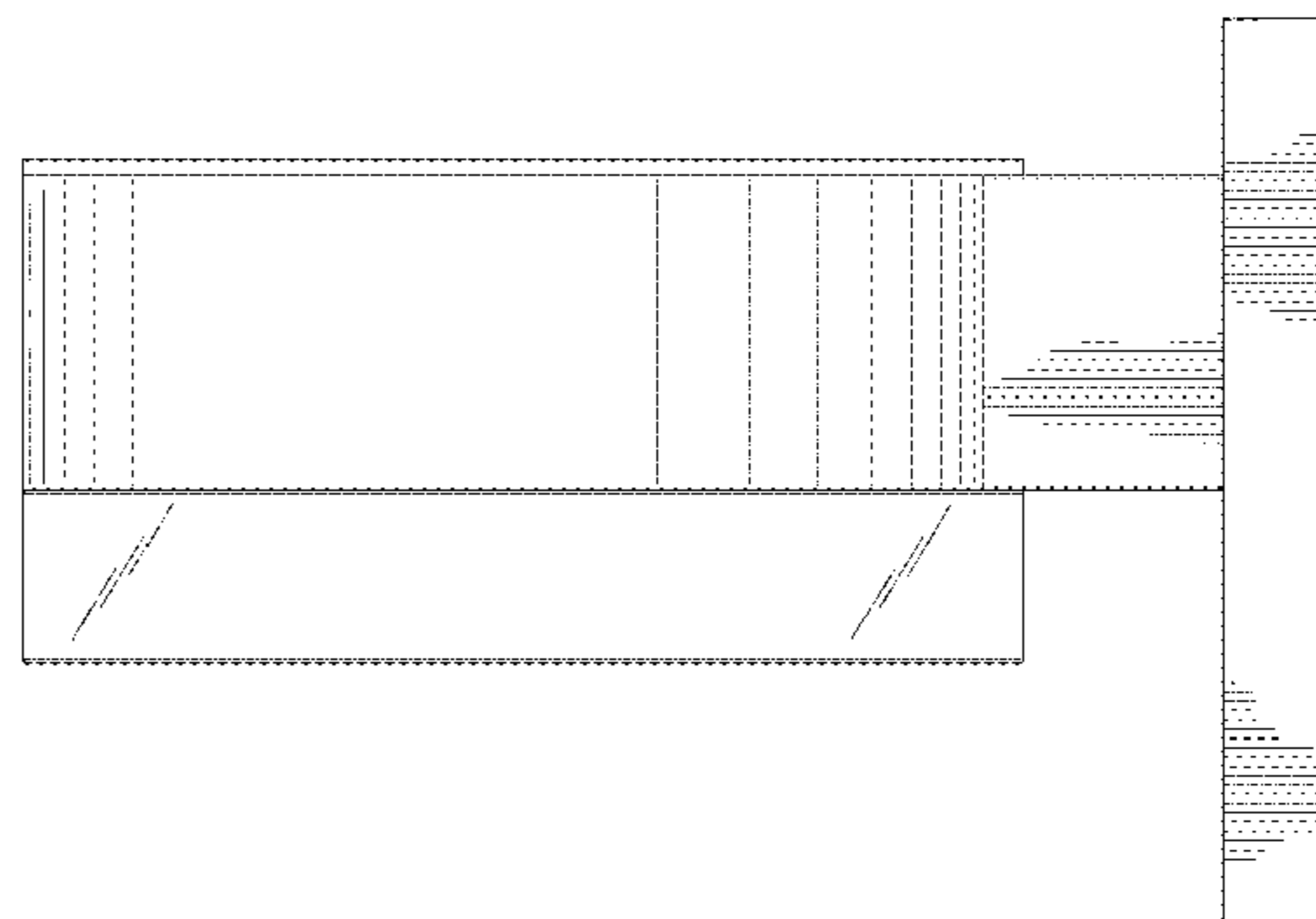
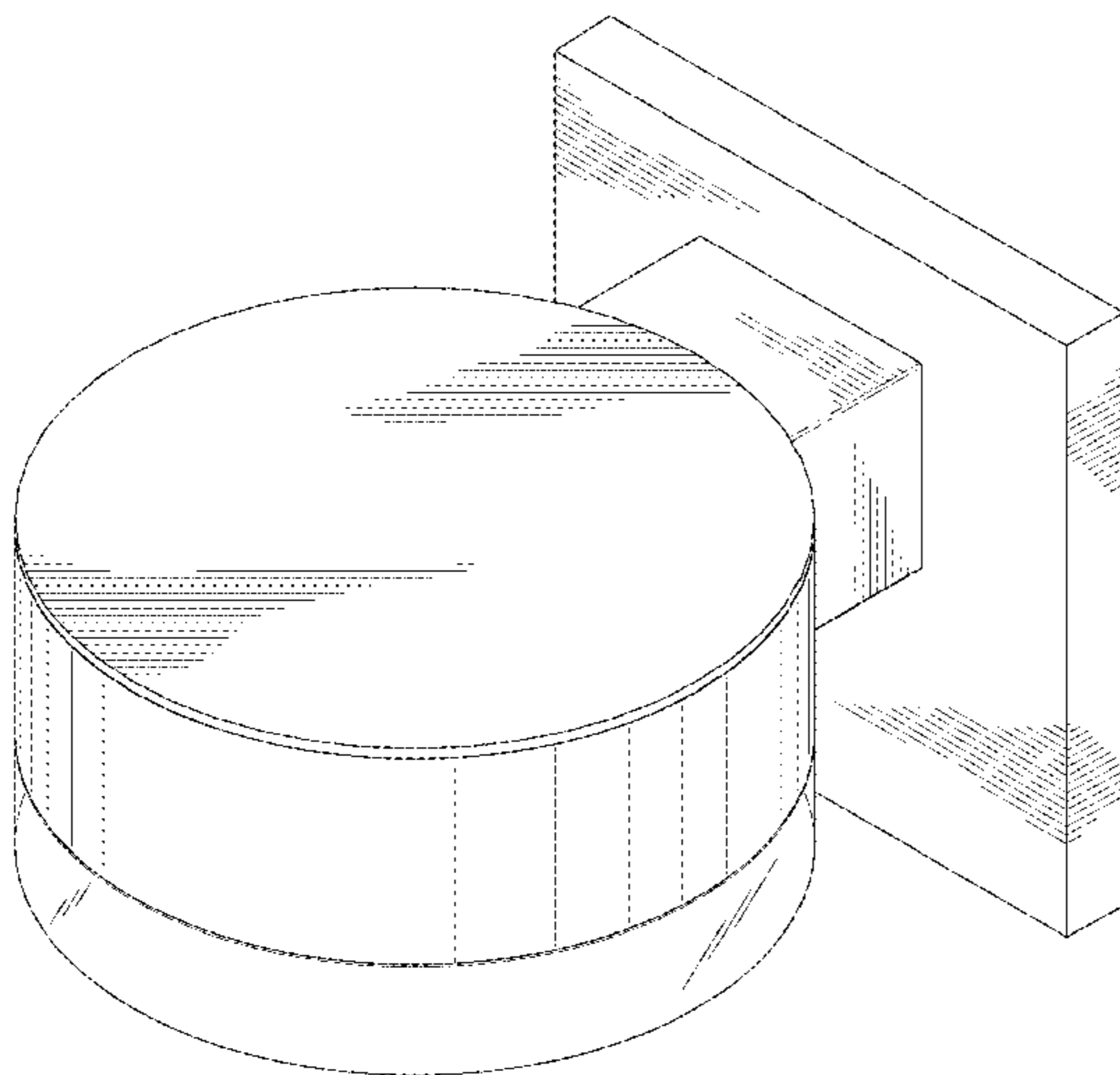
The ornamental design for a light fixture, as shown and
described.

DESCRIPTION

FIG. 1 is a perspective view of the light fixture showing my
new design;
FIG. 2 is a front elevational view thereof;
FIG. 3 is a rear elevational view thereof;
FIG. 4 is a left side elevational view thereof;
FIG. 5 is a right side elevational view thereof;
FIG. 6 is a top plan view thereof; and,
FIG. 7 is a bottom plan view thereof.

The broken lines shown in the drawings are included for the
purpose of illustrating portions of the article that form no
part of the claimed design.

1 Claim, 7 Drawing Sheets



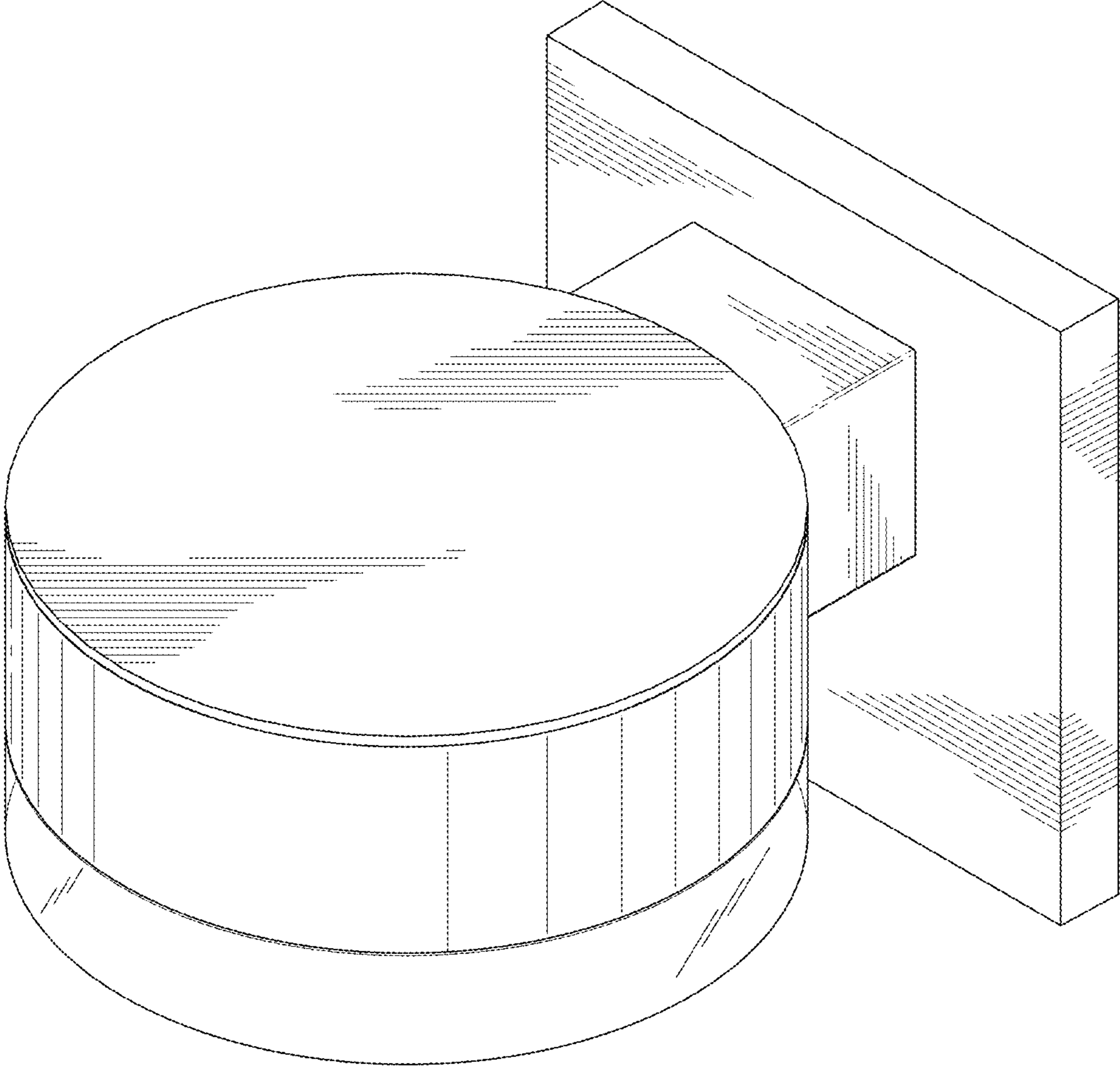


FIG. 1

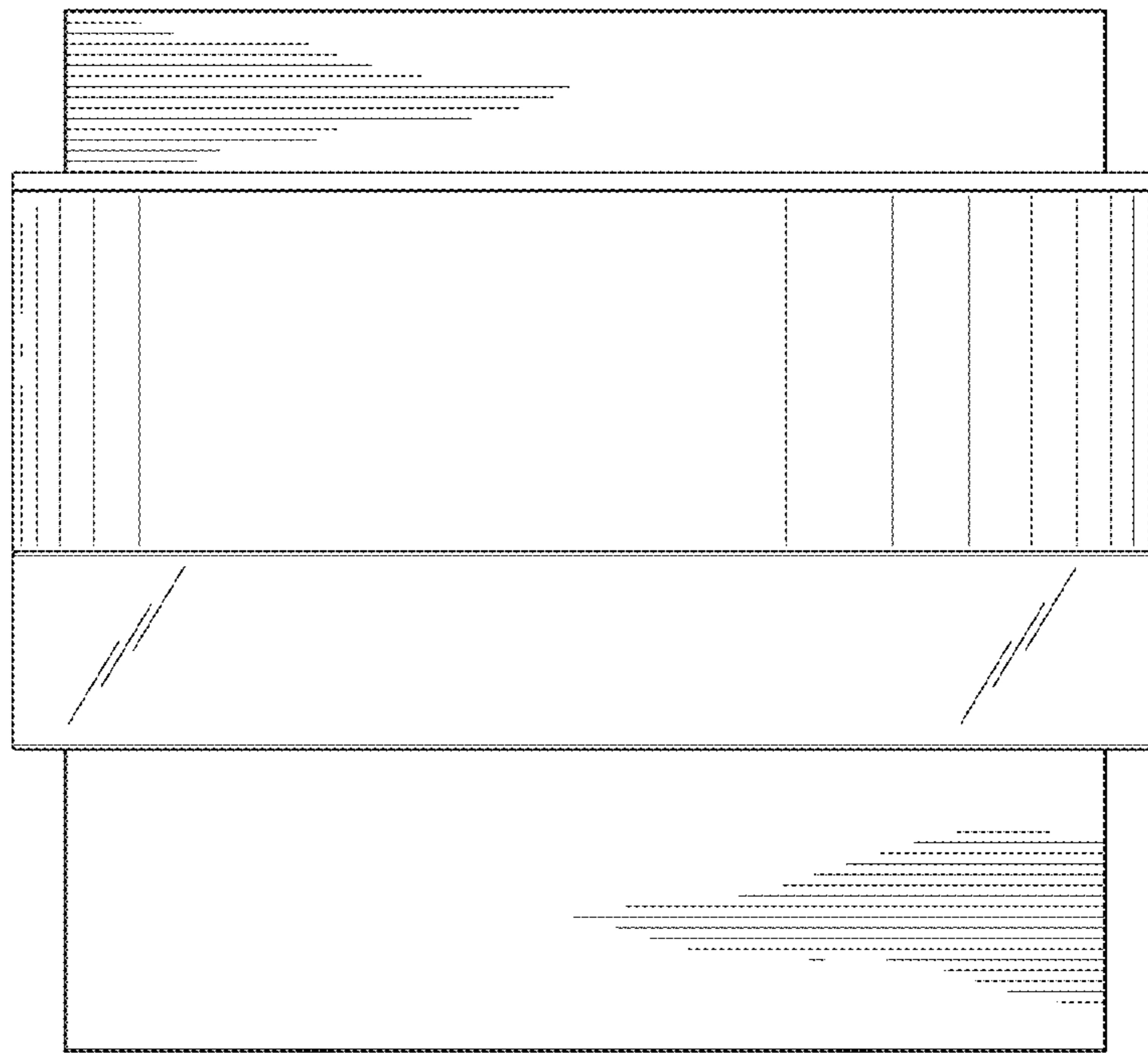


FIG. 2

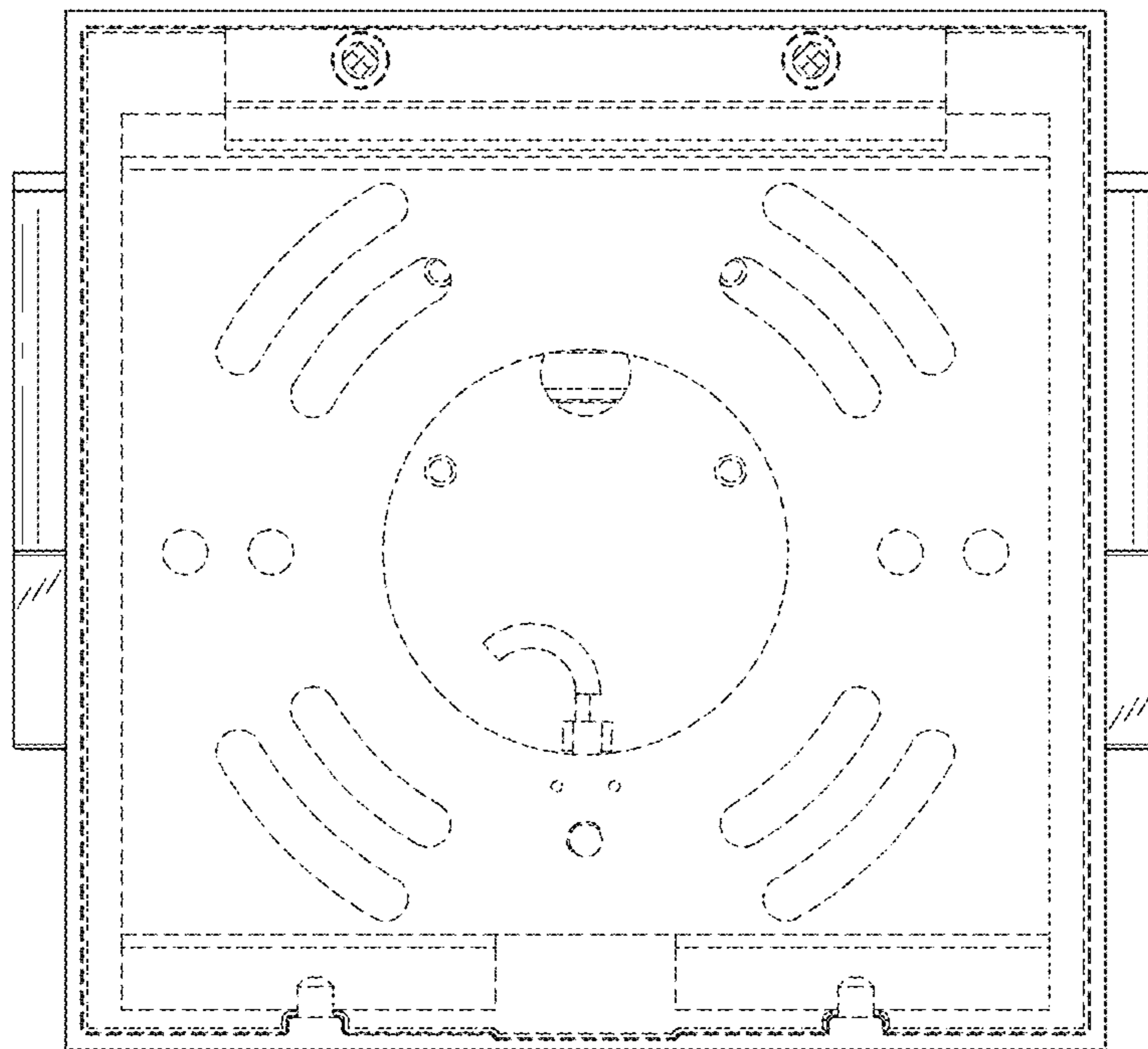


FIG.3

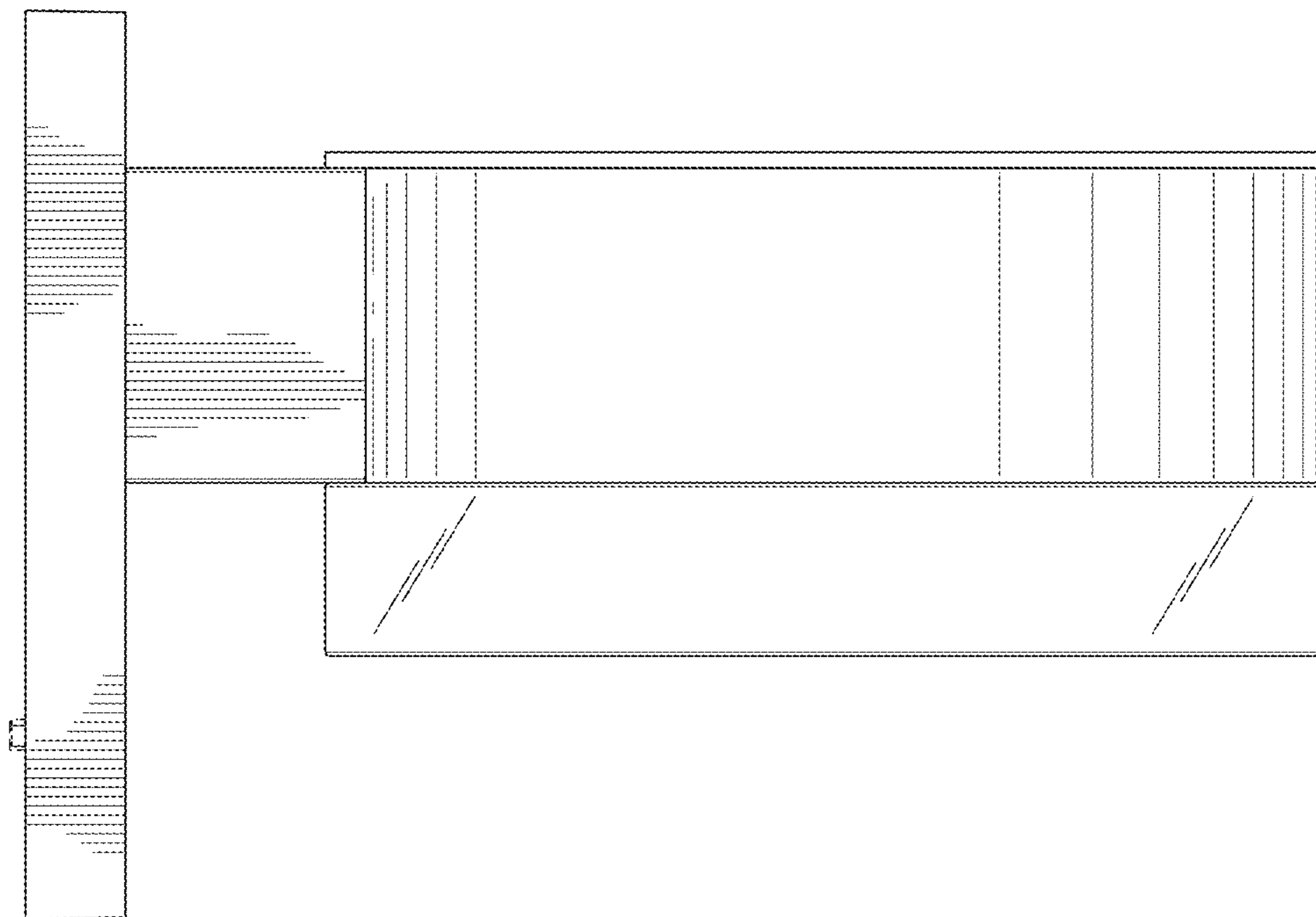


FIG. 4

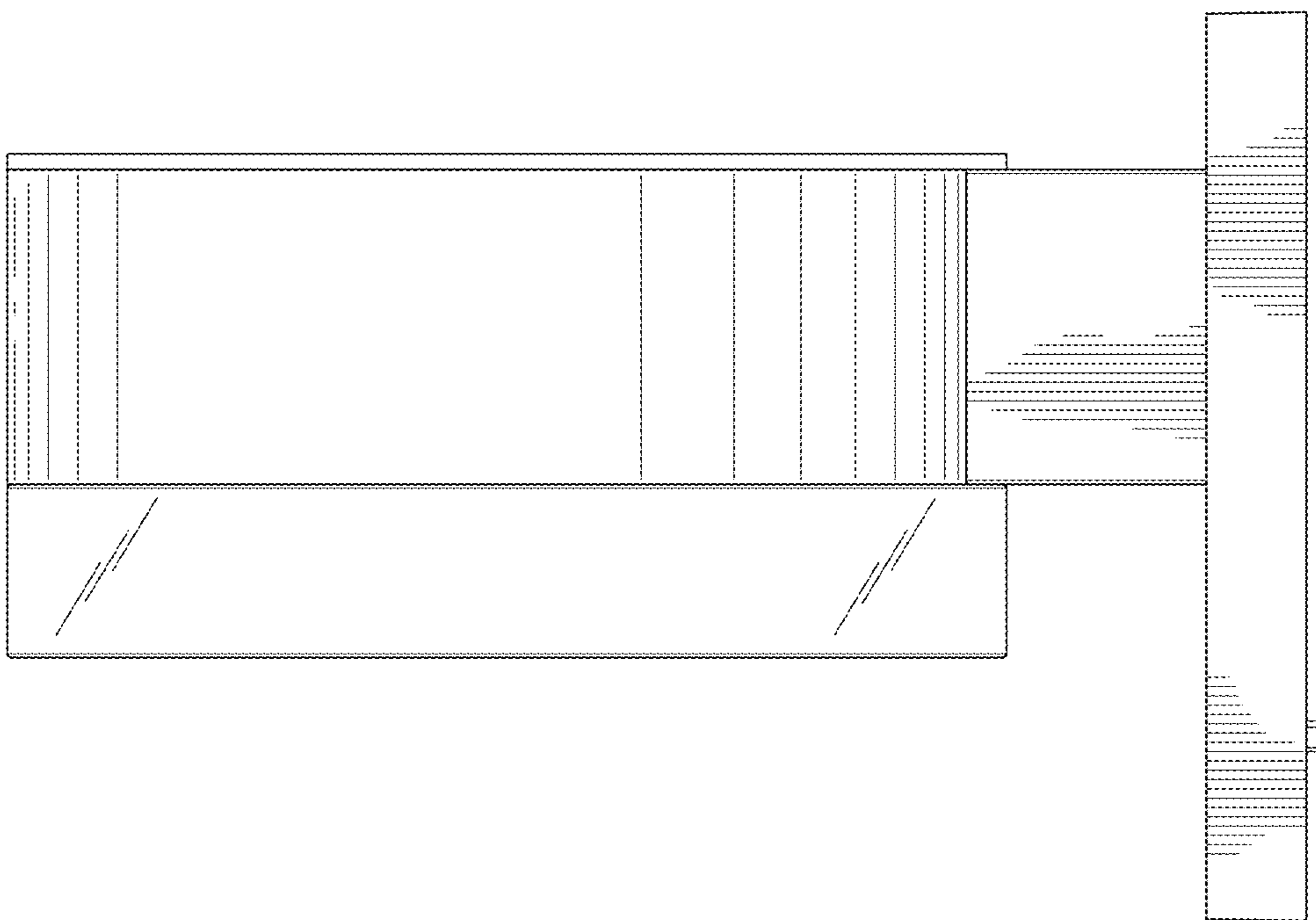


FIG. 5

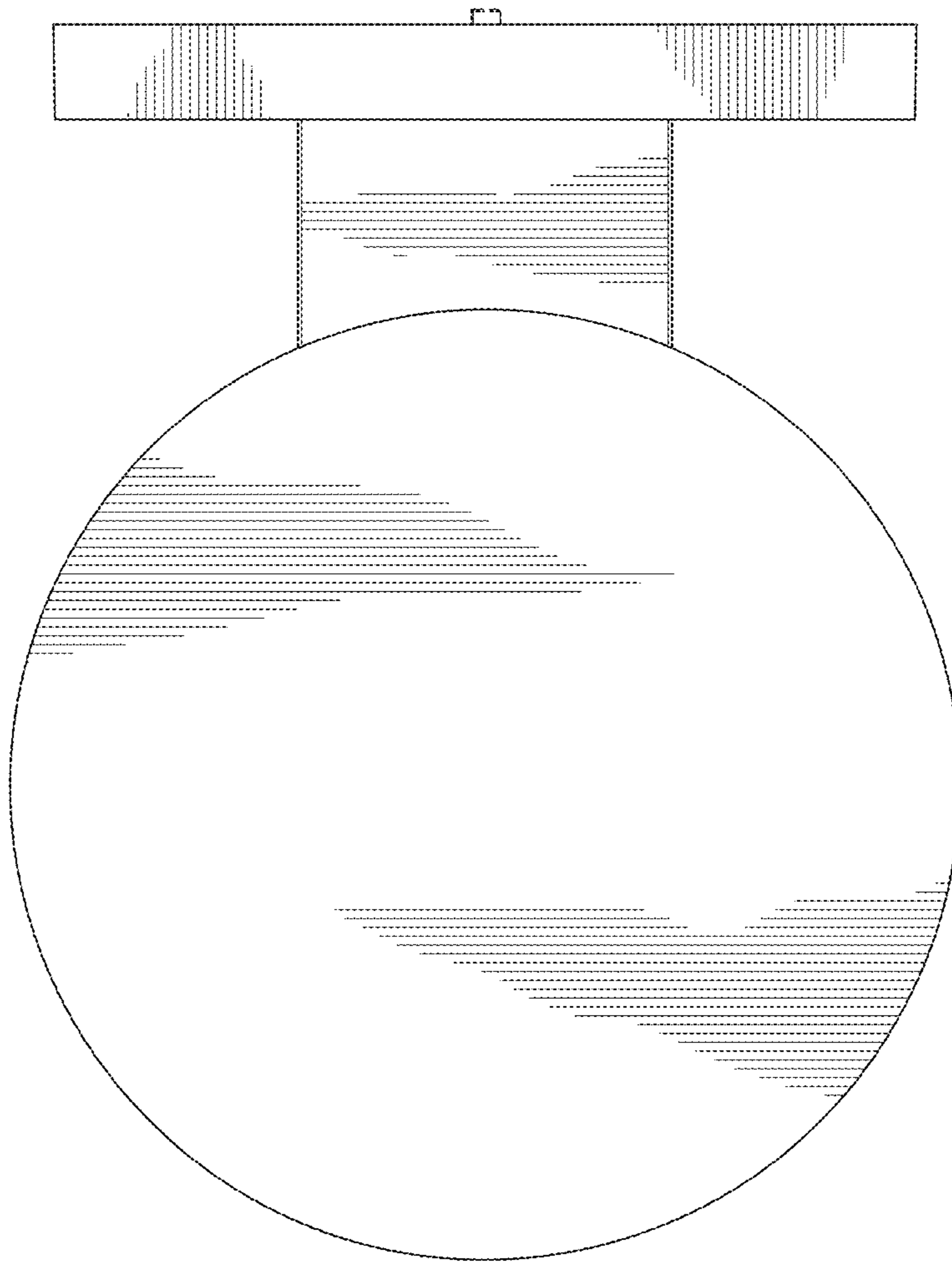


FIG. 6

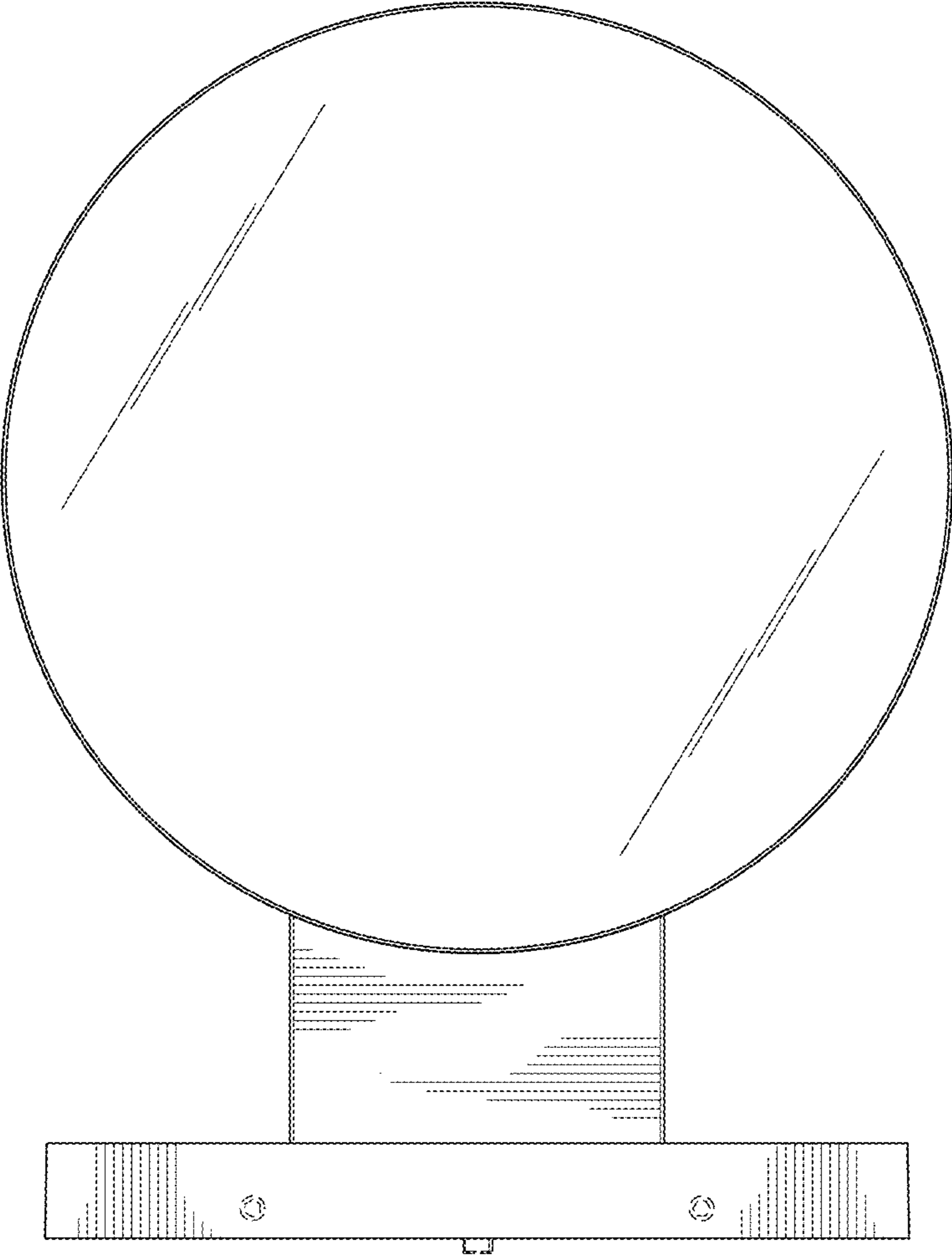


FIG. 7