



US00D802195S

(12) **United States Design Patent** (10) **Patent No.:** **US D802,195 S**  
**Huang** (45) **Date of Patent:** **\*\* Nov. 7, 2017**

(54) **LIGHTING DEVICE**  
(71) Applicant: **Chia-Ling Huang**, Taoyuan (TW)  
(72) Inventor: **Chia-Ling Huang**, Taoyuan (TW)  
(\*\*) Term: **15 Years**  
(21) Appl. No.: **29/577,294**  
(22) Filed: **Sep. 12, 2016**  
(51) **LOC (10) Cl.** ..... **26-02**  
(52) **U.S. Cl.**  
USPC ..... **D26/49**  
(58) **Field of Classification Search**  
USPC ..... D26/49  
CPC ..... F21L 2003/00; F21L 4/00; F21L 4/005;  
F21L 4/02; F21L 4/025; F21L 4/027;  
F21L 4/04; F21L 4/08; F21L 2005/00;  
F21L 7/00; F21L 11/00; F21L 13/00;  
F21L 13/04; F21L 13/08; F21L 14/02;  
F21L 17/00; F21L 19/00  
See application file for complete search history.

(56) **References Cited**  
U.S. PATENT DOCUMENTS  
D551,371 S \* 9/2007 Brown ..... D26/49  
D552,776 S \* 10/2007 Osiecki ..... D26/37  
D565,213 S \* 3/2008 Chan ..... D26/37  
D565,770 S \* 4/2008 Shiu ..... D26/49

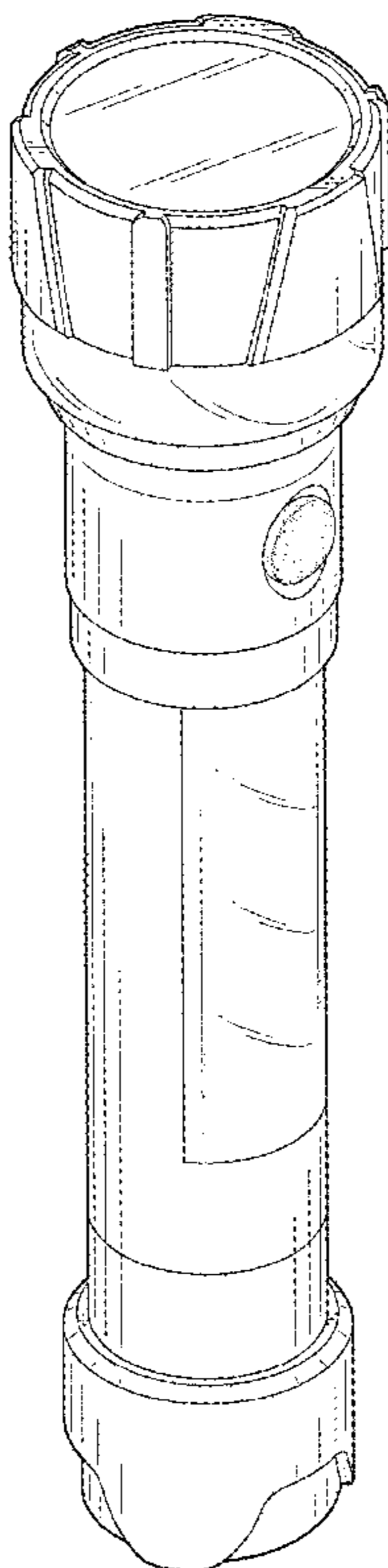
D566,314 S \* 4/2008 Jen ..... D26/49  
D567,420 S \* 4/2008 Ho ..... D26/49  
D568,515 S \* 5/2008 Liu ..... D26/49  
D593,241 S \* 5/2009 Wiesmeth ..... D26/49  
D717,480 S \* 11/2014 Hsu ..... D26/49  
D757,319 S \* 5/2016 Green ..... D26/49  
D769,496 S \* 10/2016 Inskeep ..... D26/49

\* cited by examiner  
*Primary Examiner* — Lakiya Rogers  
*Assistant Examiner* — Carissa C Fitts  
(74) *Attorney, Agent, or Firm* — Muncy, Geissler, Olds & Lowe, P.C.

(57) **CLAIM**  
The ornamental design for a lighting device, as shown and described.

**DESCRIPTION**  
FIG. 1 is a perspective view of a lighting device showing my new design;  
FIG. 2 is a front elevational view thereof;  
FIG. 3 is a rear elevational view thereof;  
FIG. 4 is a left side elevational view thereof;  
FIG. 5 is a right side elevational view thereof;  
FIG. 6 is a top plan view thereof;  
FIG. 7 is a bottom plan view thereof; and,  
FIG. 8 is another perspective view thereof.  
The stipple shading and the straight line shading show a contrast in appearance.

**1 Claim, 7 Drawing Sheets**



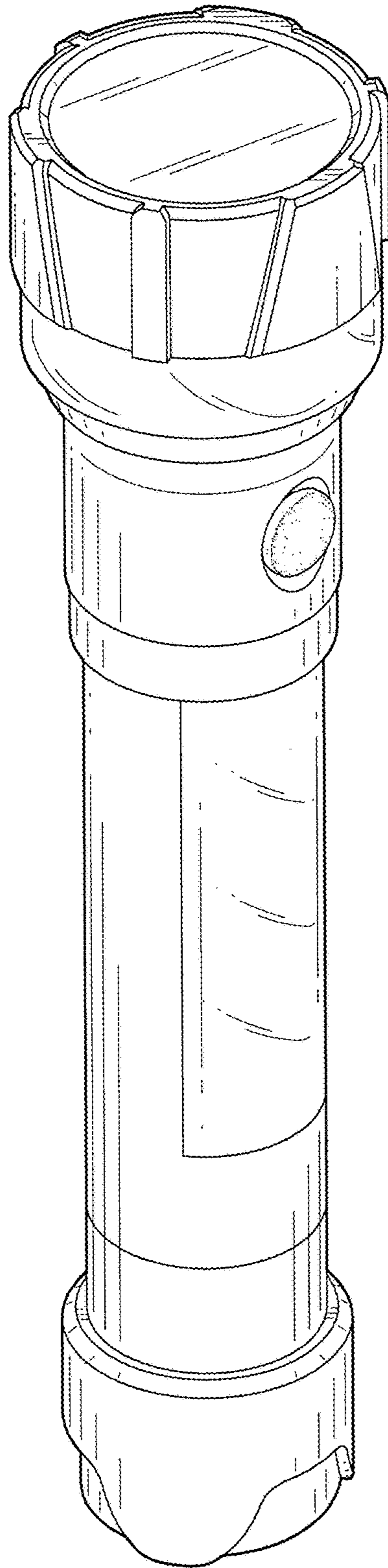


FIG. 1

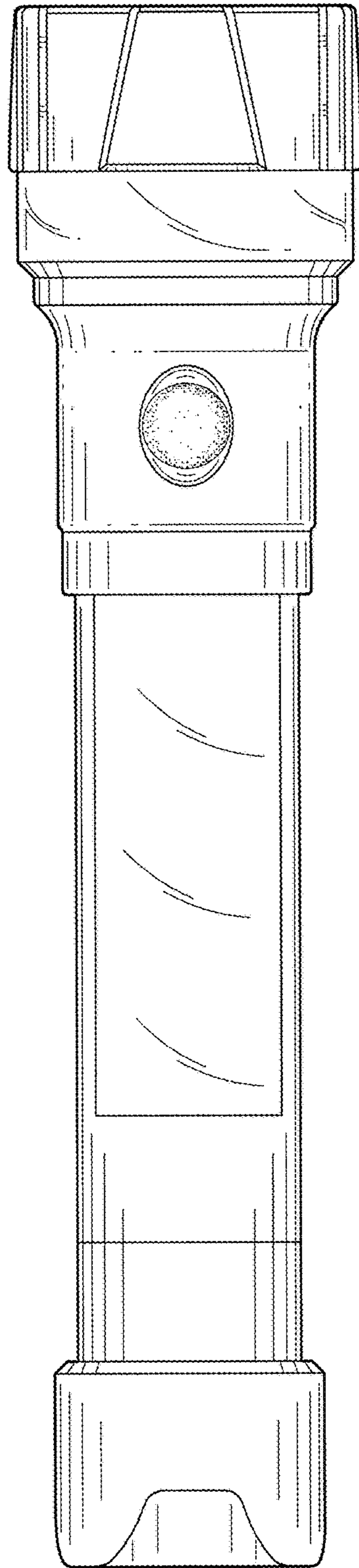


FIG. 2

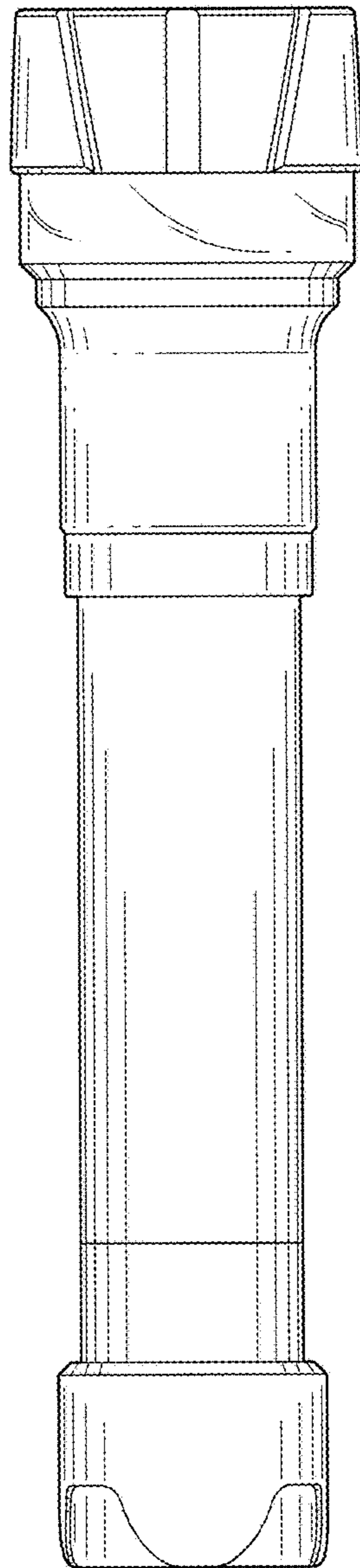


FIG. 3

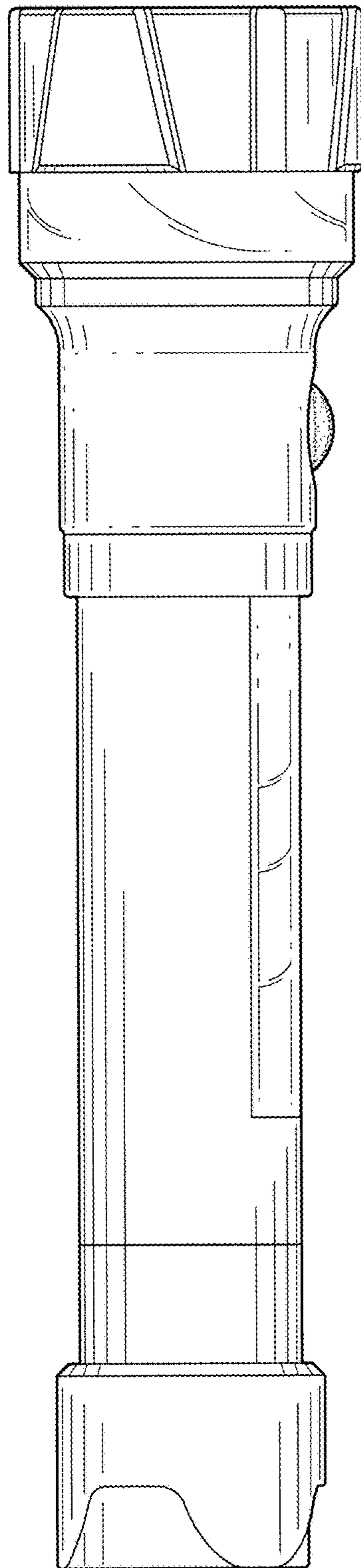


FIG. 4

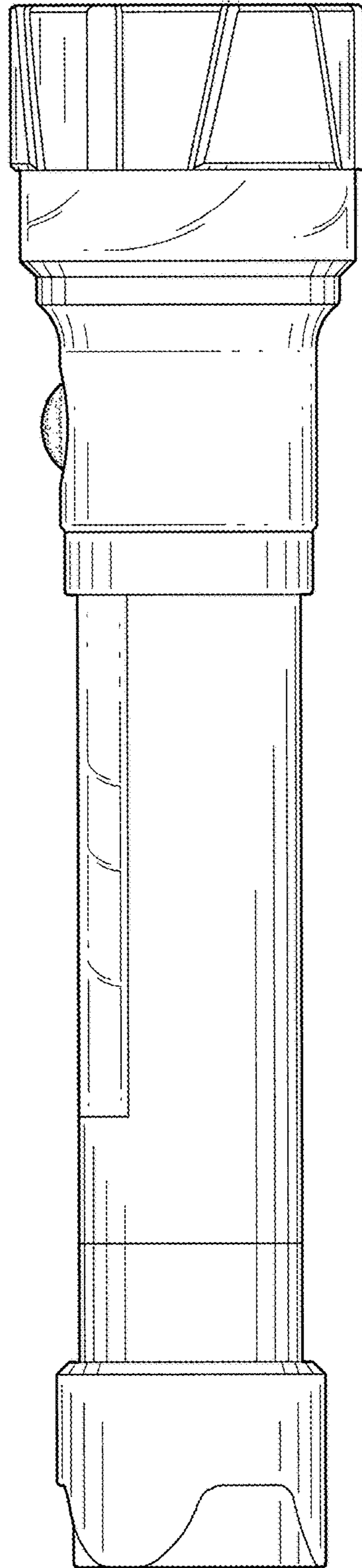


FIG. 5



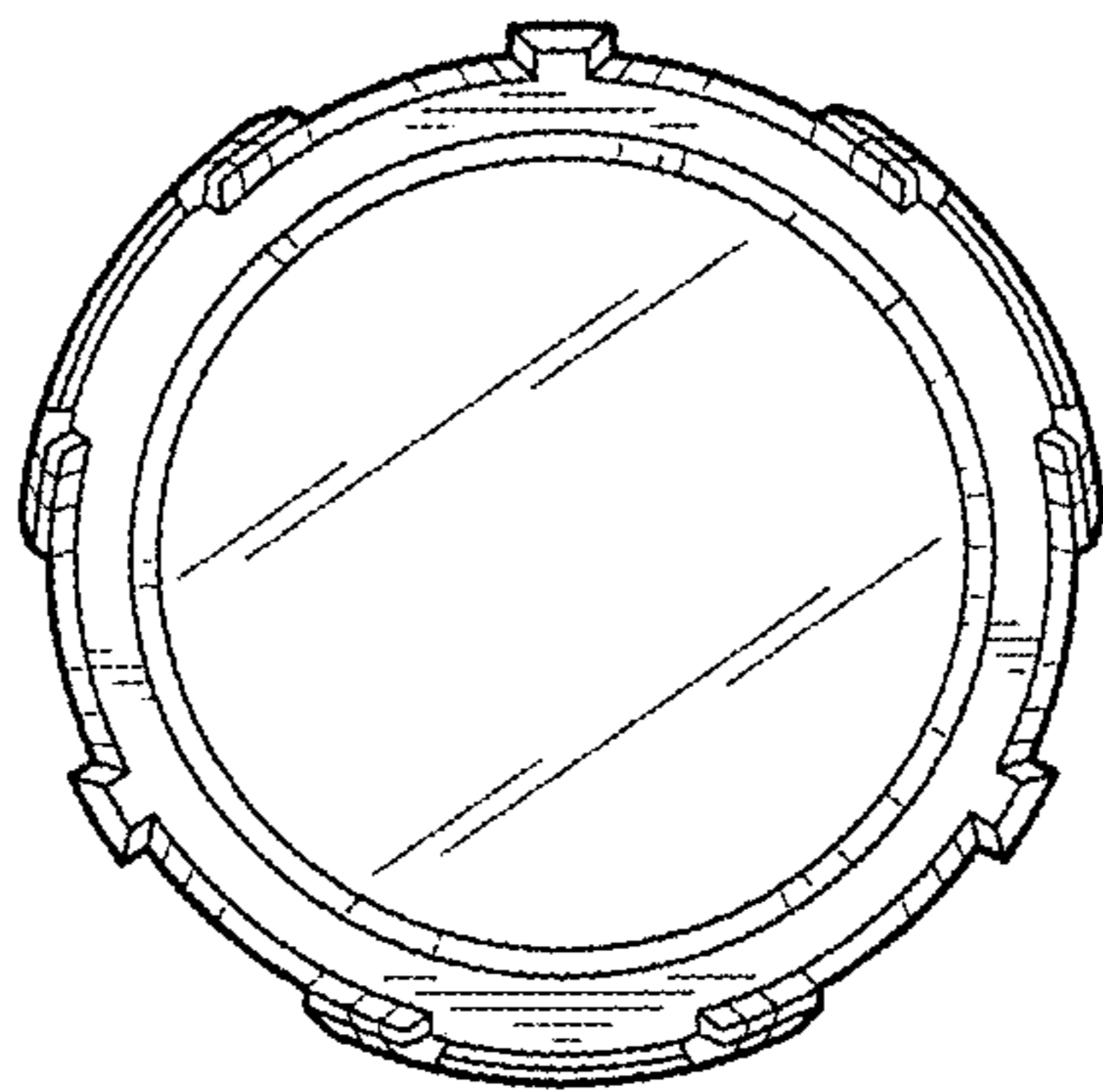


FIG. 6

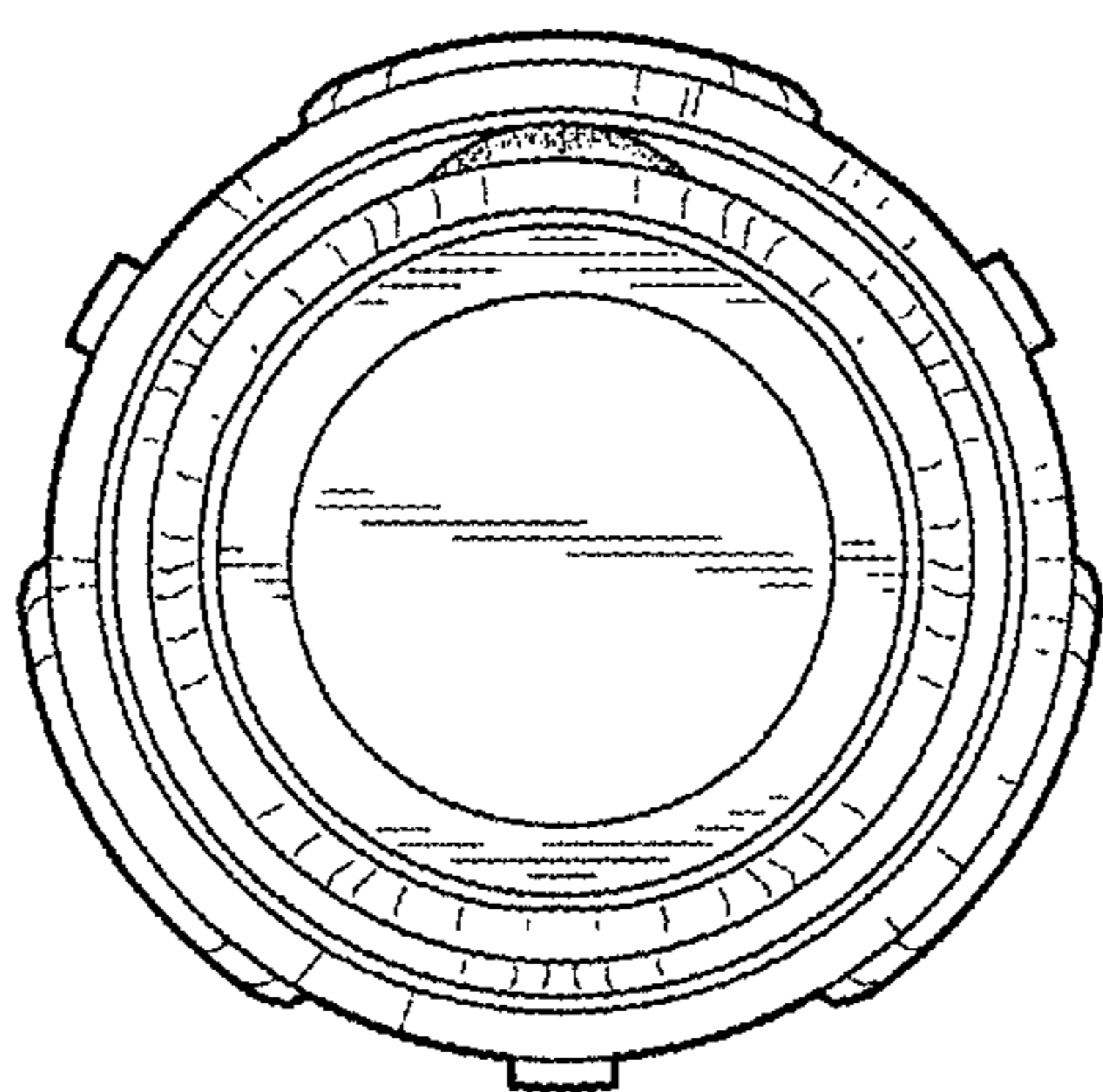


FIG. 7

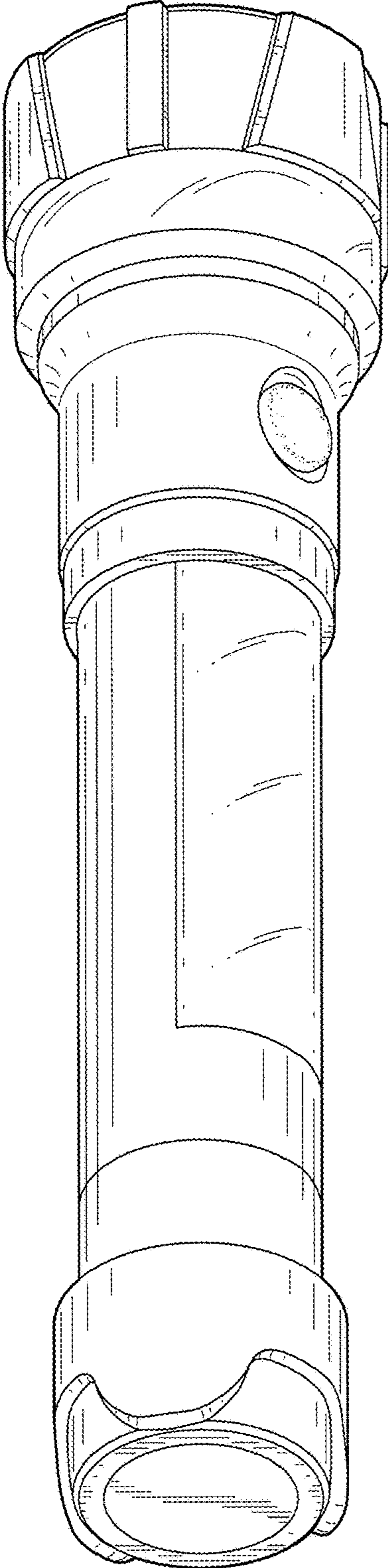


FIG. 8