



US00D802193S

(12) **United States Design Patent** (10) **Patent No.:** **US D802,193 S**  
**Green** (45) **Date of Patent:** **\*\* Nov. 7, 2017**

(54) **FLASHLIGHT**  
(71) Applicant: **HOME DEPOT PRODUCT AUTHORITY, LLC**, Atlanta, GA (US)  
(72) Inventor: **Adam Green**, Atlanta, GA (US)  
(73) Assignee: **Home Depot Product Authority, LLC**, Atlanta, GA (US)

D576,757 S \* 9/2008 Hesse ..... D26/49  
D601,285 S \* 9/2009 Chen ..... D26/49  
D603,988 S \* 11/2009 Sharrah ..... D26/49  
D604,437 S 11/2009 Yang  
D608,033 S 1/2010 Hesse et al.  
D608,034 S 1/2010 Hesse et al.  
D629,544 S \* 12/2010 Deguglimo ..... D26/49  
D640,400 S 6/2011 Huang  
D656,261 S 3/2012 Lee

(Continued)

(\*\*) Term: **15 Years**  
(21) Appl. No.: **29/564,350**  
(22) Filed: **May 12, 2016**

**OTHER PUBLICATIONS**

Images of RAYOVAC Indestructible 2 AA Flashlight, DIY2AA-B, publicly available prior to Aug. 22, 2014.

(Continued)

**Related U.S. Application Data**

(62) Division of application No. 29/500,257, filed on Aug. 22, 2014, now Pat. No. Des. 757,319.

(51) **LOC (10) Cl.** ..... **26-02**

(52) **U.S. Cl.**  
USPC ..... **D26/49**

(58) **Field of Classification Search**  
USPC ..... D26/37-51, 56-60, 67; 362/103-105, 362/184, 194-196, 202-206; D22/117  
CPC ... F21L 4/00; F21L 4/005; F21L 4/022; F21L 4/025; F21L 4/027; F21L 7/00; F21L 19/00; F21V 21/084; F21V 21/0085; F21W 2111/10

See application file for complete search history.

*Primary Examiner* — Sandra Morris

(74) *Attorney, Agent, or Firm* — Greenberg Traurig, LLP

(57) **CLAIM**

I claim the ornamental design for a flashlight, as shown and described.

**DESCRIPTION**

FIG. 1 is a perspective view of my flashlight;  
FIG. 2 is a front view thereof;  
FIG. 3 is a rear view thereof;  
FIG. 4 is a left side view thereof;  
FIG. 5 is a right side view thereof;  
FIG. 6 is a top view thereof; and,  
FIG. 7 is a bottom view thereof.

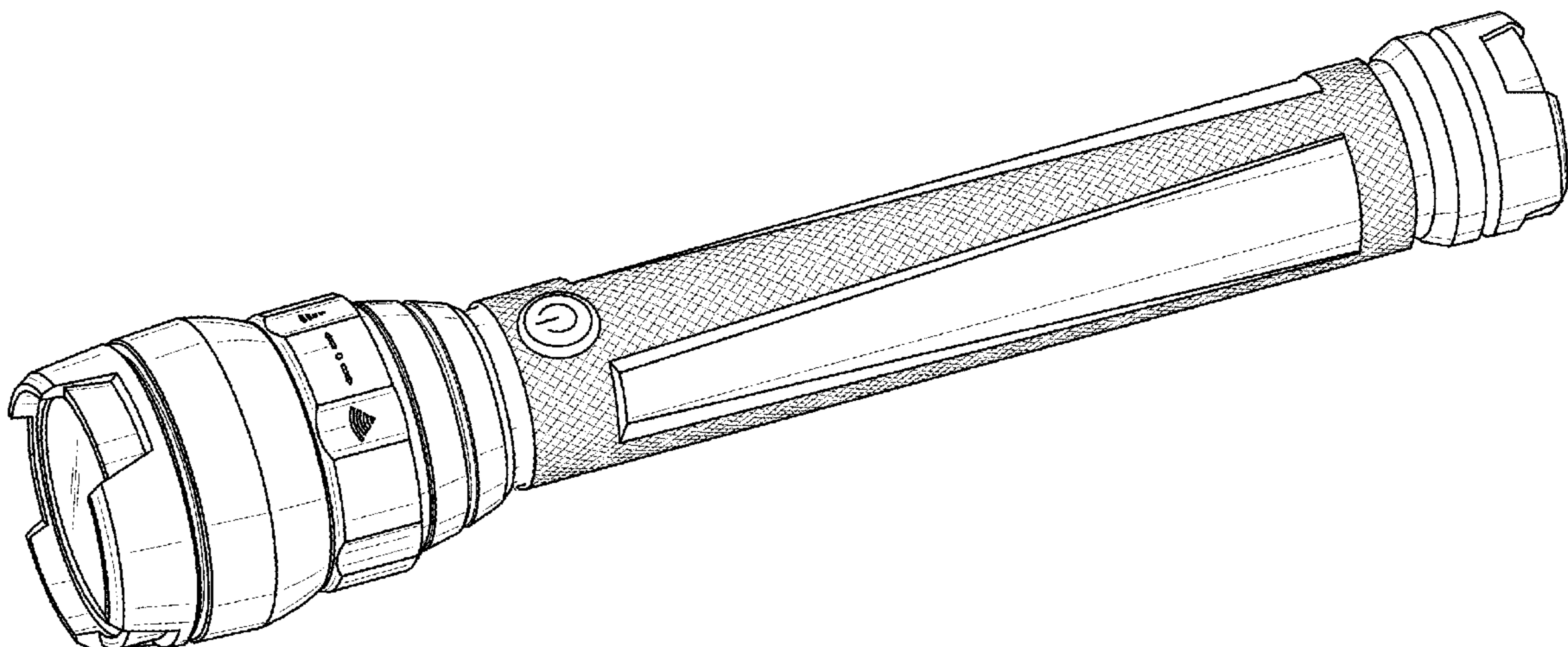
The oblique lines on the lens of my design (as visible in FIGS. 1 and 6) indicate that it is at least translucent and may be transparent. The dashed lines in the figures are for illustrative purposes only and form no part of the claimed design. All other surface(s) or portion(s) of my design not shown in the figures or otherwise described in the specification, such as the locations behind the lens, form no part of the claimed design.

**1 Claim, 4 Drawing Sheets**

(56) **References Cited**

**U.S. PATENT DOCUMENTS**

5,586,819 A \* 12/1996 Bamber ..... F21L 4/005  
362/158  
D512,525 S \* 12/2005 Yang ..... D26/49  
7,258,582 B2 \* 8/2007 Maglica ..... F21L 4/005  
362/202  
D551,366 S \* 9/2007 Galli ..... D26/37  
D557,836 S \* 12/2007 Shiu ..... D26/37  
D565,769 S 4/2008 Shiu



(56)

**References Cited**

U.S. PATENT DOCUMENTS

D659,270 S      5/2012   Nguyen et al.  
D659,272 S      5/2012   Nguyen et al.  
D671,249 S      11/2012   Sheikh et al.  
D683,877 S \*    6/2013   Brands ..... D26/49  
D692,169 S \*    10/2013   Kamm ..... D26/49  
D710,526 S      8/2014   Lee

OTHER PUBLICATIONS

Office Action received in Canadian Counterpart Application to related U.S. Appl. No. 29/564,339, dated Apr. 29, 2016 (1 page).  
Office Action received in Canadian Counterpart Application to related U.S. Appl. No. 29/564,343, dated Apr. 29, 2016 (4 pages).  
Office Action received in Canadian Counterpart Application to related U.S. Appl. No. 29/564,348, dated Apr. 29, 2016 (1 page).  
Office Action received in Canadian Counterpart Application to related U.S. Appl. No. 29/564,350, dated Apr. 29, 2016 (1 page).  
Office Action received in Canadian Counterpart Application to related U.S. Appl. No. 29/594,353, dated Apr. 29, 2016 (3 pages).

\* cited by examiner

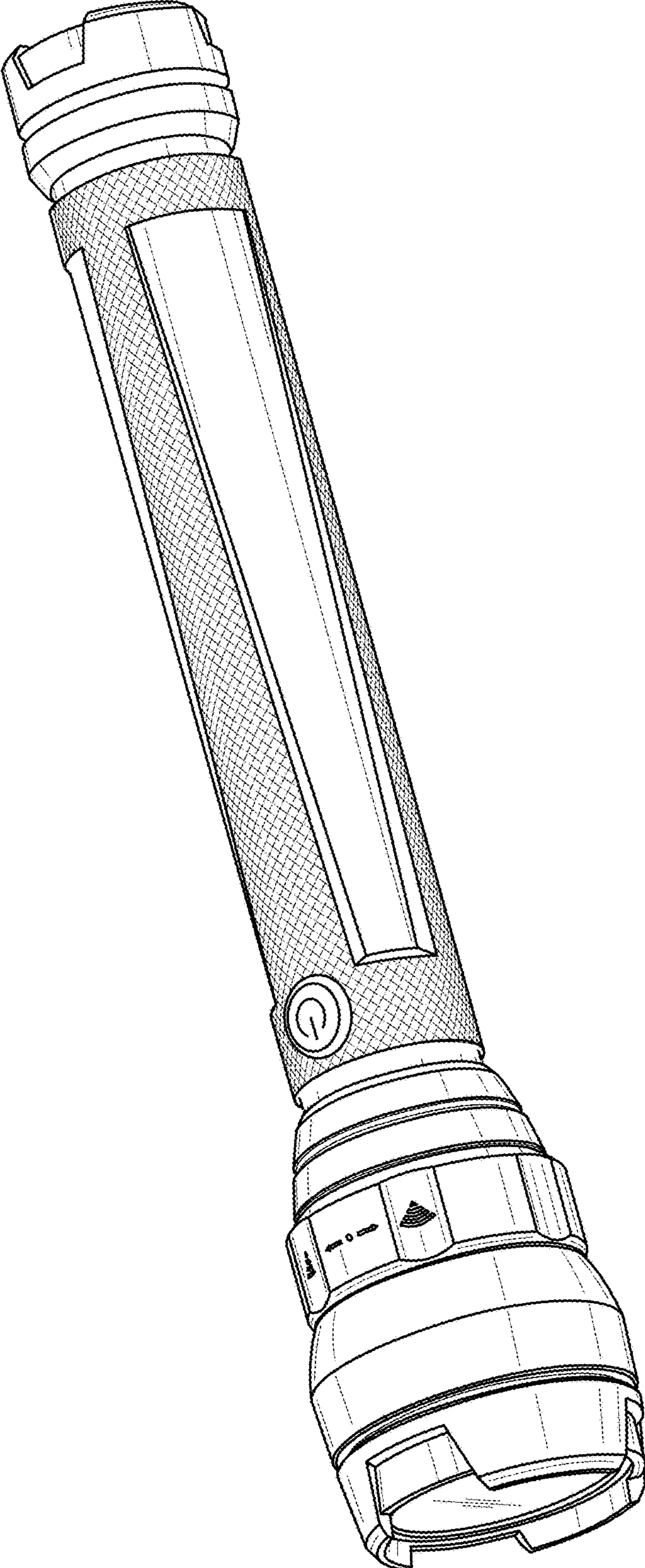


FIG. 1



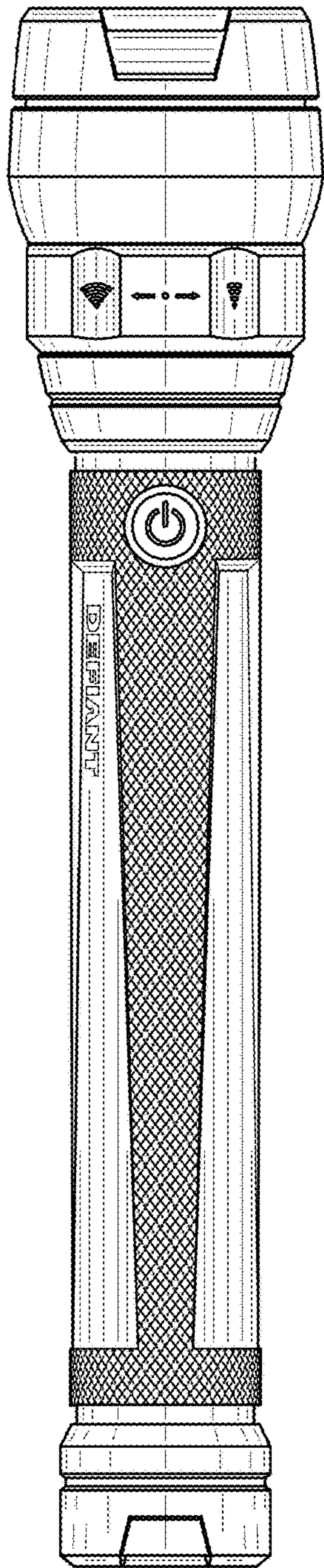


FIG. 2

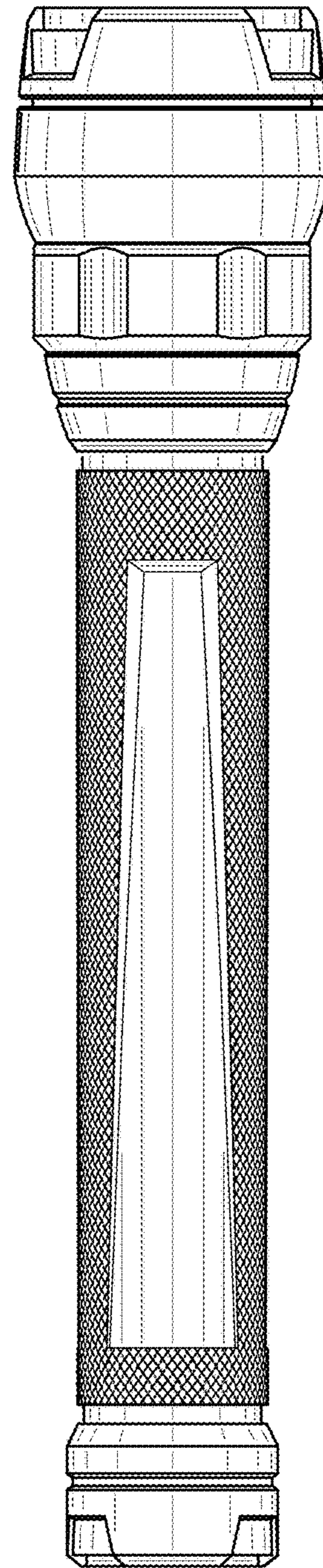


FIG. 3

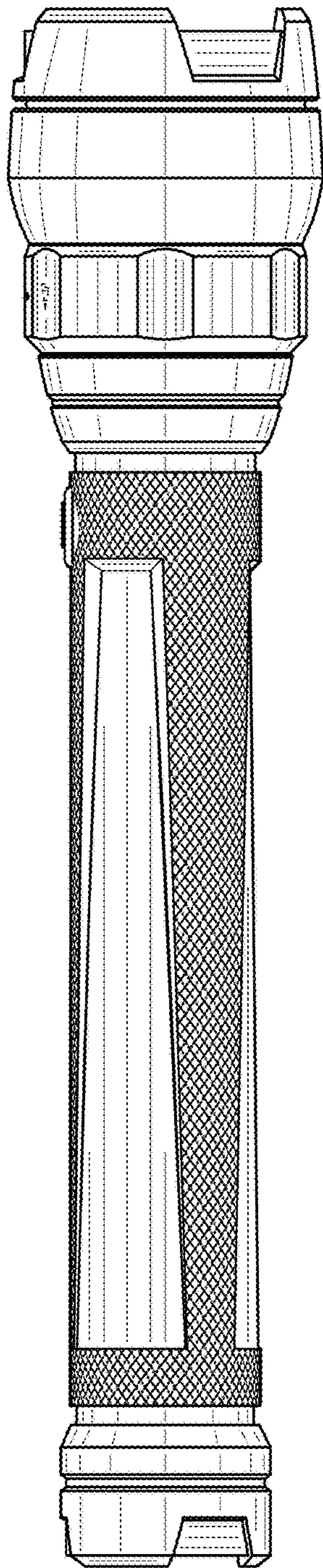


FIG. 4

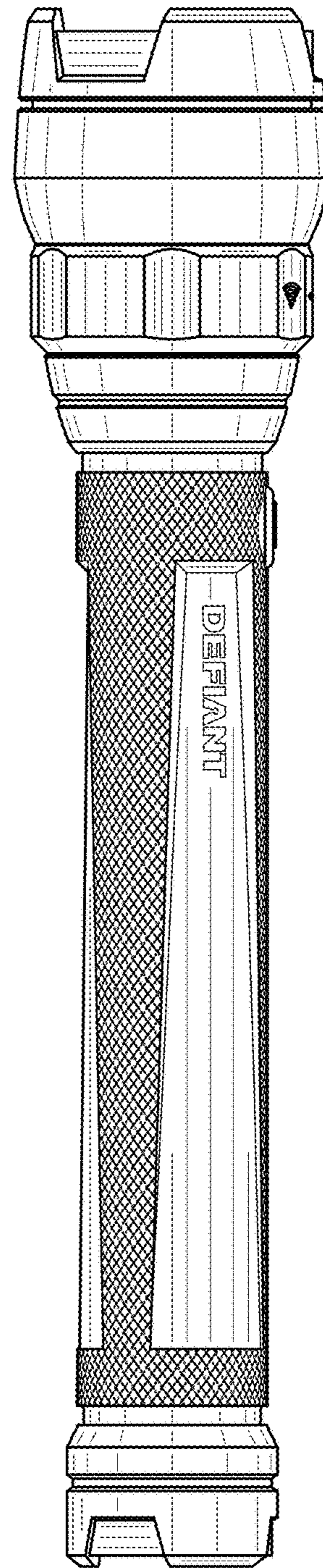


FIG. 5

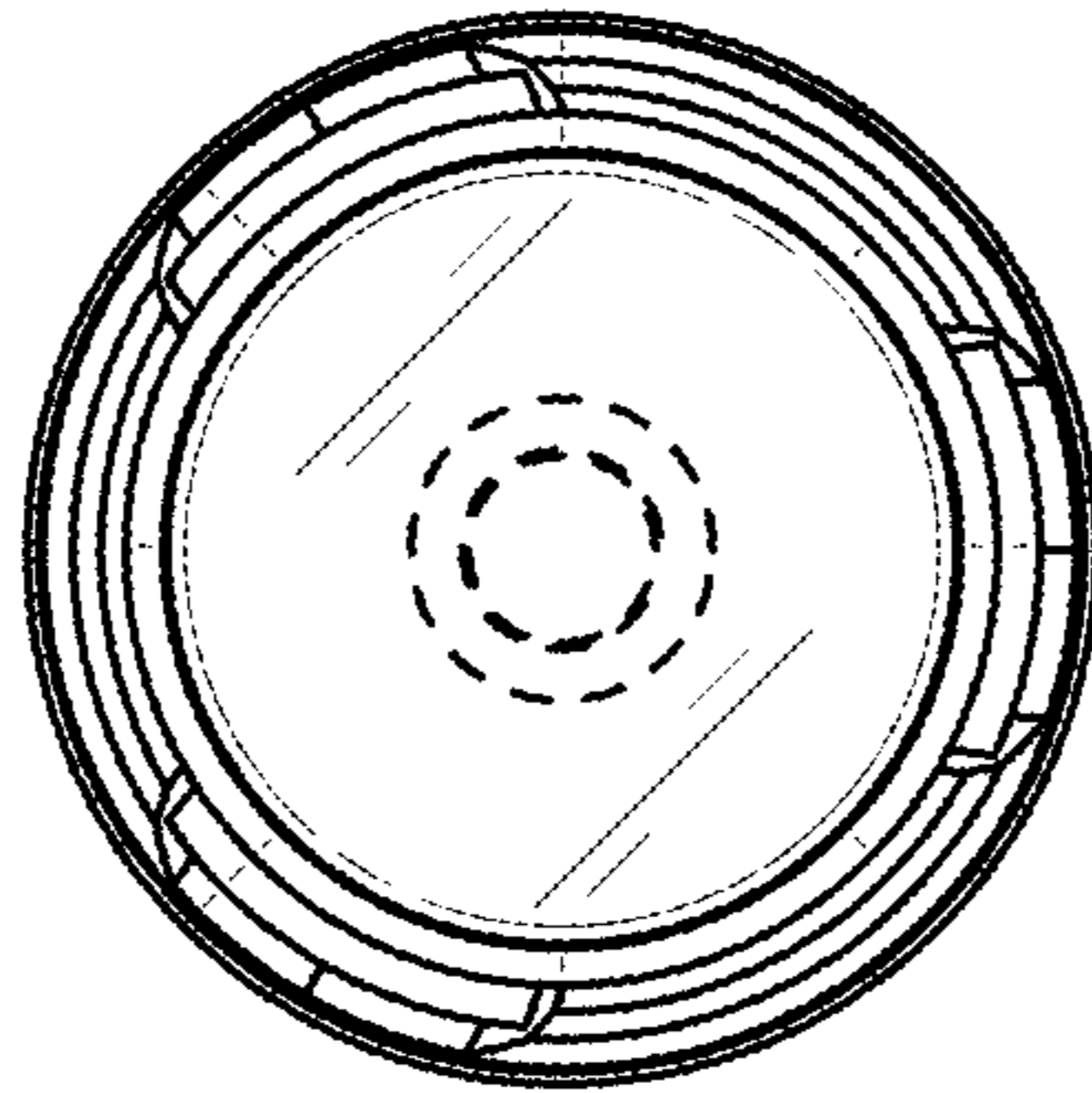


FIG. 6

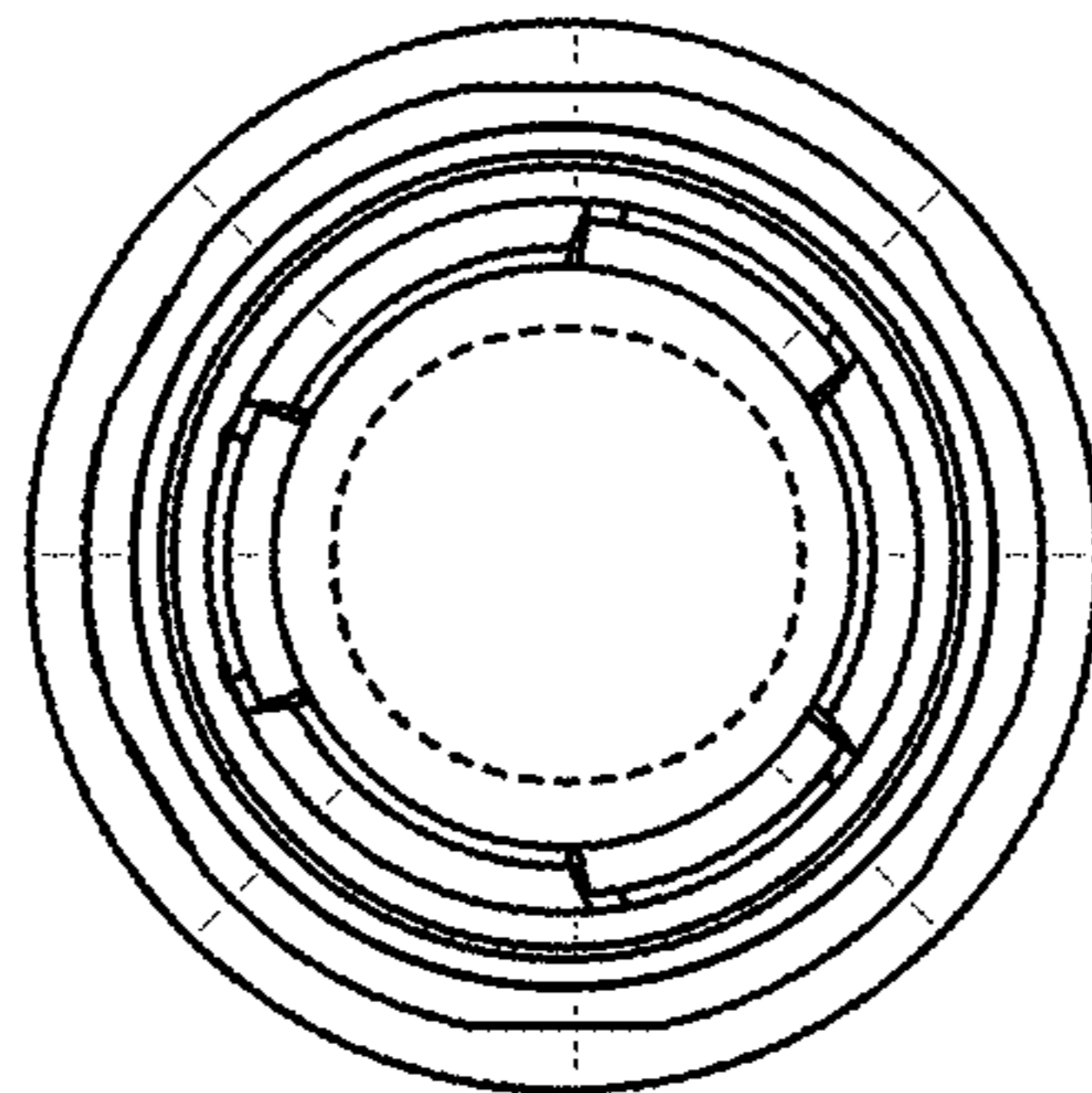


FIG. 7