



US00D802192S

(12) **United States Design Patent**  
**Windom et al.**

(10) **Patent No.:** **US D802,192 S**  
(45) **Date of Patent:** **\*\* Nov. 7, 2017**

(54) **FLASHLIGHT**  
(71) Applicant: **Coast Cutlery Co.**, Portland, OR (US)  
(72) Inventors: **Gregory David Windom**, Portland, OR (US); **Kam Fu Choo**, Vancouver, WA (US)  
(73) Assignee: **Coast Cutlery Co.**, Portland, OR (US)

(\*\*) Term: **15 Years**

(21) Appl. No.: **29/551,681**

(22) Filed: **Jan. 15, 2016**

(51) **LOC (10) Cl.** ..... **26-02**

(52) **U.S. Cl.**  
USPC ..... **D26/49**

(58) **Field of Classification Search**  
USPC ..... D26/49, 37, 38, 46, 51  
CPC ..... F21L 2003/00; F21L 4/00; F21L 4/005;  
F21L 4/02; F21L 4/025; F21L 4/027;  
F21L 4/04; F21L 4/08; F21L 2005/00;  
F21L 7/00; F21L 11/00; F21L 13/00;  
F21L 13/04; F21L 13/08; F21L 14/02;  
F21L 17/00; F21L 19/00

See application file for complete search history.

(56) **References Cited**

**U.S. PATENT DOCUMENTS**

D371,214 S \* 6/1996 Terry, Sr. .... D26/49  
D465,045 S \* 10/2002 Yamamoto ..... D26/49  
D524,468 S \* 7/2006 Chean ..... D26/37  
D578,687 S \* 10/2008 Hong ..... D26/37  
D603,990 S \* 11/2009 Brown ..... D26/49

D643,561 S \* 8/2011 Maglica ..... D26/49  
D675,358 S \* 1/2013 Brands ..... D26/49  
D683,877 S \* 6/2013 Brands ..... D26/49  
D706,476 S \* 6/2014 Lee ..... D26/49  
D736,975 S \* 8/2015 Tang ..... D22/117  
D747,521 S \* 1/2016 Sheikh ..... D22/117  
D748,309 S \* 1/2016 Cheng ..... D22/117  
D769,495 S \* 10/2016 Bertken ..... D26/49  
D770,071 S \* 10/2016 Windom ..... D26/49

\* cited by examiner

*Primary Examiner* — Lakiya Rogers

*Assistant Examiner* — Carissa C Fitts

(74) *Attorney, Agent, or Firm* — Schwabe Williamson & Wyatt, P.C.

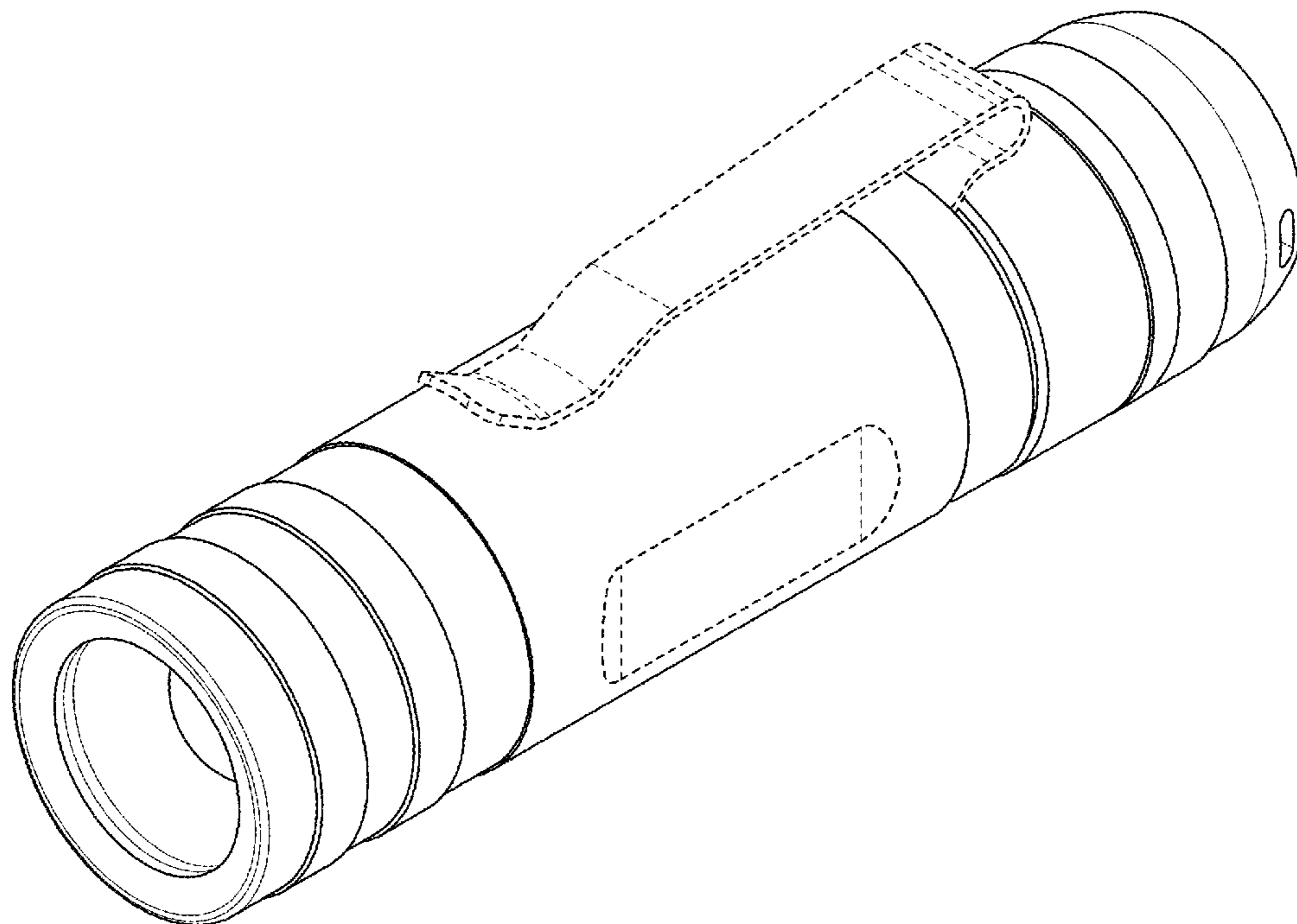
(57) **CLAIM**

We claim the ornamental design for a flashlight, as shown and described.

**DESCRIPTION**

FIG. 1 is a perspective view of a flashlight, showing our new design;  
FIG. 2 is a right side view thereof;  
FIG. 3 is a left side view thereof;  
FIG. 4 is a front view thereof;  
FIG. 5 is a back view thereof;  
FIG. 6 is a top view thereof; and,  
FIG. 7 is a bottom view thereof.  
The broken lines show unclaimed portions of the article and form no part of the claimed design.

**1 Claim, 7 Drawing Sheets**



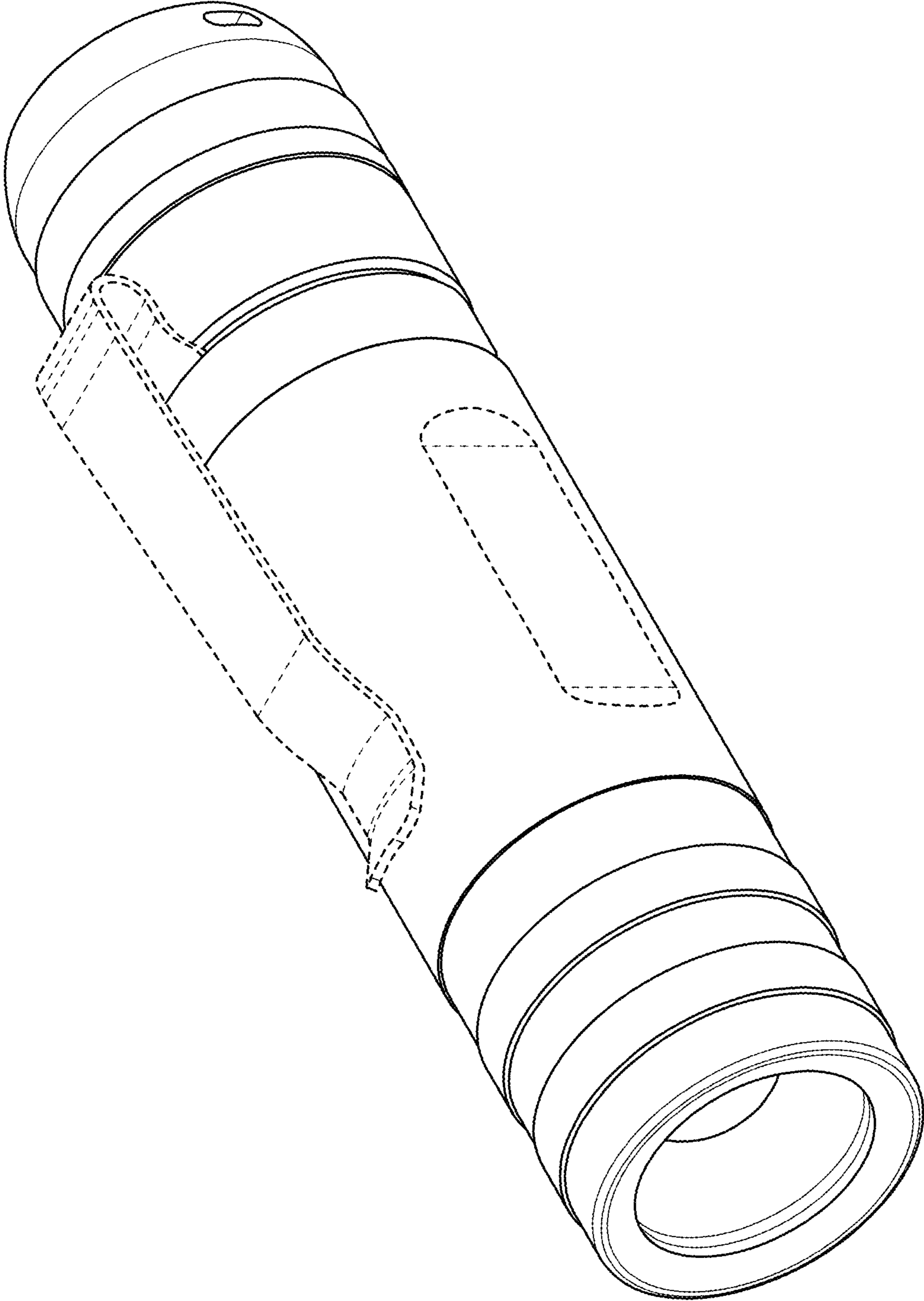


FIG. 1

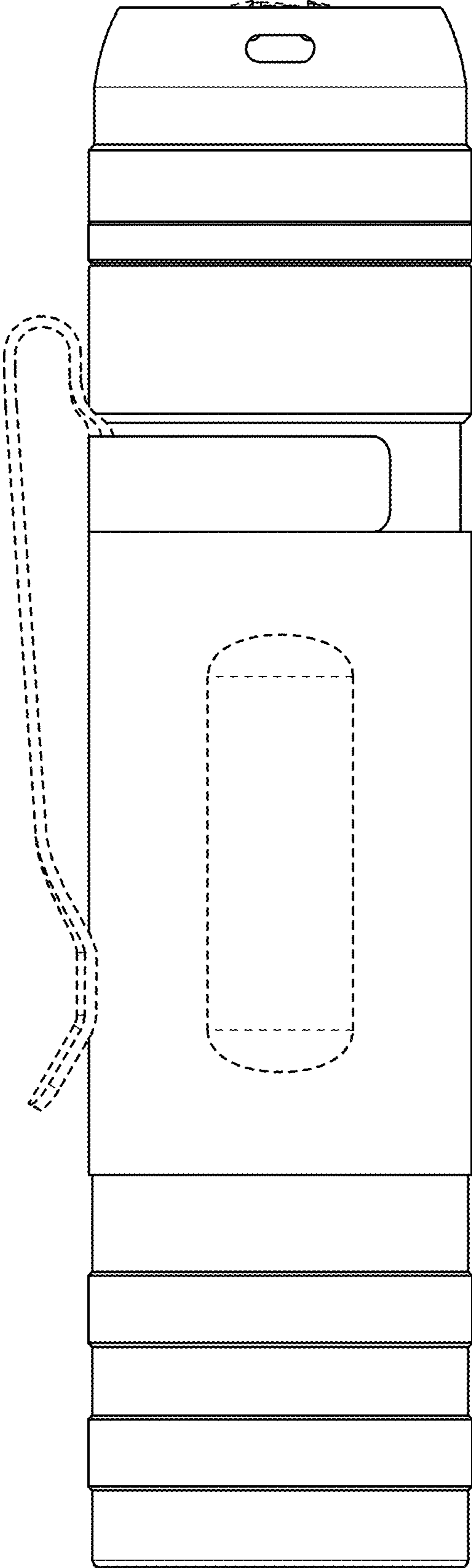


FIG. 2

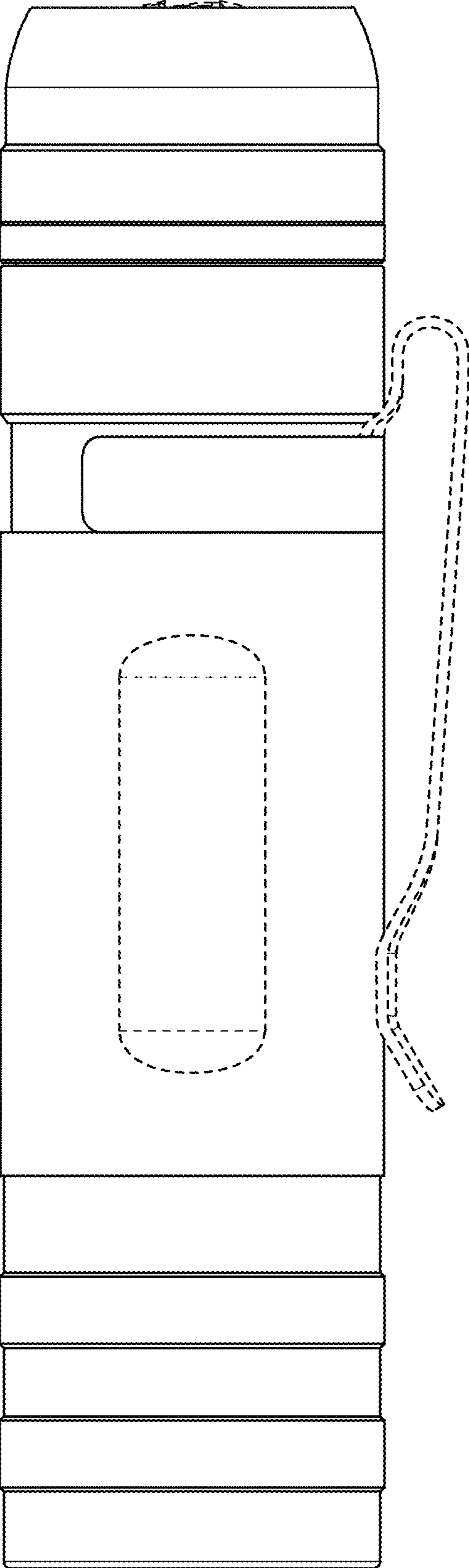


FIG. 3

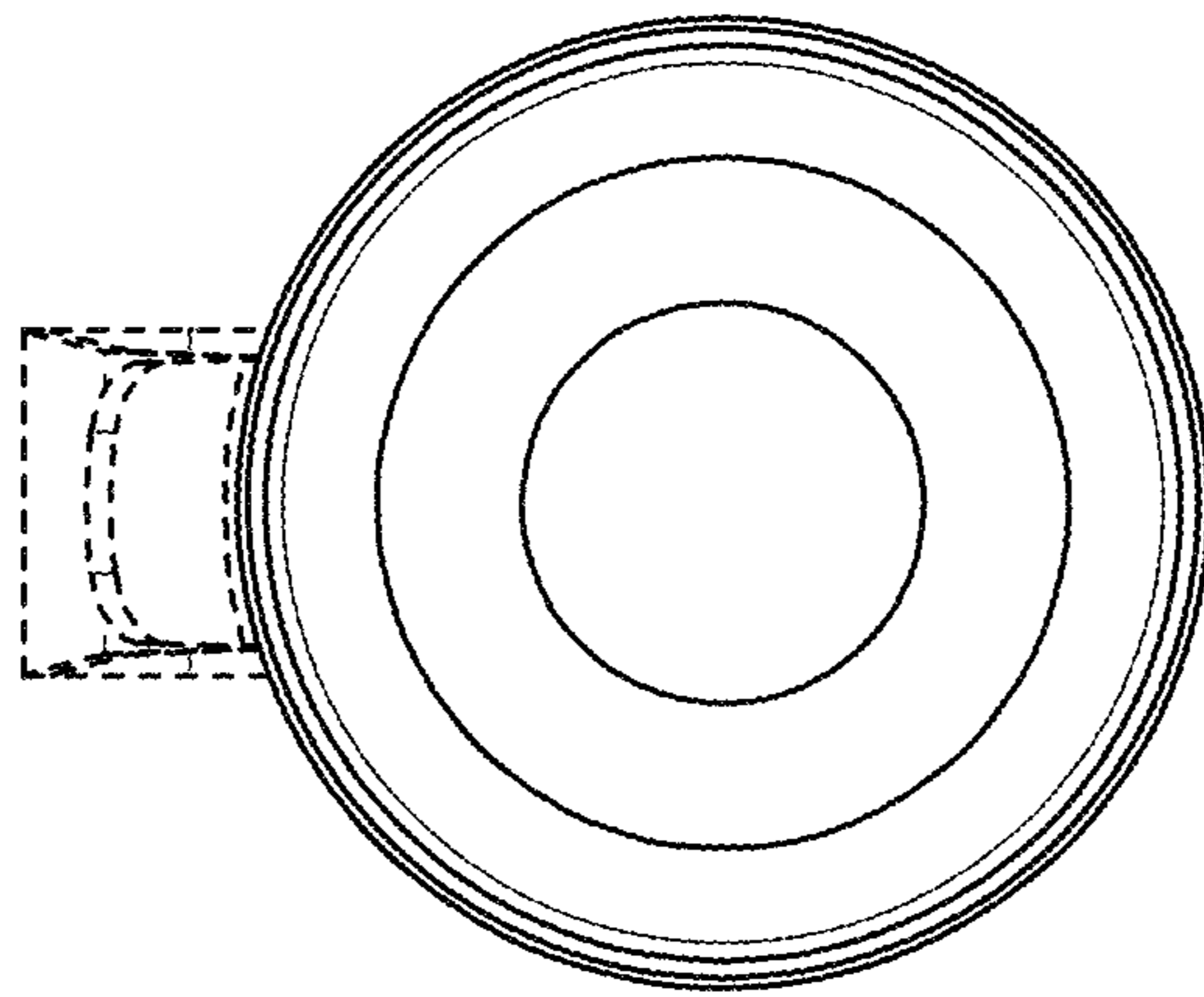


FIG. 4

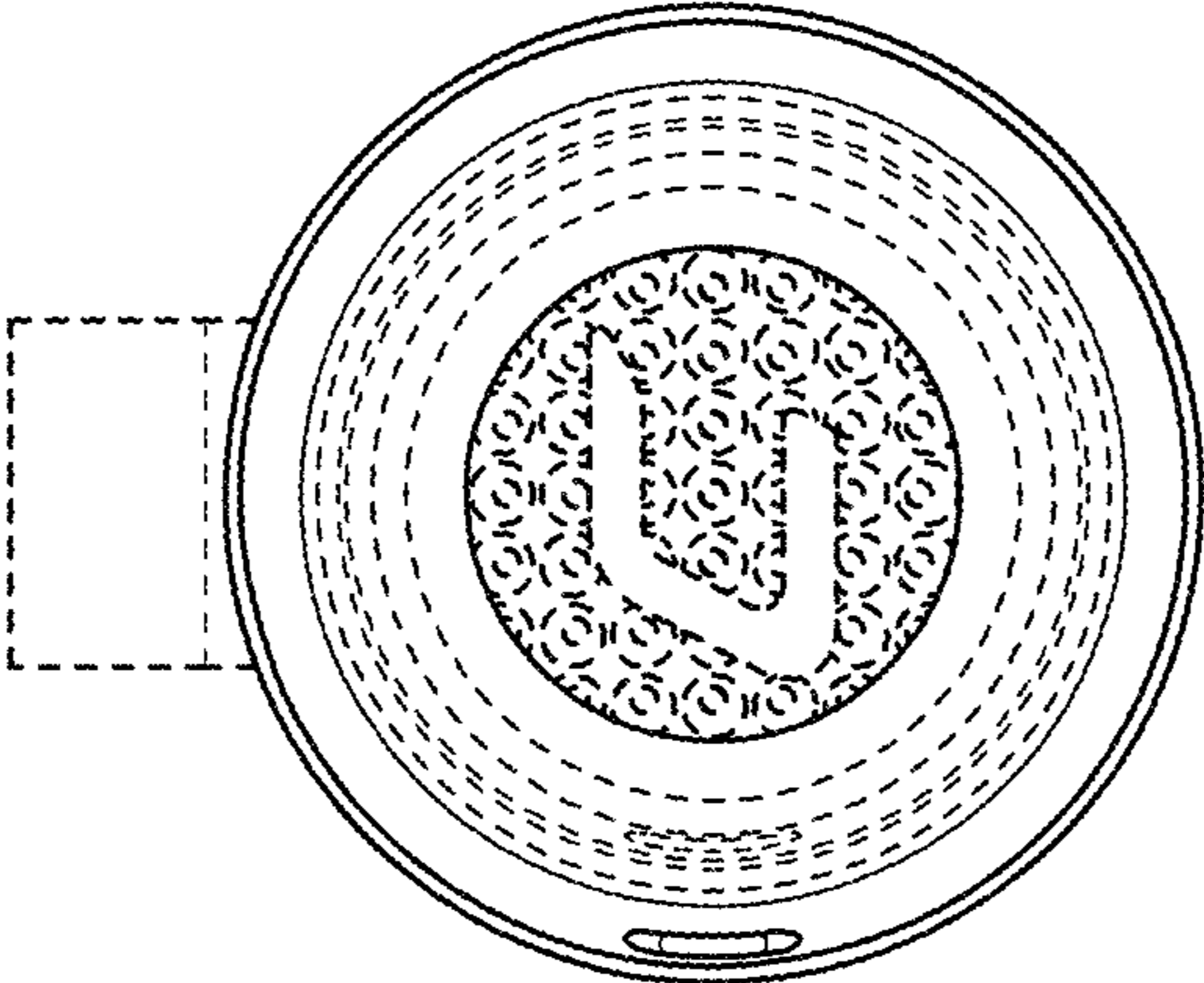


FIG. 5

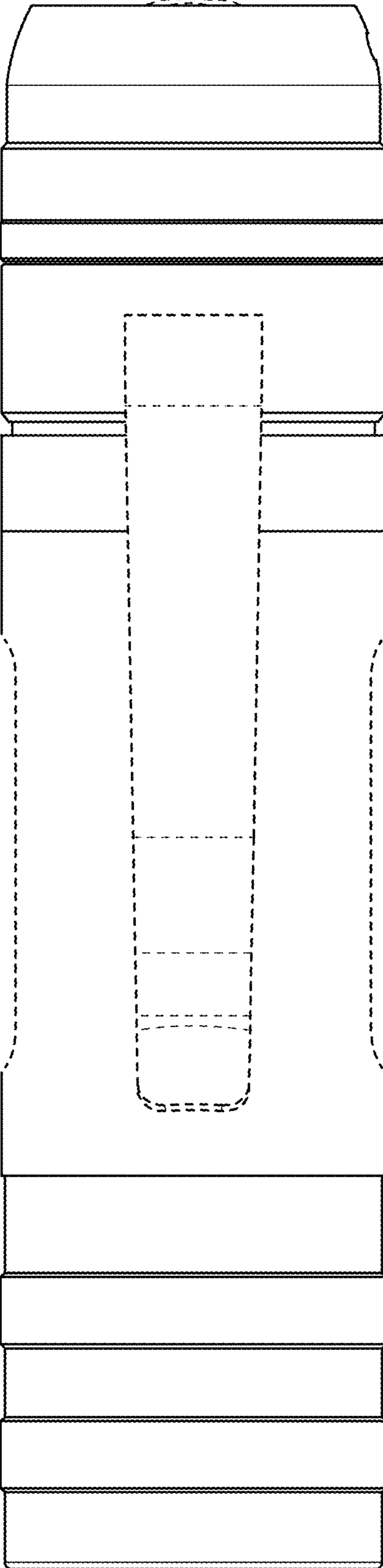


FIG. 6

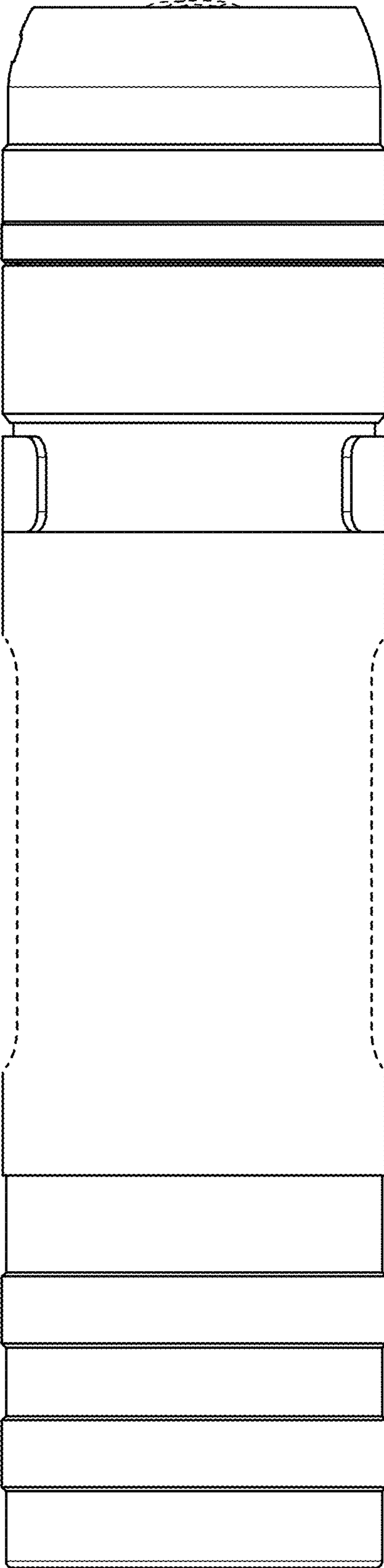


FIG. 7