



US00D802191S

(12) **United States Design Patent** (10) **Patent No.:** **US D802,191 S**  
**Hopkins** (45) **Date of Patent:** **\*\* Nov. 7, 2017**

(54) **FISHING LIGHT**  
(71) Applicant: **Nevin Hopkins**, Lebanon, TN (US)  
(72) Inventor: **Nevin Hopkins**, Lebanon, TN (US)  
(\*\*) Term: **15 Years**  
(21) Appl. No.: **29/562,263**  
(22) Filed: **Apr. 25, 2016**  
(51) **LOC (10) Cl.** ..... **26-02**  
(52) **U.S. Cl.**  
USPC ..... **D26/43**  
(58) **Field of Classification Search**  
USPC ..... D26/37, 38, 40, 42, 46, 49, 51, 43, 61,  
D26/62  
CPC ..... F21L 2003/00; F21L 4/00; F21L 4/005;  
F21L 4/02; F21L 4/025; F21L 4/027;  
F21L 4/04; F21L 4/08; F21L 2005/00;  
F21L 7/00; F21L 11/00; F21L 13/00;  
F21L 13/04; F21L 13/08; F21L 14/02;  
F21L 17/00; F21L 19/00  
See application file for complete search history.

6,474,851 B1 11/2002 Baley  
6,644,829 B1 11/2003 Tracy et al.  
D541,470 S \* 4/2007 Wu ..... D27/147  
D579,494 S \* 10/2008 Chan ..... D19/121  
D603,439 S \* 11/2009 Buchheim ..... D16/135  
D604,879 S \* 11/2009 Chan ..... D26/60  
D607,129 S \* 12/2009 Levine ..... D26/43  
D618,372 S \* 6/2010 Hopkins ..... D26/60  
8,333,060 B2 12/2012 Hopkins  
D704,367 S \* 5/2014 Kingston ..... D26/43  
D704,874 S \* 5/2014 Kellegan ..... D26/62  
D709,513 S \* 7/2014 Huang ..... D14/480.3  
D754,382 S \* 4/2016 van Oord ..... D26/61  
2013/0182386 A1\* 7/2013 Emami ..... G06F 1/16  
361/679.32

\* cited by examiner

*Primary Examiner* — Lakiya Rogers  
*Assistant Examiner* — Carissa C Fitts  
(74) *Attorney, Agent, or Firm* — Eric Karich; Karich & Associates

(57) **CLAIM**

The ornamental design for a fishing light, as shown and described.

**DESCRIPTION**

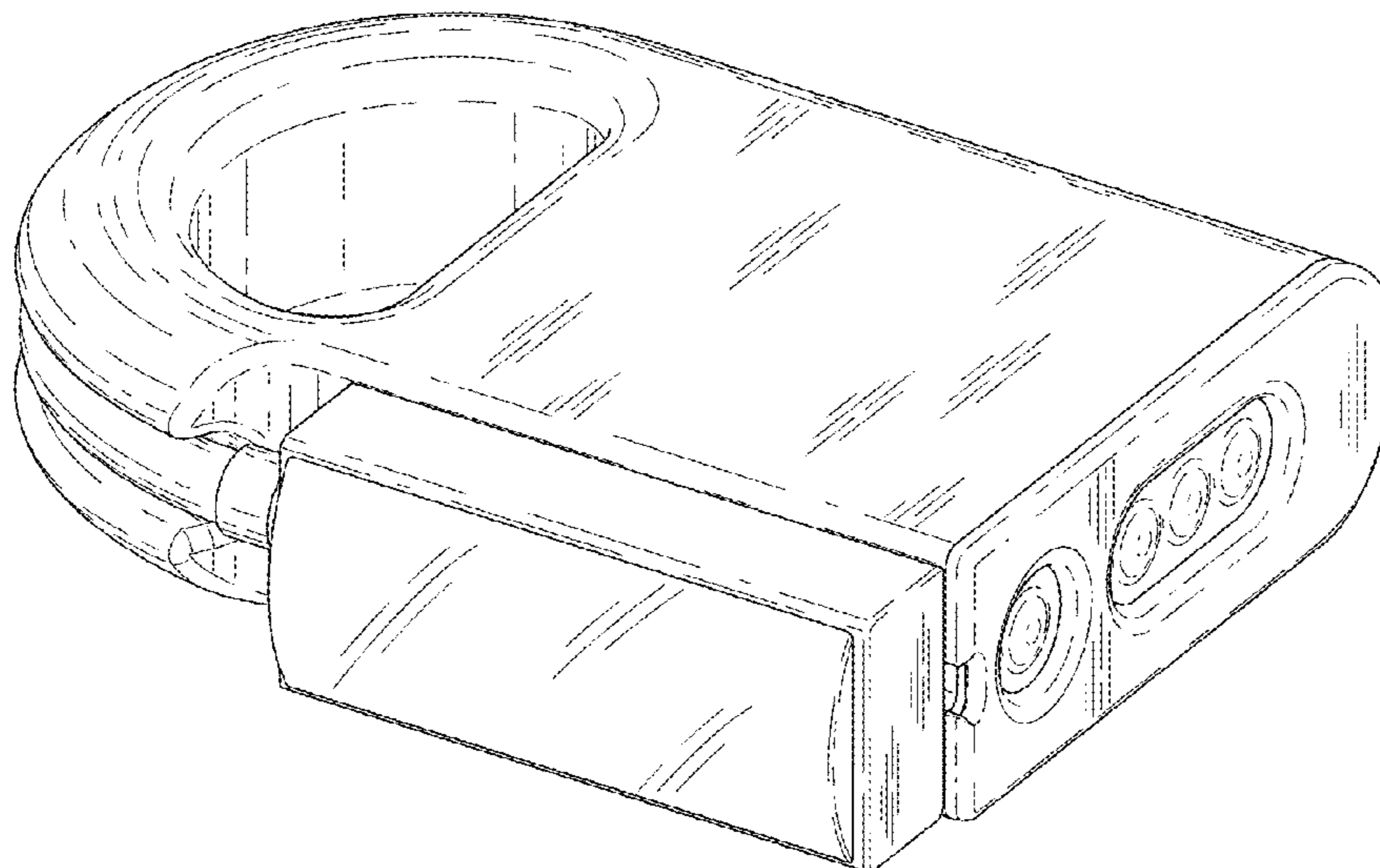
FIG. 1 is a perspective view of a fishing light, showing my new design, illustrating a lighting arm of the fishing light in a stowed configuration;  
FIG. 2 is a front elevational view thereof;  
FIG. 3 is a rear elevational view thereof;  
FIG. 4 is a left side elevational view thereof  
FIG. 5 is a right side elevational view thereof;  
FIG. 6 is a top plan view thereof;  
FIG. 7 is a bottom plan view thereof; and,  
FIG. 8 is a perspective view of the fishing light, illustrating the lighting arm of the fishing light in an extended configuration.

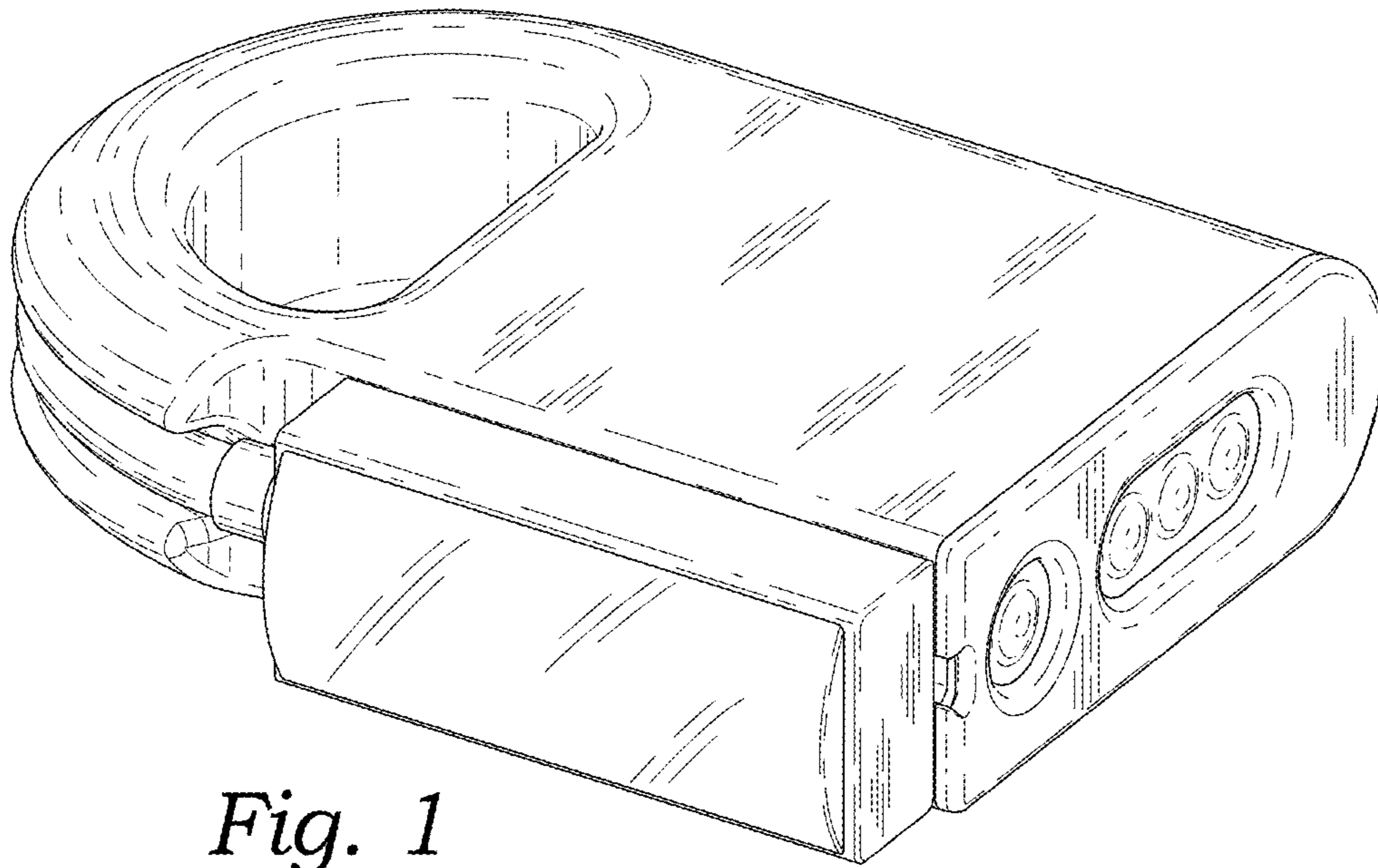
**1 Claim, 4 Drawing Sheets**

(56) **References Cited**

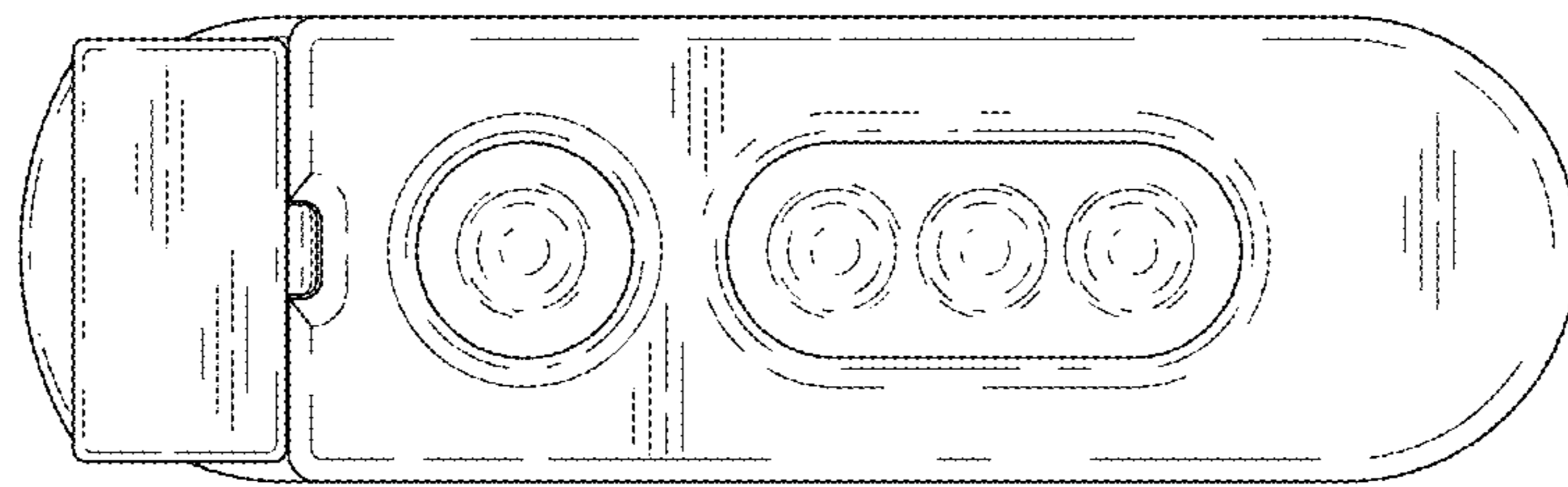
**U.S. PATENT DOCUMENTS**

3,838,267 A 9/1974 Eggers et al.  
D281,820 S \* 12/1985 Oba ..... D26/43  
D282,011 S \* 12/1985 Fackert ..... D26/62  
D283,056 S \* 3/1986 Ansems ..... D26/61  
5,175,437 A 12/1992 Waluszko  
D337,839 S \* 7/1993 Zeller ..... D26/43  
5,339,225 A 8/1994 Wiggerman  
D360,480 S \* 7/1995 Hon ..... D26/43  
D362,313 S \* 9/1995 Zeller ..... D26/43  
5,491,621 A 2/1996 Duty  
5,504,342 A 4/1996 Jaynes  
D380,567 S \* 7/1997 Hon ..... D26/38  
6,174,078 B1 1/2001 Ohm et al.  
D458,339 S 6/2002 Cheong

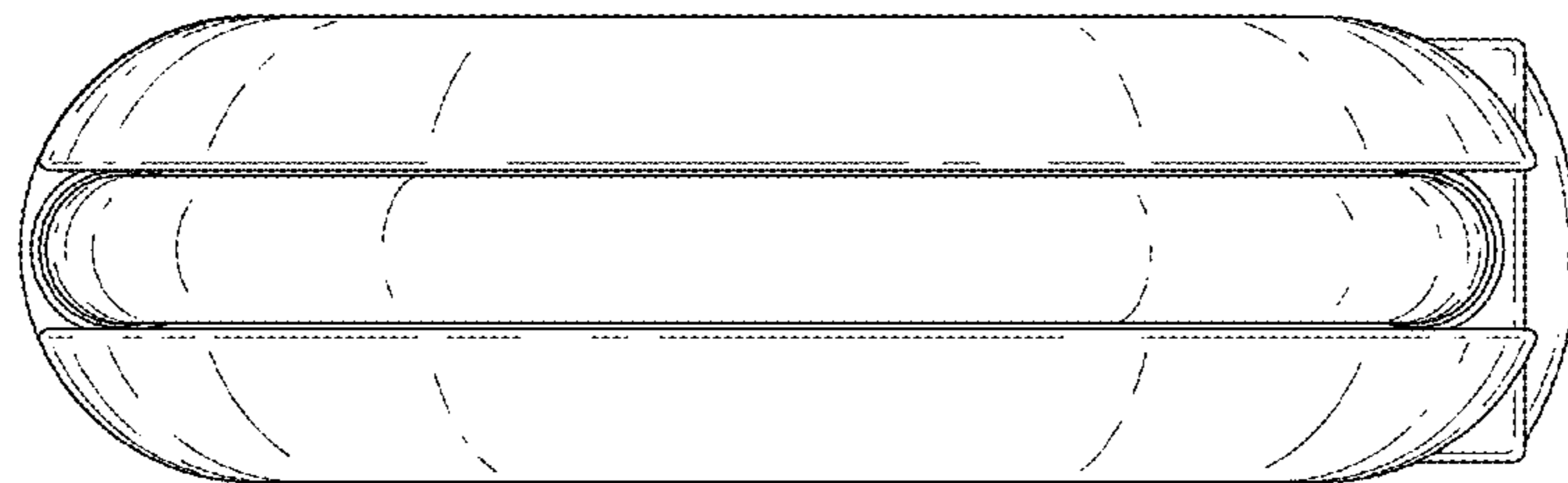




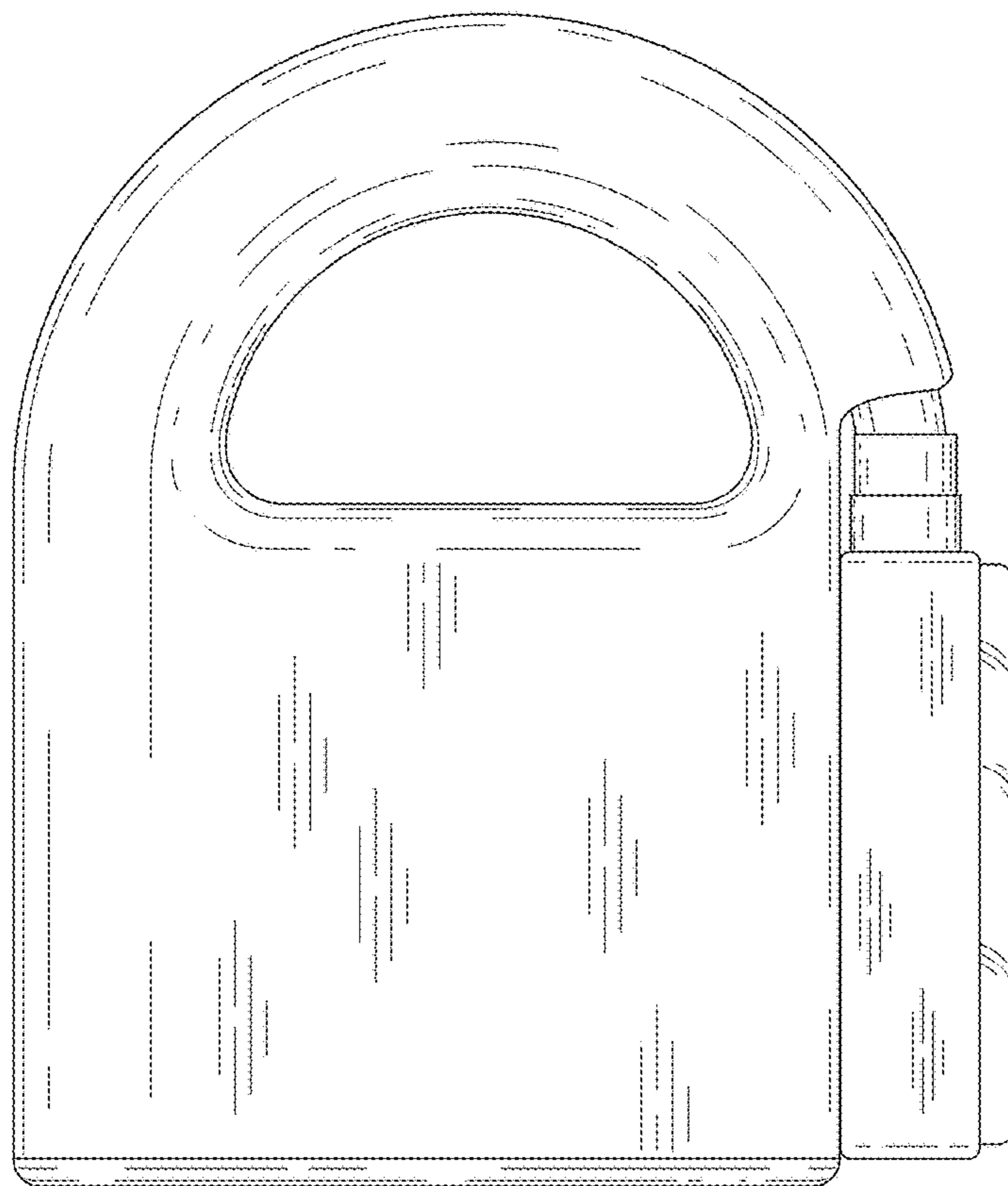
*Fig. 1*



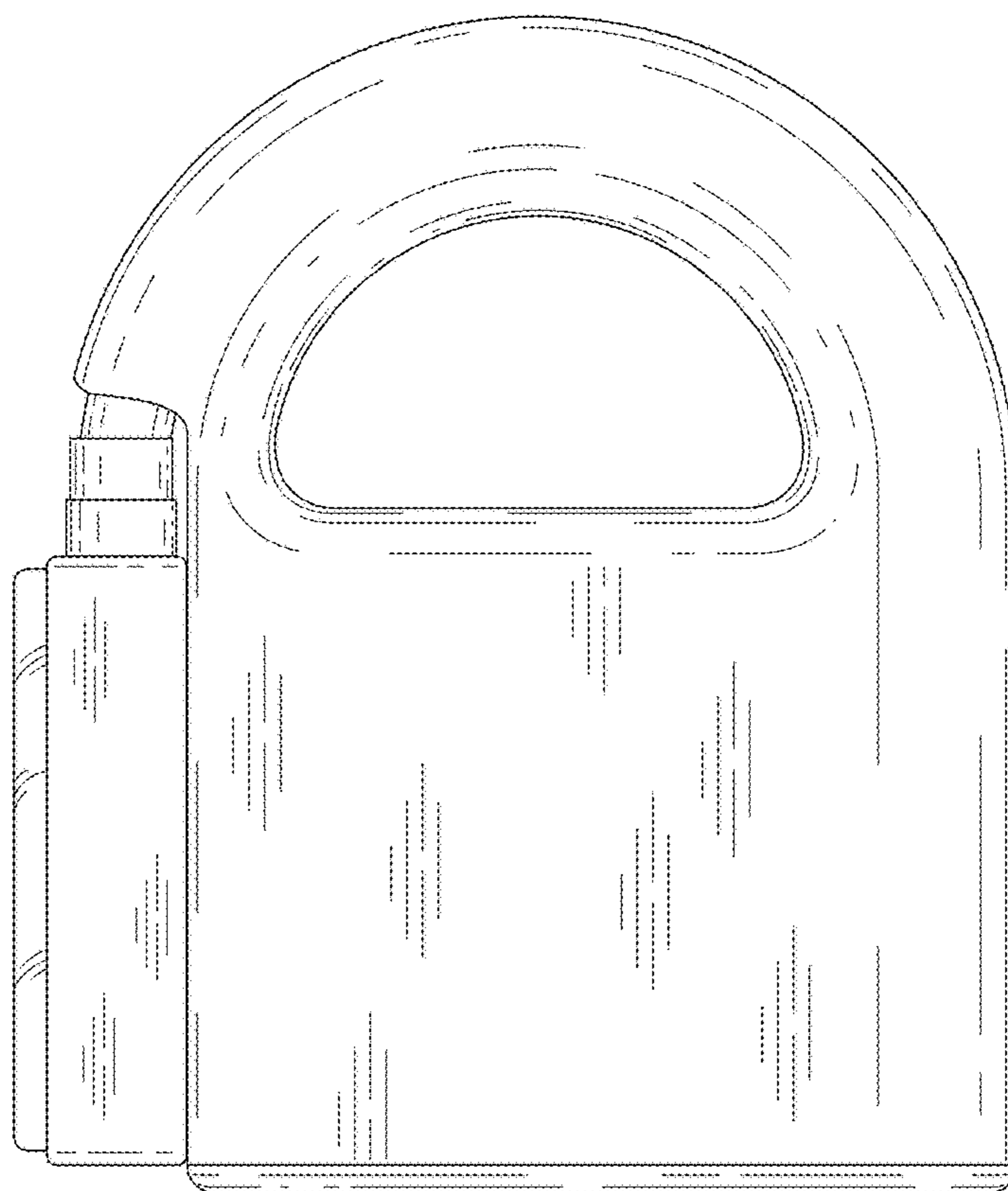
*Fig. 2*



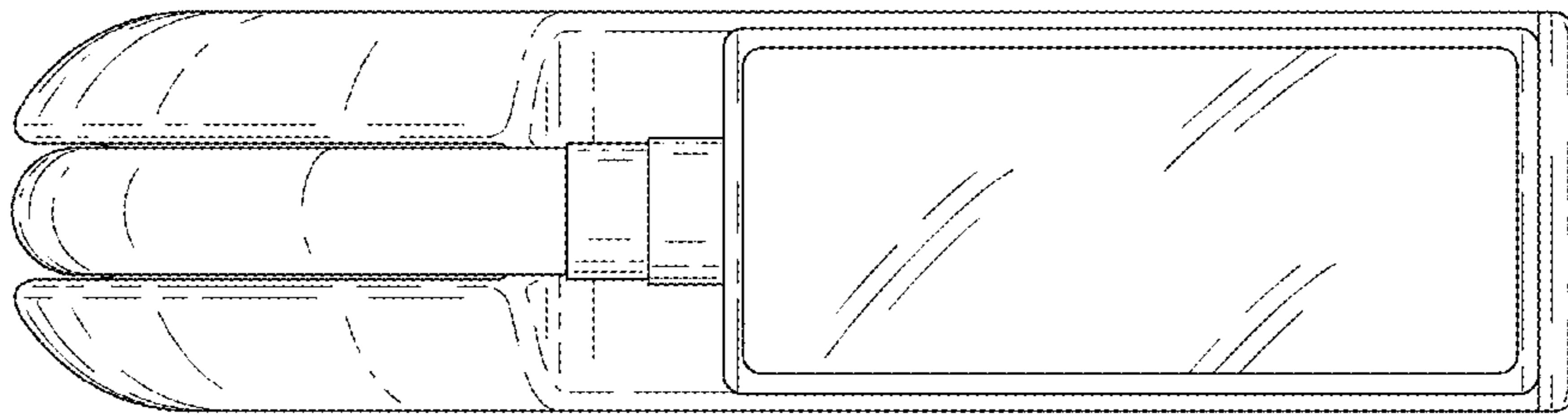
*Fig. 3*



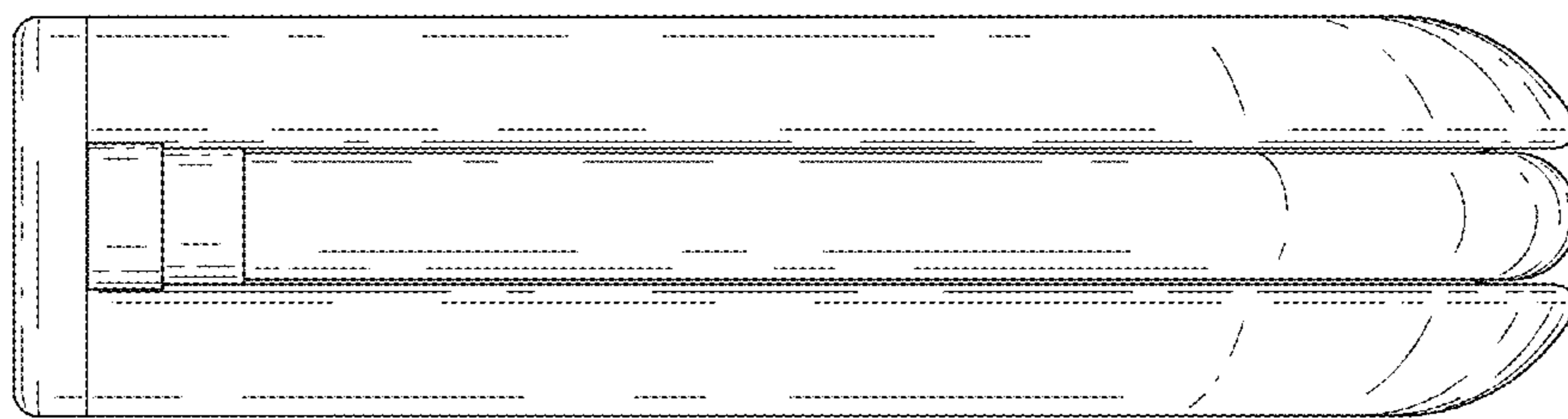
*Fig. 4*



*Fig. 5*



*Fig. 6*



*Fig. 7*

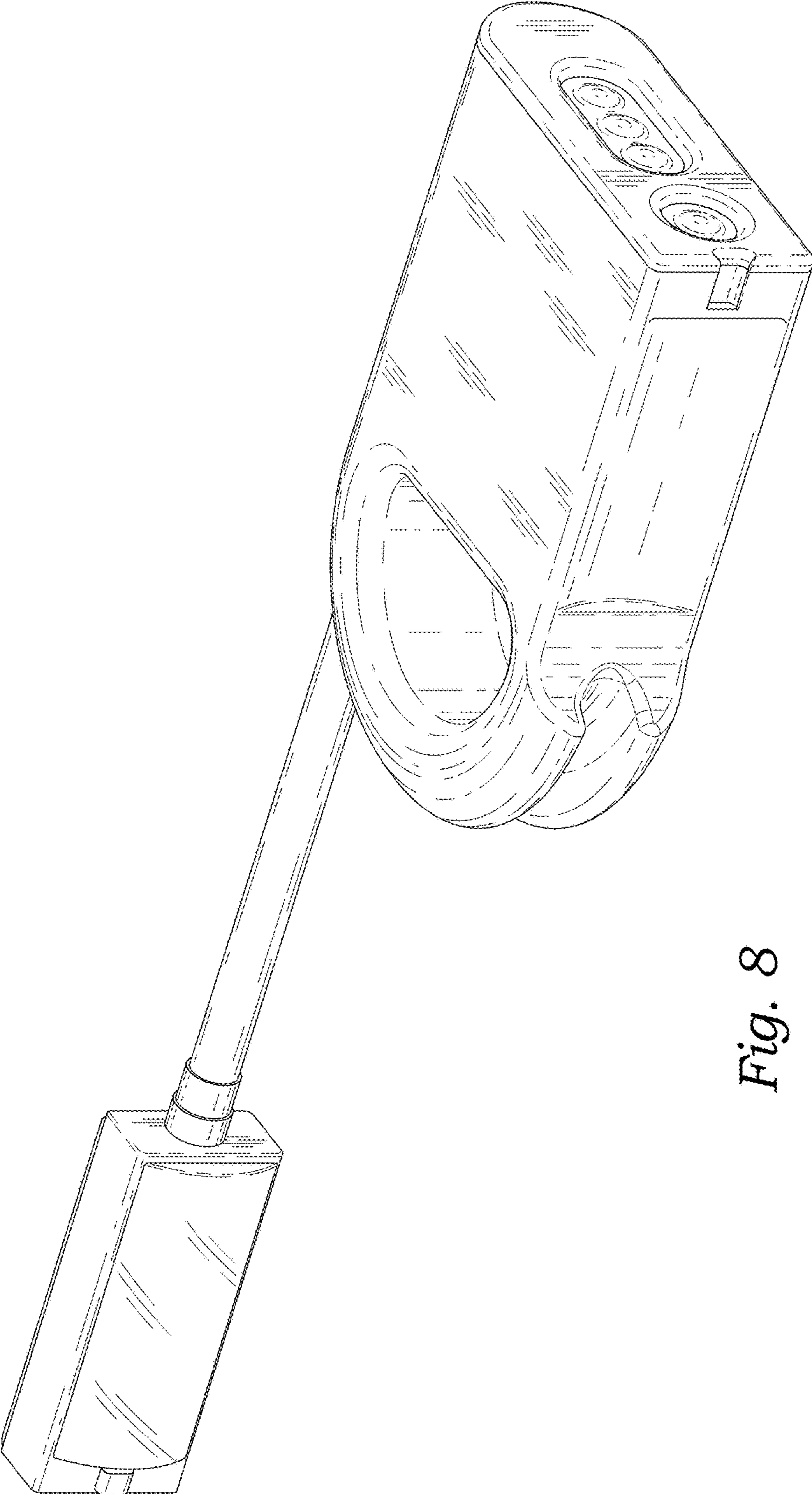


Fig. 8