



US00D802190S

(12) **United States Design Patent** (10) **Patent No.:** **US D802,190 S**
Green (45) **Date of Patent:** **** Nov. 7, 2017**

- (54) **FLEXIBLE LIGHT**
- (71) Applicant: **Home Depot Product Authority, LLC**,
Atlanta, GA (US)
- (72) Inventor: **Adam Green**, Marietta, GA (US)
- (73) Assignee: **Home Depot Product Authority, LLC**,
Atlanta, GA (US)
- (**) Term: **15 Years**
- (21) Appl. No.: **29/558,794**
- (22) Filed: **Mar. 22, 2016**

D376,862 S	12/1996	Carbone	
D378,858 S	4/1997	Kaiser	
D388,524 S	12/1997	Shiau	
D390,985 S	2/1998	Shiau	
D401,374 S	* 11/1998	Lum D26/38
D403,453 S	12/1998	Shiau	
D404,157 S	1/1999	Carbone	
D524,969 S	7/2006	Shiu	
D565,218 S	3/2008	Chien	
D621,537 S	8/2010	Borovicka	
D659,898 S	5/2012	Aaskov	
D687,175 S	7/2013	Levine	

- Related U.S. Application Data**
- (62) Division of application No. 29/500,245, filed on Aug. 22, 2014, now Pat. No. Des. 754,898.
 - (51) **LOC (10) Cl.** **26-02**
 - (52) **U.S. Cl.**
USPC **D26/43**
 - (58) **Field of Classification Search**
USPC D26/37-51, 56-60, 67; 362/103-105,
362/183-184, 194-196, 202-206;
D22/117
CPC ... F21L 4/00; F21L 4/005; F21L 4/022; F21L
4/025; F21L 4/027; F21L 7/00; F21L
19/00; F21V 21/084; F21V 21/0085;
F21W 2111/10
See application file for complete search history.

- (56) **References Cited**
U.S. PATENT DOCUMENTS
4,357,648 A * 11/1982 Nelson F21V 19/047
362/183
D368,542 S 4/1996 deBlois
D372,319 S 7/1996 Carbone
D373,649 S 9/1996 Carbone

OTHER PUBLICATIONS

Images of RAYOVAC Indestructible 2 AA Flashlight, DIY2AA-B, publicly available prior to Aug. 22, 2014.

* cited by examiner

Primary Examiner — Sandra Morris
(74) *Attorney, Agent, or Firm* — Greenberg Traurig, LLP

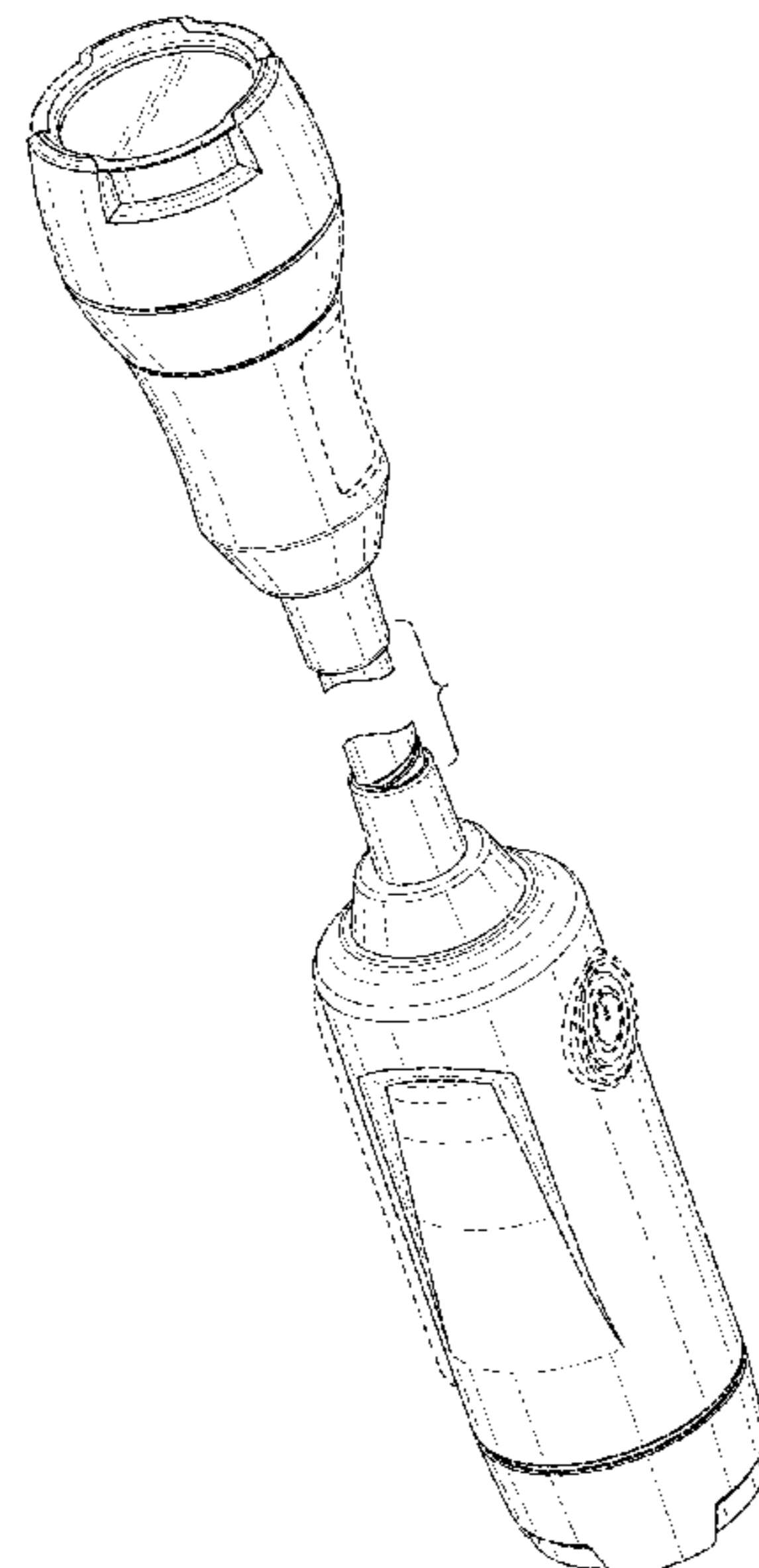
(57) **CLAIM**

The ornamental design for a flexible light, as shown and described.

DESCRIPTION

FIG. 1 is a perspective view of my flexible light;
FIG. 2 is front view thereof;
FIG. 3 is a back view thereof;
FIG. 4 is a left side view thereof, the right side being a mirror image thereof; and,
FIG. 5 is a top view thereof.
The oblique lines on the lens of my flexible light indicate that the lens is at least translucent and may be transparent. The bracketed separation of the flexible portion of my flexible light shown in FIGS. 1-4 indicates that the precise length of that flexible portion is not claimed.

1 Claim, 3 Drawing Sheets



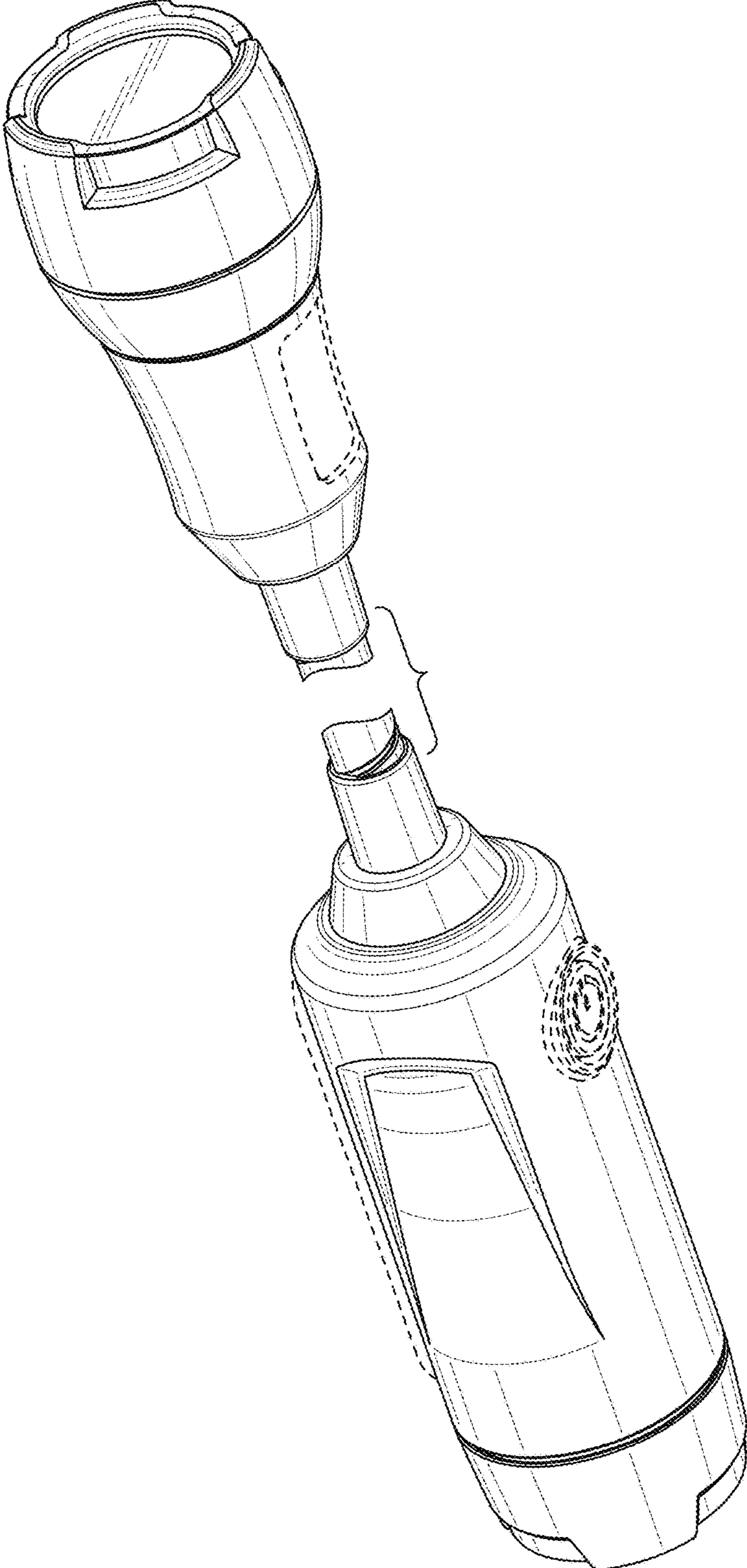


FIG. 1

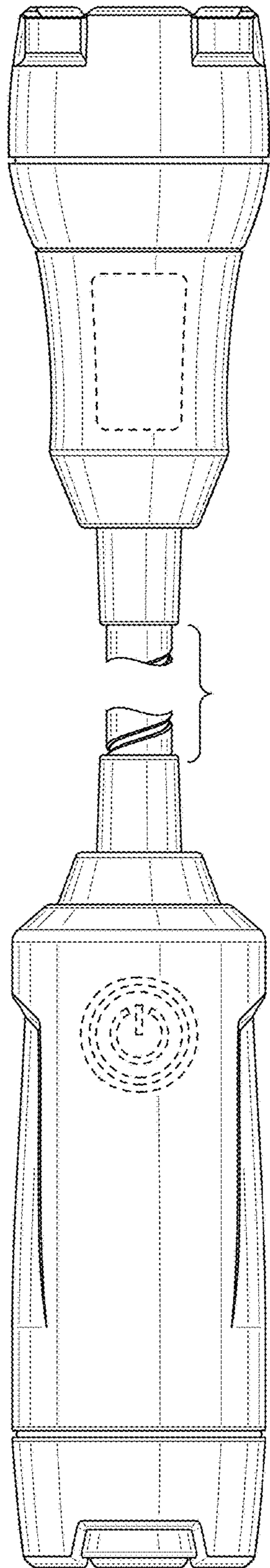


FIG. 2

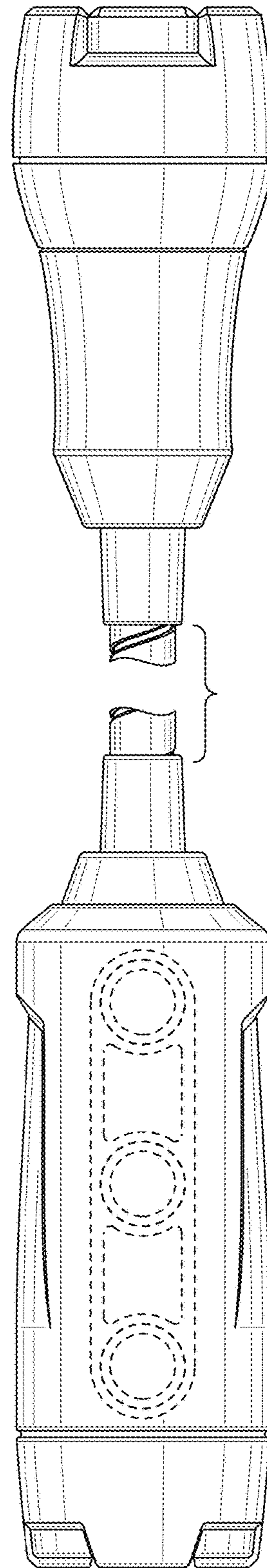


FIG. 3

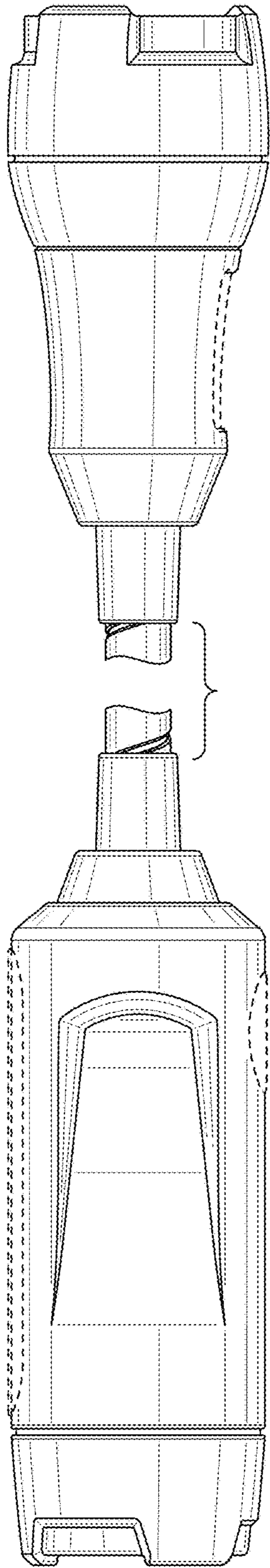


FIG. 4

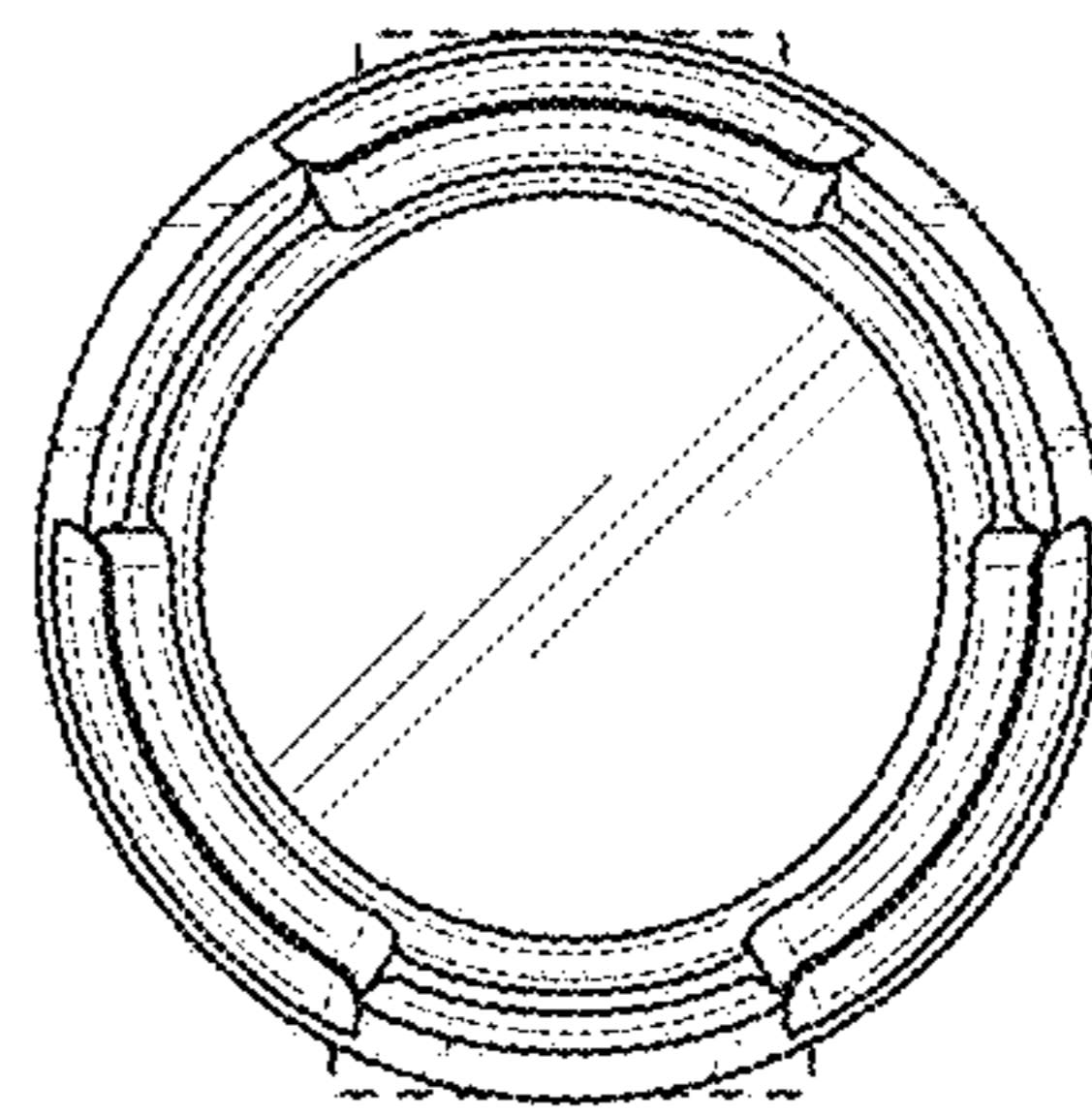


FIG. 5