



US00D802188S

(12) **United States Design Patent**
Chan

(10) **Patent No.:** **US D802,188 S**
(45) **Date of Patent:** **** Nov. 7, 2017**

(54) **FOOTBALL FLASHLIGHT**

(71) Applicant: **Sithon Chan**, Stockton, CA (US)

(72) Inventor: **Sithon Chan**, Stockton, CA (US)

(**) Term: **15 Years**

(21) Appl. No.: **29/549,099**

(22) Filed: **Dec. 18, 2015**

(51) **LOC (10) Cl.** **26-02**

(52) **U.S. Cl.**

USPC **D26/38**; D26/47

(58) **Field of Classification Search**

USPC D26/4, 7, 8, 37, 57, 38, 46, 47, 51;
D11/14, 40, 48, 79, 81, 121, 125;
D21/788, 318, 357, 712, 714; 473/570;
24/429; D3/207, 209, 211, 221
CPC ... F21L 2001/00; F21L 2003/00; F21L 21/00;
F21L 26/00; F21Y 2101/00; F21Y
2115/10; F21S 9/02; F21W 2111/10;
A44B 15/00

See application file for complete search history.

(56) **References Cited**

U.S. PATENT DOCUMENTS

1,528,463 A * 3/1925 Yungk G10K 1/071
116/148
3,042,404 A * 7/1962 Masters A63B 69/0086
473/424
D228,328 S * 9/1973 Schley D21/712
D243,143 S * 1/1977 Menzo D21/712
4,002,893 A * 1/1977 Newcomb A63B 43/06
273/DIG. 20
D248,189 S * 6/1978 Loomis D3/271.9
4,133,528 A * 1/1979 Koblick A63B 43/06
362/390
4,164,284 A * 8/1979 Witt B65D 11/02
206/217
4,350,338 A * 9/1982 May A63B 69/0079
473/423

D288,984 S * 3/1987 Scheurer D3/211
4,733,867 A * 3/1988 Kemp A63F 7/0668
273/108.5
5,066,012 A * 11/1991 Stark A63B 43/06
273/DIG. 20

(Continued)

FOREIGN PATENT DOCUMENTS

CN 302497997 * 7/2013

OTHER PUBLICATIONS

NPL #1: NFL Football Flashlight Key Ring, Ashley Gifts, amazon.com, posting date not given, verified purchase/review from Jan. 10, 2015 © 1996-2016 Amazon.com, [online], [site visited Oct. 5, 2016]. <URL:https://www.amazon.com/England-Patriots-Football-Flashlight-Ring/dp/B003YM7XDI/ref=sr_1_5?ie=UTF8&qid=1475678501&sr=8-5&keywords=football+keychain+light.*

(Continued)

Primary Examiner — Lakiya Rogers
Assistant Examiner — Altaira Swangin

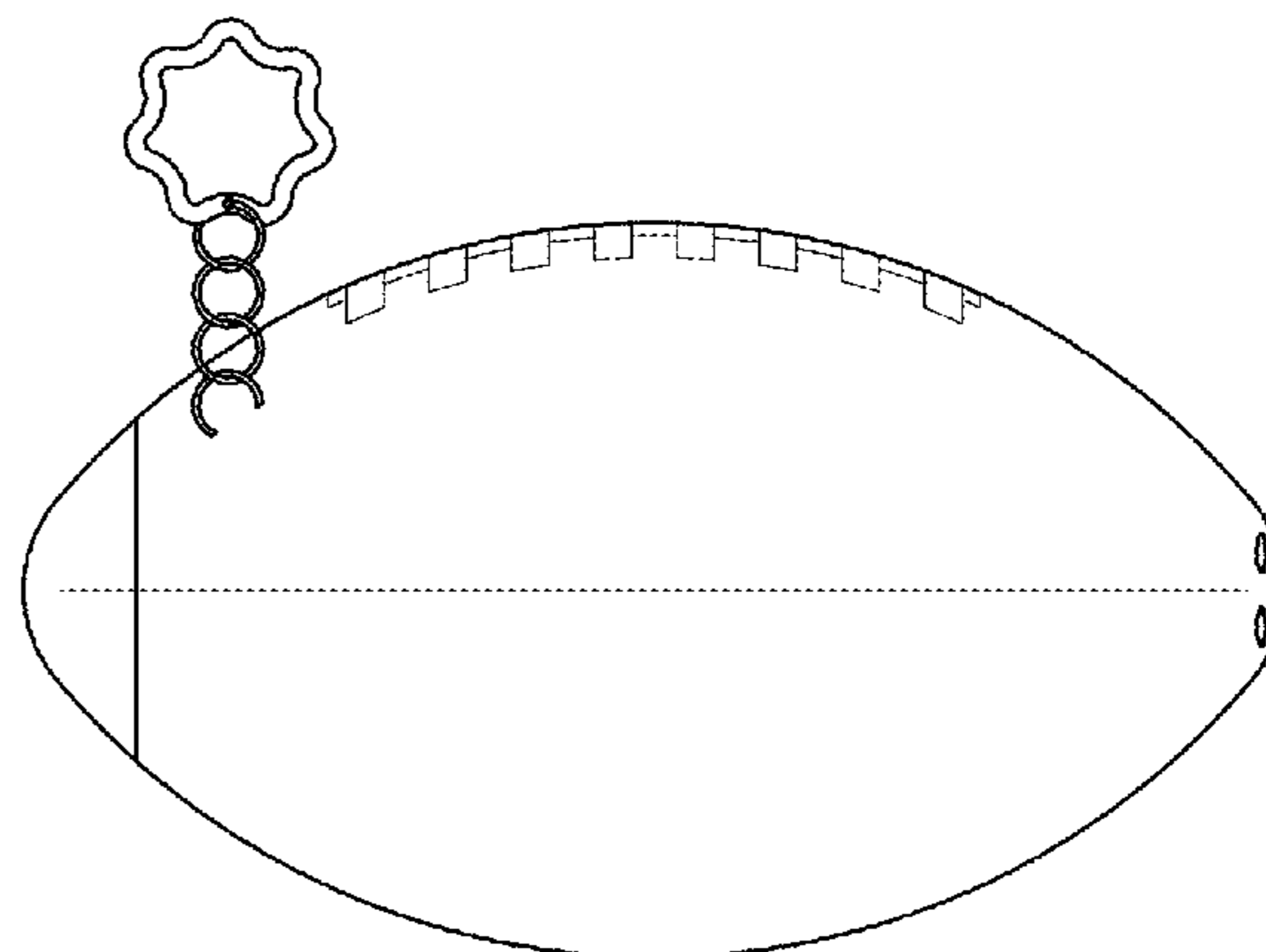
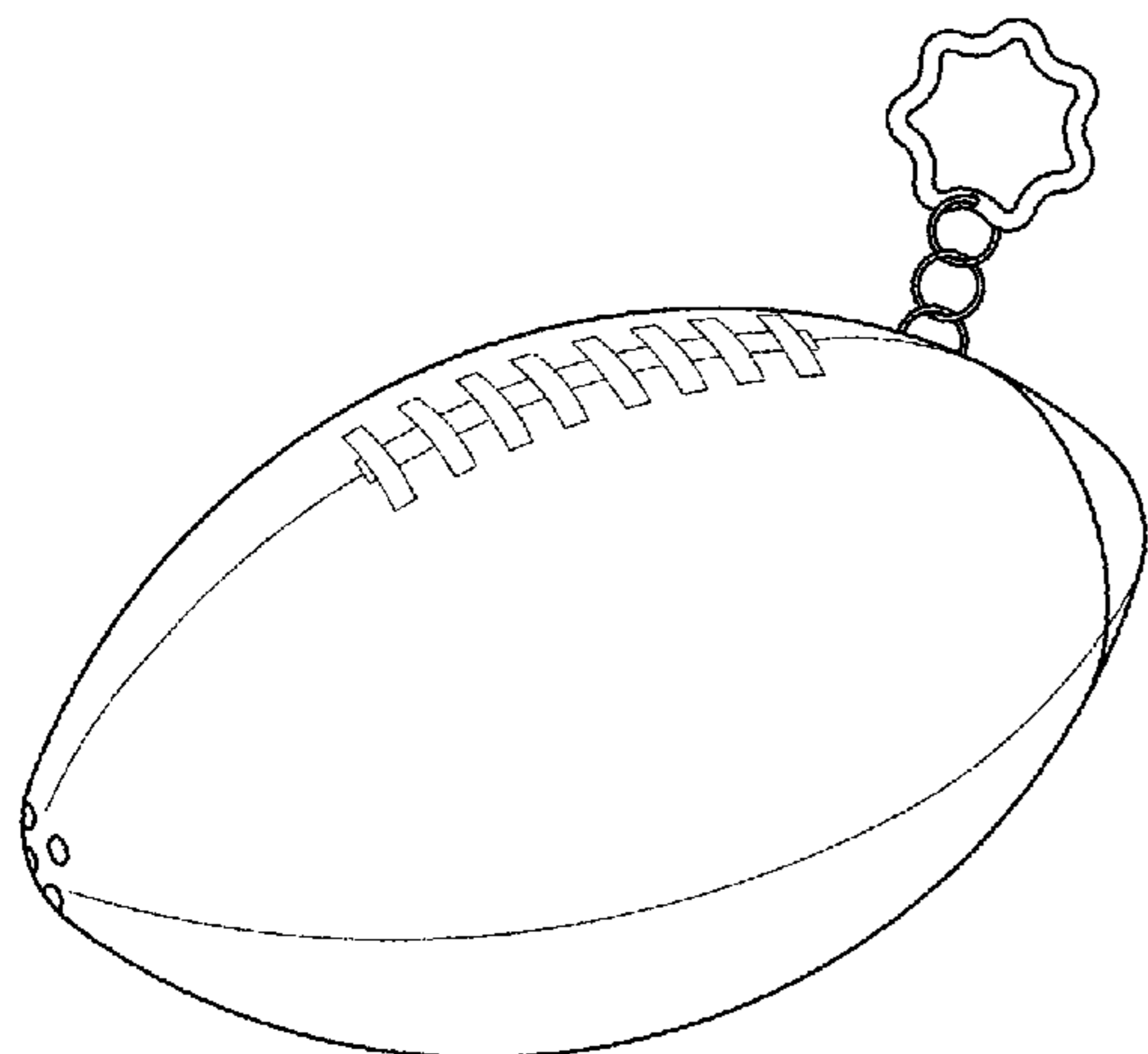
(57) **CLAIM**

The ornamental design for a football flashlight, as shown and described.

DESCRIPTION

FIG. 1 is a perspective view of a football flashlight showing my new design;
FIG. 2 is a top plan view of a football flashlight thereof;
FIG. 3 is a front elevational view of a football flashlight thereof;
FIG. 4 is a left-side elevational view of a football flashlight thereof;
FIG. 5 is a right-side elevational view of a football flashlight thereof;
FIG. 6 is a rear elevational view of a football flashlight thereof; and,
FIG. 7 is a bottom view of a football flashlight.

1 Claim, 2 Drawing Sheets



(56)

References Cited

U.S. PATENT DOCUMENTS

5,080,359 A * 1/1992 Thill A63B 43/008
273/DIG. 24
5,228,690 A * 7/1993 Rudell A63B 43/007
273/DIG. 30
D339,916 S * 10/1993 Behbahani D21/712
5,288,069 A * 2/1994 Matsumoto A63B 43/00
446/484
5,316,293 A * 5/1994 Hamilton A63B 43/00
446/400
5,398,928 A * 3/1995 Rudell A63B 43/00
273/DIG. 30
D365,443 S * 12/1995 Wu D3/226
D371,934 S * 7/1996 Cwirko D7/511
D373,628 S * 9/1996 DiSandro D23/377
D374,678 S * 10/1996 Yang D16/132
D374,680 S * 10/1996 Yang D16/133
D384,587 S * 10/1997 Ohren D10/2
D388,680 S * 1/1998 Lin D19/82
D398,714 S * 9/1998 Delfini D27/195
D400,668 S * 11/1998 Bloom D21/712
D401,293 S * 11/1998 Alarid, Jr. D21/712
D408,935 S * 4/1999 Wan D26/38
5,976,038 A * 11/1999 Orenstein A63B 71/0605
342/127
D419,212 S * 1/2000 Cooper D21/716
D424,064 S * 5/2000 Suh D14/232
D426,541 S * 6/2000 Morgan D14/232
D440,252 S * 4/2001 Cohen D19/155
D446,148 S * 8/2001 Kelly D11/6
D474,872 S * 5/2003 Sullivan D99/26
D481,162 S * 10/2003 Lin D21/712
6,722,889 B1 * 4/2004 Page A63B 41/08
434/251
6,726,580 B2 * 4/2004 Peterson A63B 41/00
473/570
6,796,675 B2 * 9/2004 Galli F21L 4/005
200/60
6,799,862 B2 * 10/2004 Galli F21L 4/005
200/60
D500,103 S * 12/2004 Lowinger D21/698
D505,594 S * 5/2005 Minor D3/271.9
D507,314 S * 7/2005 Horkan D21/712
D519,729 S * 5/2006 Gotlieb D3/211
D520,230 S * 5/2006 Gotlieb D3/211
D520,737 S * 5/2006 Gotlieb D3/211
D551,721 S * 9/2007 Cooper D21/406
D552,307 S * 10/2007 Renforth D30/160
D562,177 S * 2/2008 Cohen D11/81
D565,125 S * 3/2008 Collier D21/405
D565,288 S * 4/2008 Hickman D3/201
D575,079 S * 8/2008 Hirsh D6/665
D577,486 S * 9/2008 Kudarauskas D3/211
D584,778 S * 1/2009 Bevier D21/712
D621,657 S * 8/2010 Quinn D7/507

D633,477 S * 3/2011 Lorenzo D11/200
D637,666 S * 5/2011 Erickson D21/712
8,029,393 B2 * 10/2011 Frazier A63B 43/002
473/577
D653,809 S * 2/2012 Gelin D21/712
8,187,126 B2 * 5/2012 Martino A63B 43/00
473/570
D665,040 S * 8/2012 Lowinger D21/712
D675,032 S * 1/2013 Sutton D6/316
D679,211 S * 4/2013 Berning D10/109.1
D700,281 S * 2/2014 Bollerod D23/213
8,926,458 B1 * 1/2015 Wood A63B 43/002
473/570
8,936,523 B2 * 1/2015 Manners A63B 69/002
473/422
D749,458 S * 2/2016 Vaughan D11/81
9,408,779 B2 * 8/2016 Stewart A61J 9/06
D793,500 S * 8/2017 Dingle D21/712
D794,131 S * 8/2017 Capozzi D21/398
2003/0066902 A1 * 4/2003 Georgescu A61L 9/12
239/57
2008/0039246 A1 * 2/2008 Martino A63B 43/00
473/569
2009/0191990 A1 * 7/2009 Smith A63B 43/06
473/570
2010/0035710 A1 * 2/2010 Smith A63B 43/06
473/570
2010/0186205 A1 * 7/2010 Stehman, Jr. A43B 3/0005
24/715.4
2011/0118062 A1 * 5/2011 Krysiak A63B 41/02
473/570
2013/0111717 A1 * 5/2013 Rogers A43C 7/005
24/712.3
2013/0337948 A1 * 12/2013 Smith A63B 43/06
473/570
2014/0243122 A1 * 8/2014 Crowley A63B 43/06
473/570
2015/0176784 A1 * 6/2015 Hu F21S 4/006
315/76
2016/0169463 A1 * 6/2016 Gunderson F21S 9/02
362/157

OTHER PUBLICATIONS

NPL #2: Football Stress Keychain, Bluetrack, bluetrack.com, posted Sep. 27, 2013 © 2001-2016 Bluetrack, Inc. [online], [site visited Oct. 5, 2016]. <URL:https://www.bluetrack.com/squeeze/football-stress-ball-keychains.html.*
NPL #3: Football Stress Ball Key Chain, Garrett Specialties, garrettspecialties.com, updated Apr. 27, 2015 © 1998-2016 Garrett Specialties [online], [site visited Oct. 5, 2016]. <URL:http://www.garrettspecialties.com/football-stress-ball-key-chain-p-14842.html.*

* cited by examiner

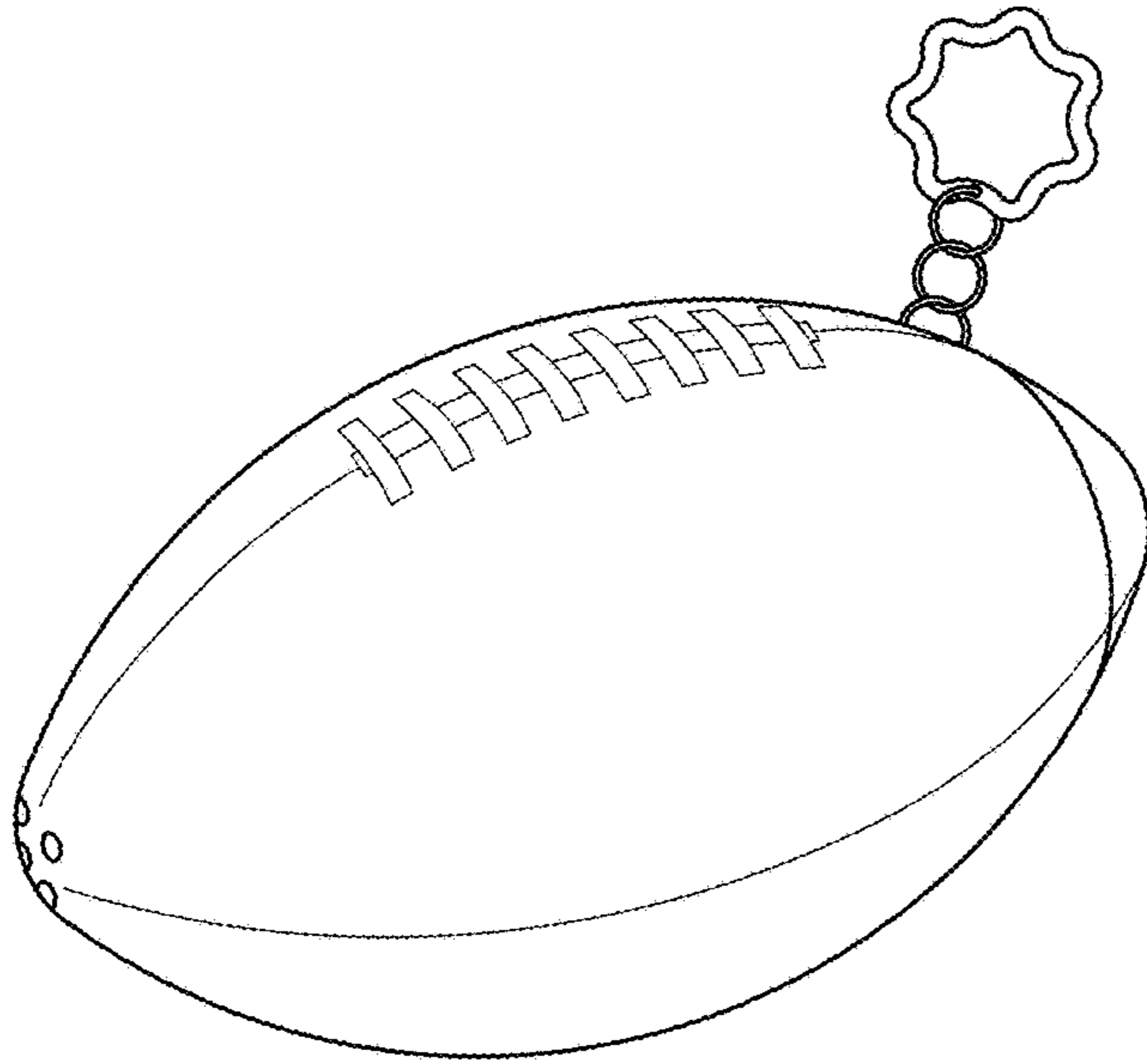


FIG. 1

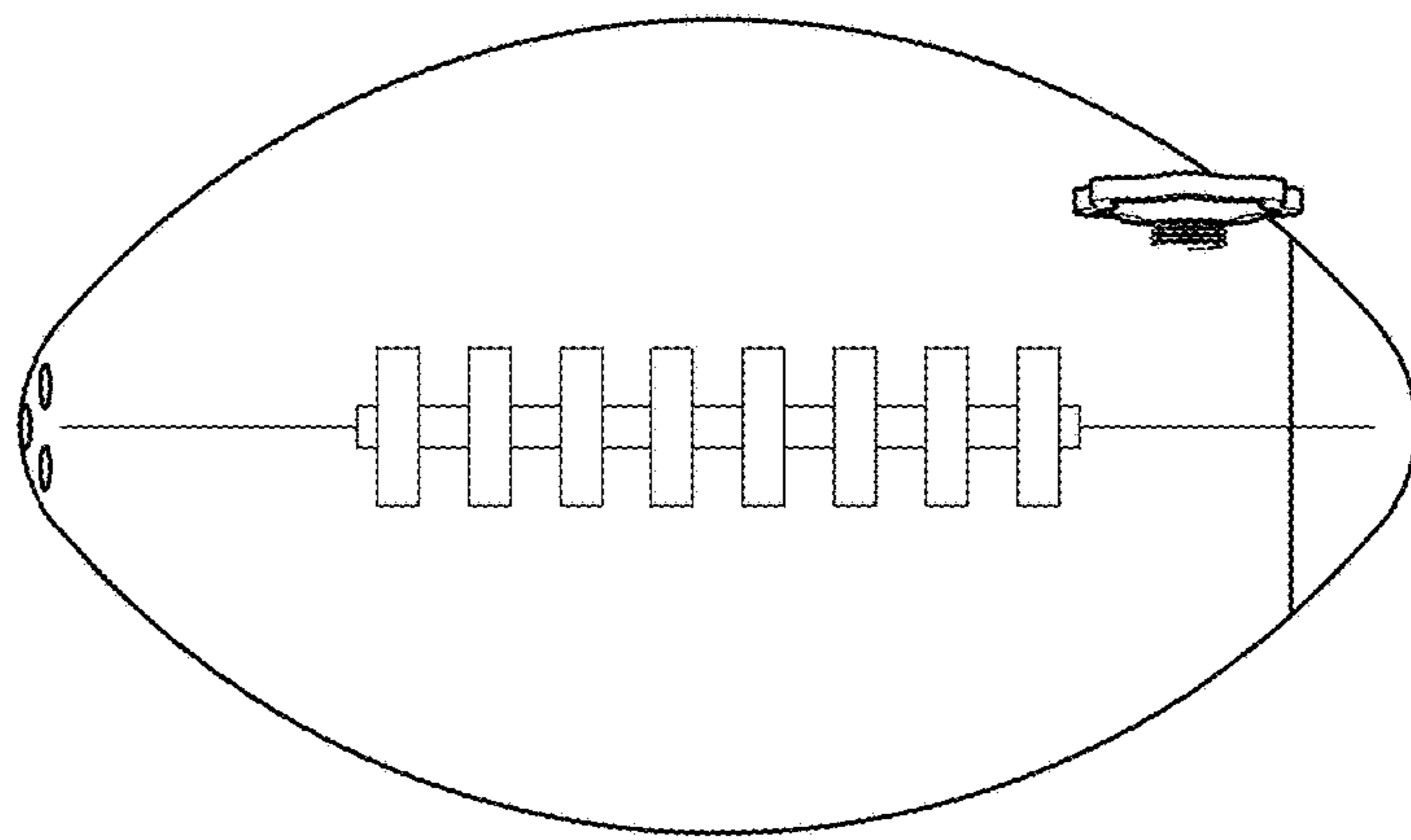


FIG. 2

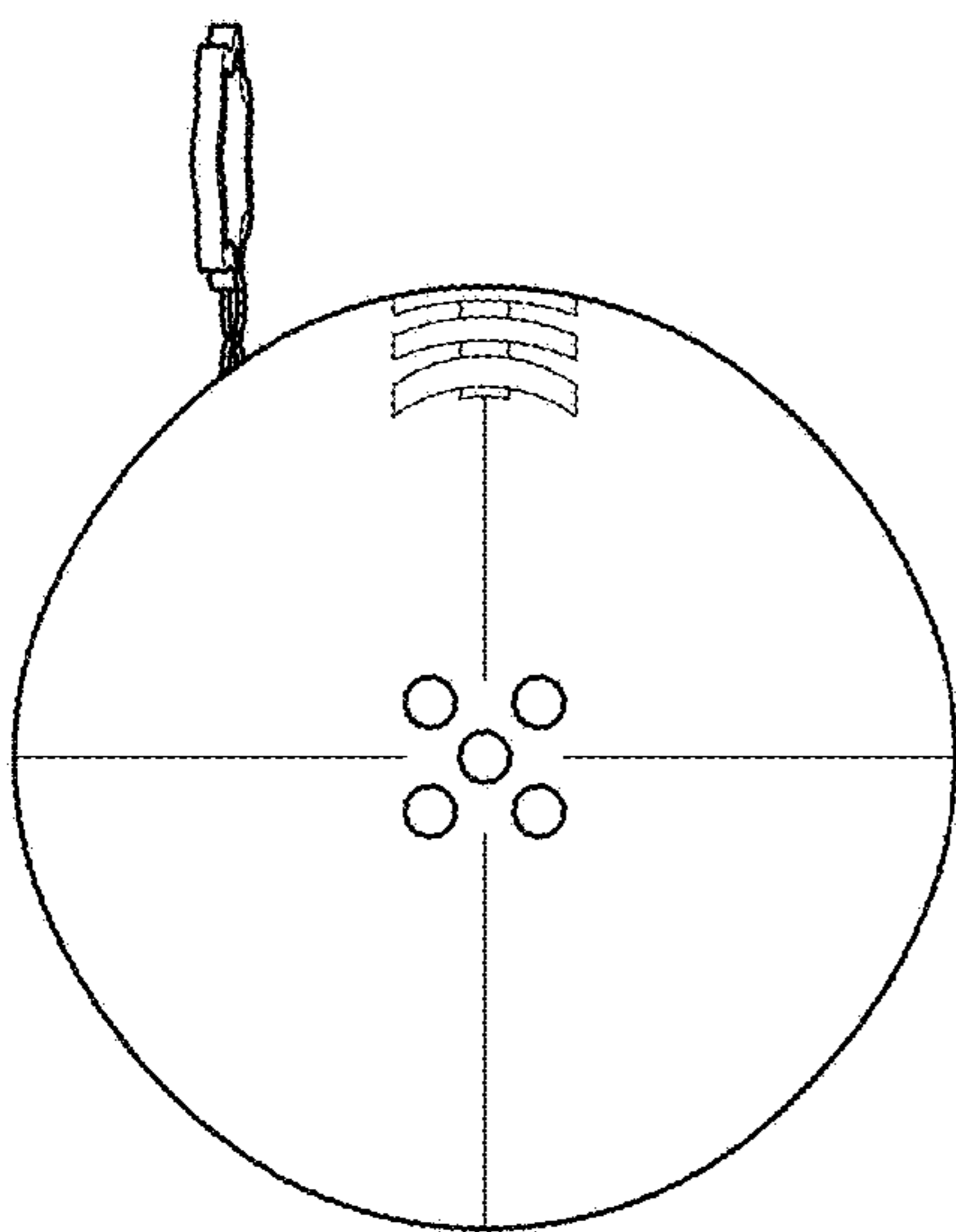


FIG. 3

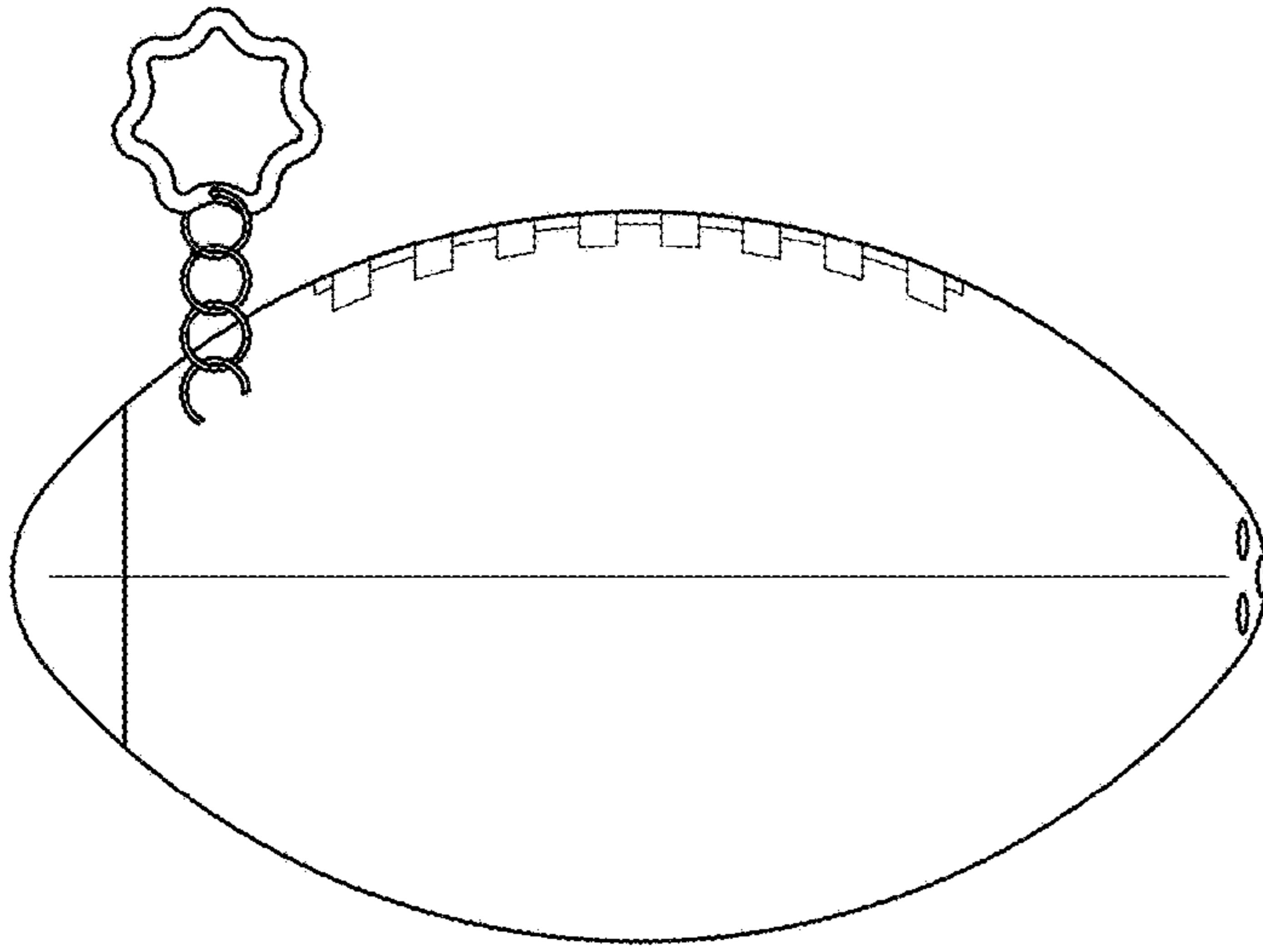


FIG. 5

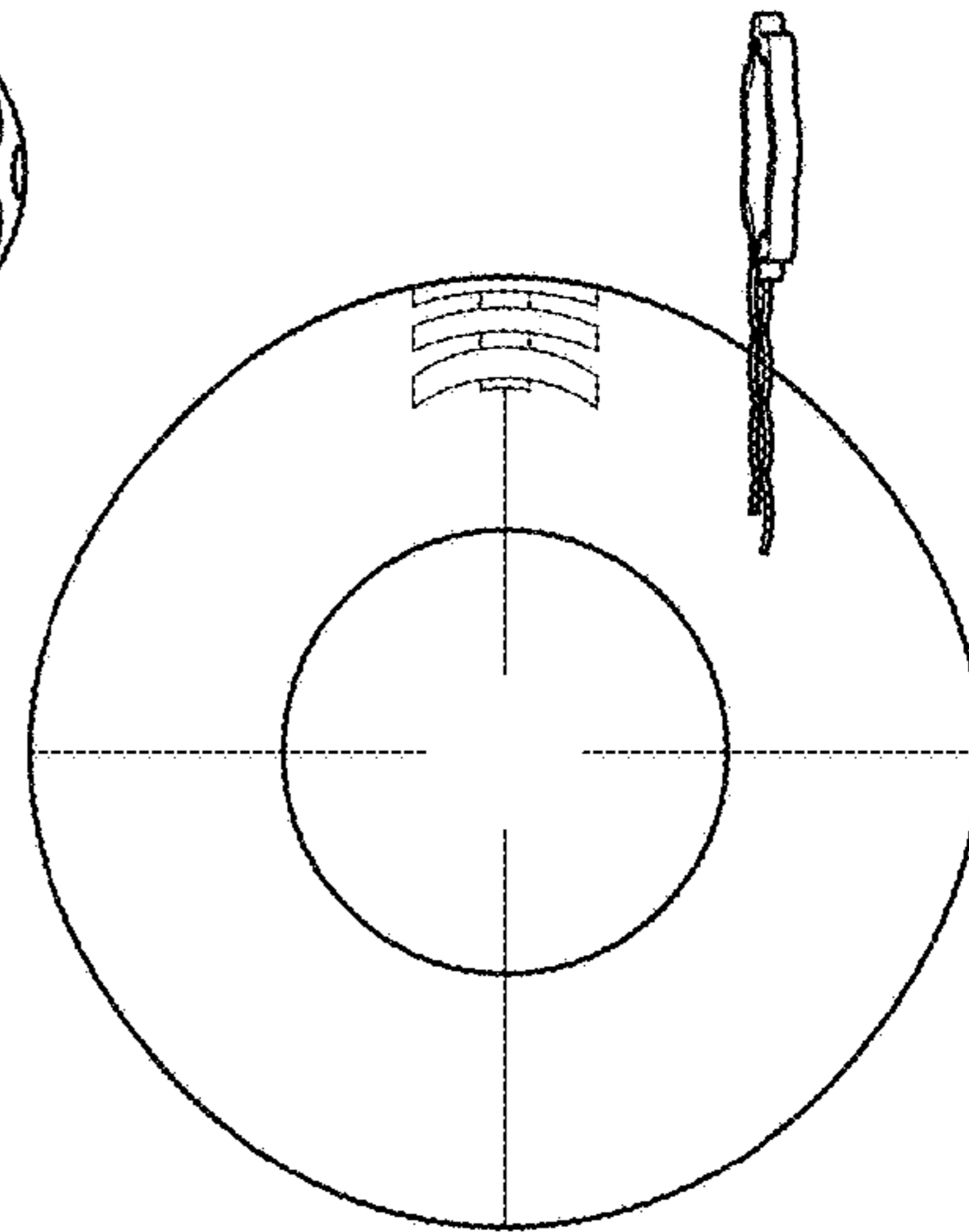


FIG. 6

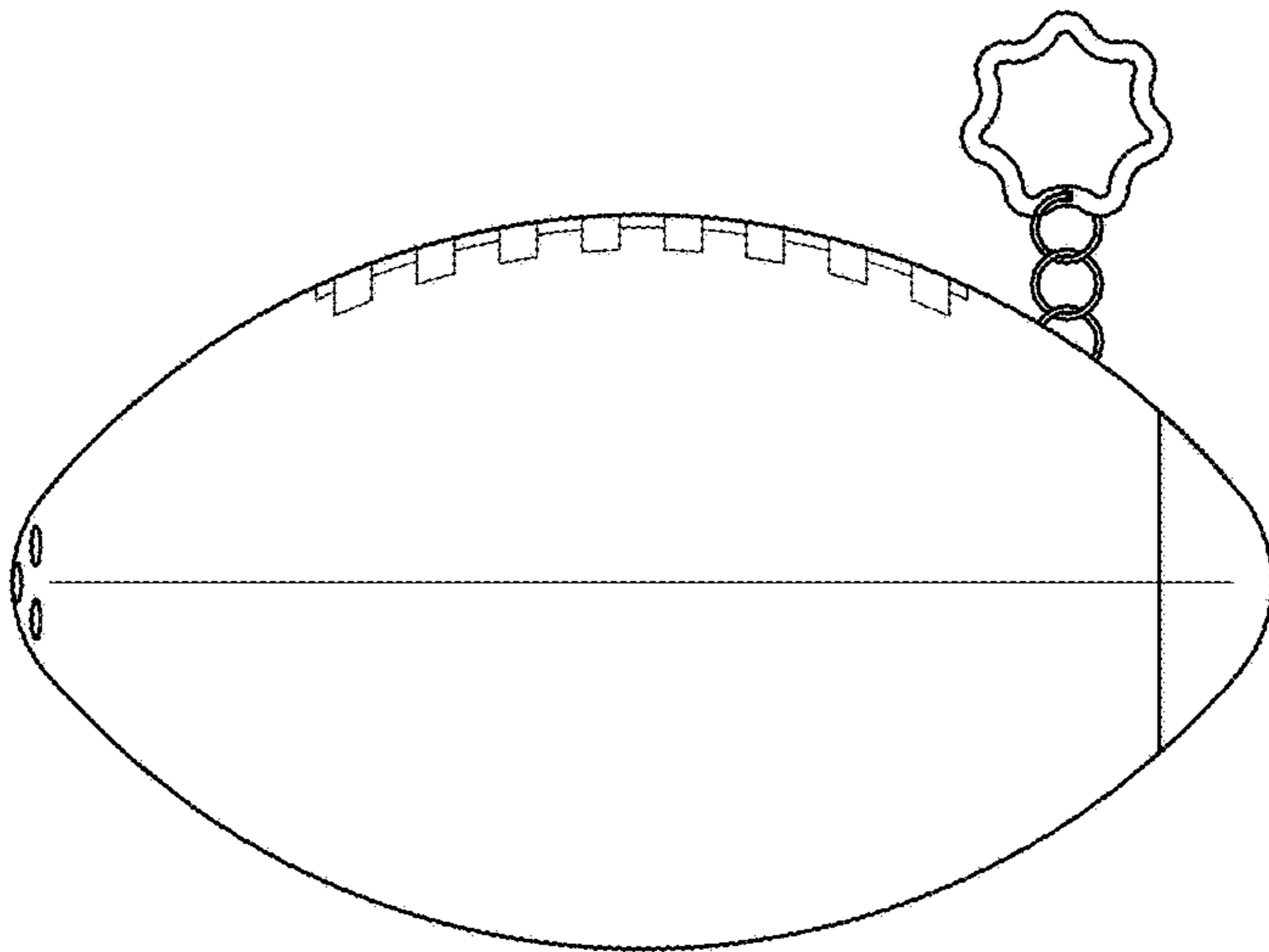


FIG. 4

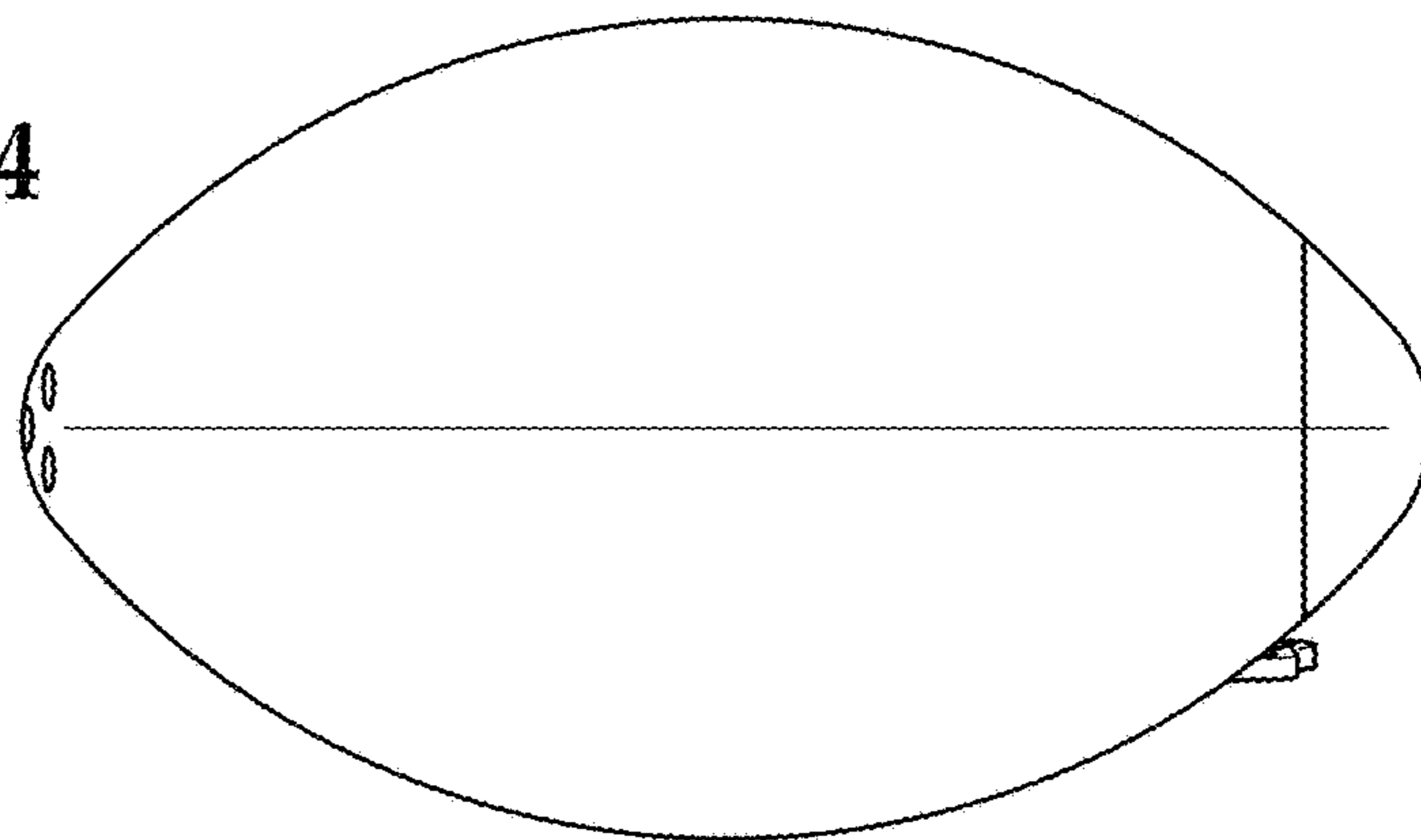


FIG. 7