



US00D802187S

(12) **United States Design Patent**
Roach et al.

(10) **Patent No.:** **US D802,187 S**

(45) **Date of Patent:** **** Nov. 7, 2017**

(54) **LIGHT BAR ASSEMBLY**

(71) Applicant: **Bestop Baja, LLC**, Louisville, CO (US)

(72) Inventors: **Alan R. Roach**, Escondido, CA (US);
Christopher C. Johnson, San Marcos, CA (US)

(73) Assignee: **Bestop Baja, LLC**, Louisville, CO (US)

(**) Term: **15 Years**

(21) Appl. No.: **29/577,788**

(22) Filed: **Sep. 15, 2016**

(51) **LOC (10) Cl.** **26-06**

(52) **U.S. Cl.**
USPC **D26/31**

(58) **Field of Classification Search**
USPC D26/28-36; 362/80-83, 267-269,
362/459-468, 475-478, 485-487
CPC B60Q 1/0483; B60Q 9/13; B60Q 9/135;
B60Q 9/1375; F21S 48/00; F21S 48/10;
F21S 48/115; F21S 48/1233; F21S
48/1266; F21S 48/1388; F21S 48/2268;
F21V 21/04

See application file for complete search history.

(56) **References Cited**

U.S. PATENT DOCUMENTS

D526,430 S * 8/2006 Hernandez D26/31
D576,754 S * 9/2008 Wang D26/31

D642,302 S * 7/2011 Schiavone D26/28
D643,951 S * 8/2011 Cai D26/28

* cited by examiner

Primary Examiner — Marcus Jackson

(74) *Attorney, Agent, or Firm* — Warn Partners, P.C.

(57) **CLAIM**

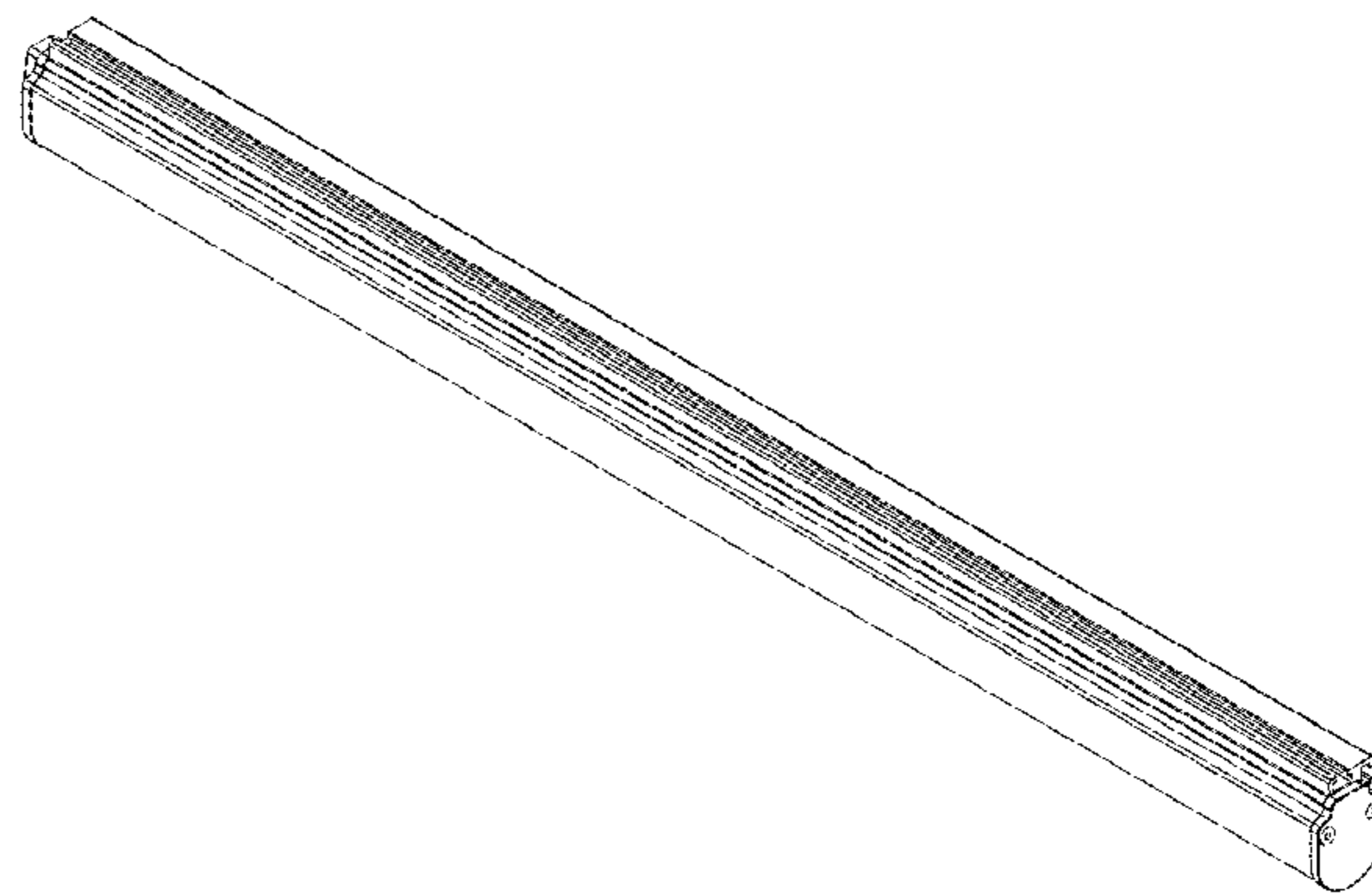
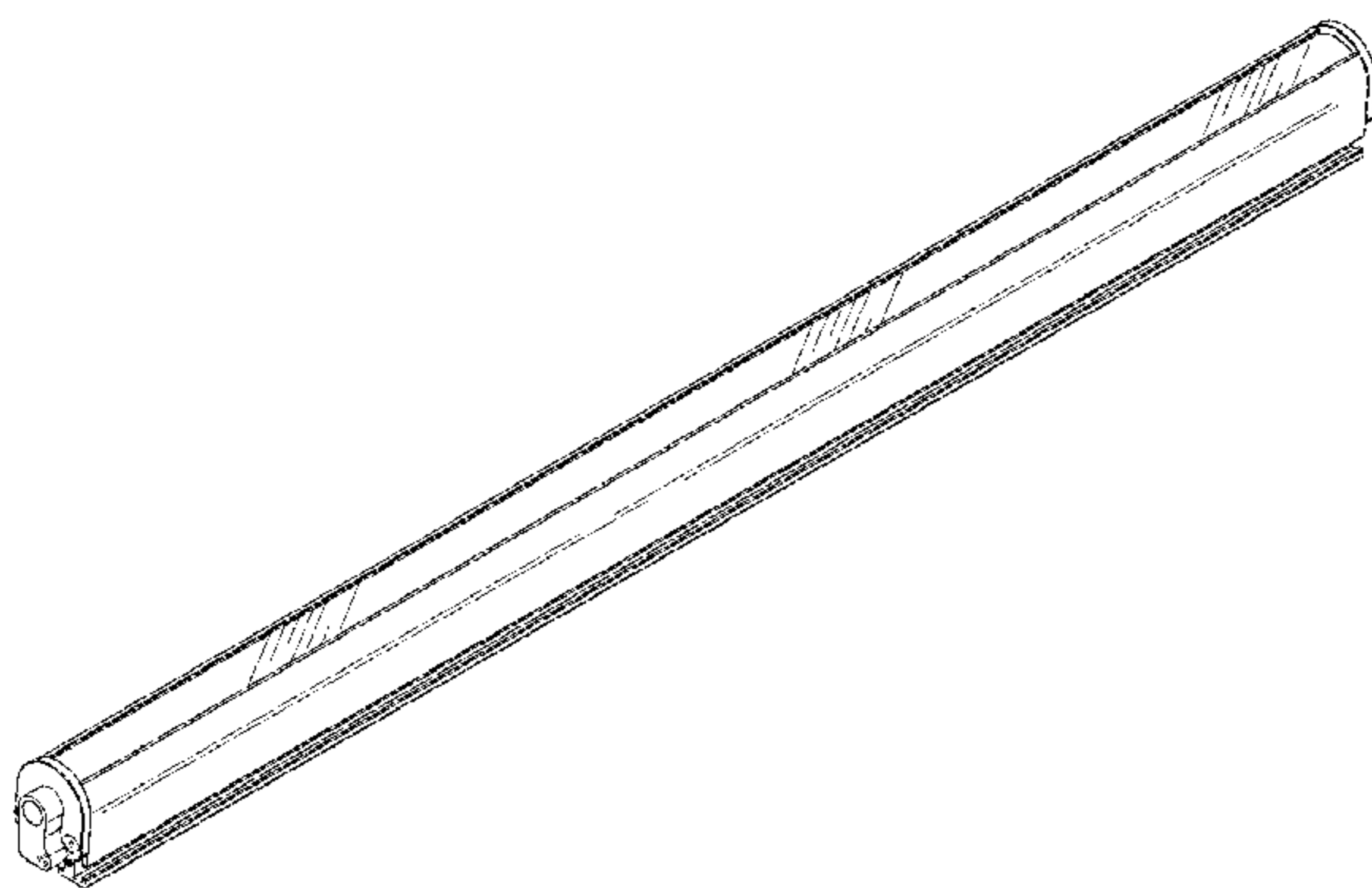
The ornamental design for a light bar assembly, as shown and described.

DESCRIPTION

FIG. 1 is a top perspective view of a light bar assembly, in accordance with the present invention;
FIG. 2 is a bottom right hand perspective view of a light bar assembly, in accordance with the present invention;
FIG. 3 is a top plan view of the light bar assembly of FIG. 1, in accordance with the present invention;
FIG. 4 is a left side elevation view of the light bar assembly of FIG. 1, in accordance with the present invention
FIG. 5 is a right side elevation view of the light bar assembly of FIG. 1, in accordance with the present invention;
FIG. 6 is a bottom plan view of the light bar assembly of FIG. 1, in accordance with the present invention;
FIG. 7 is a rear elevation view of the light bar assembly of FIG. 1, in accordance with the present invention; and,
FIG. 8 is a front elevation view of the light bar assembly of FIG. 1, in accordance with the present invention.

The broken lines in the figures showing attachment portions on the light bar assembly for attaching to a vehicle are for illustrative purposes only and forms no part of the claimed ornamental design.

1 Claim, 3 Drawing Sheets



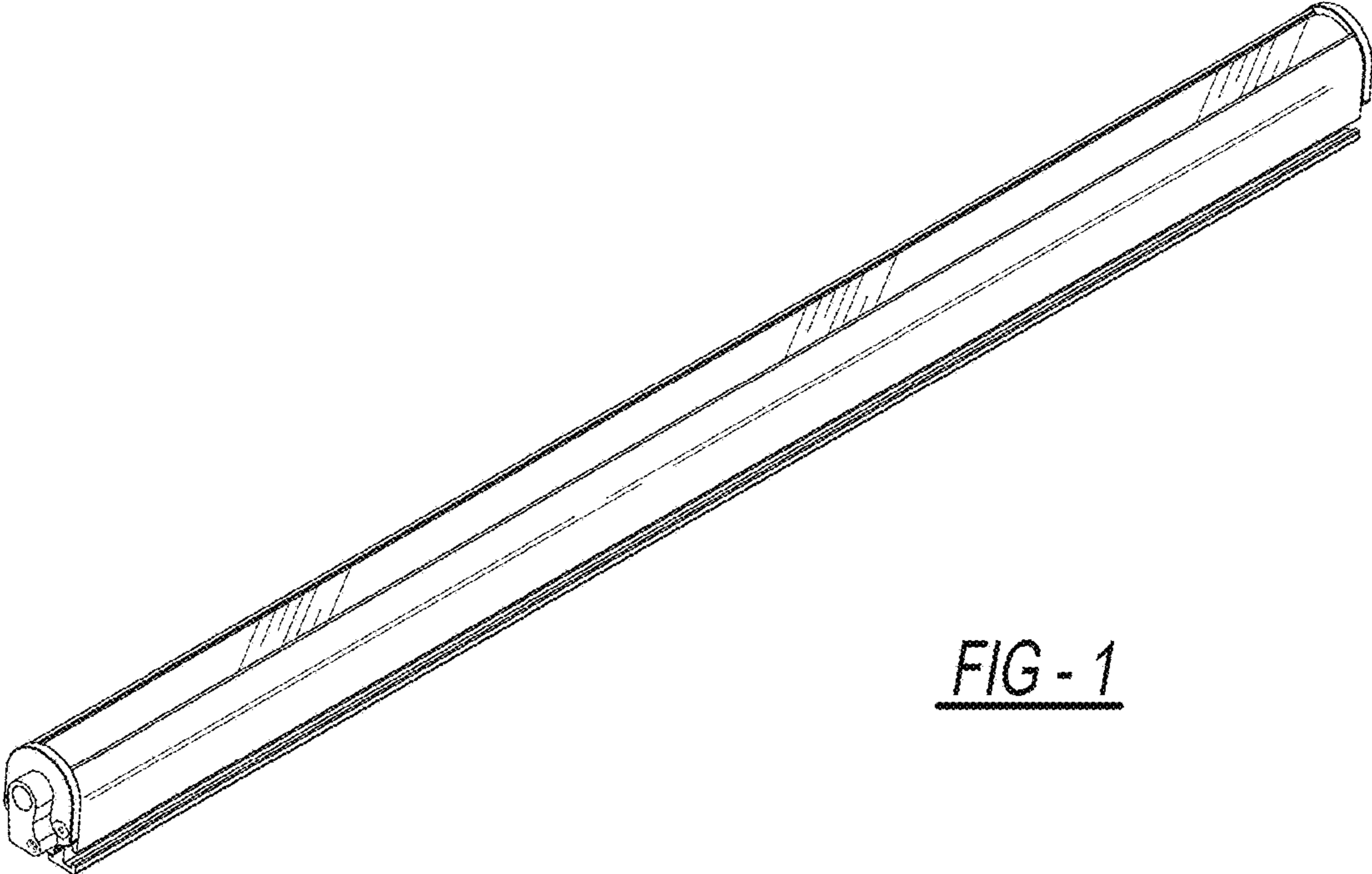


FIG - 1

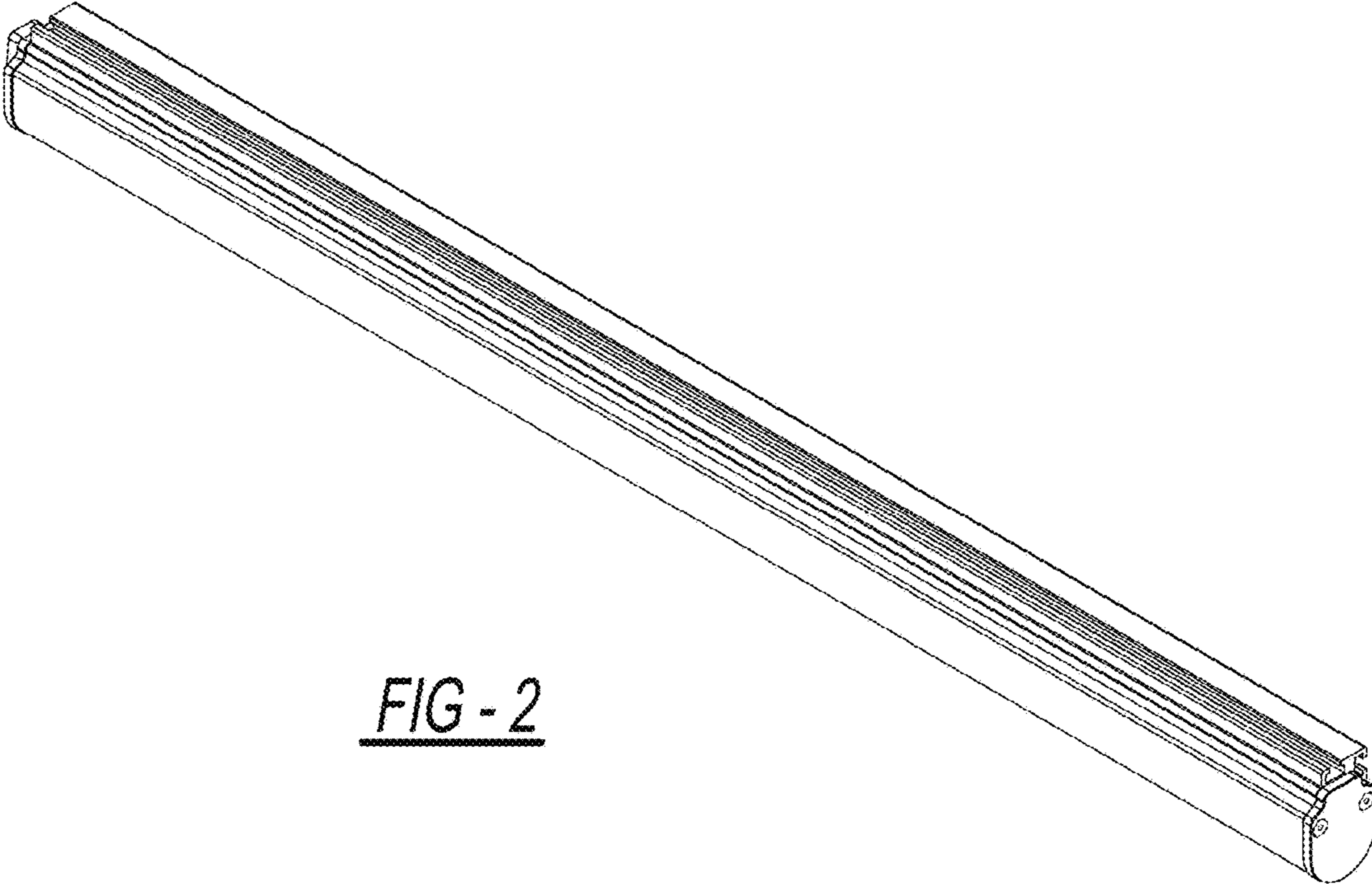


FIG - 2

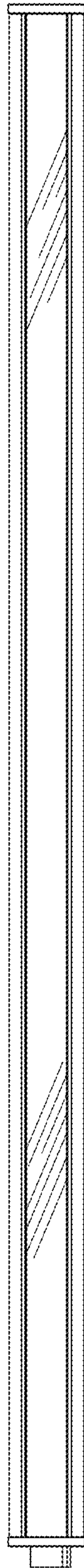


FIG - 3

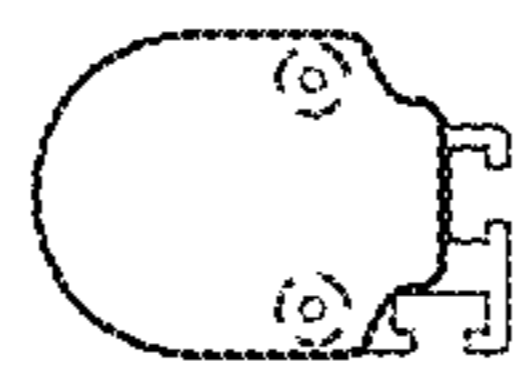


FIG - 5

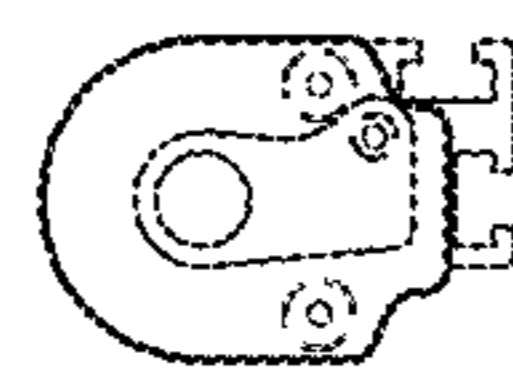


FIG - 4

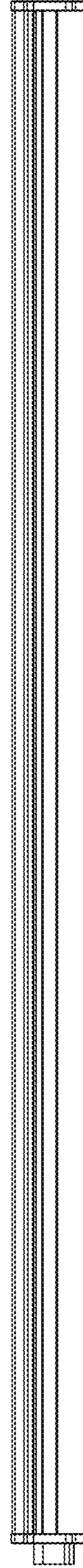


FIG - 6

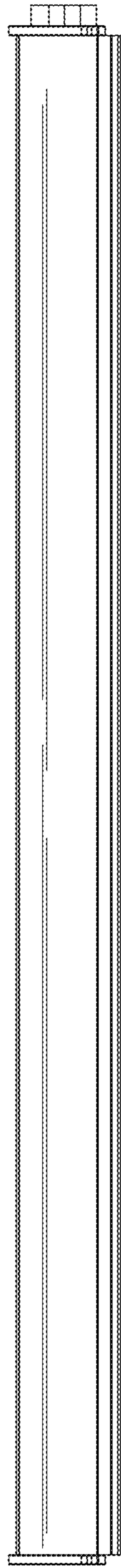


FIG - 7

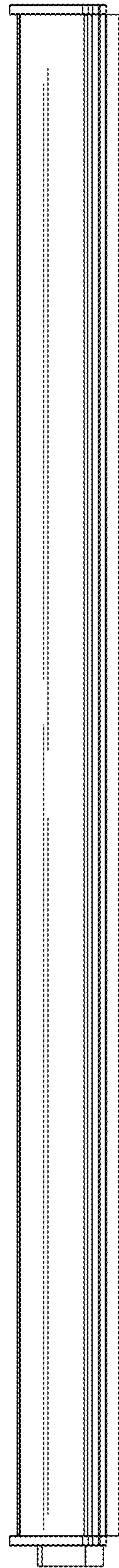


FIG - 8