



US00D802186S

(12) **United States Design Patent**  
**Oh et al.**

(10) **Patent No.:** **US D802,186 S**

(45) **Date of Patent:** **\*\* Nov. 7, 2017**

(54) **AUTOMOBILE TAILLIGHT**

(71) Applicant: **KIA MOTORS CORPORATION**,  
Seoul (KR)

(72) Inventors: **Yun-Seok Oh**, Seoul (KR); **Gwon-Hak Lee**, Bucheon-si (KR); **Young-Min Kim**, Seoul (KR); **Oh-Young Kwon**, Hwaseong-si (KR); **Jae-Hun Lee**, Anyang-si (KR)

(\*\*) Term: **15 Years**

(21) Appl. No.: **35/501,260**

(22) Filed: **Jun. 3, 2016**

(80) **Hague Agreement Data**

Int. Filing Date: **Jun. 3, 2016**  
Int. Reg. No.: **DM/091534**  
Int. Reg. Date: **Jun. 3, 2016**  
Int. Reg. Pub. Date: **Jul. 22, 2016**

(51) **LOC (10) Cl.** ..... **26-07**

(52) **U.S. Cl.**  
USPC ..... **D26/28**

(58) **Field of Classification Search**  
USPC ..... D26/28-36  
CPC ..... F21S 48/00; F21S 48/10; F21S 48/115;  
F21S 48/225; F21S 48/1233; F21S  
48/1266; F21S 48/1388; F21S 48/2268;  
F21V 21/04  
See application file for complete search history.

(56) **References Cited**

**U.S. PATENT DOCUMENTS**

D592,775 S \* 5/2009 George ..... D26/28  
D621,533 S \* 8/2010 Kuo ..... D26/28

D638,559 S \* 5/2011 Huet ..... D26/28  
D638,961 S \* 5/2011 Ebel ..... D26/28  
D686,357 S \* 7/2013 Morgenstern ..... D26/28  
D686,766 S \* 7/2013 Morgenstern ..... D26/28  
D694,442 S \* 11/2013 Lai ..... D26/28  
D710,525 S \* 8/2014 Lai ..... D26/28  
D712,575 S \* 9/2014 Gotschke ..... D26/28  
D714,478 S \* 9/2014 Lai ..... D26/28  
D761,455 S \* 7/2016 Futschik ..... D26/28  
D761,978 S \* 7/2016 Lai ..... D26/28  
D765,289 S \* 8/2016 Luk ..... D26/28  
D767,803 S \* 9/2016 Faghihzadeh ..... D26/28  
D771,287 S \* 11/2016 Ingenlath ..... D26/28  
D780,965 S \* 3/2017 Binder ..... D26/28  
D780,966 S \* 3/2017 Binder ..... D26/28  
2004/0202006 A1 \* 10/2004 Pien ..... F21S 48/211  
362/545  
2005/0195615 A1 \* 9/2005 Takenaka ..... F21S 48/1109  
362/546  
2014/0160779 A1 \* 6/2014 Pusch ..... F21S 48/236  
362/511

\* cited by examiner

*Primary Examiner* — Darlington Ly

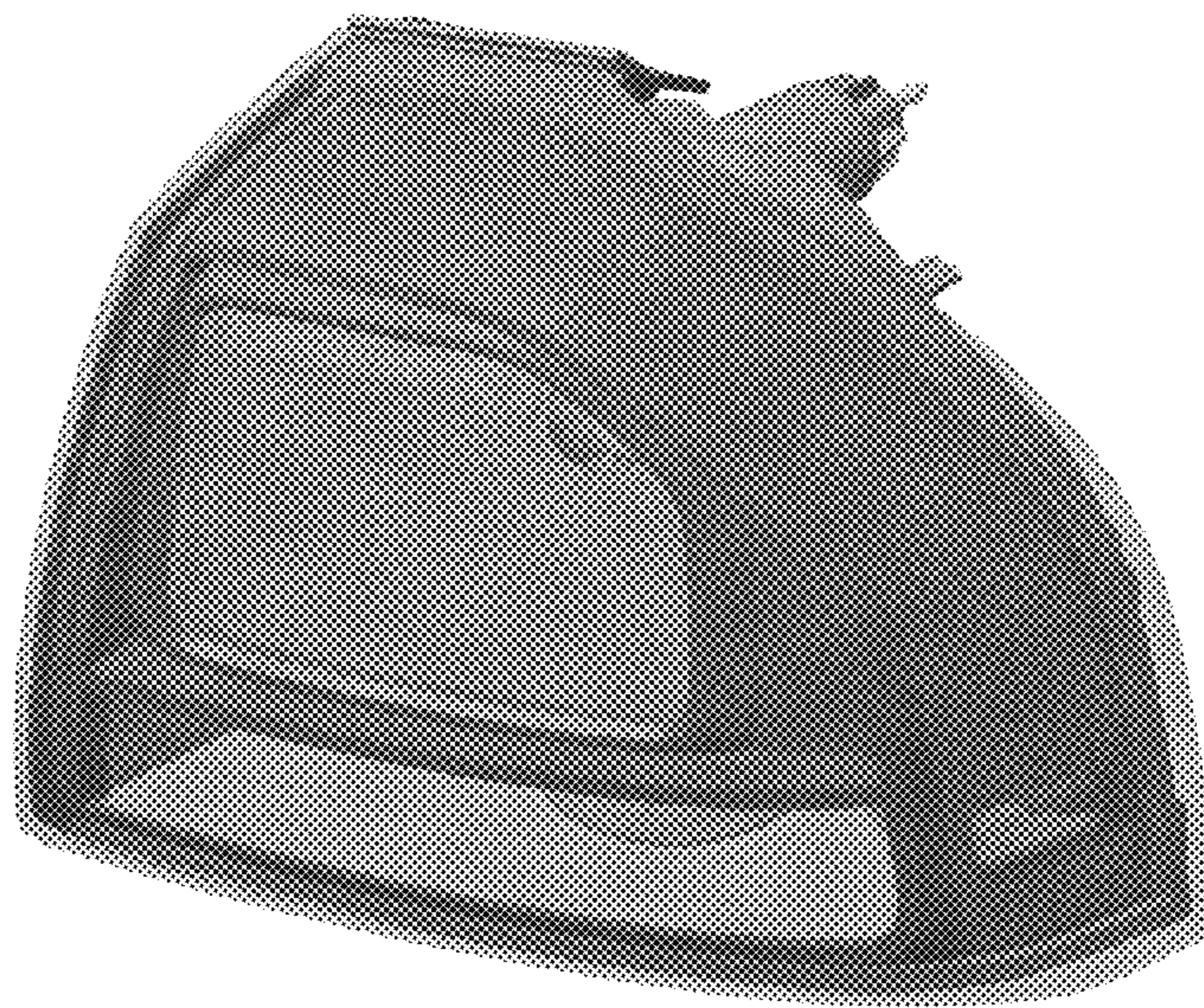
(57) **CLAIM**

The ornamental design for an automobile taillight, as shown and described.

**DESCRIPTION**

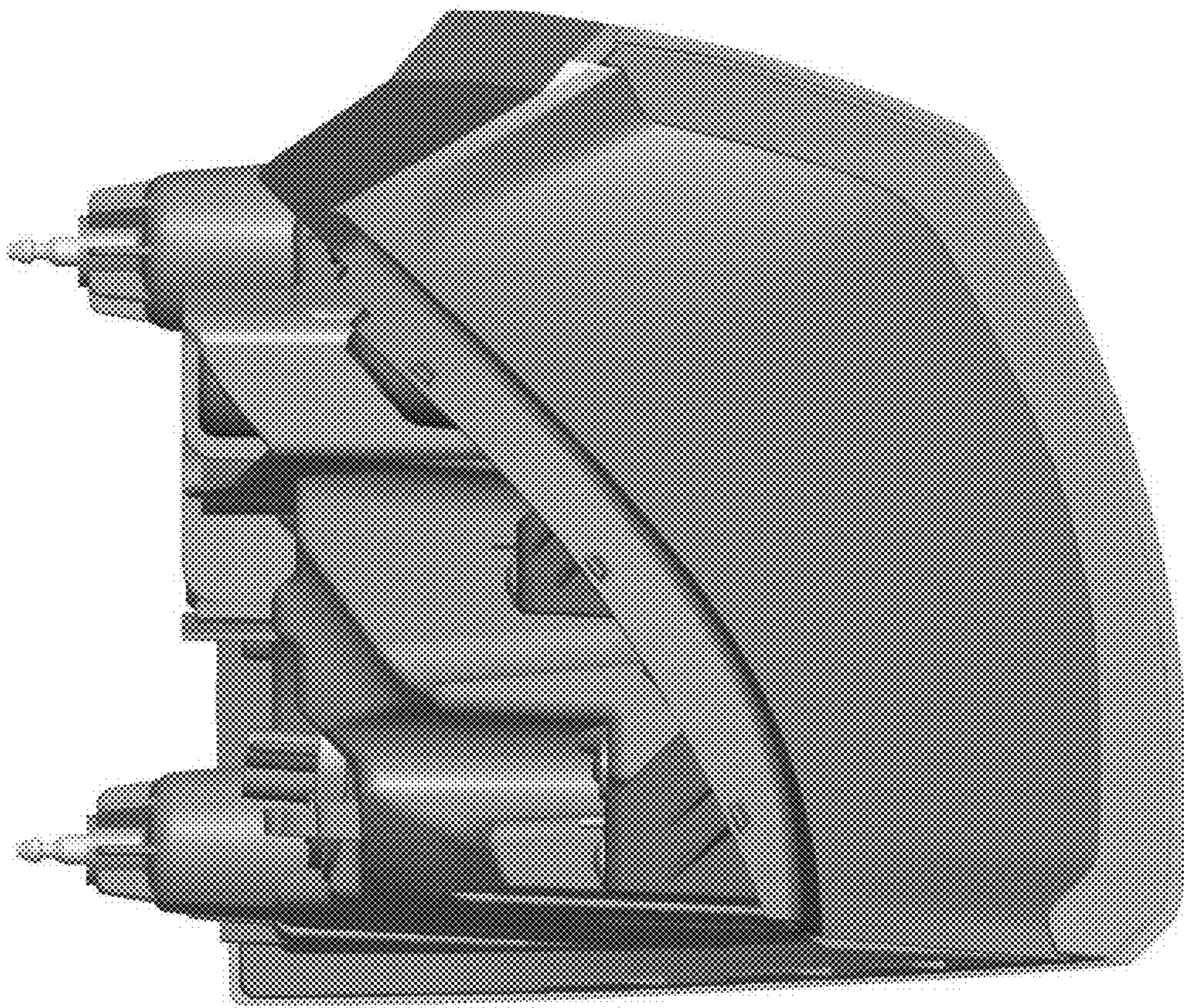
1. Automobile taillight  
1.1 is a left side elevation view of an automobile taillight showing our new design;  
1.2 is a front elevation view thereof;  
1.3 is a right side elevation view thereof;  
1.4 is a rear elevation view thereof;  
1.5 is a top, front, and right side perspective view thereof;  
1.6 is a top plan view thereof; and  
1.7 is a bottom plan view thereof.

**1 Claim, 7 Drawing Sheets**



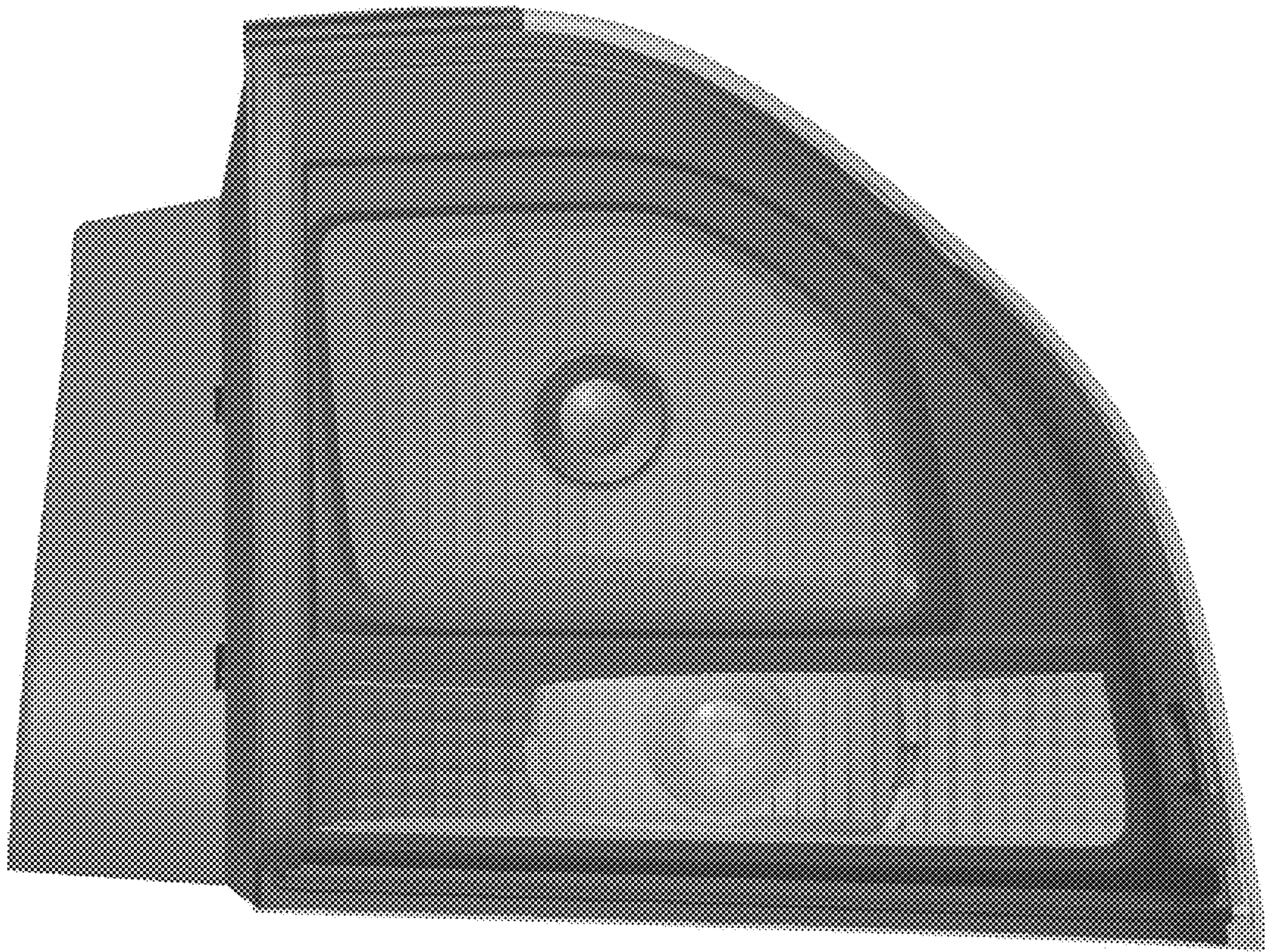


1.1



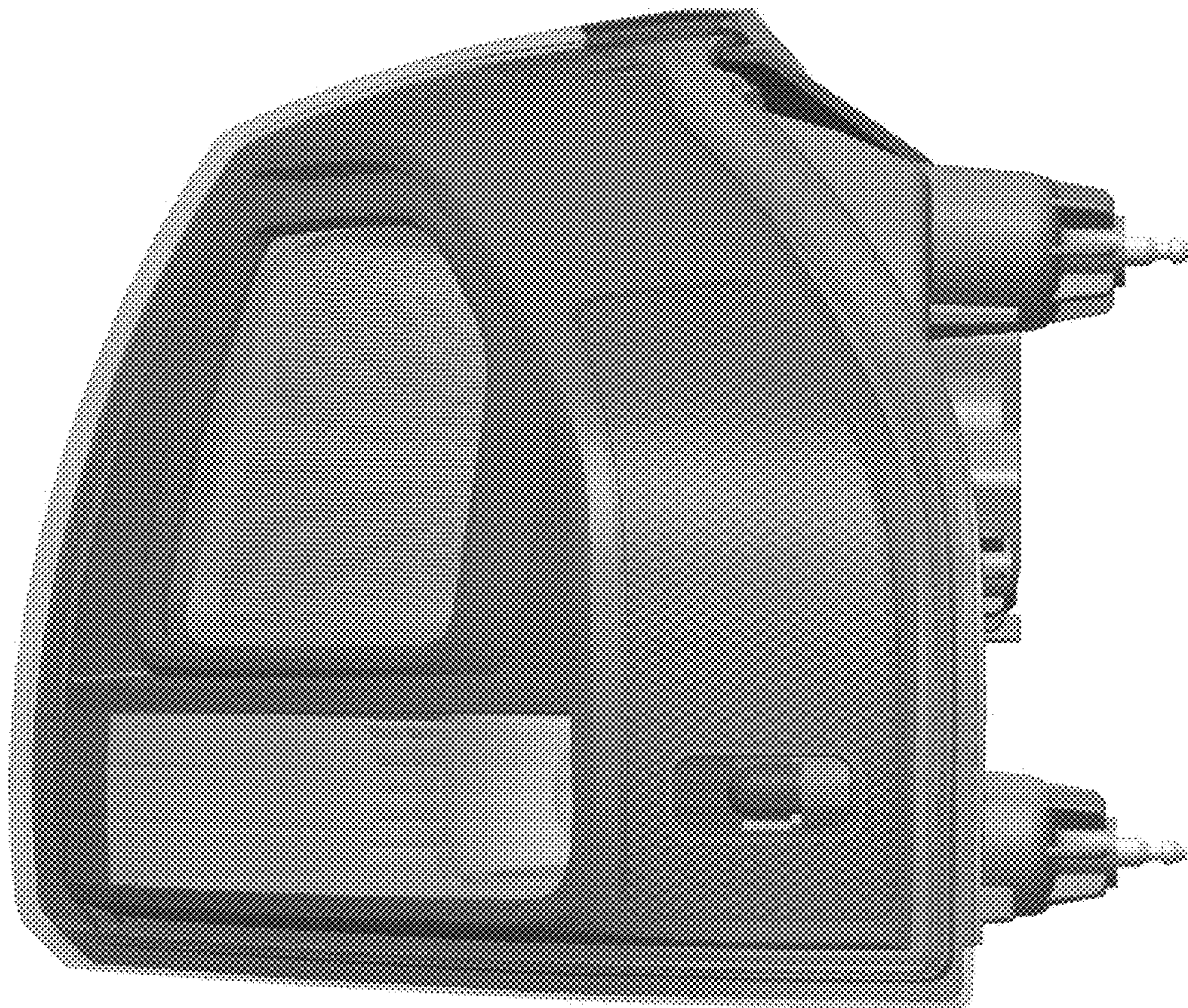


1.2



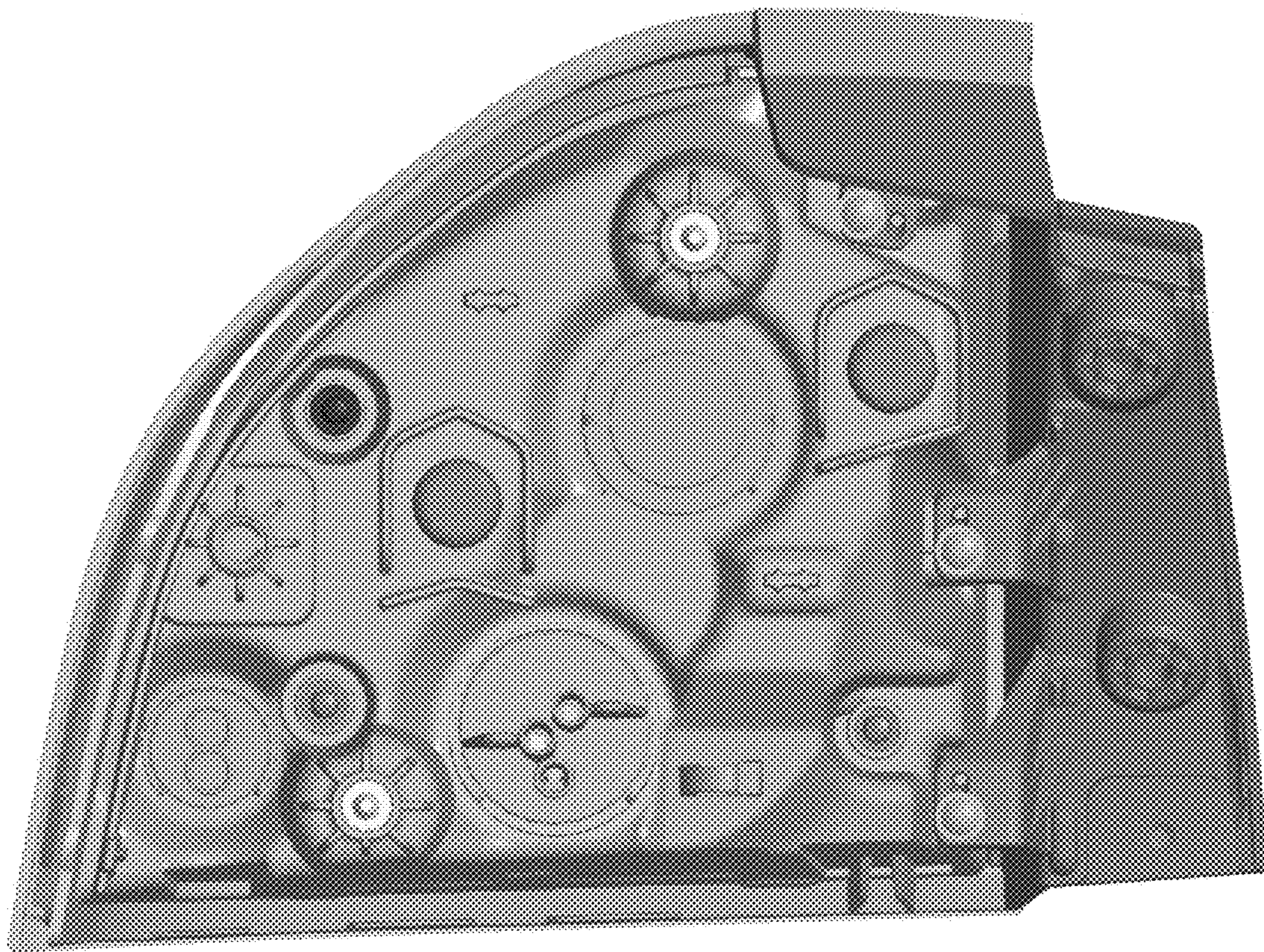


1.3





1.4



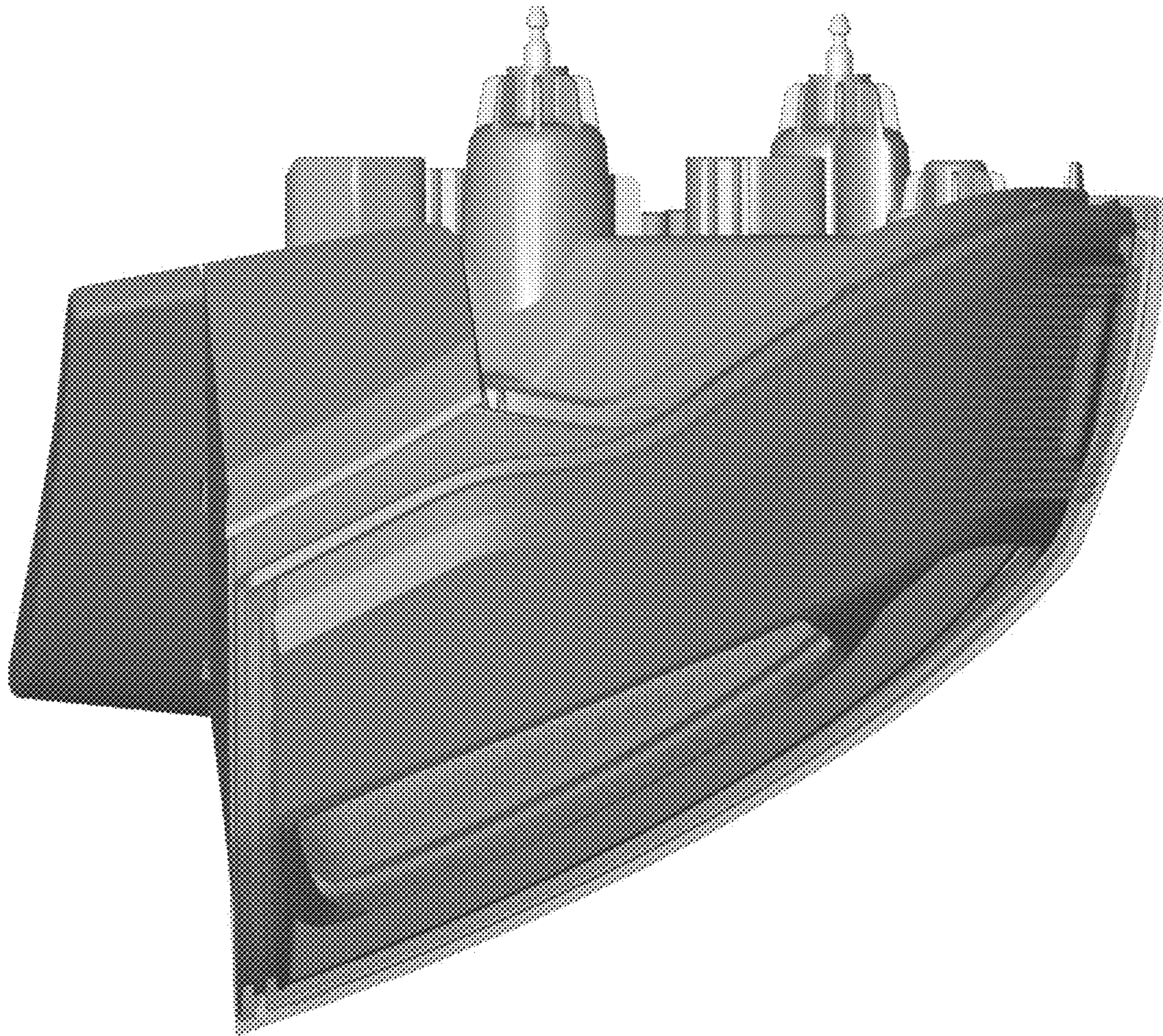


1.5





1.6





1.7

