



US00D802185S

(12) **United States Design Patent** (10) **Patent No.:** **US D802,185 S**
Lin (45) **Date of Patent:** **** Nov. 7, 2017**

(54) **VEHICLE HEADLIGHT**
(71) Applicant: **KUEN HWA TRAFFIC INDUSTRIAL CO., LTD.**, Tainan (TW)
(72) Inventor: **Yung-Hsiang Lin**, Tainan (TW)
(73) Assignee: **Kuen Hwa Traffic Industrial Co., Ltd.**, Tainan (TW)
(**) Term: **15 Years**
(21) Appl. No.: **29/580,821**
(22) Filed: **Oct. 13, 2016**
(51) **LOC (10) Cl.** **26-06**
(52) **U.S. Cl.**
USPC **D26/28**
(58) **Field of Classification Search**
USPC D26/28-36; 362/80-83, 267-269, 362/459-468, 475-478, 485-487
CPC F21S 48/00; F21S 48/10; F21S 48/115; F21S 48/1233; F21S 48/1266; F21S 48/1388; F21S 48/2268; F21V 21/04
See application file for complete search history.

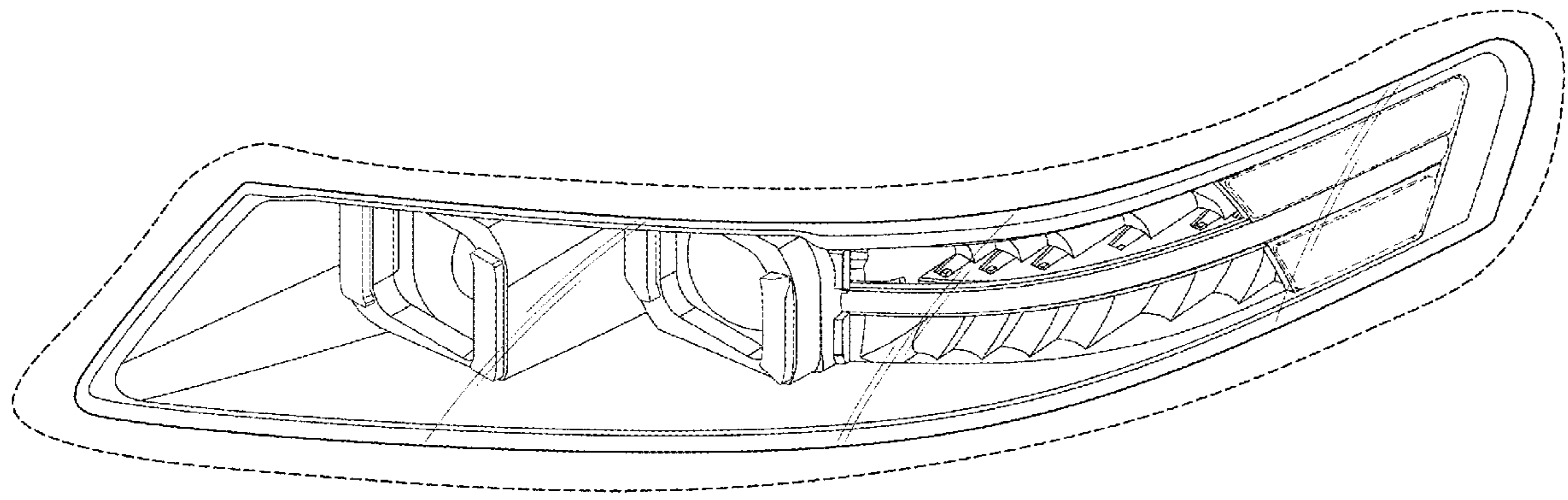
(56) **References Cited**
U.S. PATENT DOCUMENTS
D528,231 S * 9/2006 Ikeda D26/28
D528,686 S * 9/2006 Kato D26/28
D529,208 S * 9/2006 Ikeda D26/28
D535,409 S * 1/2007 Yamaguchi D26/28

* cited by examiner
Primary Examiner — Marcus Jackson
(74) *Attorney, Agent, or Firm* — Rosenberg, Klein & Lee

(57) **CLAIM**
The ornamental design for a vehicle headlight, as shown and described.

DESCRIPTION
FIG. 1 is a perspective view of a vehicle headlight showing my present design;
FIG. 2 is a front view thereof;
FIG. 3 is a right view thereof;
FIG. 4 is a top plan view thereof, and,
FIG. 5 is another perspective view thereof.
The broken lines in the drawings illustrate portions of the vehicle headlight and form no part of the claimed design.

1 Claim, 5 Drawing Sheets



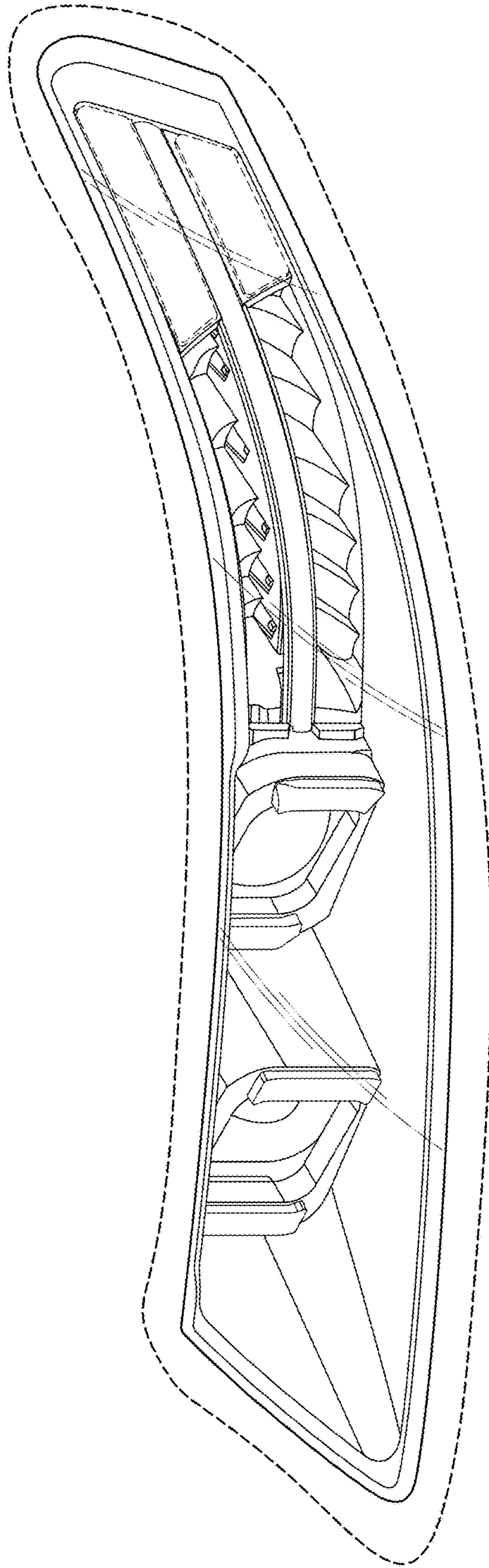


FIG. 1

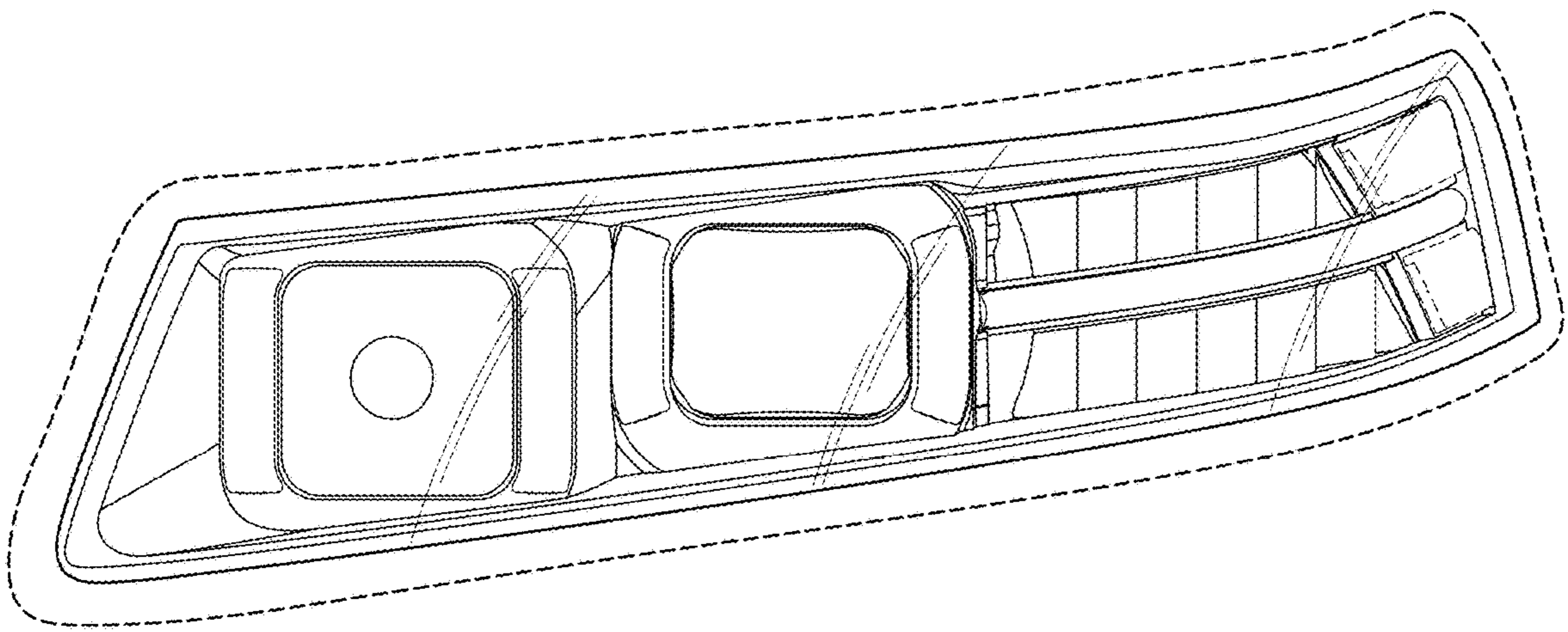


FIG. 2

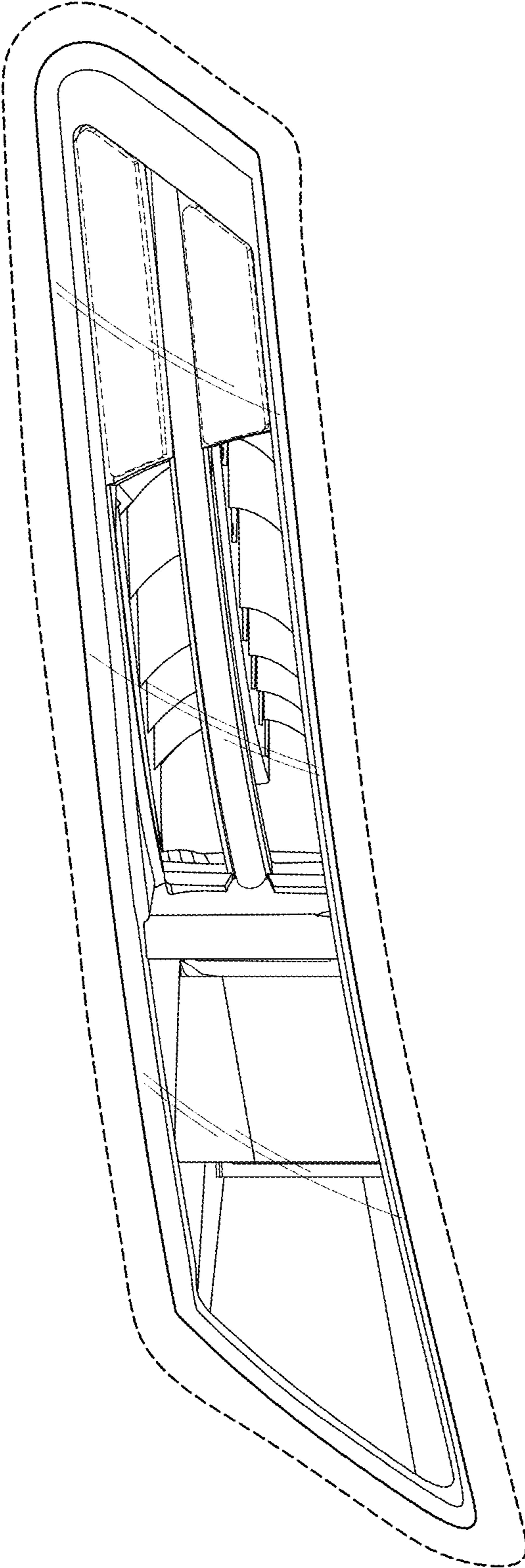


FIG. 3

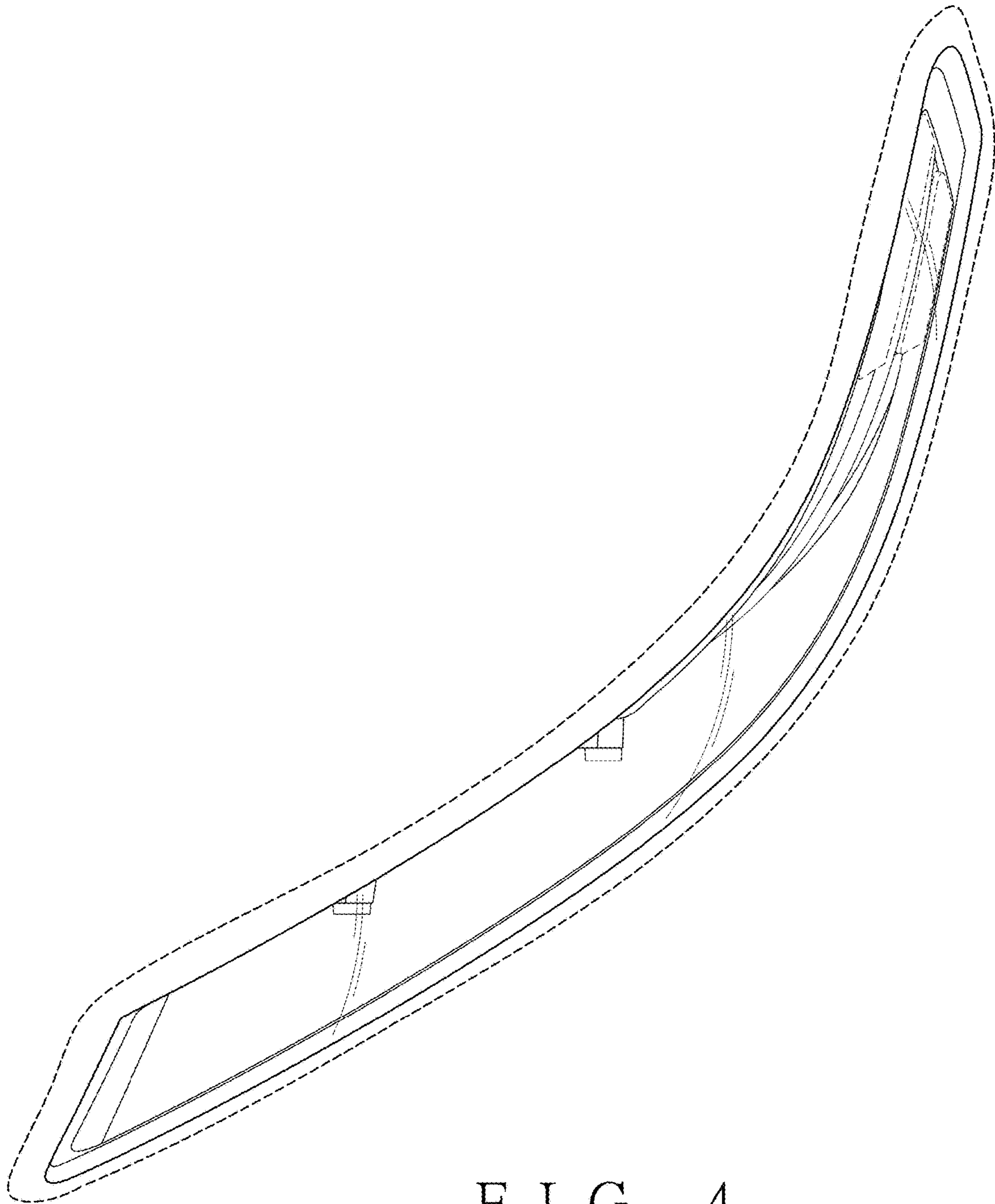


FIG. 4

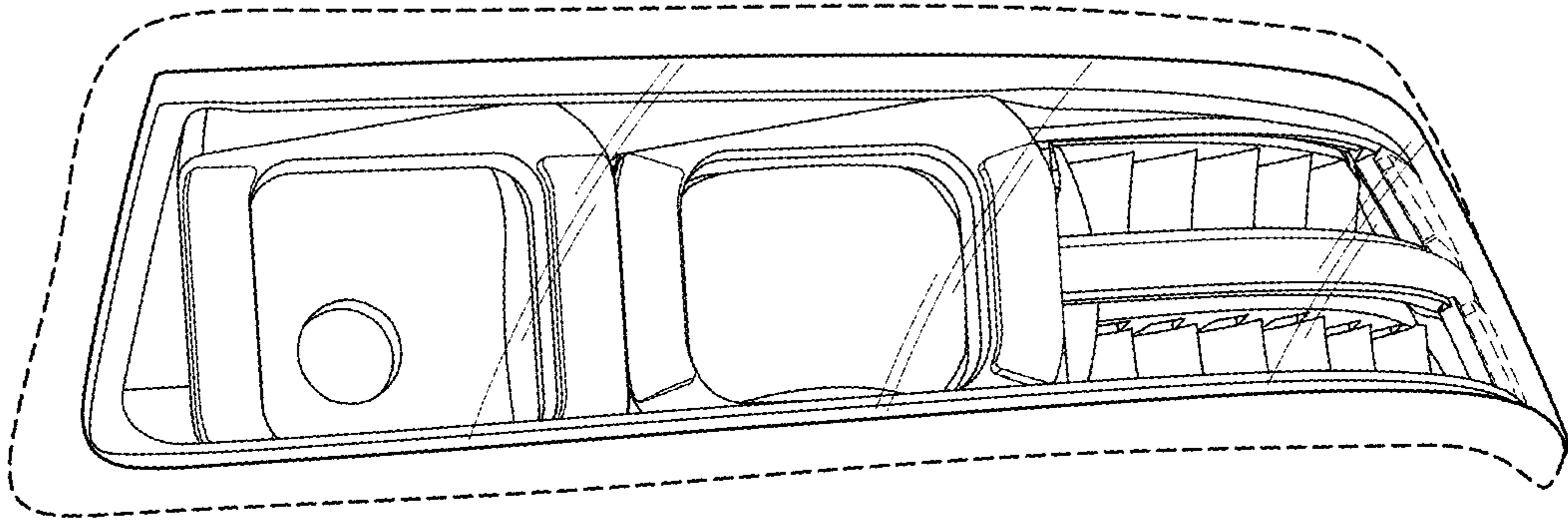


FIG. 5