



US00D802182S

(12) **United States Design Patent** (10) **Patent No.:** **US D802,182 S**  
**Hannemann** (45) **Date of Patent:** **\*\* Nov. 7, 2017**

(54) **HEADLIGHT FOR A VEHICLE**  
(71) Applicant: **Bayerische Motoren Werke Aktiengesellschaft, Munich (DE)**  
(72) Inventor: **Lisa Hannemann, Tutzing (DE)**  
(73) Assignee: **Bayerische Motoren Werke Aktiengesellschaft, Munich (DE)**

D736,969 S 8/2015 Selvaag  
D739,056 S 9/2015 Nordmann  
D767,176 S 9/2016 Faghihzadeh

**FOREIGN PATENT DOCUMENTS**

WO DM/072624 5/2010  
WO DM/076561 2/2012

\* cited by examiner

*Primary Examiner* — Marcus Jackson  
(74) *Attorney, Agent, or Firm* — Crowell & Moring LLP

(\*\*) Term: **15 Years**  
(21) Appl. No.: **29/579,112**

(22) Filed: **Sep. 28, 2016**

(30) **Foreign Application Priority Data**

Mar. 29, 2016 (DE) ..... 40 2016 100 367

(51) **LOC (10) Cl.** ..... **26-06**

(52) **U.S. Cl.**  
USPC ..... **D26/28**

(58) **Field of Classification Search**  
USPC ..... D26/28–36; 362/80–83, 267–269,  
362/459–468, 475–478, 485–487  
CPC ..... F21S 48/00; F21S 48/10; F21S 48/115;  
F21S 48/1233; F21S 48/1266; F21S  
48/1388; F21S 48/2268; F21V 21/04;  
B60Q 9/13; B60Q 9/135; B60Q 9/1375  
See application file for complete search history.

(56) **References Cited**

**U.S. PATENT DOCUMENTS**

D528,231 S \* 9/2006 Ikeda ..... D26/28  
D528,686 S \* 9/2006 Kato ..... D26/28  
D529,208 S \* 9/2006 Ikeda ..... D26/28  
D535,409 S \* 1/2007 Yamaguchi ..... D26/28  
D631,996 S 2/2011 Froehlich  
D686,356 S 7/2013 Morgenstern  
D723,724 S 3/2015 Johnson

(57) **CLAIM**

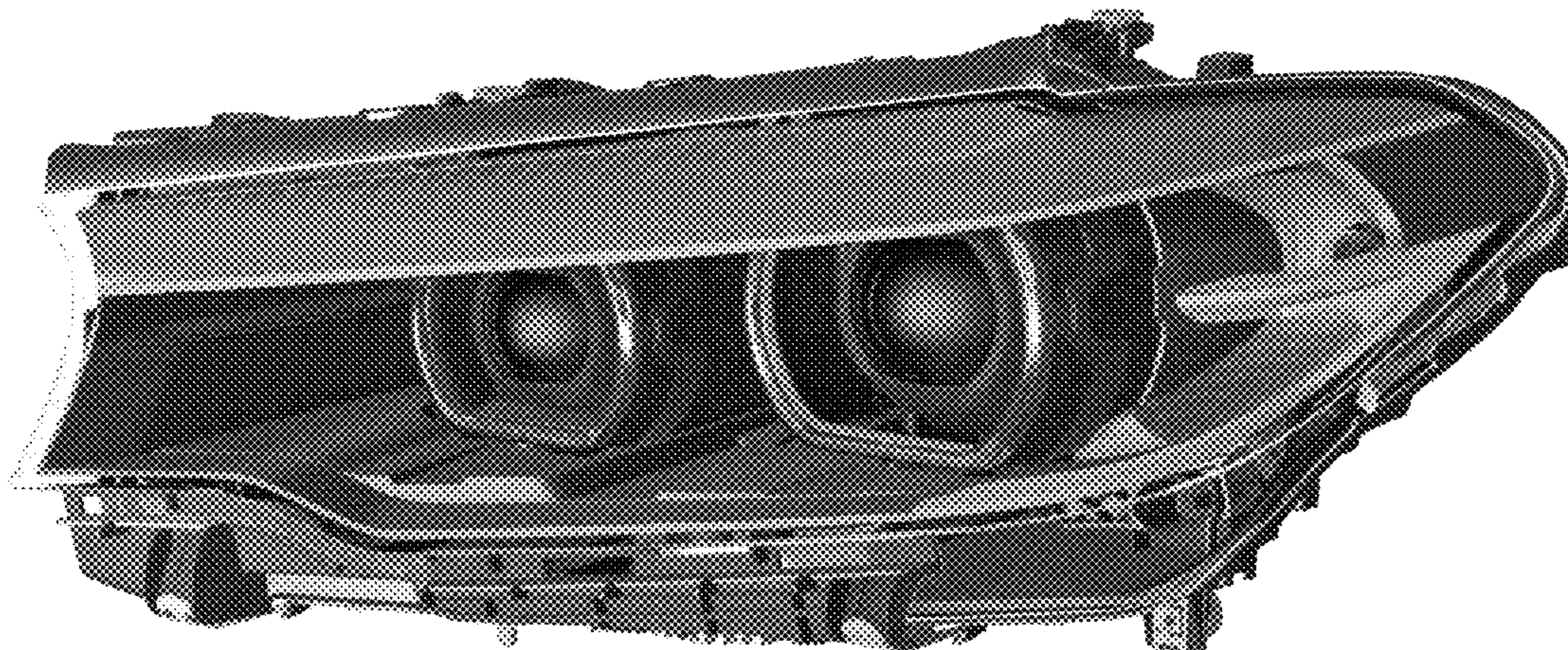
The ornamental design for a headlight for a vehicle, as shown and described.

**DESCRIPTION**

This application contains subject matter related to the following co-pending U.S. design patent applications: Application Ser. No. 29/579,102, filed herewith and entitled “Vehicle, Toy, and/or Replicas Thereof”; Application Ser. No. 29/579,109, filed herewith and entitled “Vehicle, Toy, and/or Replicas Thereof”; and Application Ser. No. 29/579,113, filed herewith and entitled “headlight for a vehicle”.

FIG. 1 is a front view of a headlight for a vehicle according to the design;  
FIG. 2 is a right, front perspective view thereof;  
FIG. 3 is a left, front perspective view thereof;  
FIG. 4 is a right side view thereof;  
FIG. 5 is a left side view thereof;  
FIG. 6 is a top view thereof;  
FIG. 7 is a bottom view thereof; and,  
FIG. 8 is a rear view thereof.

**1 Claim, 8 Drawing Sheets**



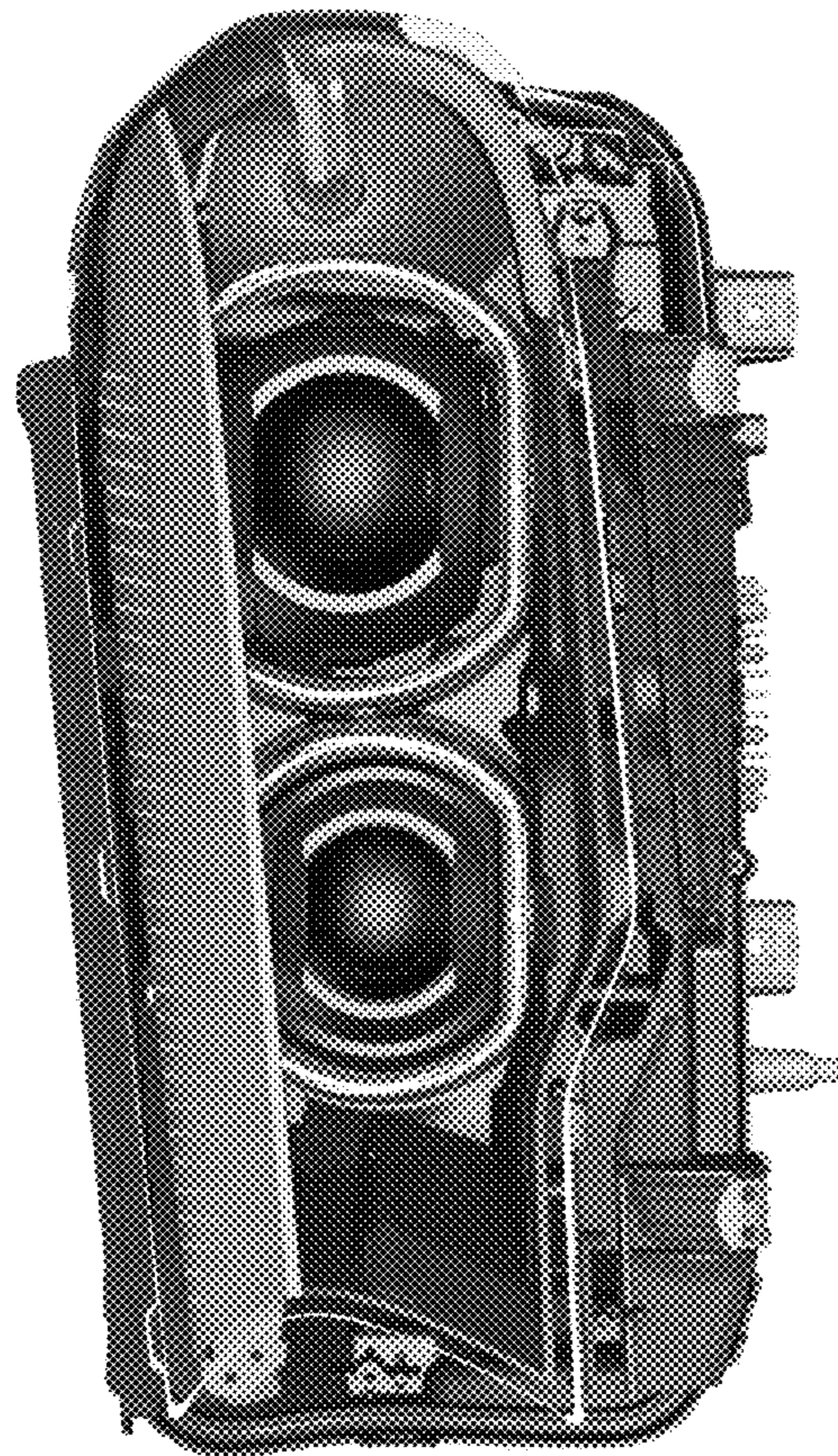


Fig. 1

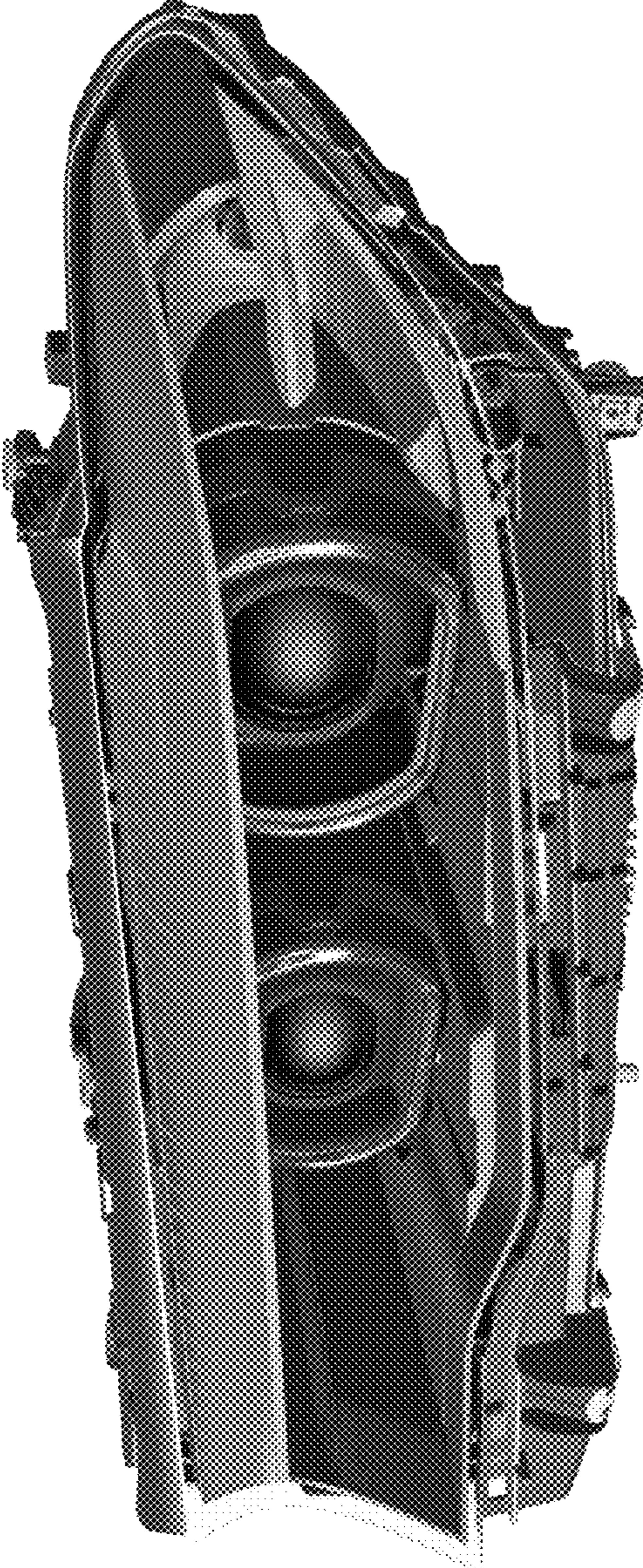


Fig. 2

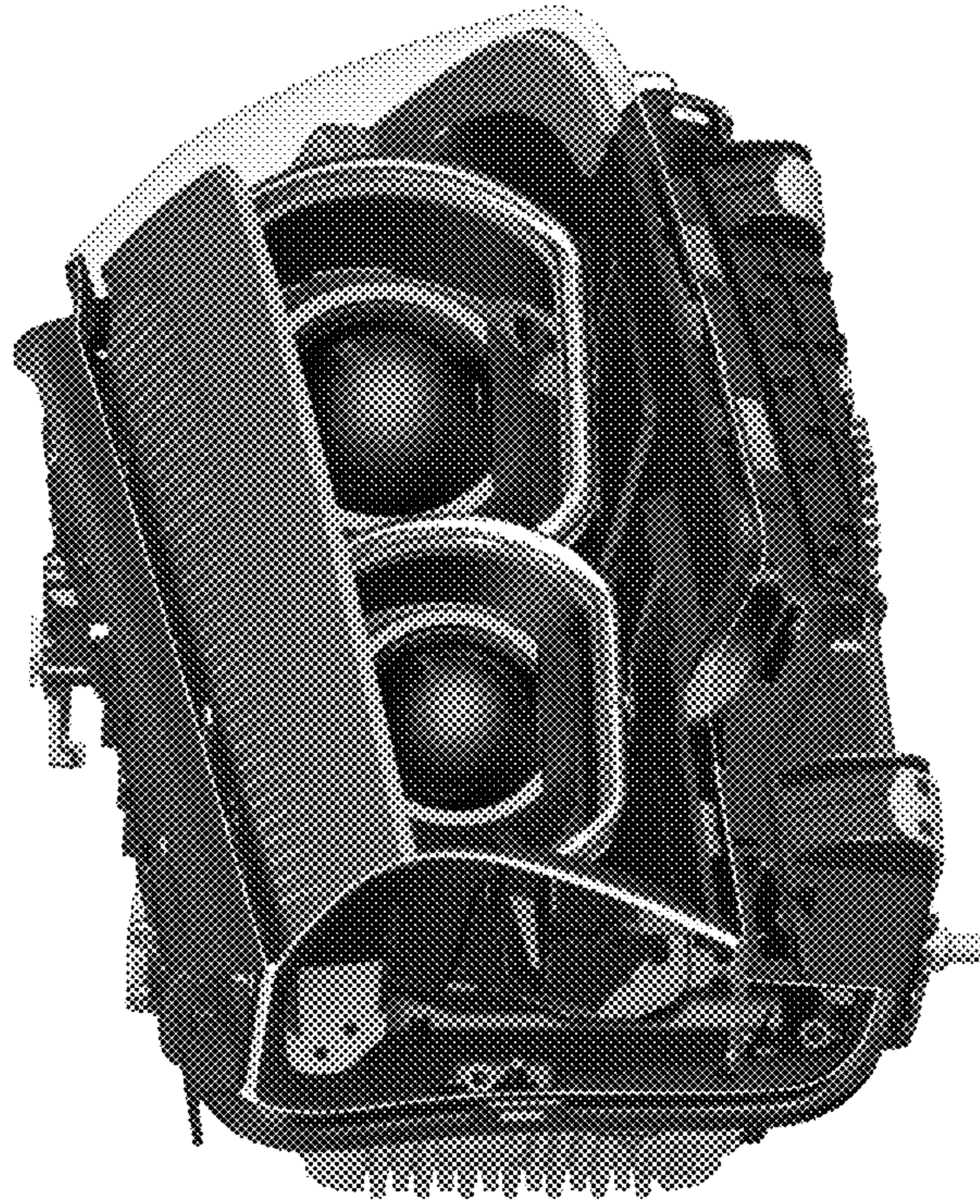


Fig. 3

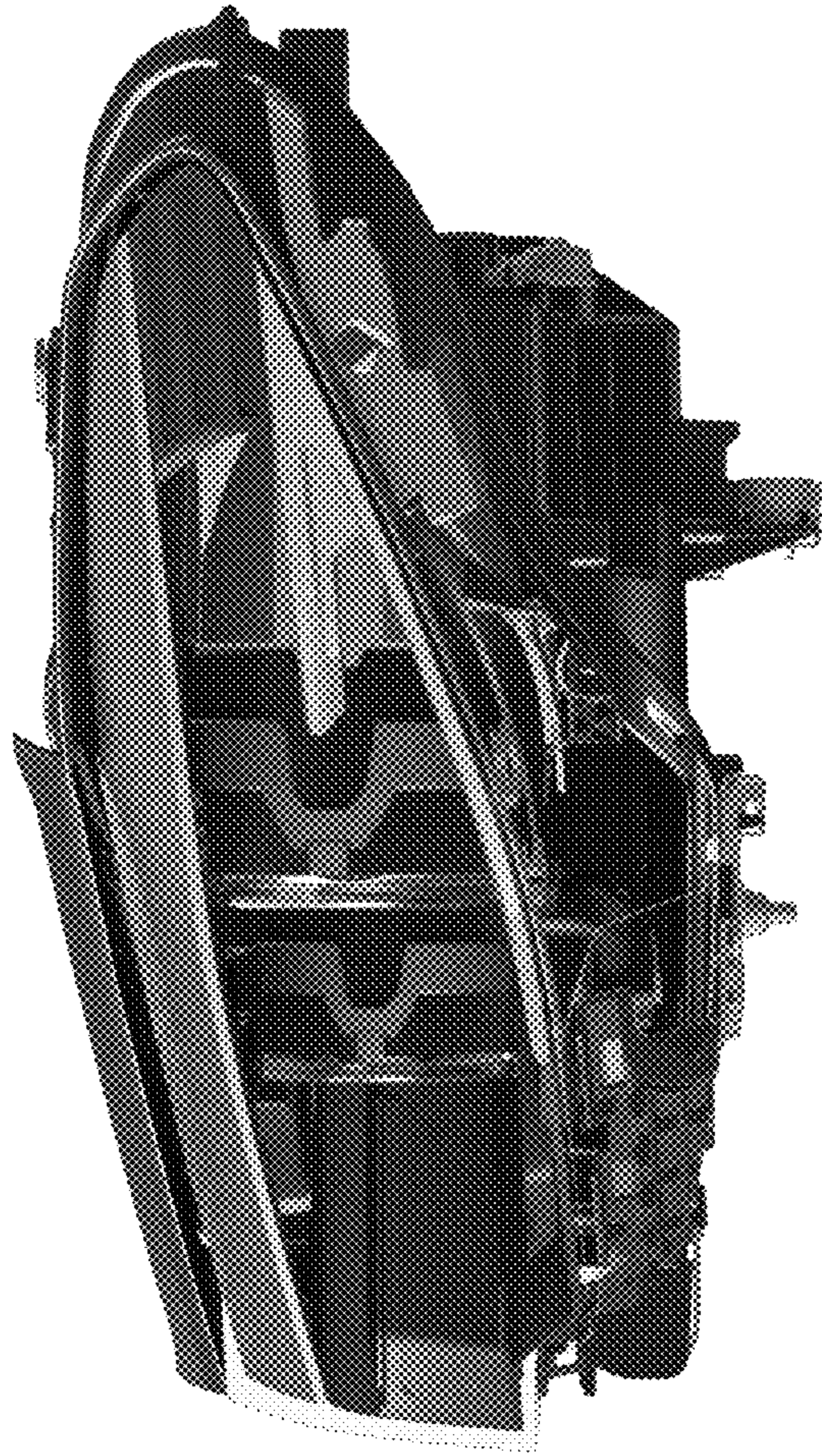


Fig. 4

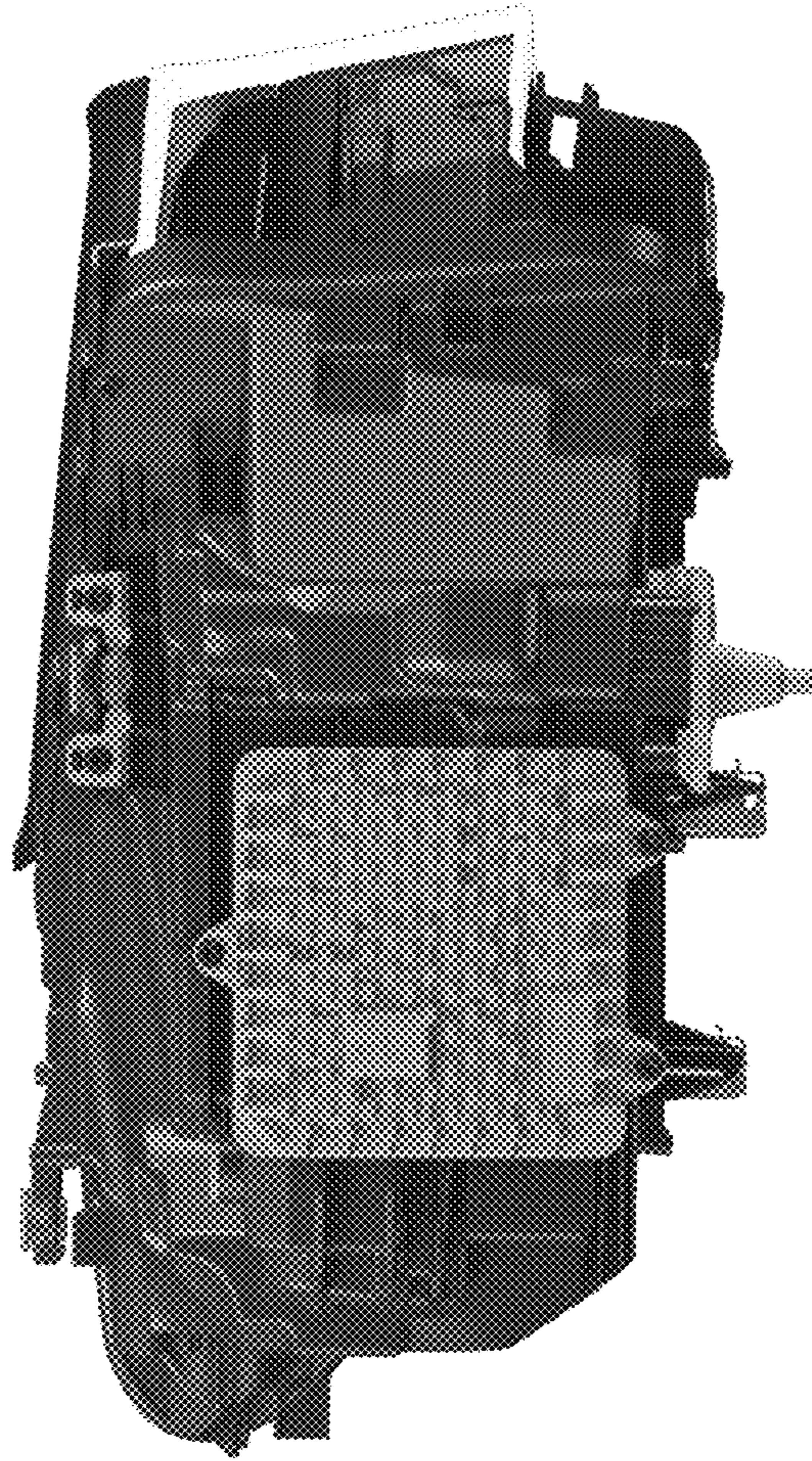


Fig. 5

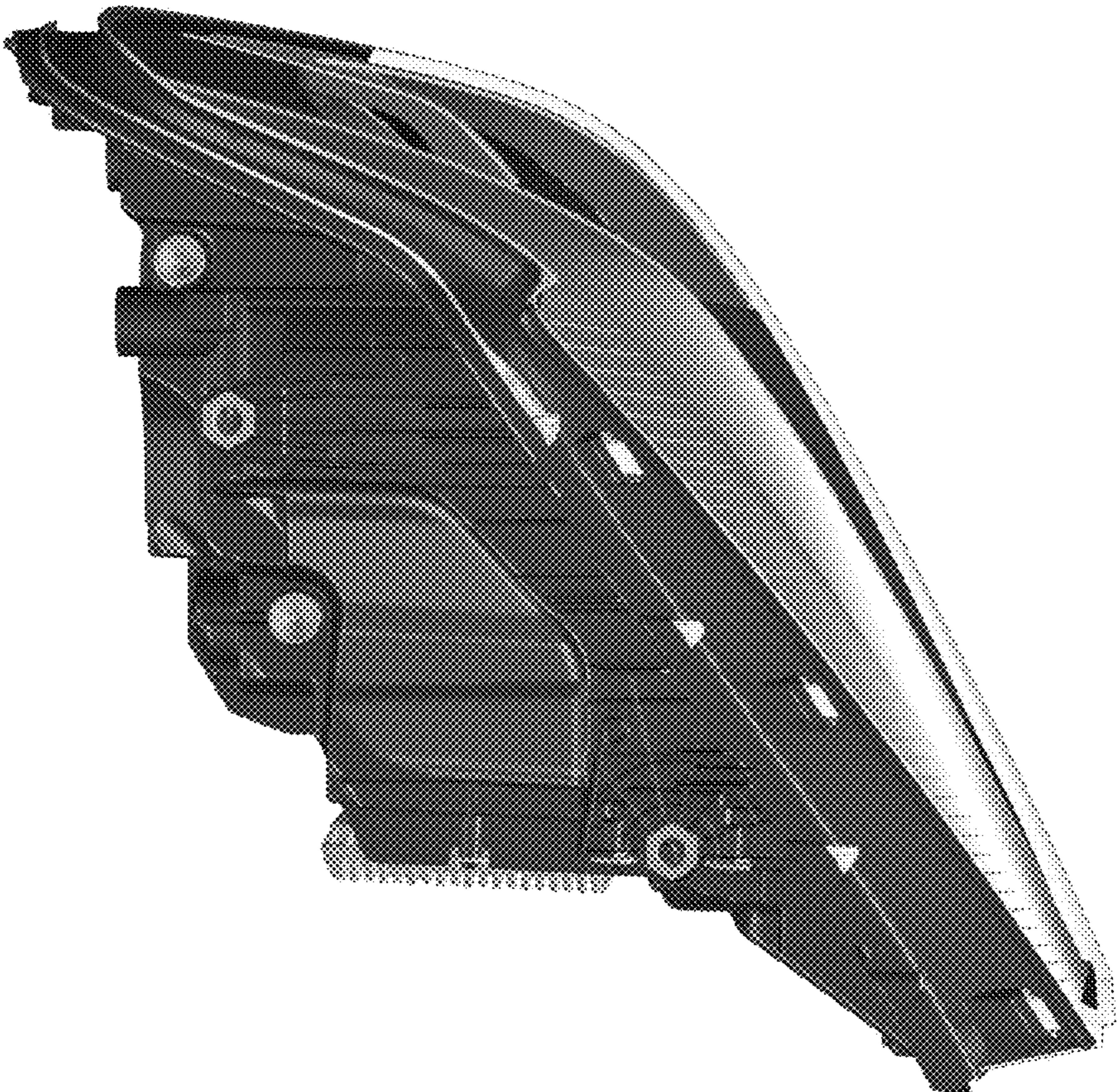


Fig. 6

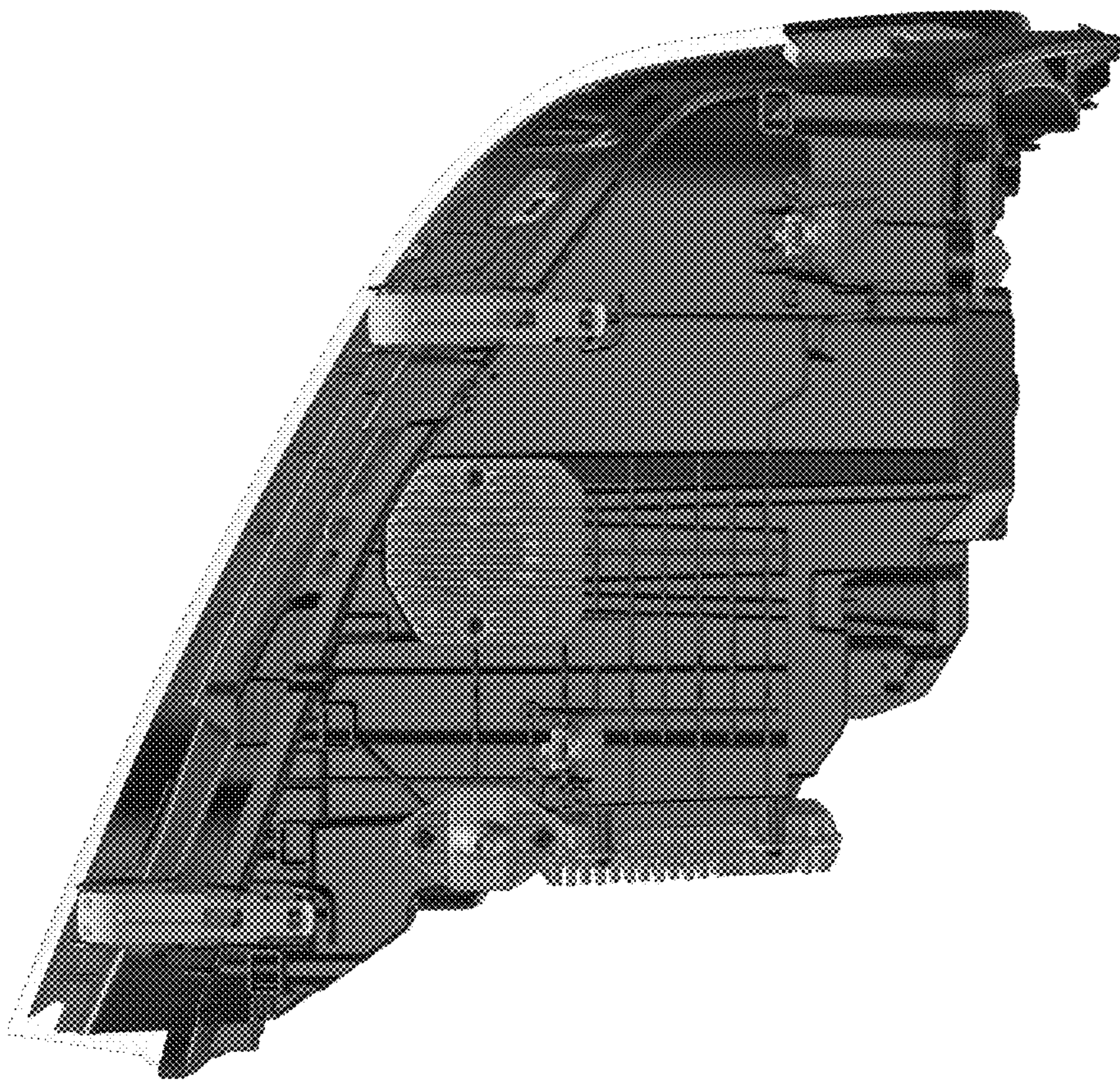


Fig. 7



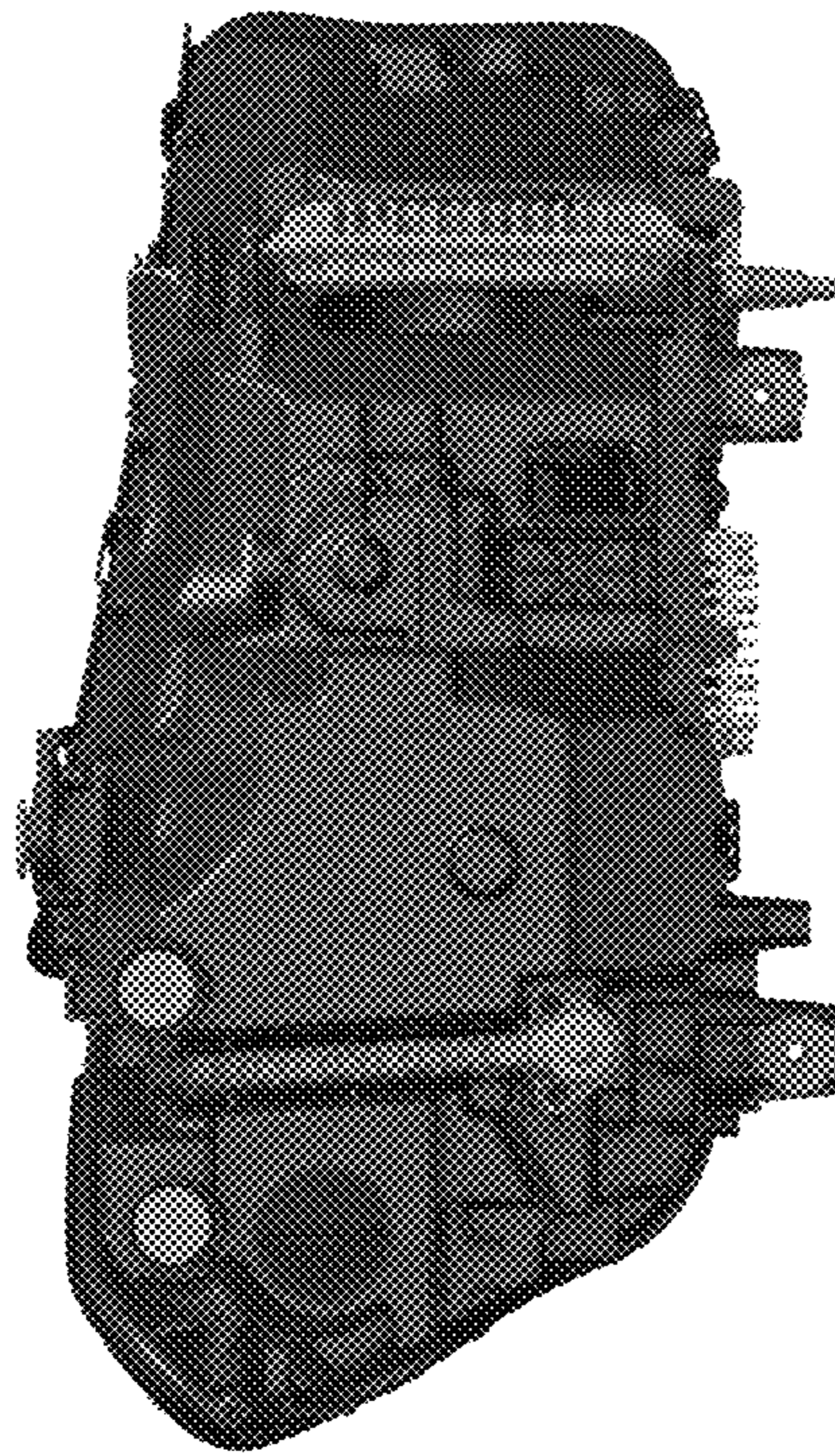


Fig. 8