



US00D802178S

(12) **United States Design Patent** (10) **Patent No.:** **US D802,178 S**
Calvin et al. (45) **Date of Patent:** **** Nov. 7, 2017**

(54) **AIRCRAFT ICE DETECTION LIGHT**

(71) Applicants: **Nathan H. Calvin**, Boise, ID (US);
Dean A. Wilkinson, Boise, ID (US)

(72) Inventors: **Nathan H. Calvin**, Boise, ID (US);
Dean A. Wilkinson, Boise, ID (US)

(**) Term: **15 Years**

(21) Appl. No.: **29/579,925**

(22) Filed: **Oct. 4, 2016**

(51) **LOC (10) Cl.** **26-04**

(52) **U.S. Cl.**
USPC **D26/2; D12/345**

(58) **Field of Classification Search**
USPC D26/1-4; 313/313, 315, 316, 317, 318,
313/493; 315/52, 53, 56, 57, 58;
D12/345

CPC H01R 5/00; H01R 13/46; H01R 13/048;
H01R 13/514; H01R 31/02; H01J 5/00;
H01J 5/16; H01J 15/00; H01J 5/48; H01J
5/50; H01J 19/54

See application file for complete search history.

(56) **References Cited**

U.S. PATENT DOCUMENTS

D536,107 S * 1/2007 Egawa D26/2
D541,442 S * 4/2007 Mama D26/2
D553,267 S * 10/2007 Yuen D26/2
8,297,811 B2 10/2012 Mukai et al.

OTHER PUBLICATIONS

CML Aircraft Navigation and Anticollision Lamps. Lamp Datasheet [online]. Product files at e-sonic.com, retrieved from the Internet on Sep. 7, 2016: <URL: www.e-sonic.com/productFiles/mf-CM/11aircraftnavigationandanticollisionlamps.pdf>.

Wamco Inc. WL-A-7079B-24. Product Datasheet [online]. Description retrieved from the Internet on Sep. 7, 2016: <URL: http://www.alliedelec.com/search/productview.aspx?SKU=70118016>.

Wamco Inc. WL-A-7079B-24. Product Image [online]. Image retrieved as JPeg file from the Internet on Sep. 7, 2016: <URL: http://www.alliedelec.com/wamco-inc-wl-a-7079b-24/70118016/>.

(Continued)

Primary Examiner — Marcus Jackson

(74) *Attorney, Agent, or Firm* — Your Intellectual Property Matters, LLC; Robert A. Frohwerk

(57) **CLAIM**

The ornamental design for an aircraft ice detection light, as shown and described.

DESCRIPTION

This application is co-pending with U.S. Utility patent application Ser. No. 15/278,021, entitled “Aircraft Ice Detection Lamp” by Calvin, et al., filed on Sep. 27, 2016. FIG. 1 is a perspective view of the front of the aircraft ice detection light;

FIG. 2 is a perspective view of the rear of the aircraft ice detection light;

FIG. 3 is a front elevation view of the aircraft ice detection light;

FIG. 4 is a left side elevation view of the aircraft ice detection light; the right side view is not shown as it is a mirror image of the left side view;

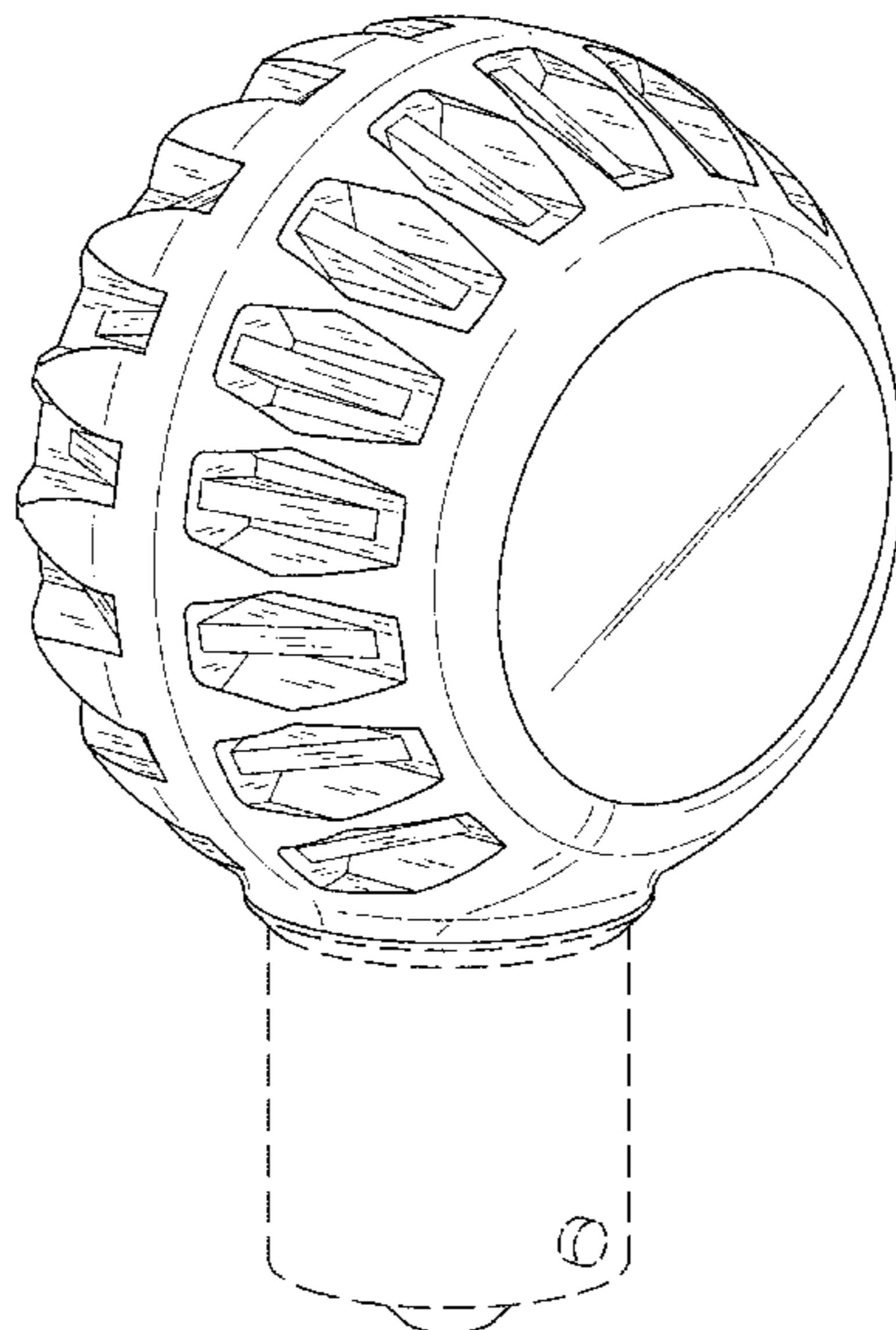
FIG. 5 is a rear elevation view of the aircraft ice detection light;

FIG. 6 is a top plan view of the aircraft ice detection light; and,

FIG. 7 is a bottom plan view of the aircraft ice detection light.

The broken lines depicting an example of a mounting element is included for illustration only and is not a feature of the claimed design.

1 Claim, 6 Drawing Sheets



(56)

References Cited

OTHER PUBLICATIONS

Aircraft Spruce, Universal Lamp UA-7079B-24. Product description [online]. Description retrieved from the Internet on Sep. 7, 2016: <URL: <http://www.aircraftspruce.com/catalog/elpages/univreplacelamps.php>>.

Aircraft Spruce, Universal Lamp UA-7079B-24. Product Image [online]. Image retrieved as Jpeg file from the Internet on Sep. 7, 2016: <URL: <http://www.aircraftspruce.com/cache/370-320-/catalog/graphics/UA7079B-24.jpg>>.

* cited by examiner

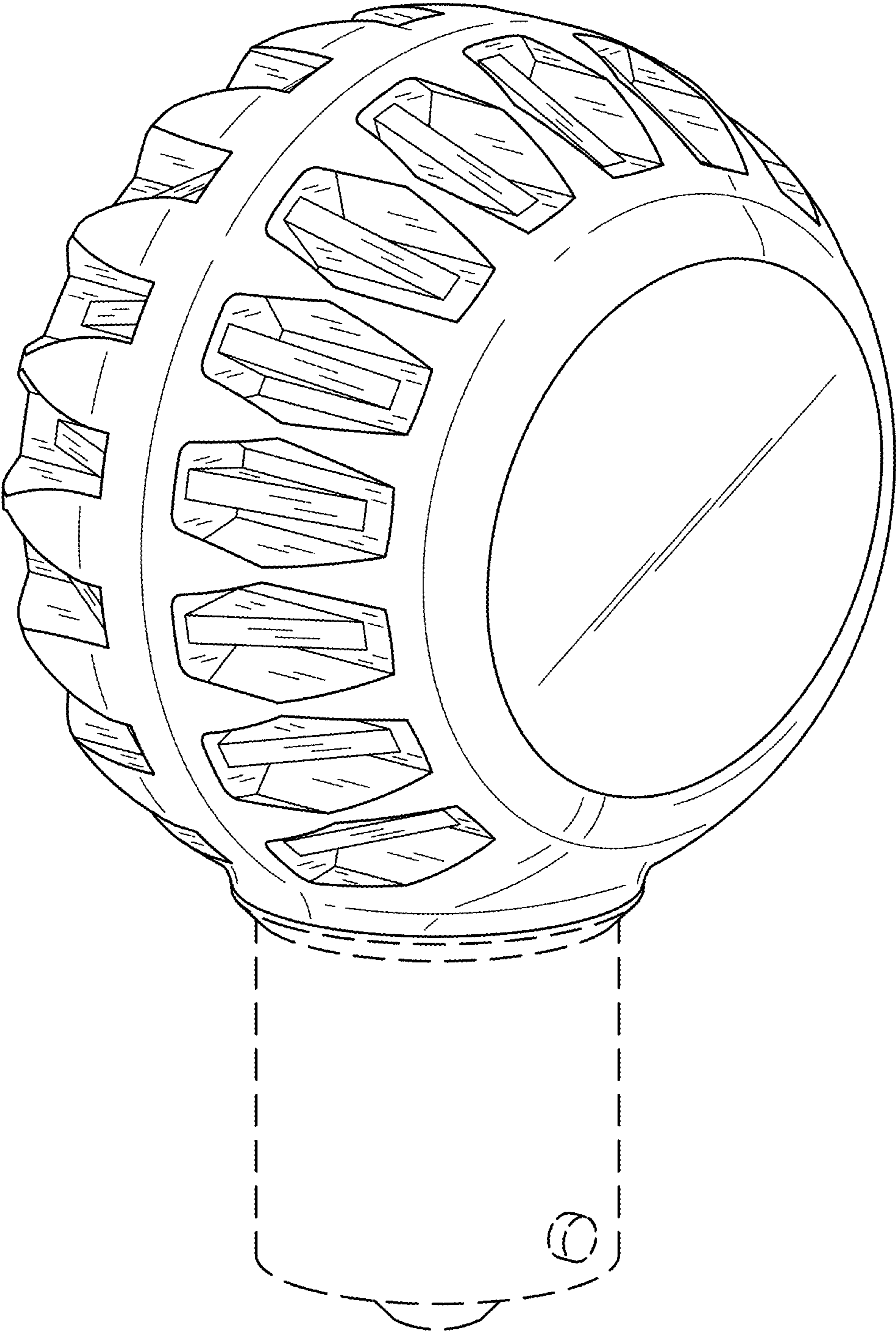


FIG. 1

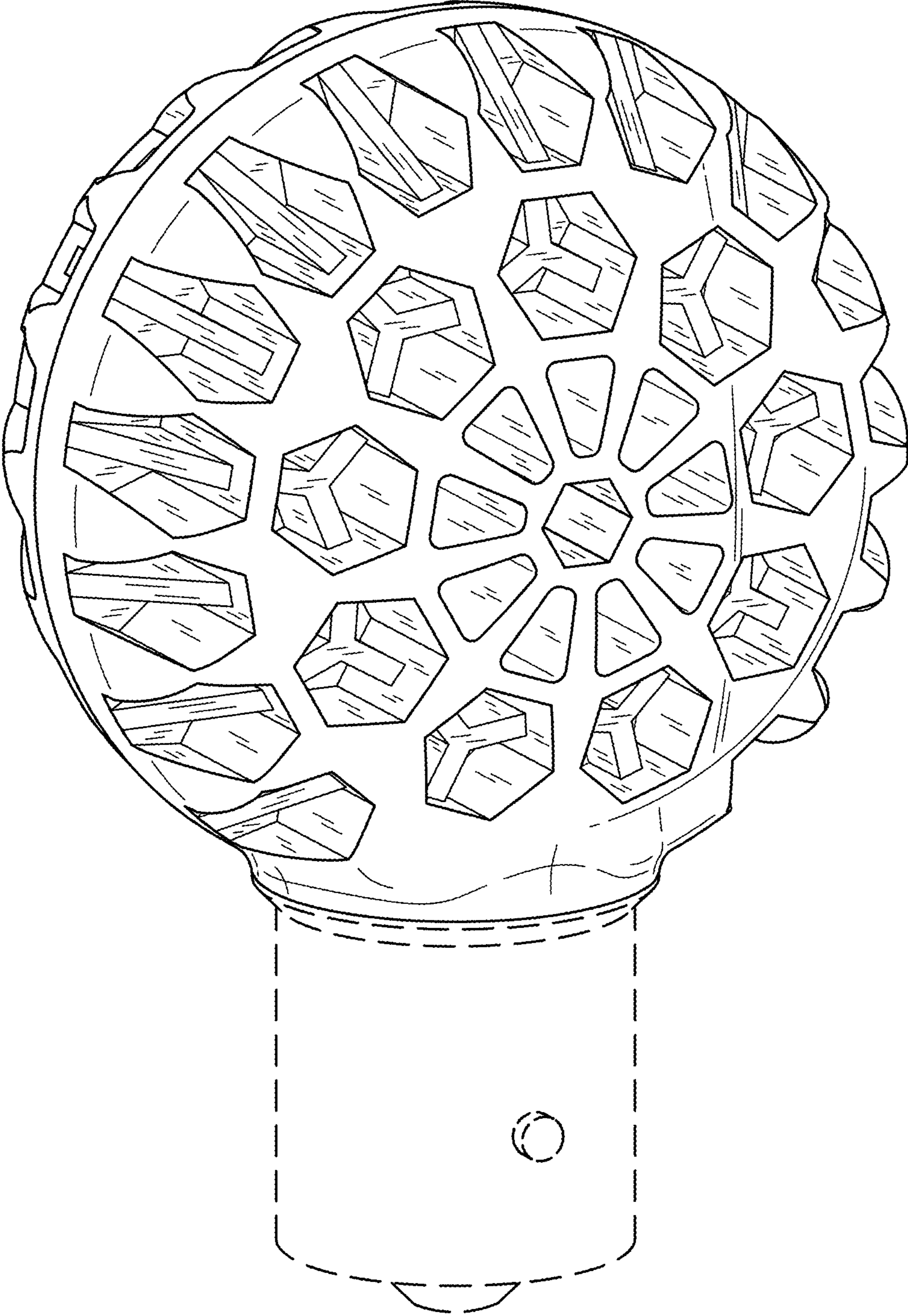


FIG. 2

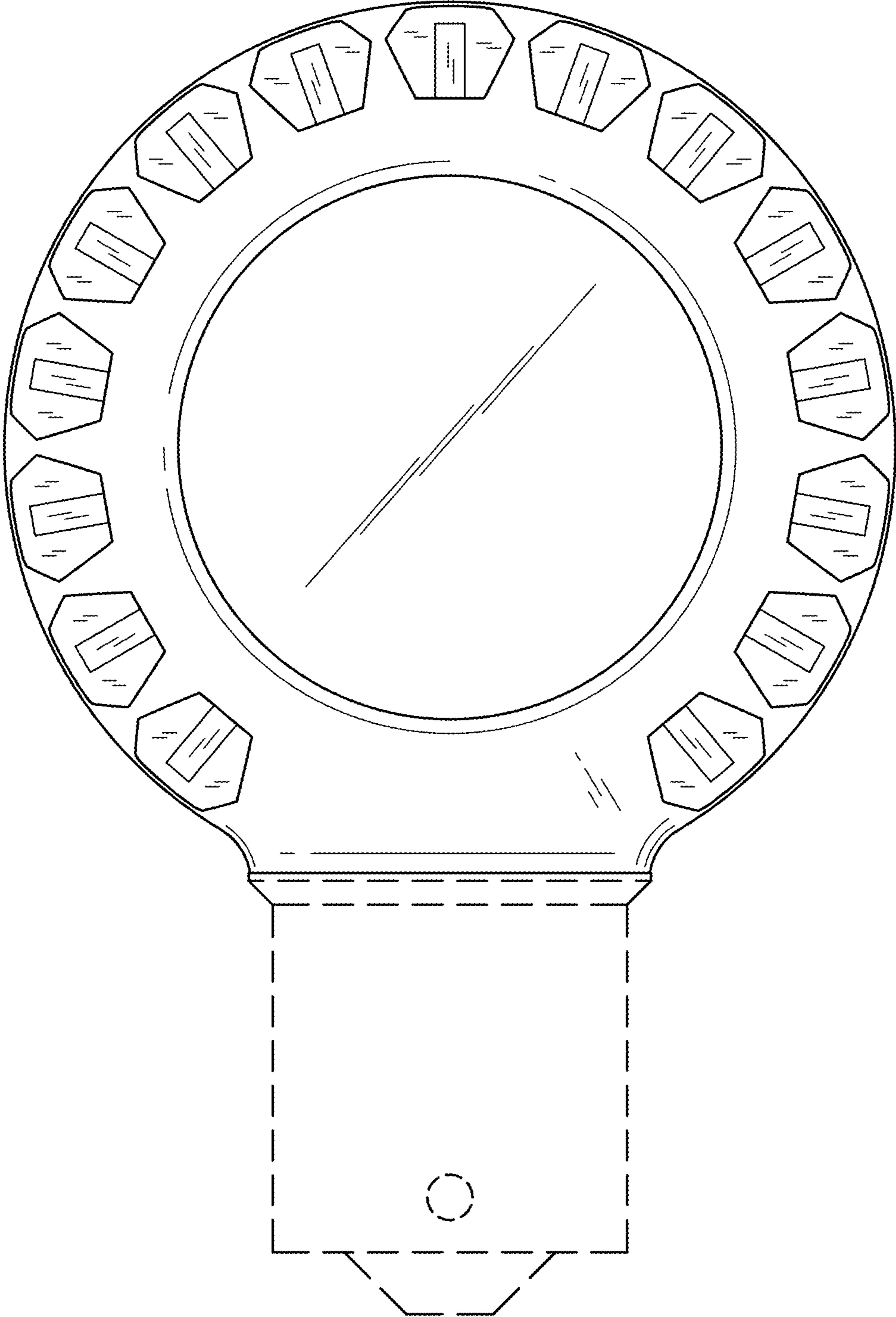


FIG. 3

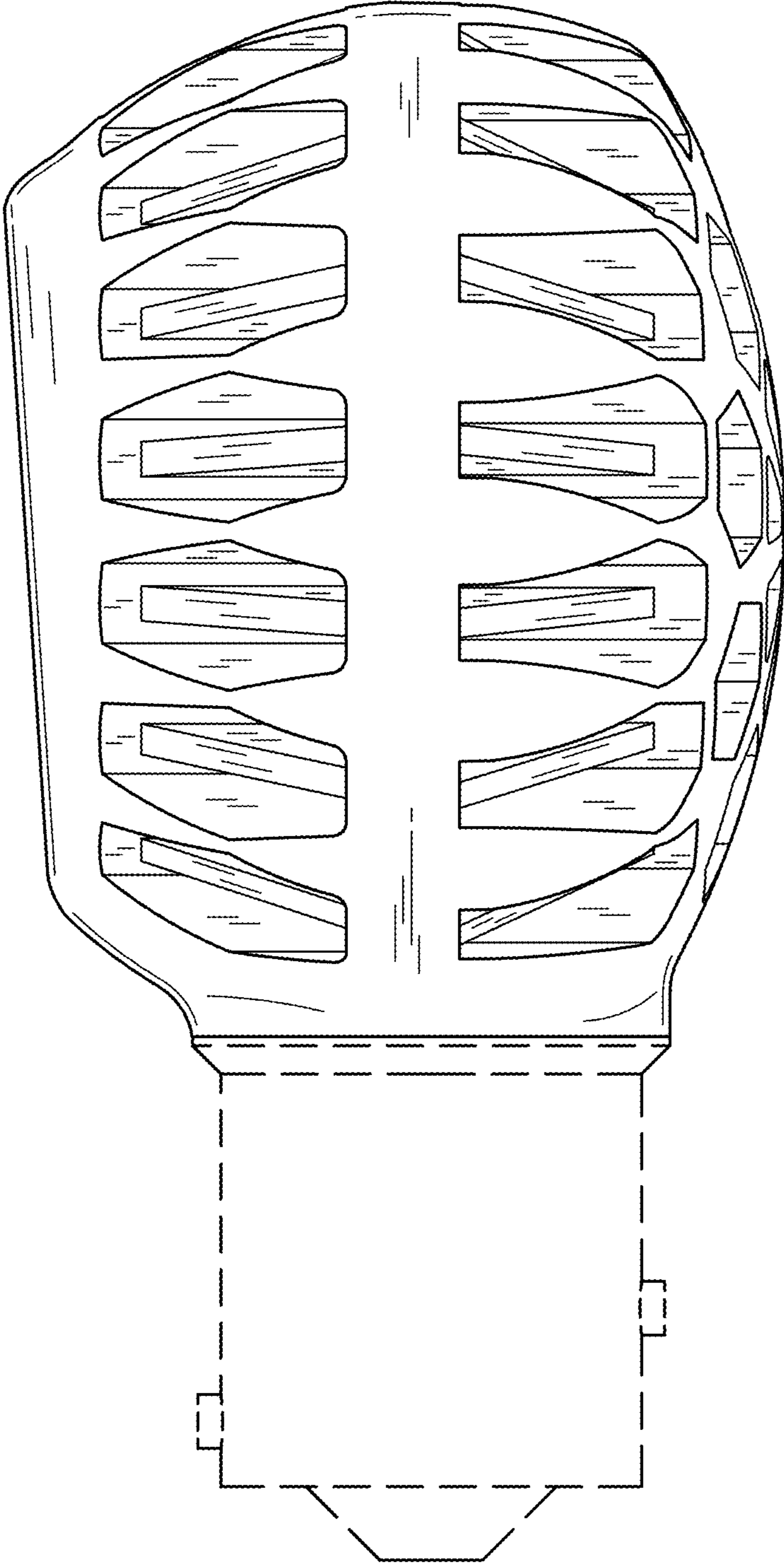


FIG. 4

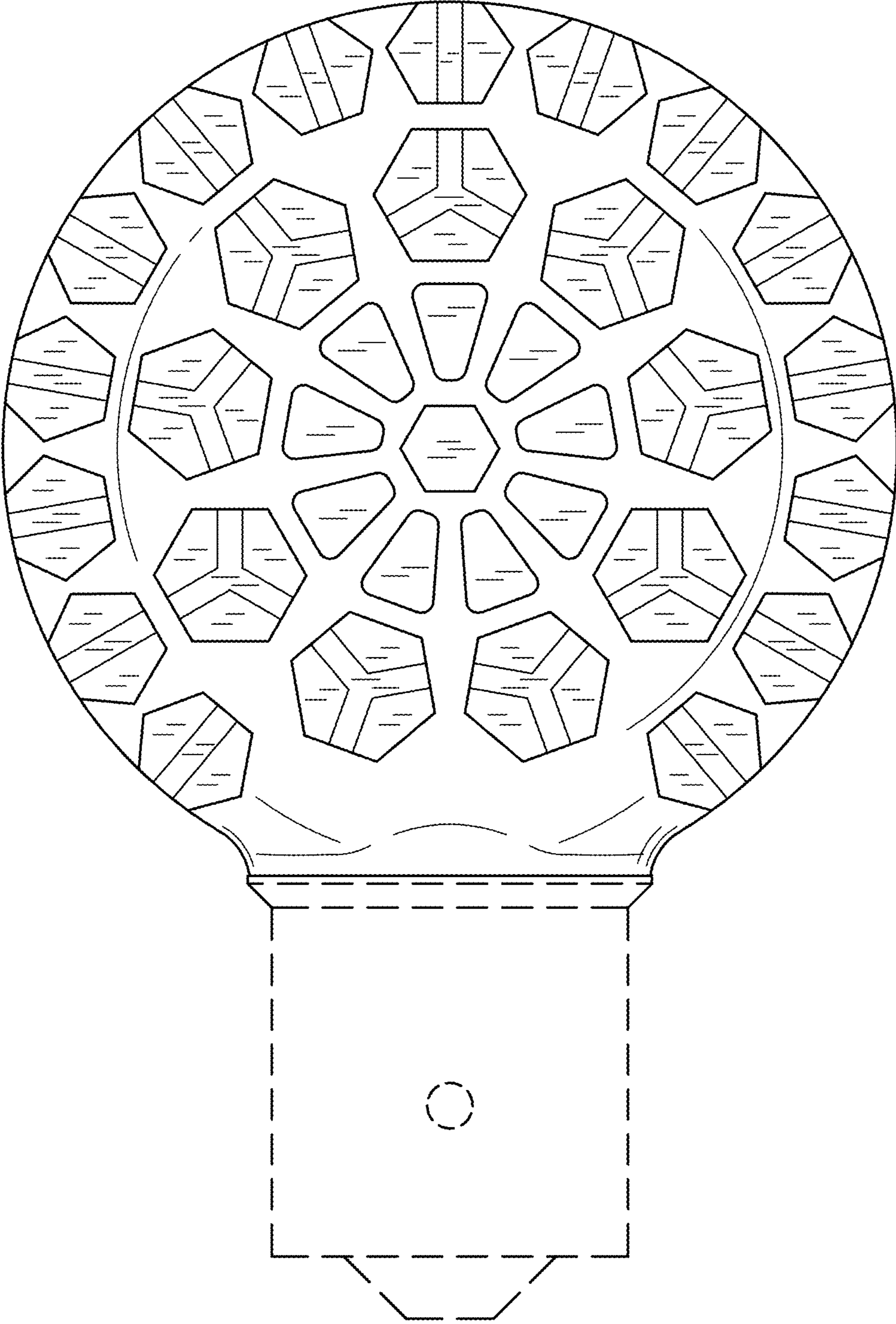


FIG. 5

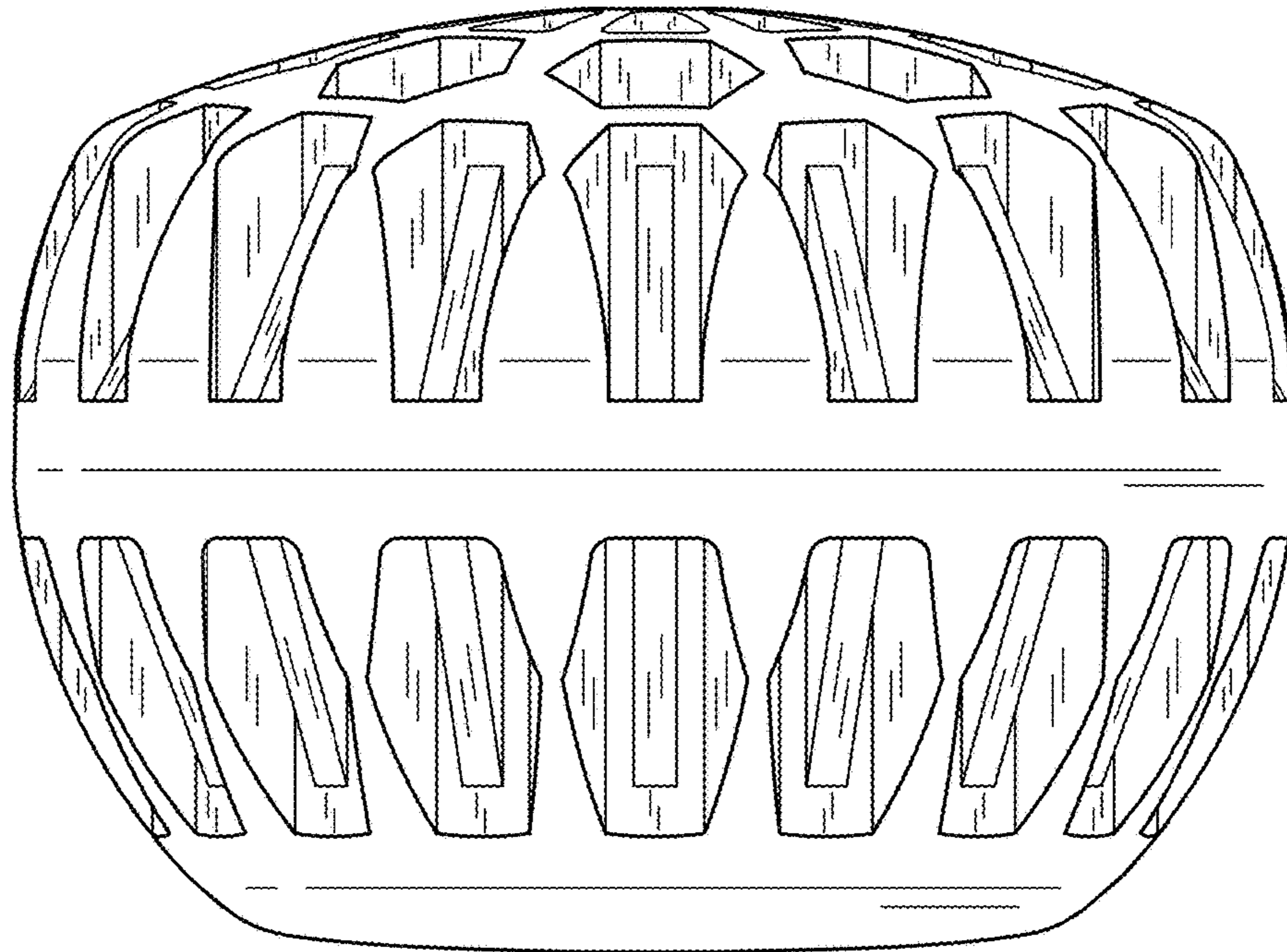


FIG. 6

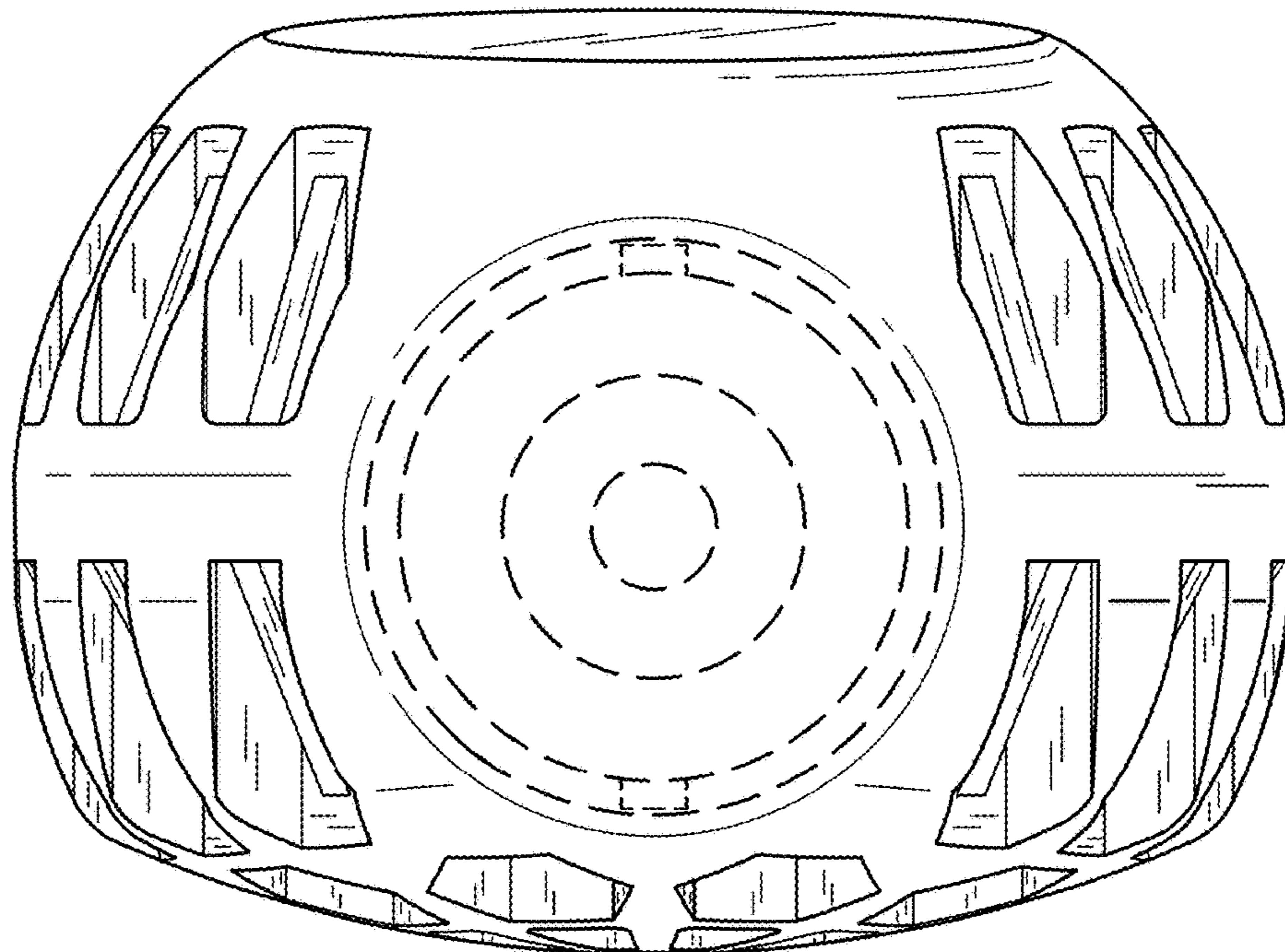


FIG. 7