



US00D802177S

(12) **United States Design Patent** (10) **Patent No.:** **US D802,177 S**  
**Calvin et al.** (45) **Date of Patent:** **\*\* Nov. 7, 2017**

(54) **AIRCRAFT NAVIGATION LIGHT**  
(71) Applicants: **Nathan H. Calvin**, Boise, ID (US);  
**Dean A. Wilkinson**, Boise, ID (US)  
(72) Inventors: **Nathan H. Calvin**, Boise, ID (US);  
**Dean A. Wilkinson**, Boise, ID (US)  
(\*\*) Term: **15 Years**  
(21) Appl. No.: **29/575,555**  
(22) Filed: **Aug. 26, 2016**  
(51) **LOC (10) Cl.** ..... **26-04**  
(52) **U.S. Cl.**  
USPC ..... **D26/2; D12/345**  
(58) **Field of Classification Search**  
USPC ..... D26/1-4; 313/313, 315, 316, 317, 318,  
313/493; 315/52, 53, 56, 57, 58;  
D12/345  
CPC ..... H01R 5/00; H01R 13/46; H01R 13/514;  
H01R 31/048; H01R 31/02; H01J 5/00;  
H01J 5/48; H01J 5/50; H01J 19/54  
See application file for complete search history.

(56) **References Cited**  
U.S. PATENT DOCUMENTS  
D536,107 S \* 1/2007 Egawa ..... D26/2  
D541,442 S \* 4/2007 Mama ..... D26/2  
D553,267 S \* 10/2007 Yuen ..... D26/2  
D592,780 S 5/2009 Calvin et al.

**OTHER PUBLICATIONS**  
Value Series 7512-12 to 14 Version 2A GG-10 SC Bayonet—  
Incandescent Miniature. Lighting Catalog [online]. Atlanta Light  
Bulbs, [retrieved on Jul. 22, 2016]. Retrieved from the Internet:  
<URL: <http://www.atlantalightbulbs.com/light-bulbs/incandescent-light-bulbs/incandescent-miniature-7001-to-70000/7512-12/>>.

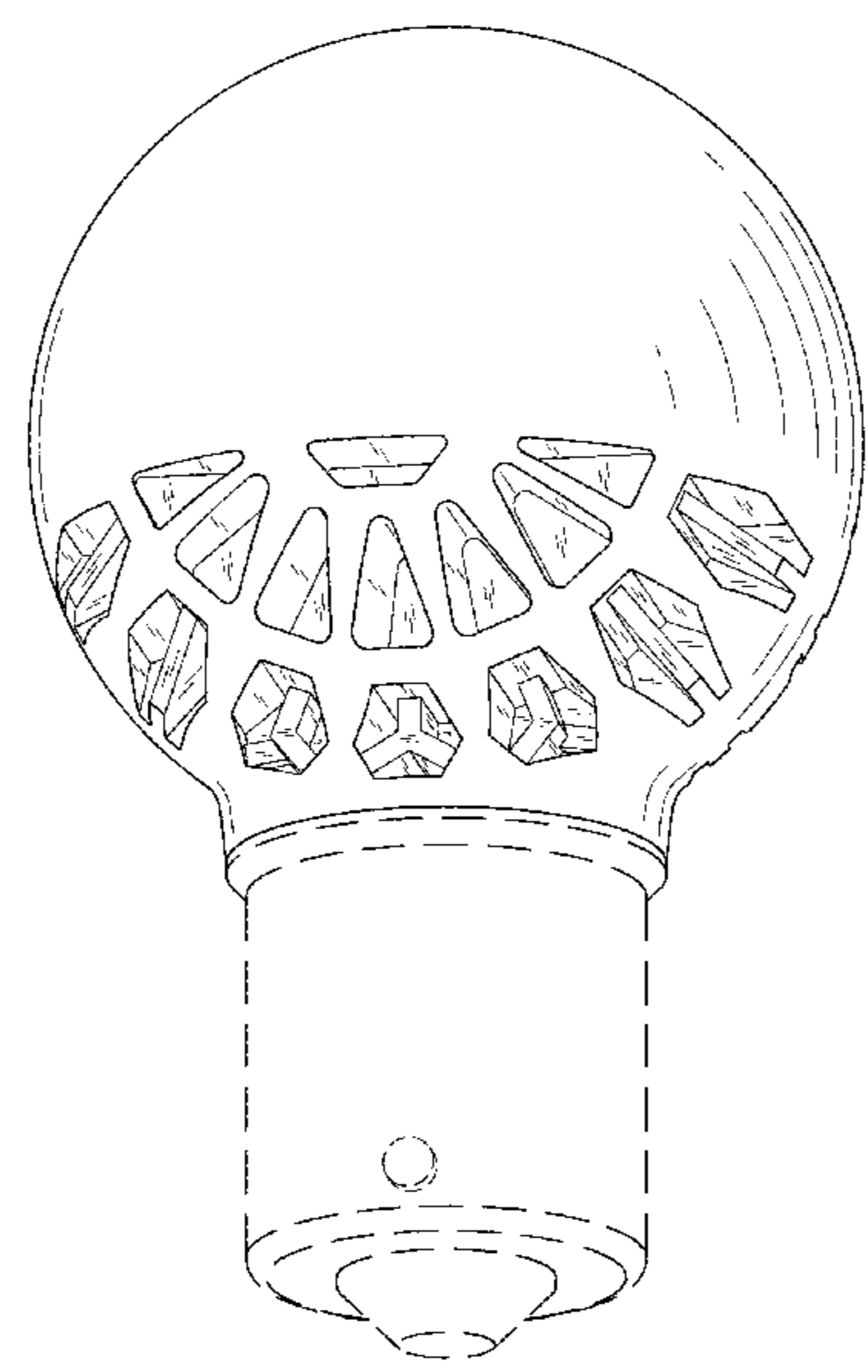
Norman Anticollision Lamp. Lighting Catalog [online]. A.E.R.O.,  
Inc., [retrieved on Jul. 22, 2016]. Retrieved from the Internet:  
<URL: <http://shop.aeroinstock.com/p-30149-anti-collision-lamp.aspx?keyword=nli-7512-12>>.  
Wamco Lighting. Lighting Catalog [online]. Namco, Inc., [retrieved  
on Jul. 22, 2016]. Retrieved from the Internet: <URL: <http://www.wamcoinc.com/lighting/ProductListing.aspx?Filter=0&Search=7512>>.

\* cited by examiner  
*Primary Examiner* — Marcus Jackson  
(74) *Attorney, Agent, or Firm* — Your Intellectual  
Property Matters, LLC; Robert A. Frohwerk

(57) **CLAIM**  
The ornamental design for an aircraft navigation light, as  
shown and described.

**DESCRIPTION**  
This application is co-pending with U.S. Utility patent  
application Ser. No. 15/247,668, entitled “Aircraft Naviga-  
tion Lamp” by Calvin, et al., filed on Aug. 25, 2016.  
FIG. 1 is a perspective view of the front of the aircraft  
navigation light;  
FIG. 2 is a perspective view of the rear of the aircraft  
navigation light;  
FIG. 3 is a front elevation view of the aircraft navigation  
light;  
FIG. 4 is a left side elevation view of the aircraft navigation  
light; the right side view is not shown as it is a mirror image  
of the left side view;  
FIG. 5 is a rear elevation view of the aircraft navigation  
light;  
FIG. 6 is a top plan view of the aircraft navigation light; and,  
FIG. 7 is a bottom plan view thereof.  
The broken lines depicting an example of a mounting  
element is included for illustration only and is not a feature  
of the claimed design.

**1 Claim, 6 Drawing Sheets**



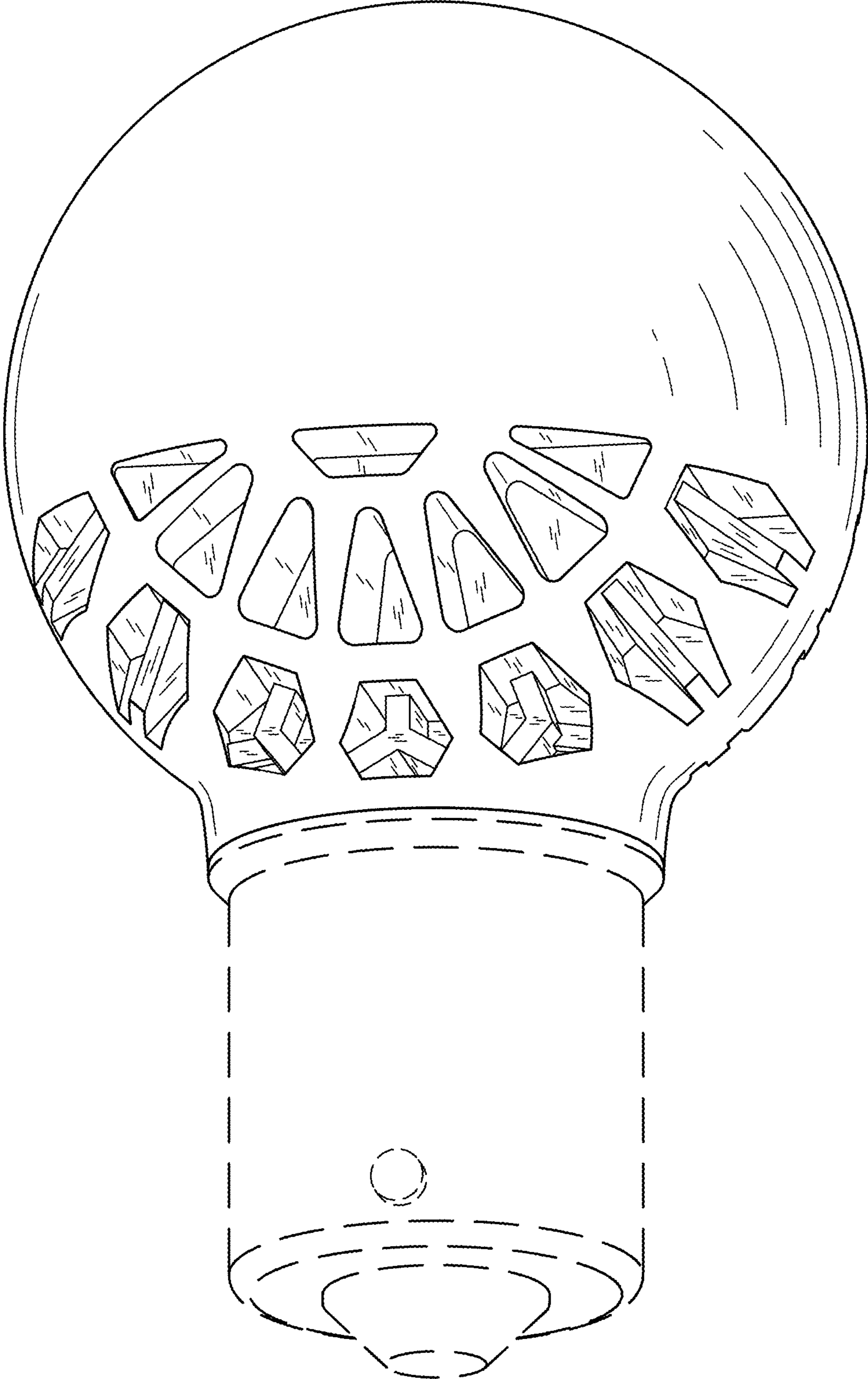


FIG. 1

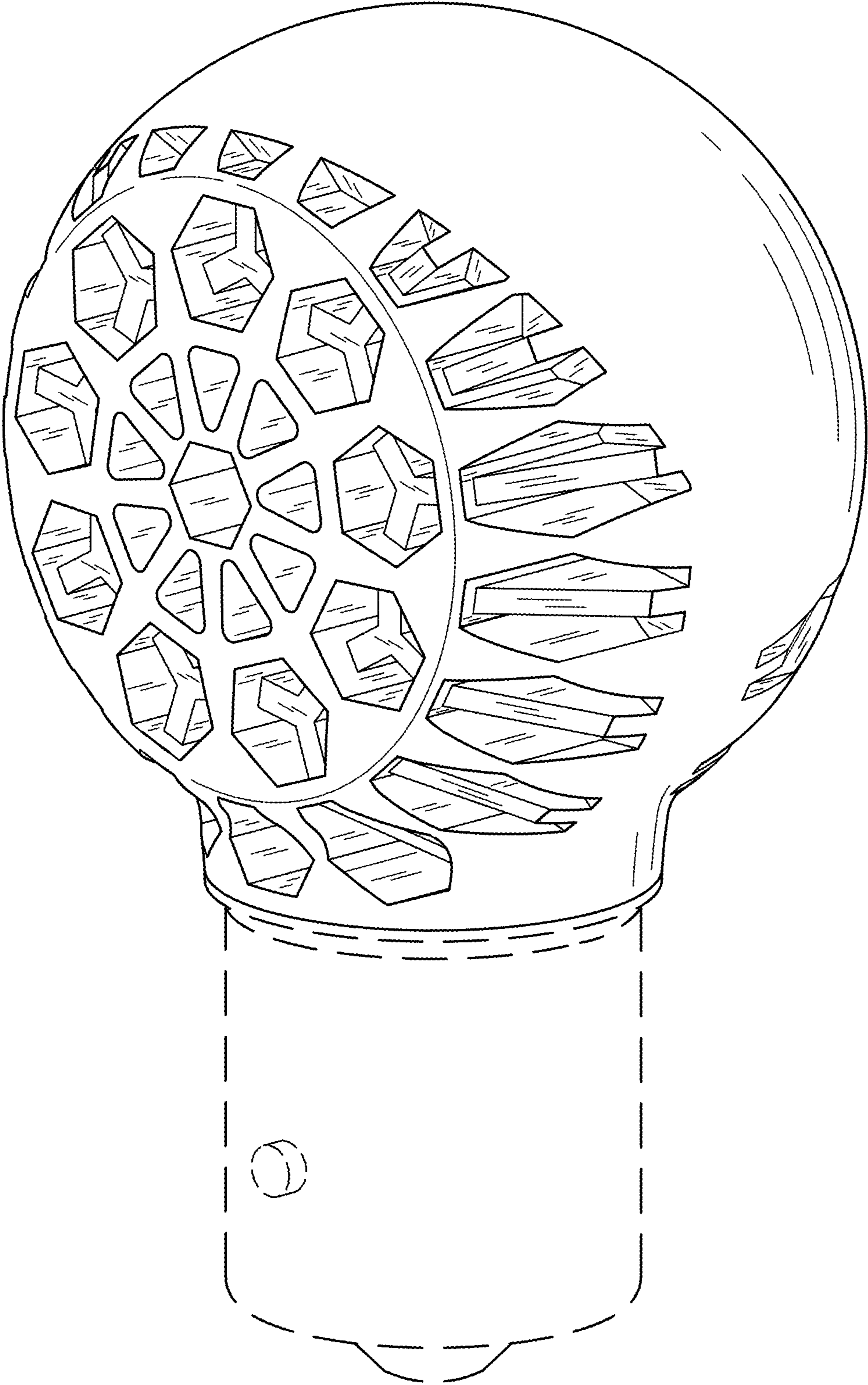


FIG. 2

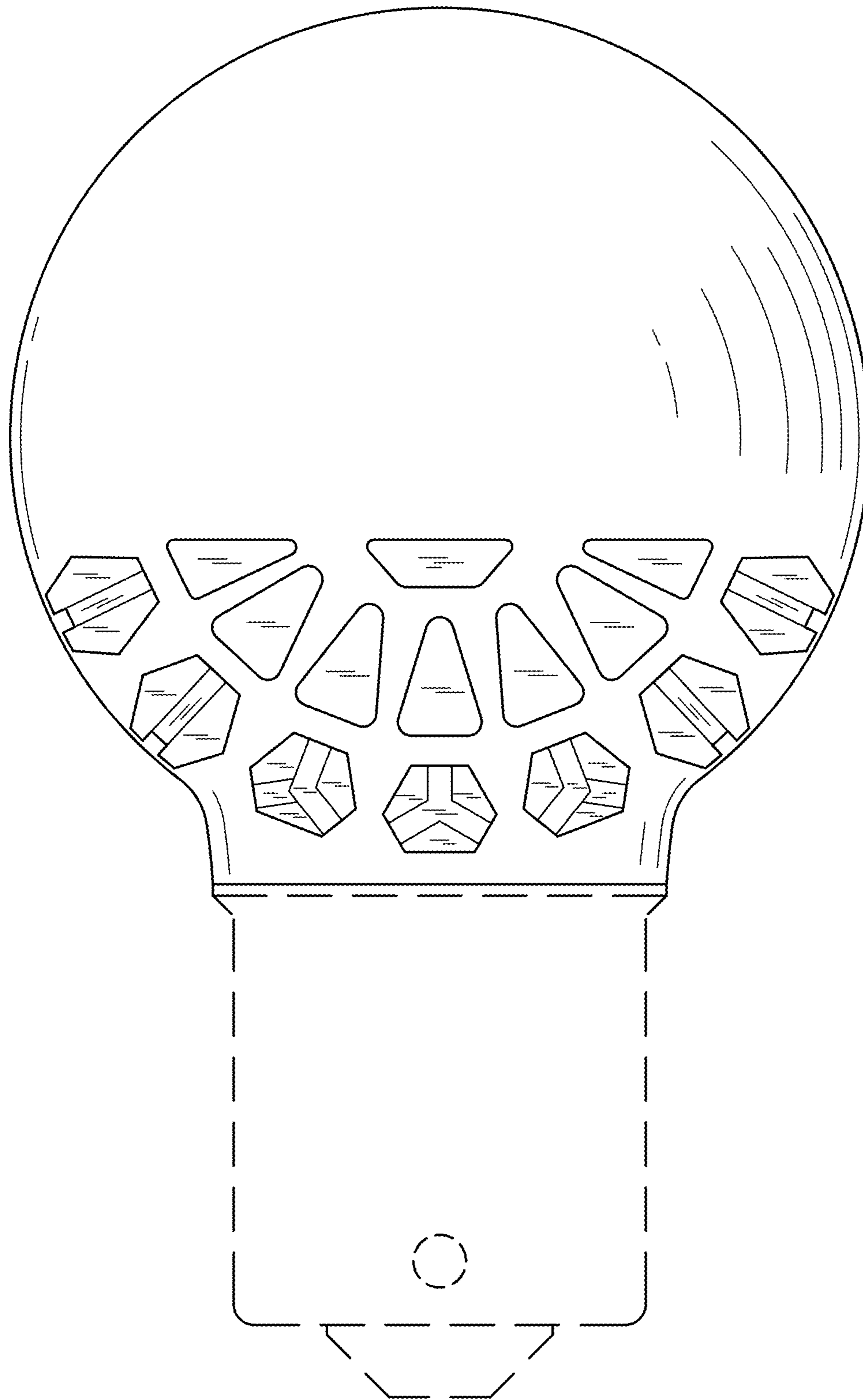


FIG. 3



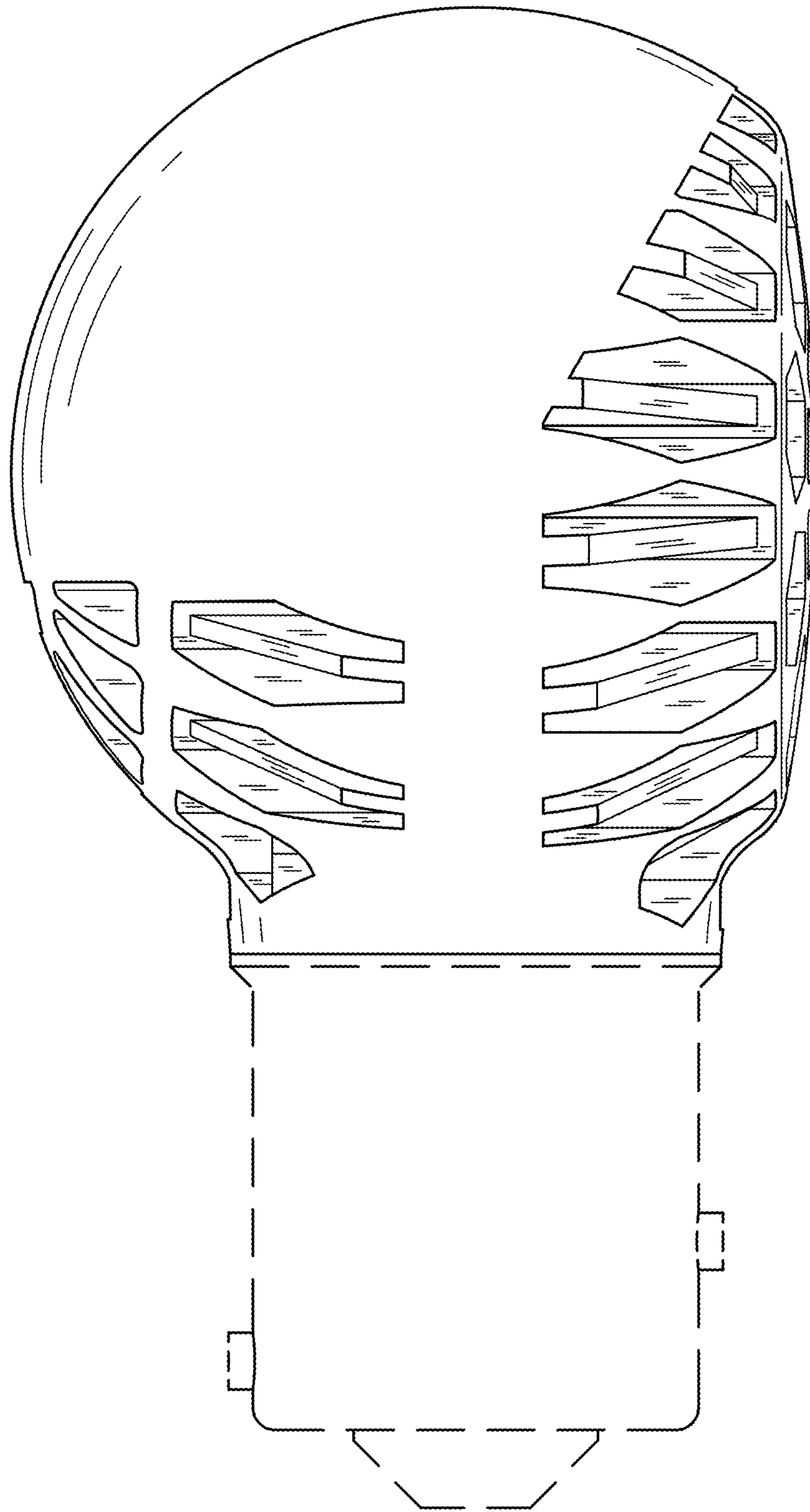


FIG. 4

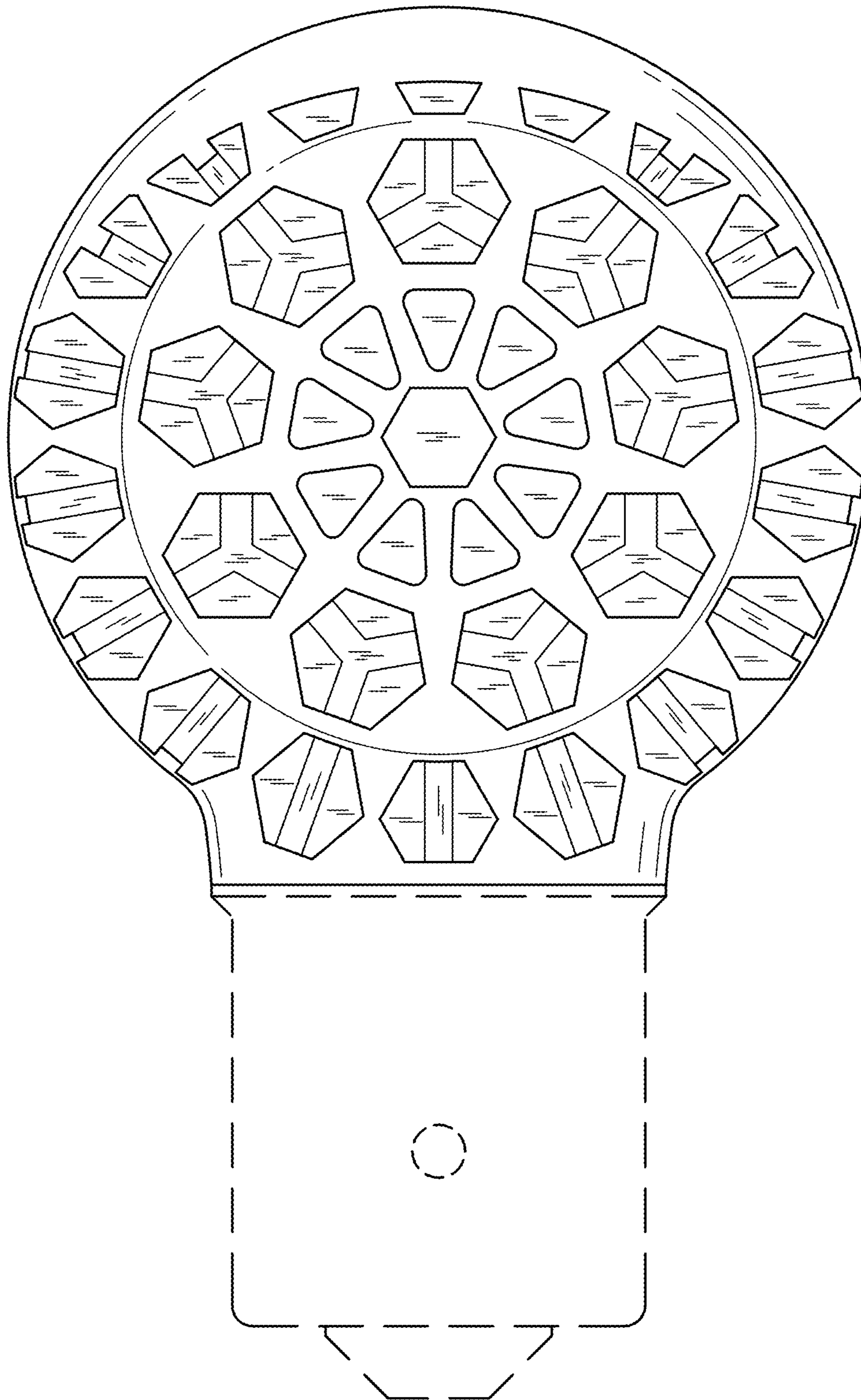


FIG. 5

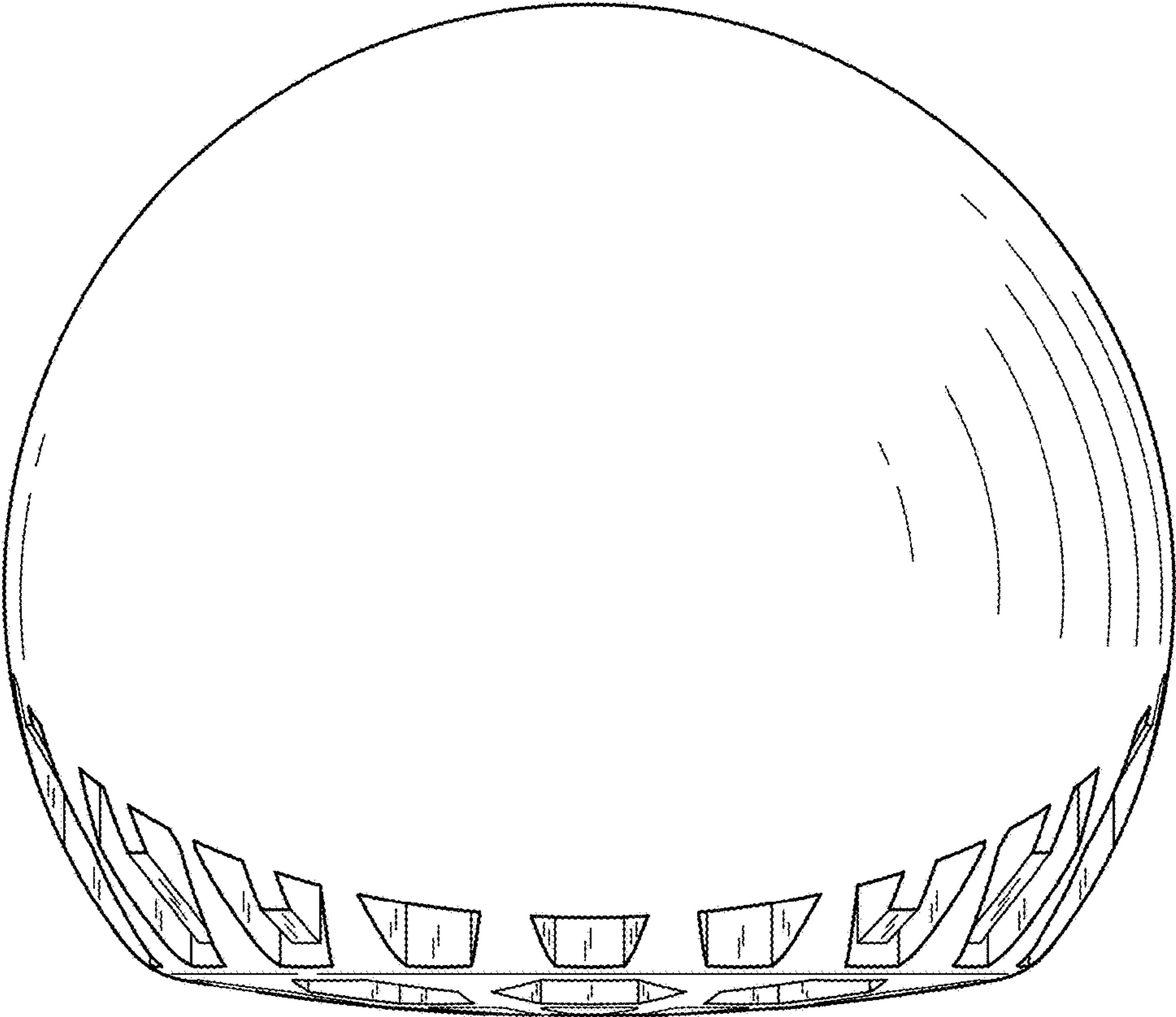


FIG. 6

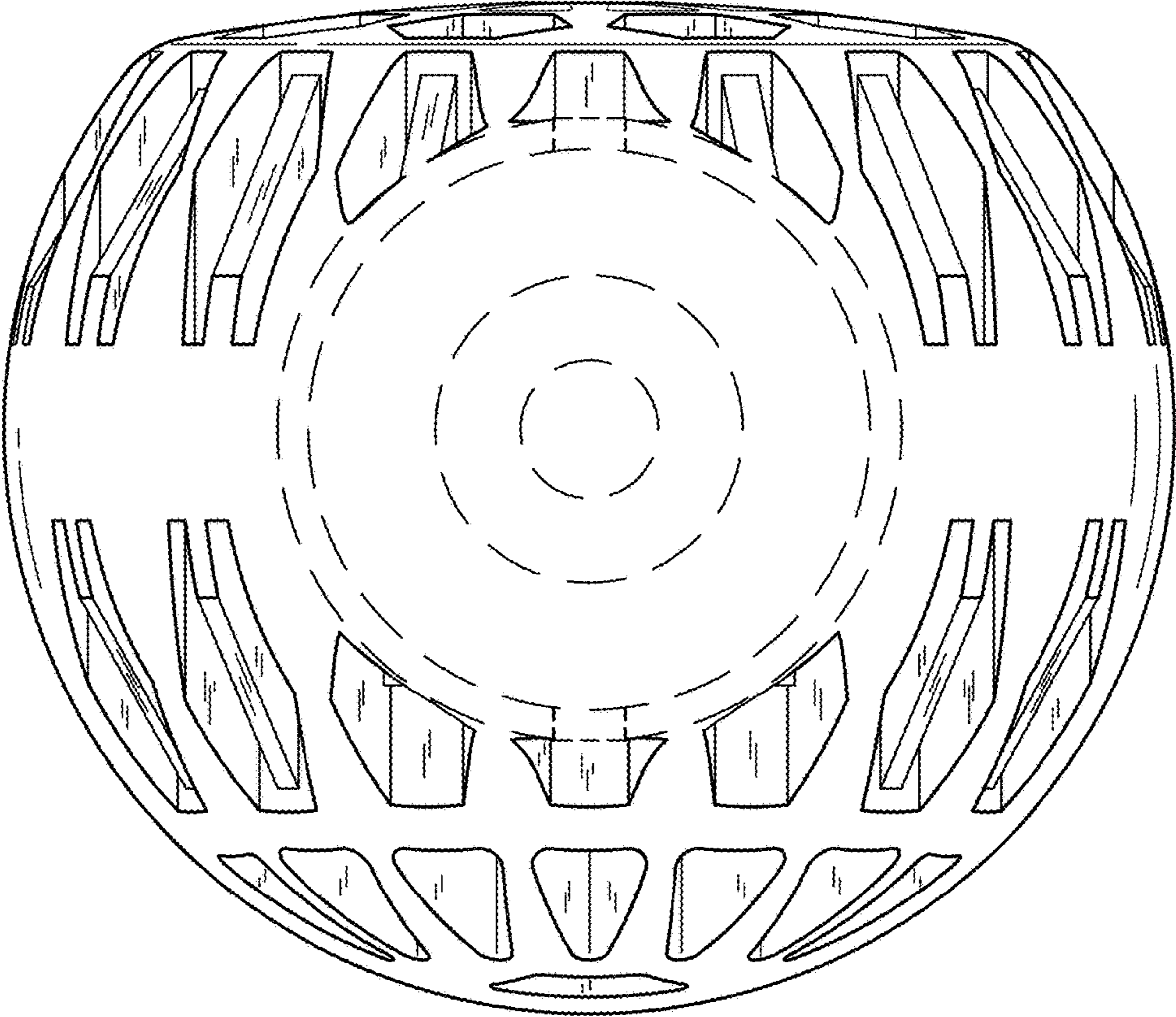


FIG. 7