



US00D802176S

(12) **United States Design Patent** (10) **Patent No.:** **US D802,176 S**
Tan et al. (45) **Date of Patent:** **** Nov. 7, 2017**

(54) **LED LIGHTING MODULE**

FOREIGN PATENT DOCUMENTS

(71) Applicant: **OSRAM GmbH**, Munich (DE)
(72) Inventors: **Jie Tan**, Shenzhen (CN); **HongWei Zhang**, Shenzhen (CN)
(73) Assignee: **OSRAM GMBH**, Munich (DE)
(**) Term: **15 Years**

CN	301787935 S	1/2012
CN	301806818 S	1/2012
CN	303161654 S	4/2015
EM	301791773-0001	12/2010
EM	301791971-0001	12/2010
EM	001416515	7/2014
JP	1441276	4/2012
JP	1441277	4/2012
KR	300683434	2/2013
KR	3006834340001	2/2013

(21) Appl. No.: **29/569,583**

OTHER PUBLICATIONS

(22) Filed: **Jun. 29, 2016**

Notice of Allowance received for the related Design U.S. Appl. No. 29/509,552 dated Jan. 5, 2016, 12 pages.

(30) **Foreign Application Priority Data**

Jan. 4, 2016 (EM) 002932467

* cited by examiner

(51) **LOC (10) Cl.** **26-04**

Primary Examiner — Marcus Jackson

(52) **U.S. Cl.**
USPC **D26/1**

(74) *Attorney, Agent, or Firm* — Viering, Jentschura & Partner mbB

(58) **Field of Classification Search**
USPC D26/1-4, 24; D13/180; 362/218, 294, 362/391

(57) **CLAIM**

CPC F21K 9/00; F21K 9/13; F21K 5/04; F21S 4/20; F21V 5/007; F21V 5/02; F21V 19/003; F21V 31/04

The ornamental design for an LED lighting module, as shown and described.

See application file for complete search history.

DESCRIPTION

(56) **References Cited**

U.S. PATENT DOCUMENTS

D595,887 S	7/2009	Blom	
D654,607 S	2/2012	Kim et al.	
D696,439 S	12/2013	He et al.	
D696,801 S *	12/2013	He	D26/24
D697,646 S	1/2014	He et al.	
D715,461 S *	10/2014	Chen	D26/1
D754,618 S *	4/2016	Freeman	D13/180
D756,548 S	5/2016	Wang et al.	

FIG. 1 is a perspective view of the LED lighting module
FIG. 2 is a right side view of the LED lighting module
FIG. 3 is a left side view of the LED lighting module
FIG. 4 is a front view of the LED lighting module
FIG. 5 is a back view of the LED lighting module
FIG. 6 is a top view of the LED lighting module; and,
FIG. 7 is a bottom view of the LED lighting module.

1 Claim, 7 Drawing Sheets

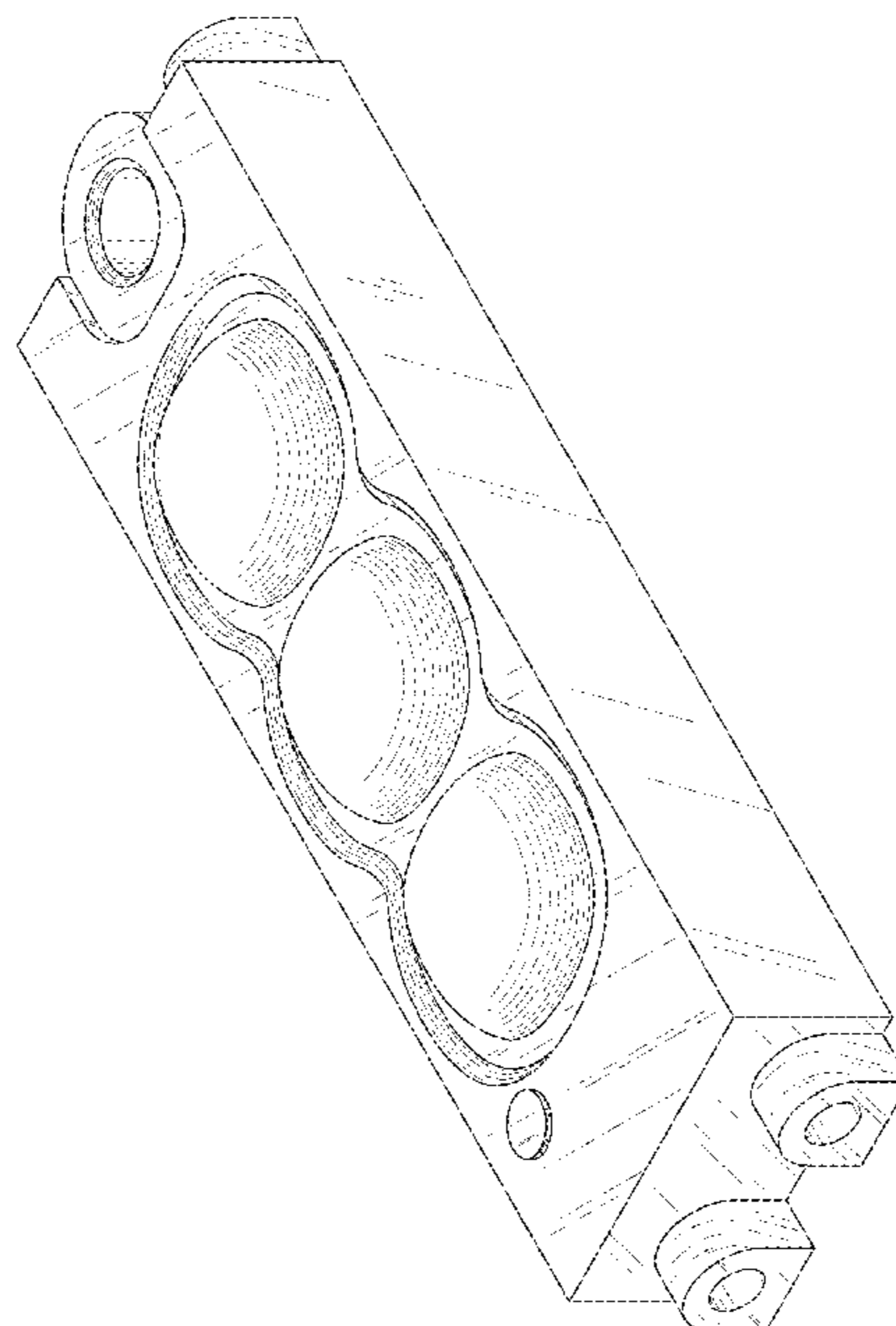


FIG 1

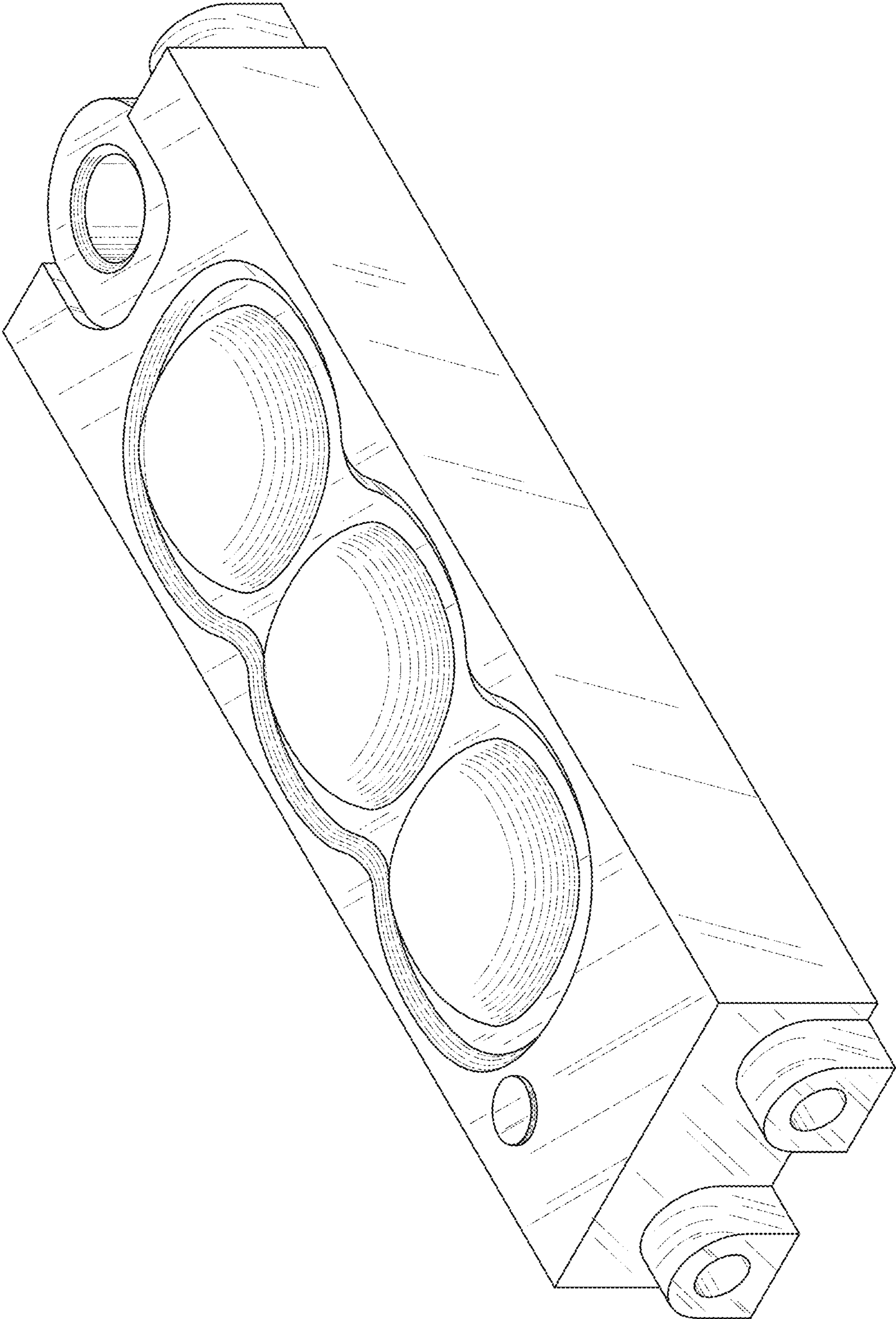


FIG 2

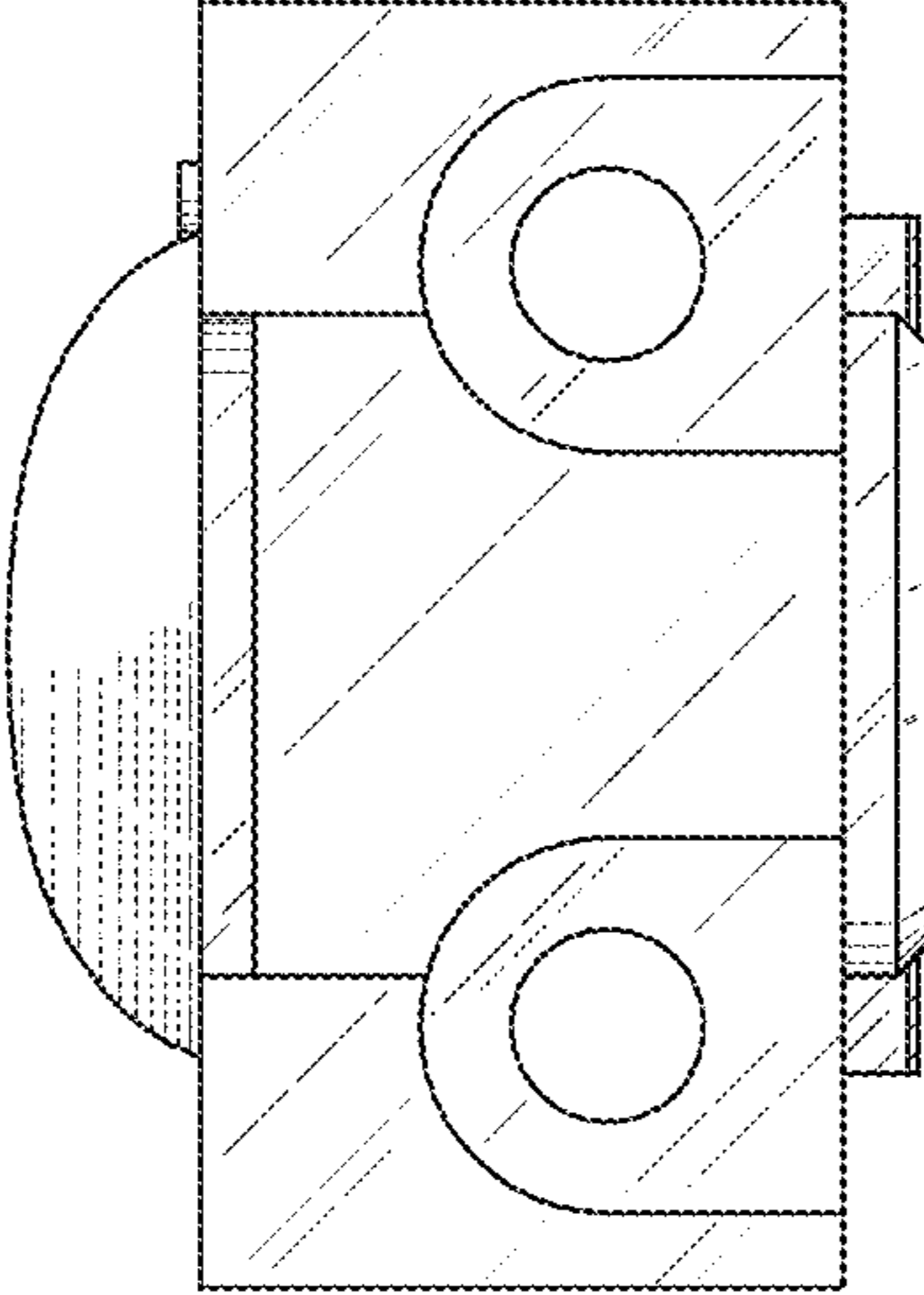


FIG 3

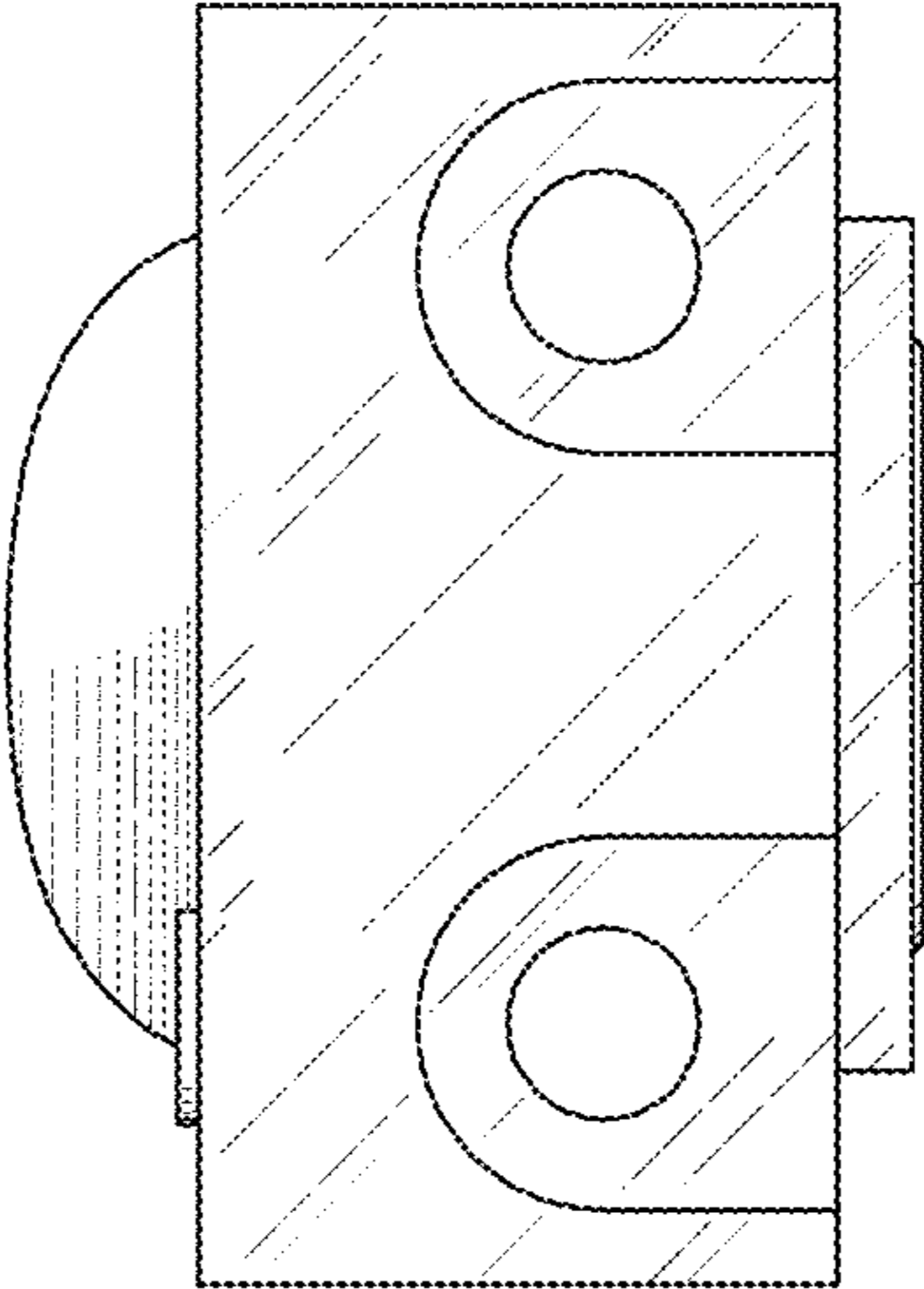


FIG 4

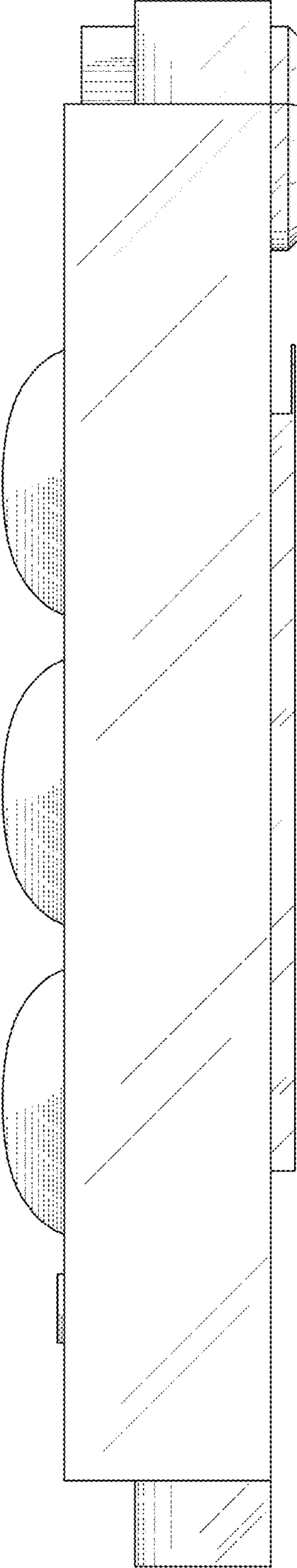


FIG 5

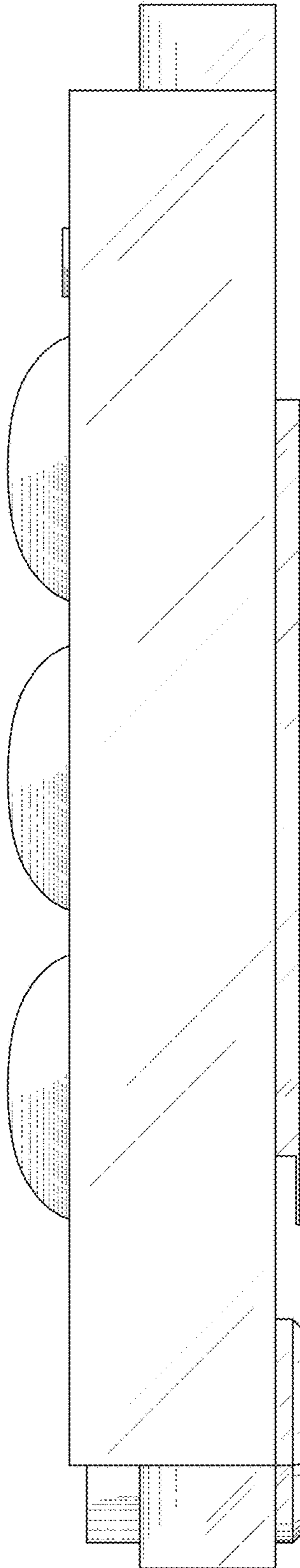


FIG 6

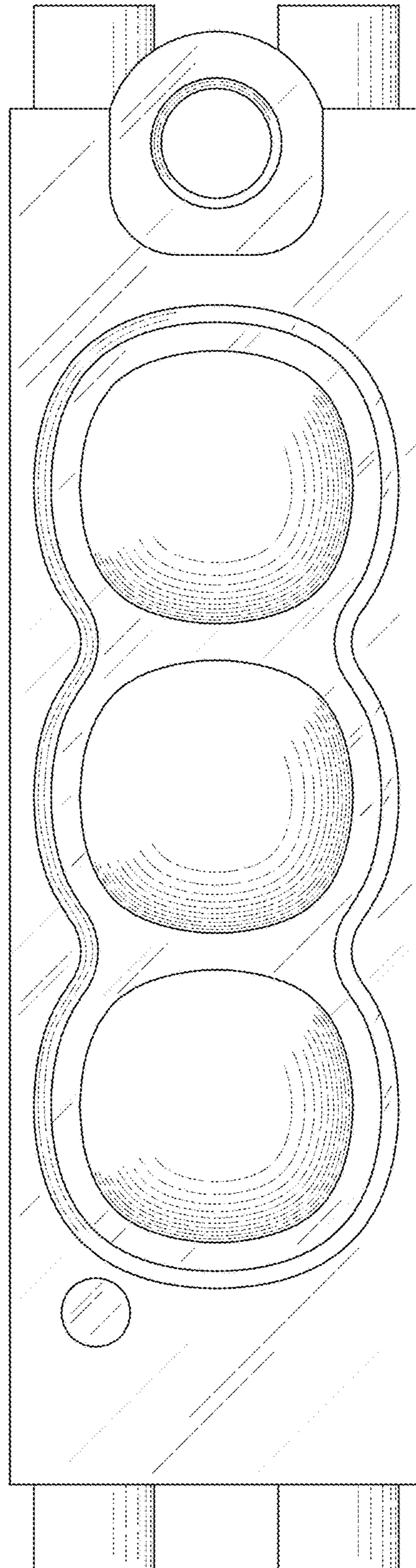


FIG 7

