



US00D802175S

(12) **United States Design Patent**  
**Yang et al.**

(10) **Patent No.:** **US D802,175 S**  
(45) **Date of Patent:** **\*\* Nov. 7, 2017**

(54) **LED LIGHTING MODULE**

FOREIGN PATENT DOCUMENTS

(71) Applicant: **OSRAM GmbH**, Munich (DE)  
(72) Inventors: **Yongqiang Yang**, Shenzhen (CN);  
**HongWei Zhang**, Shenzhen (CN)  
(73) Assignee: **Osram GmbH**, Munich (DE)  
(\*\*) Term: **15 Years**

CN	301787935 S	1/2012
CN	301806818 S	1/2012
CN	303250380 S	6/2015
EM	001791773	12/2010
EM	001791971	12/2010
EM	002473637	5/2014
JP	1441277 S	5/2012
JP	1441276 S	5/2015
KR	30-0683434-00-01 S	3/2013
KR	30-0683434 S	3/2013

(21) Appl. No.: **29/567,060**

\* cited by examiner

(22) Filed: **Jun. 6, 2016**

*Primary Examiner* — Marcus Jackson

(30) **Foreign Application Priority Data**

(74) *Attorney, Agent, or Firm* — Viering, Jentschura & Partner mbB

Jan. 4, 2016 (EM) ..... 002932418

(51) **LOC (10) Cl.** ..... **26-04**

(52) **U.S. Cl.**  
USPC ..... **D26/1**

(58) **Field of Classification Search**

USPC ..... D26/1-4; 313/313, 315, 316, 317, 318,  
313/493; 315/52, 53, 56, 57, 58

CPC ..... H01R 5/00; H01R 13/46; H01R 13/514;  
H01R 31/048; H01R 31/02; H01J 5/00;  
H01J 5/16; H01J 15/00; H01J 5/48; H01J  
5/50; H01J 19/54; F21V 5/00

See application file for complete search history.

(56) **References Cited**

U.S. PATENT DOCUMENTS

D696,439 S	12/2013	He et al.	
D696,801 S	12/2013	He et al.	
D715,461 S	* 10/2014	Chen	..... D26/1
D757,962 S	5/2016	Tan et al.	

(57) **CLAIM**

The ornamental design for an LED lighting module, as shown and described.

**DESCRIPTION**

FIG. 1 is a perspective view of the lighting module  
FIG. 2 is a right side view of the lighting module  
FIG. 3 is a left side view of the lighting module  
FIG. 4 is a front view of the lighting module  
FIG. 5 is a back view of the lighting module  
FIG. 6 is a top view of the lighting module; and,  
FIG. 7 is a bottom view of the lighting module.

**1 Claim, 7 Drawing Sheets**

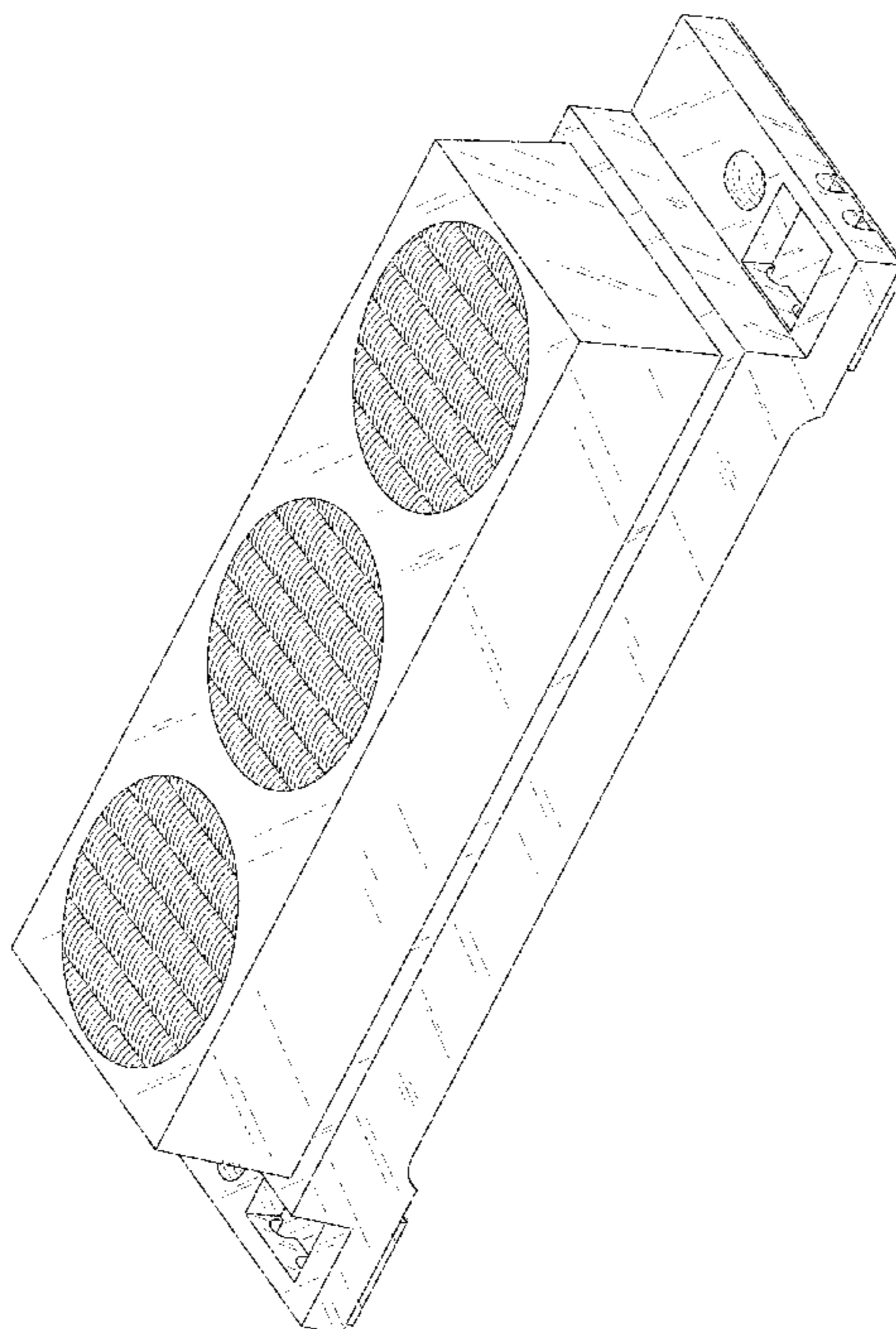


FIG 1

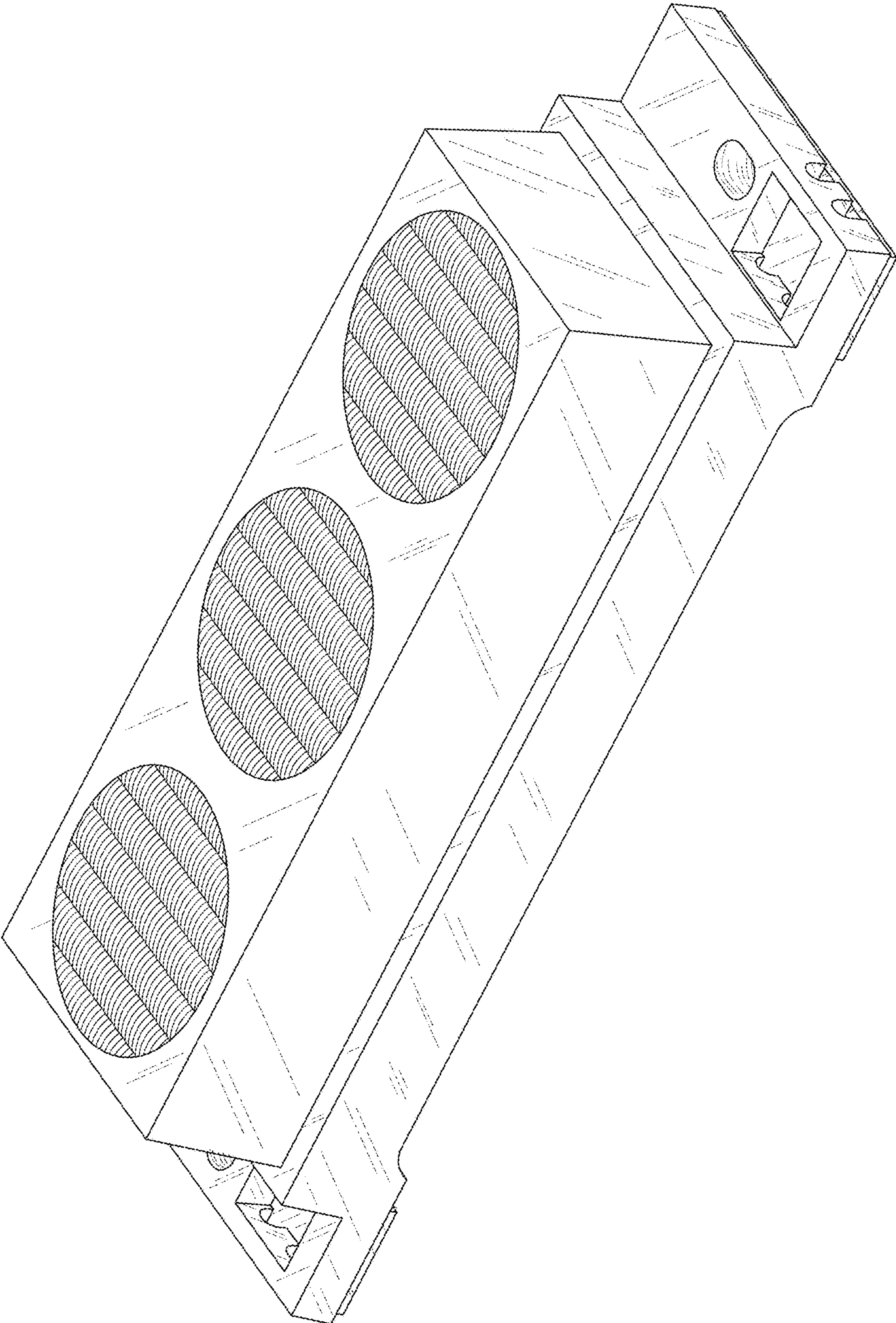


FIG 2

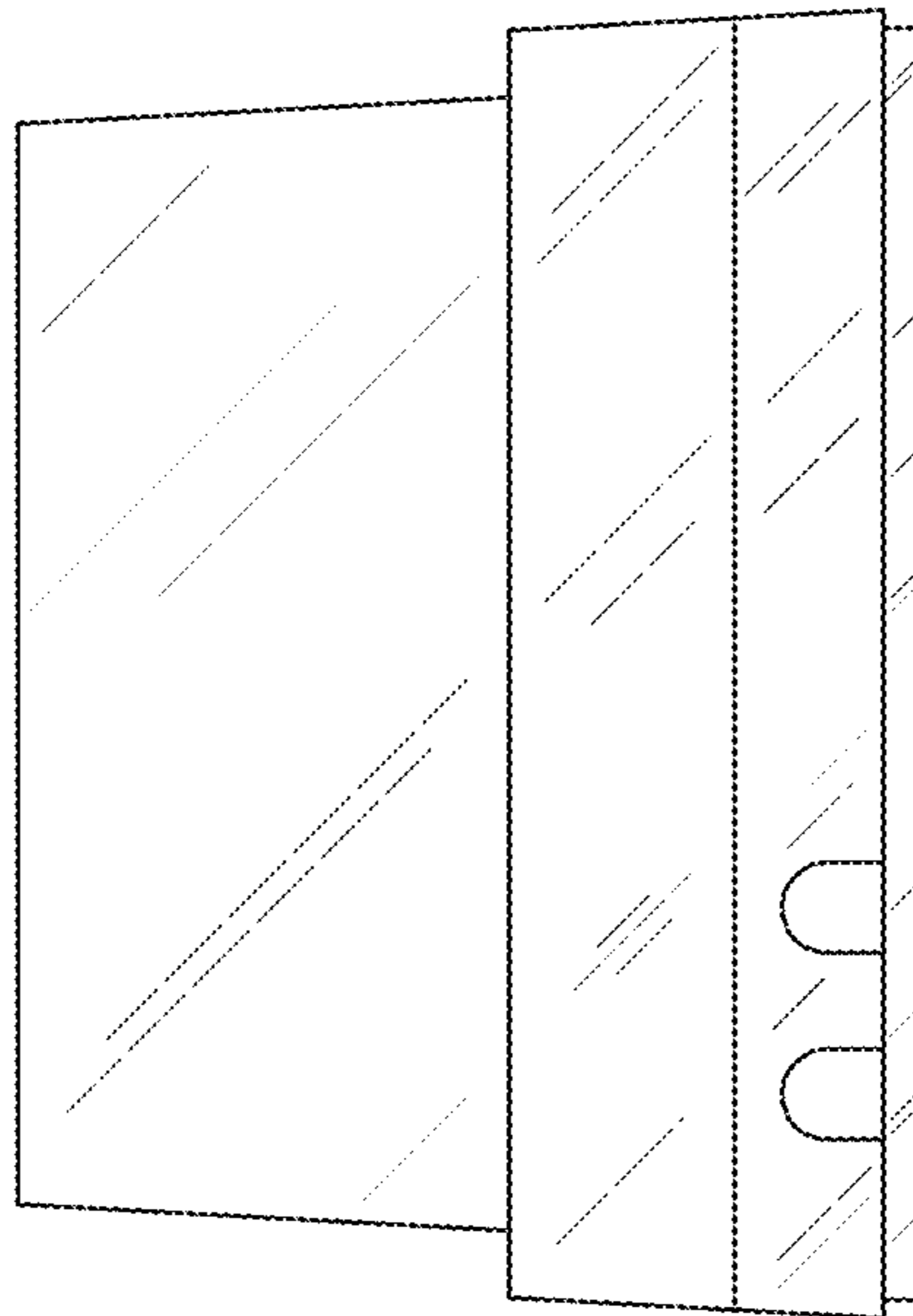


FIG 3

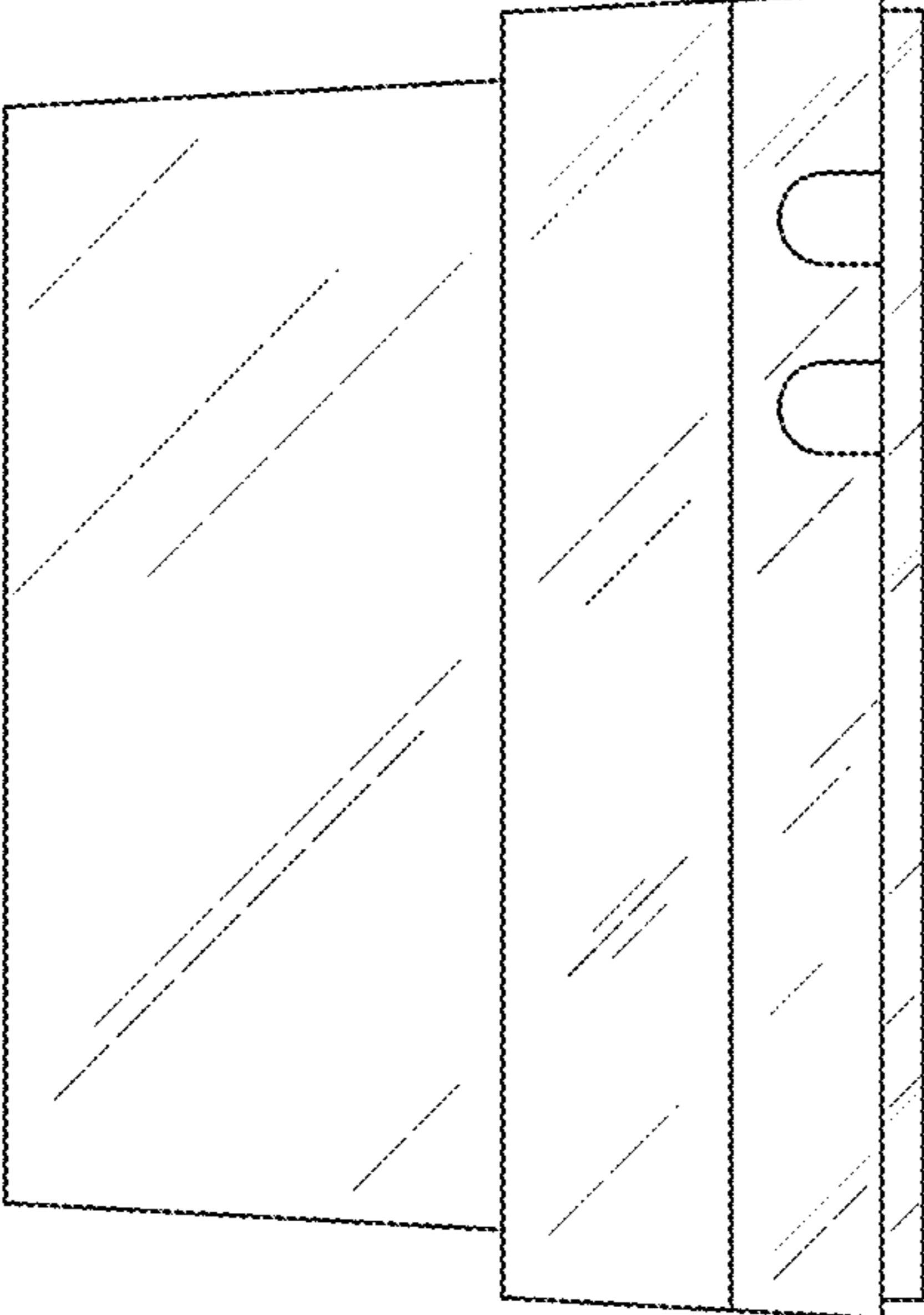


FIG 4

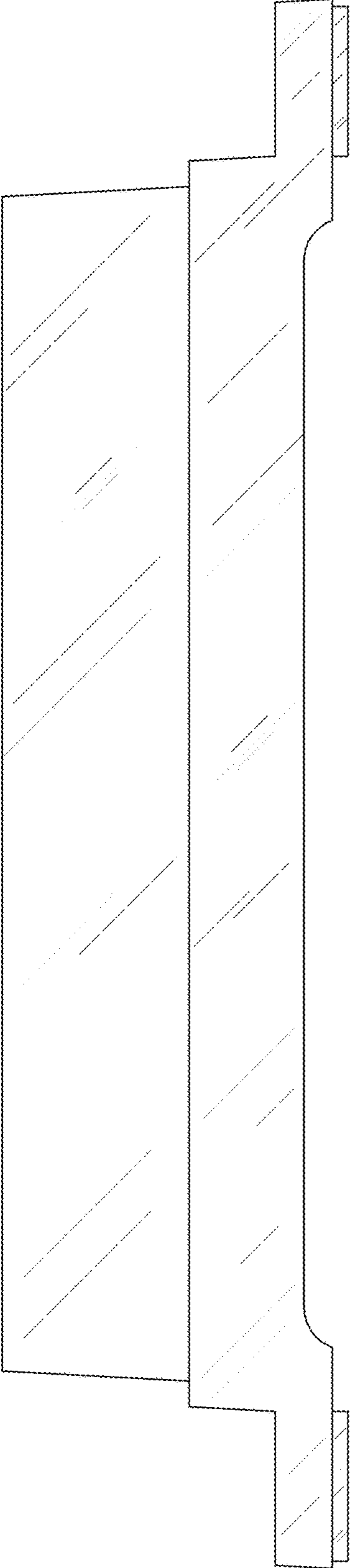


FIG 5

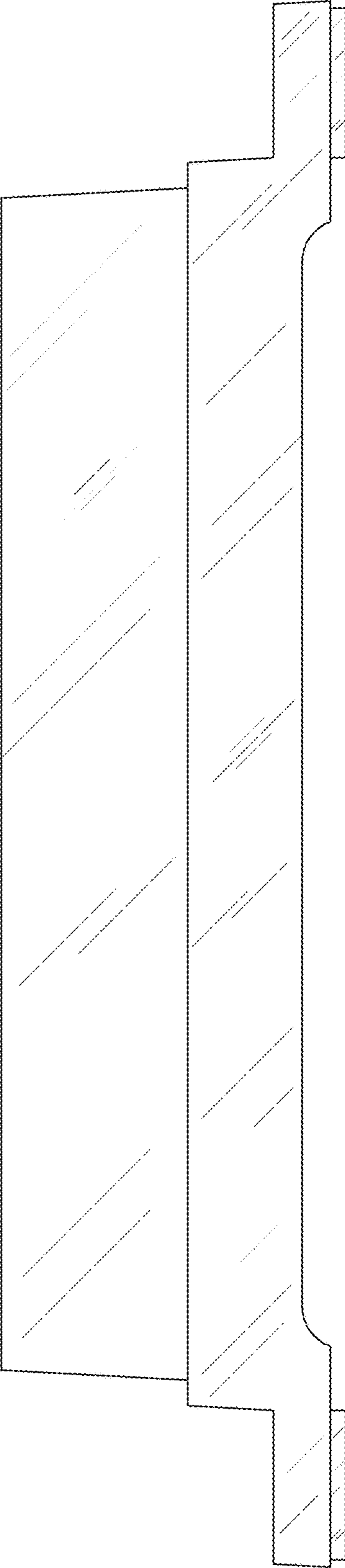


FIG 6

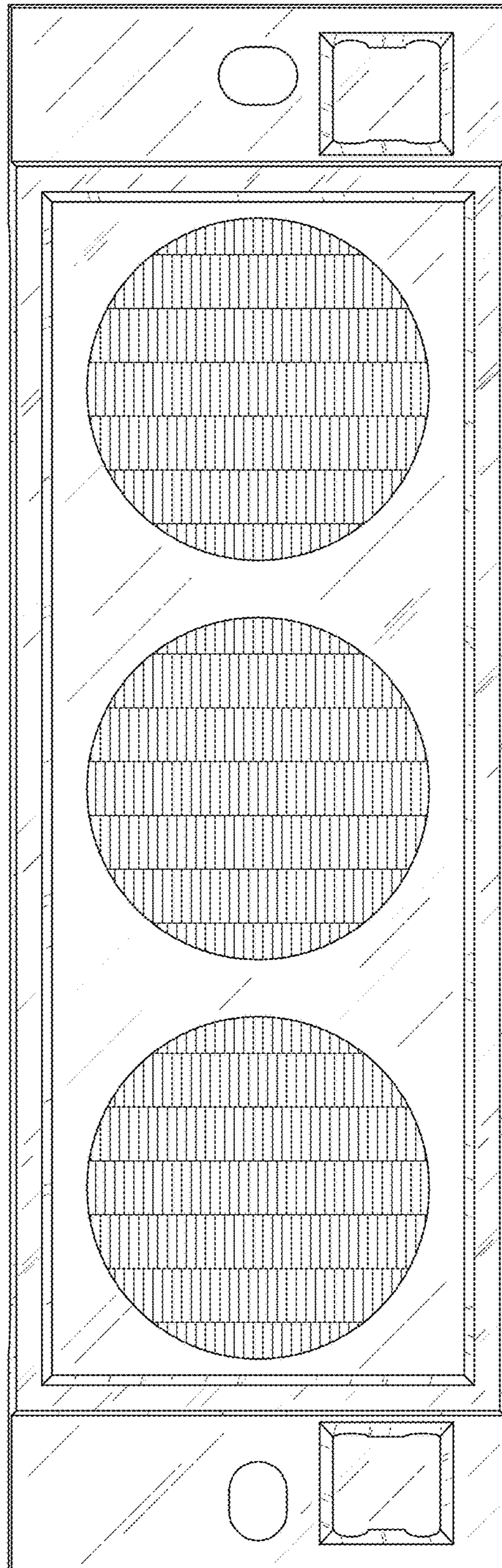


FIG 7

