



US00D802168S

(12) **United States Design Patent** (10) **Patent No.:** **US D802,168 S**
Lee (45) **Date of Patent:** **** Nov. 7, 2017**

(54) **ARTIFICIAL TURF INFILL**
(71) Applicant: **FINE CHEMICAL CO., LTD.,**
Gyeongsangnam-Do (KR)
(72) Inventor: **Sung Yull Lee**, Busan (KR)
(73) Assignee: **FINE CHEMICAL CO., LTD.,**
Gimhae (KR)
(**) Term: **15 Years**
(21) Appl. No.: **35/501,228**
(22) Filed: **Jun. 9, 2016**
(80) **Hague Agreement Data**
Int. Filing Date: **Jun. 9, 2016**
Int. Reg. No.: **DM/091476**
Int. Reg. Date: **Jun. 9, 2016**
Int. Reg. Pub. Date: **Jul. 15, 2016**
(51) **LOC (10) Cl.** **25-01**
(52) **U.S. Cl.**
USPC **D25/119**
CPC **E04C 1/00** (2013.01)
(58) **Field of Classification Search**
USPC D25/113-119, 199; D23/259;
52/596-612
CPC ... E04C 1/00; E04C 1/395; E04B 1/02; E02B
3/14; E02B 3/122; E02B 3/123; H02G
9/02; H02G 9/04; H02G 9/025
See application file for complete search history.

4,310,994 A * 1/1982 Gephardt E04B 2/12
52/608
D298,464 S * 11/1988 Roote D25/117
D313,857 S * 1/1991 Gabriel D25/113
D314,240 S * 1/1991 Scheiwiller D25/113
5,685,120 A * 11/1997 Sihra A63H 33/06
273/156
5,777,266 A * 7/1998 Herman H02G 9/02
138/155
D414,276 S * 9/1999 Bruno D21/488
D435,304 S * 12/2000 Rainey D25/114
6,202,565 B1 * 3/2001 Henry A62C 33/06
104/275
6,287,047 B1 * 9/2001 Dufresne E01F 9/529
138/106
D463,041 S * 9/2002 Dice D25/118
6,508,041 B1 * 1/2003 Boot E04B 2/18
52/578
6,878,881 B1 * 4/2005 Henry H02G 9/04
104/275
7,037,037 B1 * 5/2006 Smith E02B 3/14
405/16
D567,913 S * 4/2008 Norton D23/259
7,481,692 B2 * 1/2009 Bruder A63H 33/101
446/111
D674,918 S * 1/2013 Nanayakkara D25/115
(Continued)

Primary Examiner — Richard E Chilcot
(74) *Attorney, Agent, or Firm* — STIP Law Group, LLC

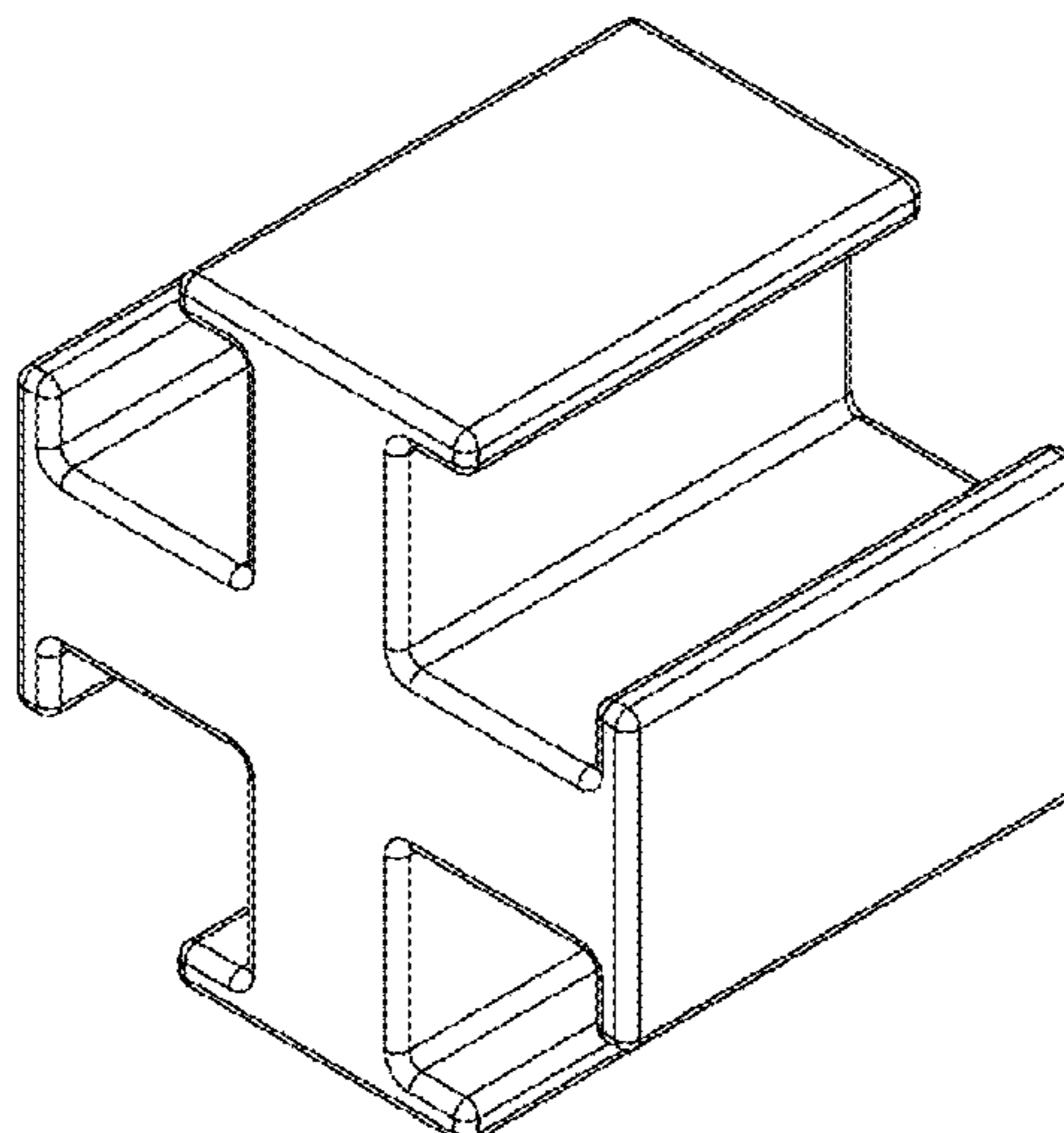
(57) **CLAIM**
The ornamental design for an artificial turf infill, as shown and described.

DESCRIPTION

- 1. Artificial turf infill
- 1.1 : Perspective
- 1.2 : Front
- 1.3 : Back
- 1.4 : Left
- 1.5 : Right
- 1.6 : Top
- 1.7 : Bottom

1 Claim, 7 Drawing Sheets

(56) **References Cited**
U.S. PATENT DOCUMENTS
D57,111 S * 2/1921 Bruce D25/161
D186,374 S * 10/1959 Bedeck 52/DIG. 2
D191,202 S * 8/1961 Walton D25/115
3,093,568 A * 6/1963 Cox G21C 5/08
273/160
D196,362 S * 9/1963 Bassetti D25/116
D254,450 S * 3/1980 Pulse D21/502



(56)

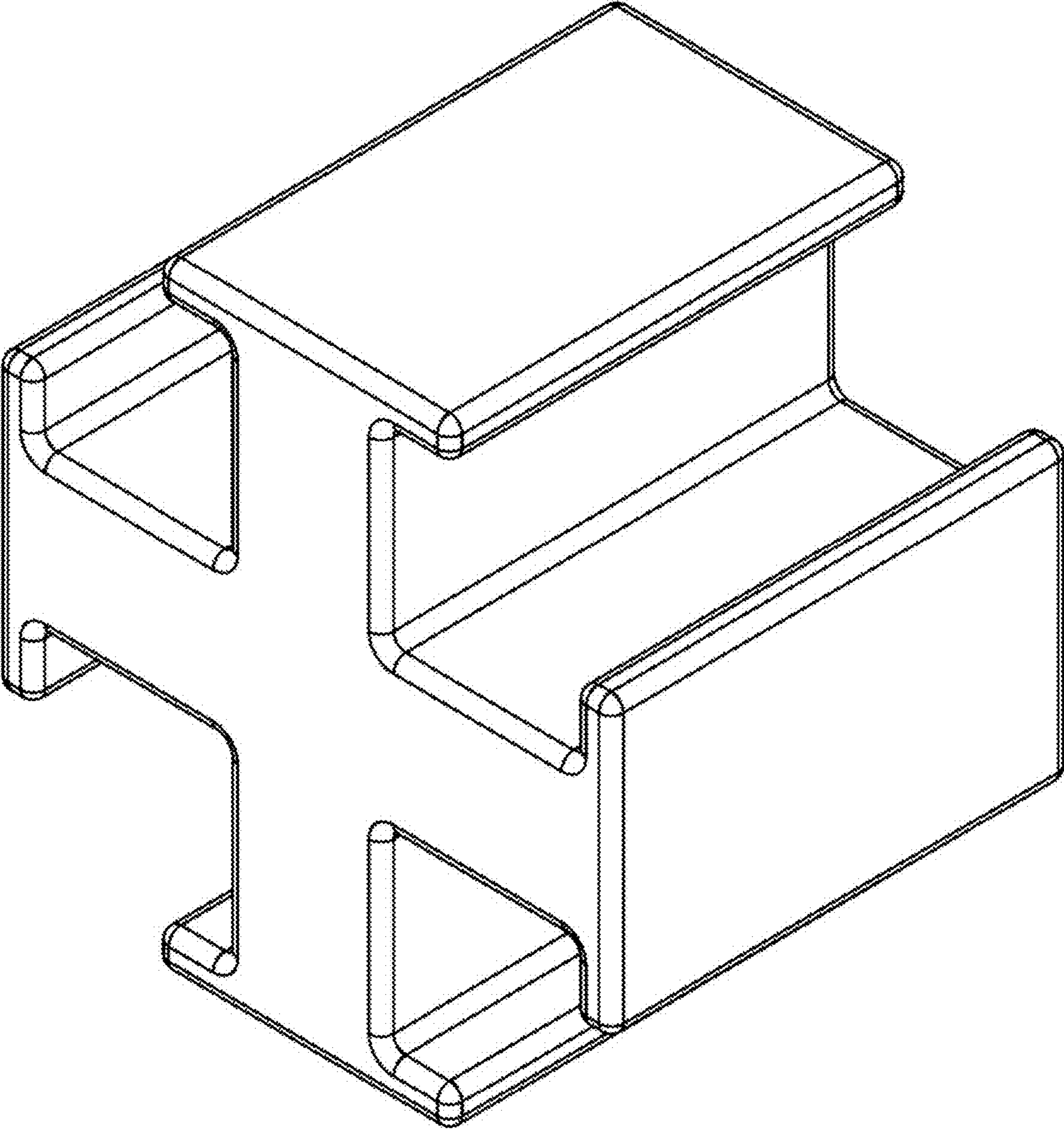
References Cited

U.S. PATENT DOCUMENTS

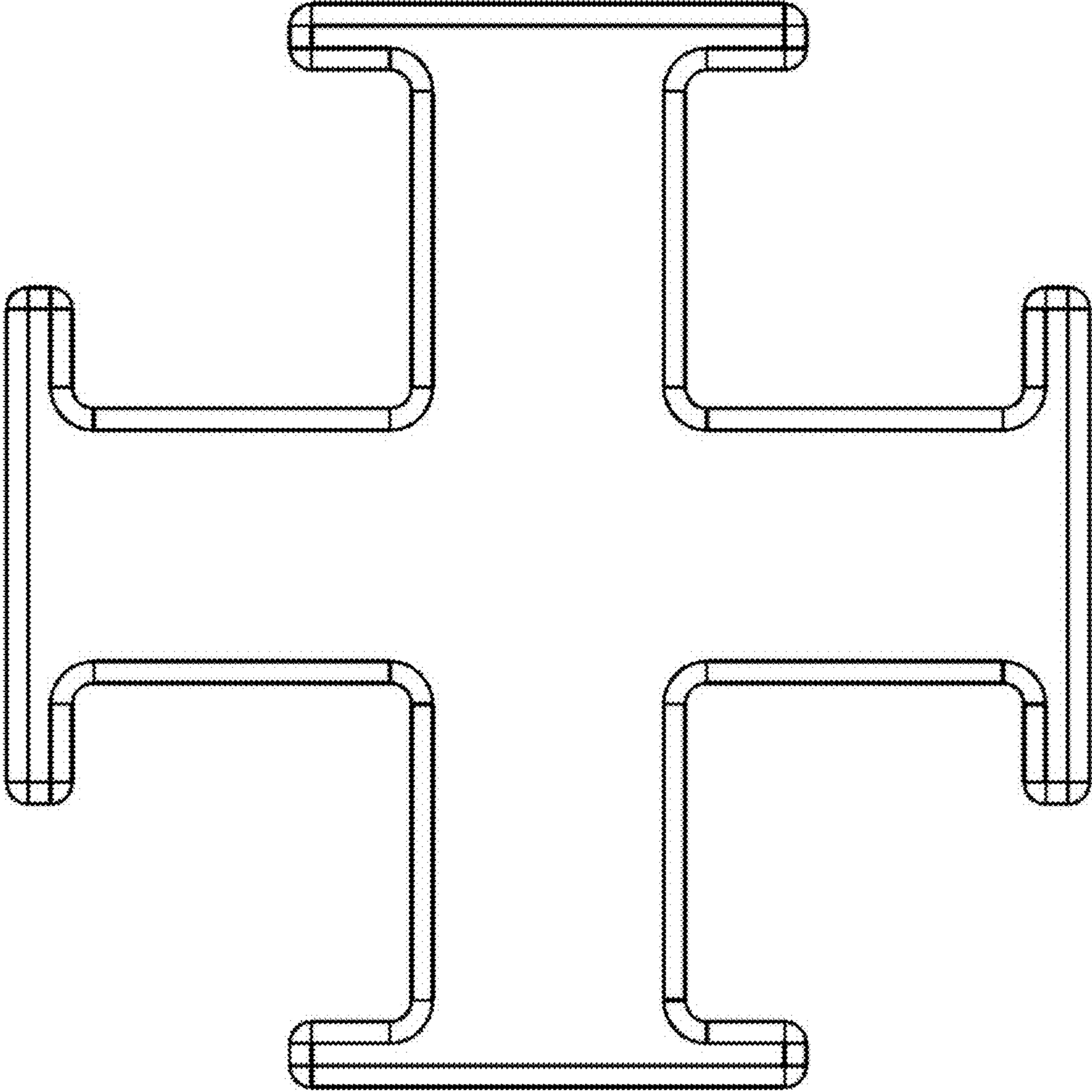
D691,287 S * 10/2013 Nanayakkara D25/115
D691,288 S * 10/2013 Nanayakkara D25/115
8,678,704 B1 * 3/2014 Smith E02B 3/14
405/16
D710,193 S * 8/2014 Akana D9/418
D725,748 S * 3/2015 Lake D23/259
D772,431 S * 11/2016 Walsh D25/113
D773,414 S * 12/2016 Hoffman D13/183
D790,638 S * 6/2017 Kuo D21/504
2002/0078513 A1 * 6/2002 Schouest B60P 1/43
14/69.5
2006/0123732 A1 * 6/2006 Takayanagi E04B 2/08
52/604
2010/0303555 A1 * 12/2010 Herse E04C 1/395
405/286
2014/0119831 A1 * 5/2014 Hill E02B 3/14
405/16

* cited by examiner

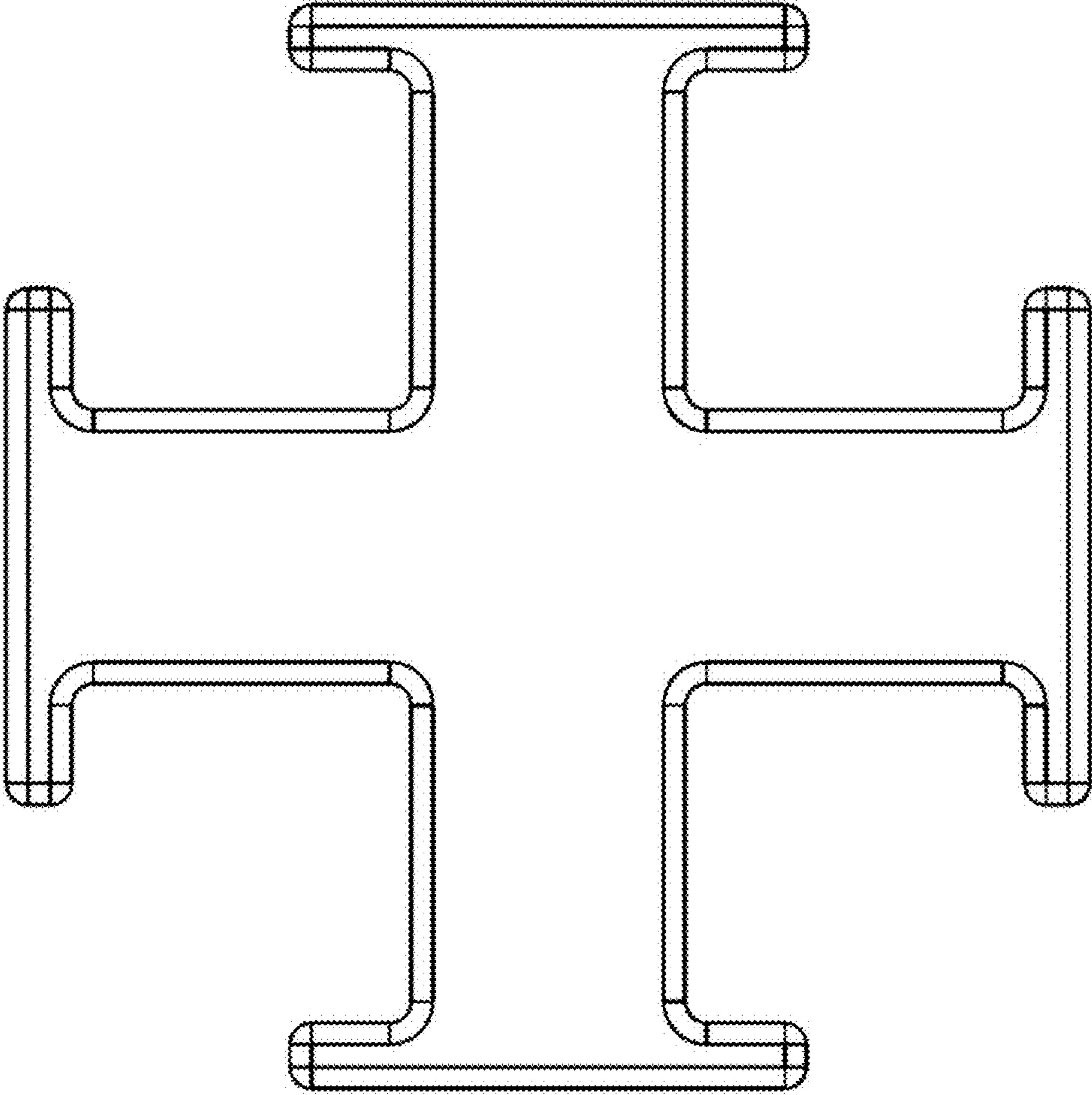
1.1



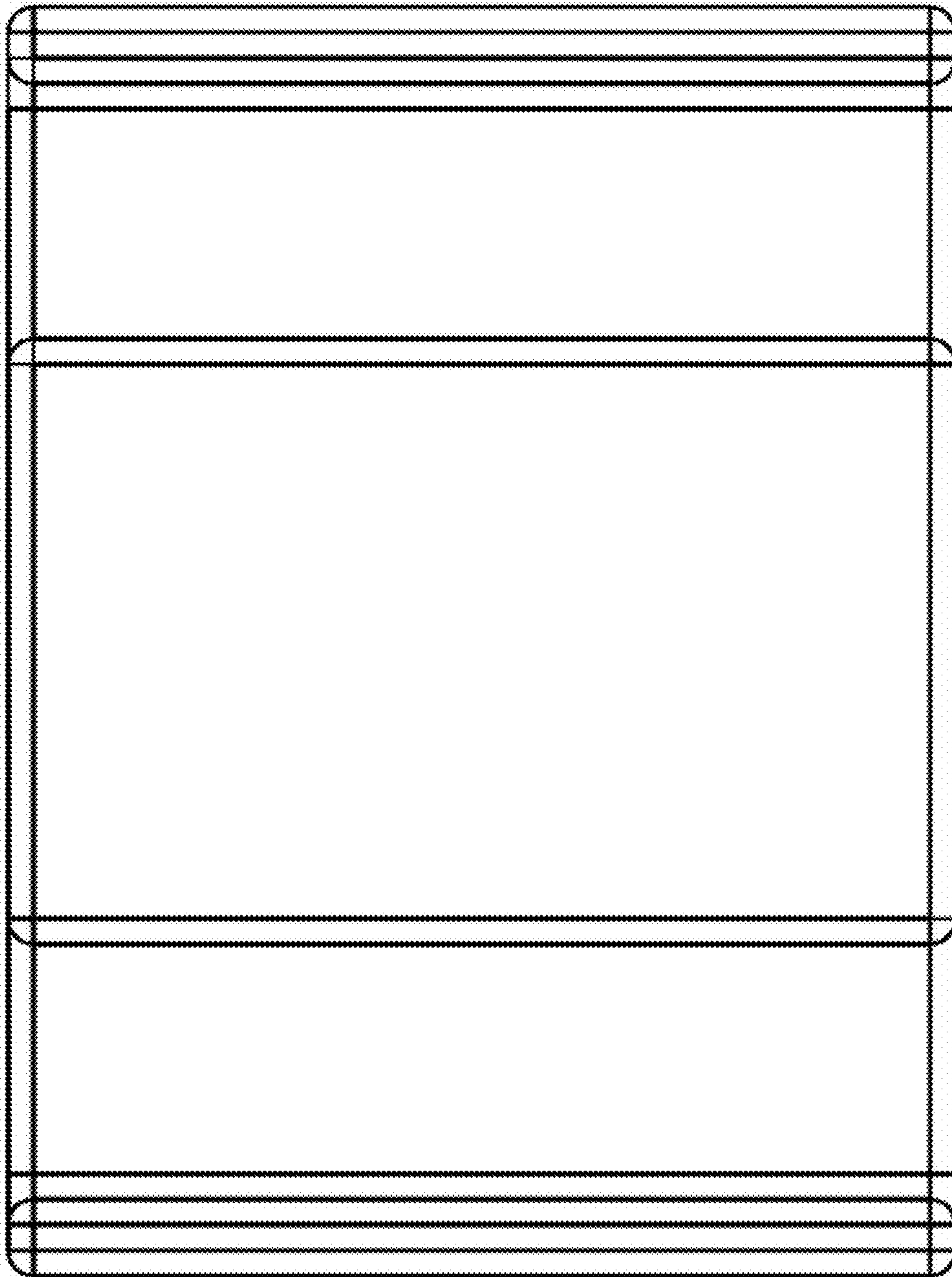
1.2



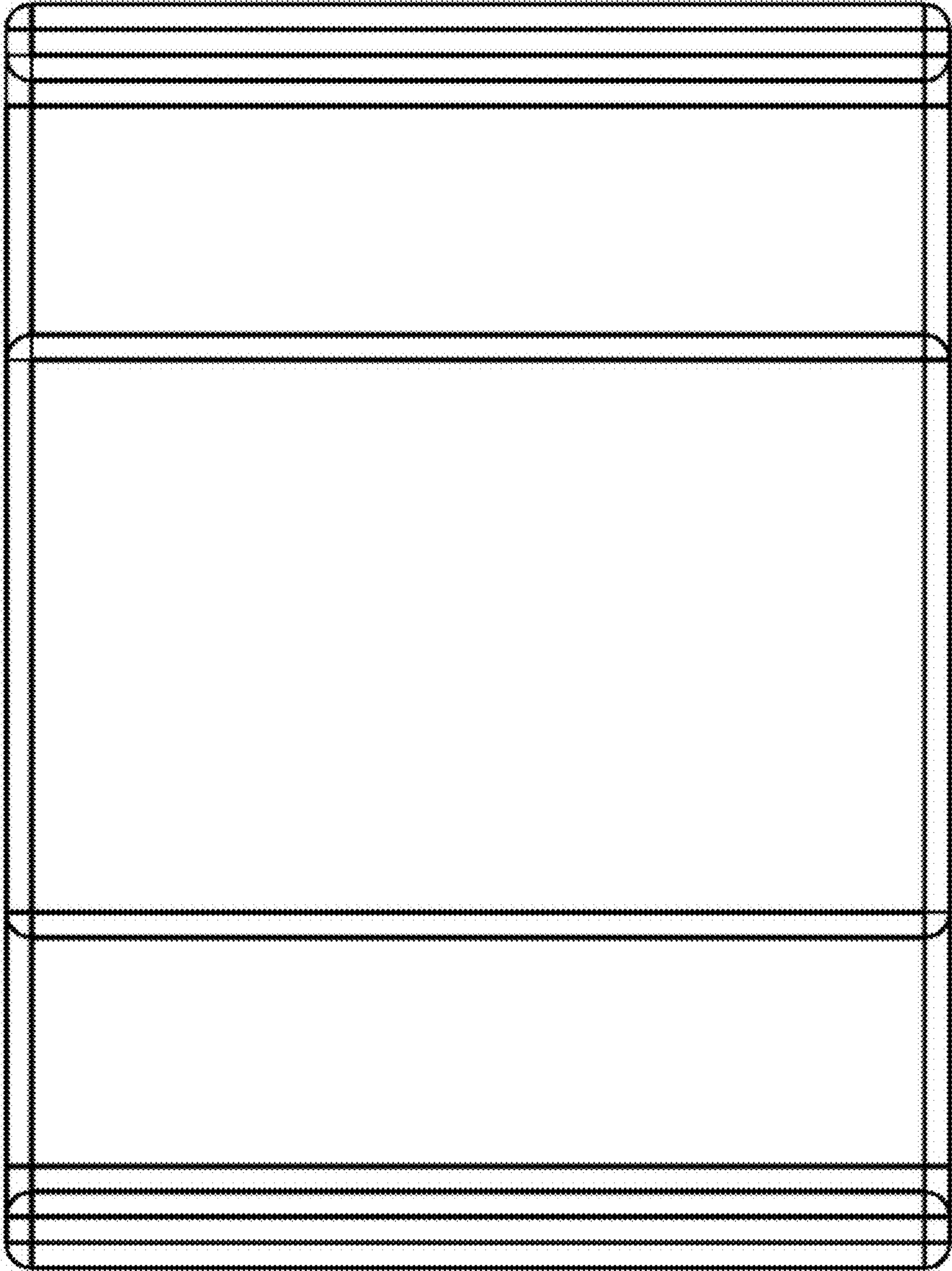
1.3



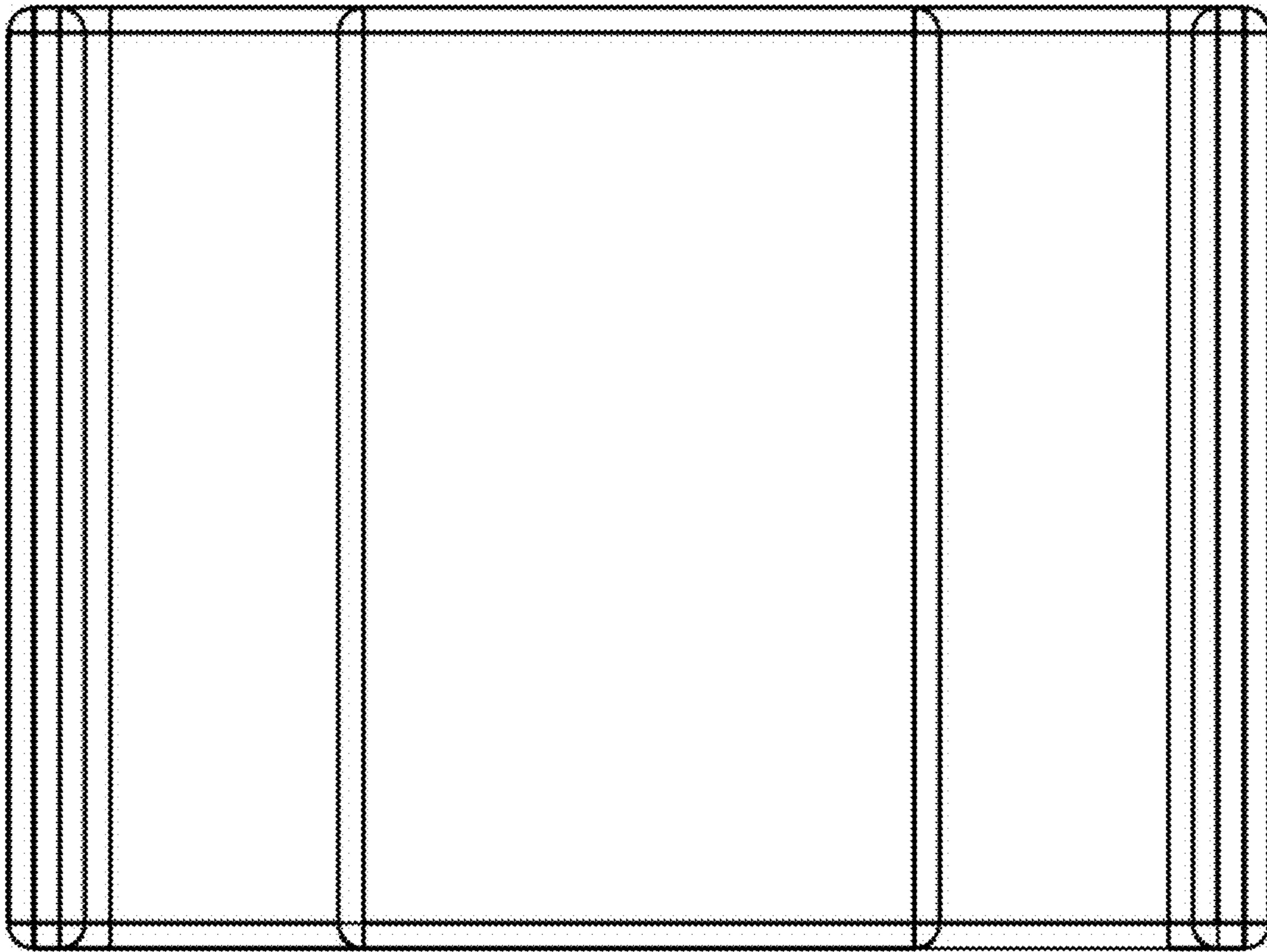
1.4



1.5



1.6



1.7

