



US00D802167S

(12) **United States Design Patent**
Gyetzvai

(10) **Patent No.:** **US D802,167 S**

(45) **Date of Patent:** **** Nov. 7, 2017**

(54) **INSULATION SUPPORT CHANNEL**

2001/2448; E04B 2001/2451; E04B
2001/2454; E04B 2001/2457; E04B
2001/246; E04B 2001/2463

(71) Applicant: **Joseph Gyetzvai**, Continental, OH (US)

See application file for complete search history.

(72) Inventor: **Joseph Gyetzvai**, Continental, OH (US)

(**) Term: **15 Years**

(56) **References Cited**

(21) Appl. No.: **29/547,780**

U.S. PATENT DOCUMENTS

(22) Filed: **Dec. 8, 2015**

(51) **LOC (10) Cl.** **25-02**

(52) **U.S. Cl.**

USPC **D25/119**

(58) **Field of Classification Search**

USPC D25/35, 38.1, 41.1, 43, 44, 47.1, 48.1,
D25/48.2, 48.3, 48.4, 48.7, 55-57, 60, 61,
D25/119-125, 126-137, 164, 199;
D8/349, 354, 380, 381; D12/223, 400

CPC E04C 2003/023; E04C 2003/026; E04C
3/00; E04C 3/005; E04C 3/02; E04C
3/04; E04C 3/12; E04C 3/20; E04C 3/28;
E04C 3/30; E04F 19/02; E04F 19/022;
E04F 19/026; E04F 19/028; E04F 19/04;
E04F 19/0436; E04F 19/0481; E04F
19/0486; E04F 2019/0404; E04F
2019/0413; E04F 2019/0422; E04F
2019/0454; E06B 1/00; E06B 1/006;
E06B 1/02; E06B 1/04; E06B 1/045;
E06B 1/12; E06B 1/34; E06B 1/342;
E06B 1/345; E06B 1/347; E06B 1/36;
E06B 1/363; E06B 1/366; E06B 1/38;
E06B 1/40; E06B 1/52; E06B 1/522;
E06B 1/524; E06B 1/526; E06B 1/528;
E06B 1/56; E06B 1/60; E06B 1/6092;
E06B 1/62; E06B 1/70; E06B 1/702;
E06B 1/705; E06B 1/707; E04B 2/00;
E04B 2/74; E04B 2/76; E04B 2/761;
E04B 2/762; E04B 2/763; E04B 2/764;
E04B 2/765; E04B 2/7854; E04B 2/7863;
E04B 2/7872; E04B 2/7881; E04B 2/789;
E04B 2001/2436; E04B 2001/2439; E04B
2001/2442; E04B 2001/2445; E04B

2,489,054	A	*	11/1949	Sprolle	B65D 71/0092	206/386
3,355,203	A		11/1967	Stauffer			
3,961,454	A		6/1976	Adams			
4,597,702	A		7/1986	Brown			
4,615,162	A		10/1986	Evans			
D296,075	S	*	6/1988	Jones	D8/380	
D342,011	S	*	12/1993	Maguire	D8/349	
D401,211	S	*	11/1998	Simpson	D8/349	
D421,807	S	*	3/2000	Reid	D25/125	

(Continued)

FOREIGN PATENT DOCUMENTS

WO 2006027115 A1 3/2006

Primary Examiner — Cynthia Ramirez

Assistant Examiner — Llorellys Martinez-Rivera

(57) **CLAIM**

I claim the ornamental design for an insulation support channel, as shown and described.

DESCRIPTION

FIG. 1 is a front elevation view of an insulation support channel showing my new design.

FIG. 2 is a side elevation view thereof.

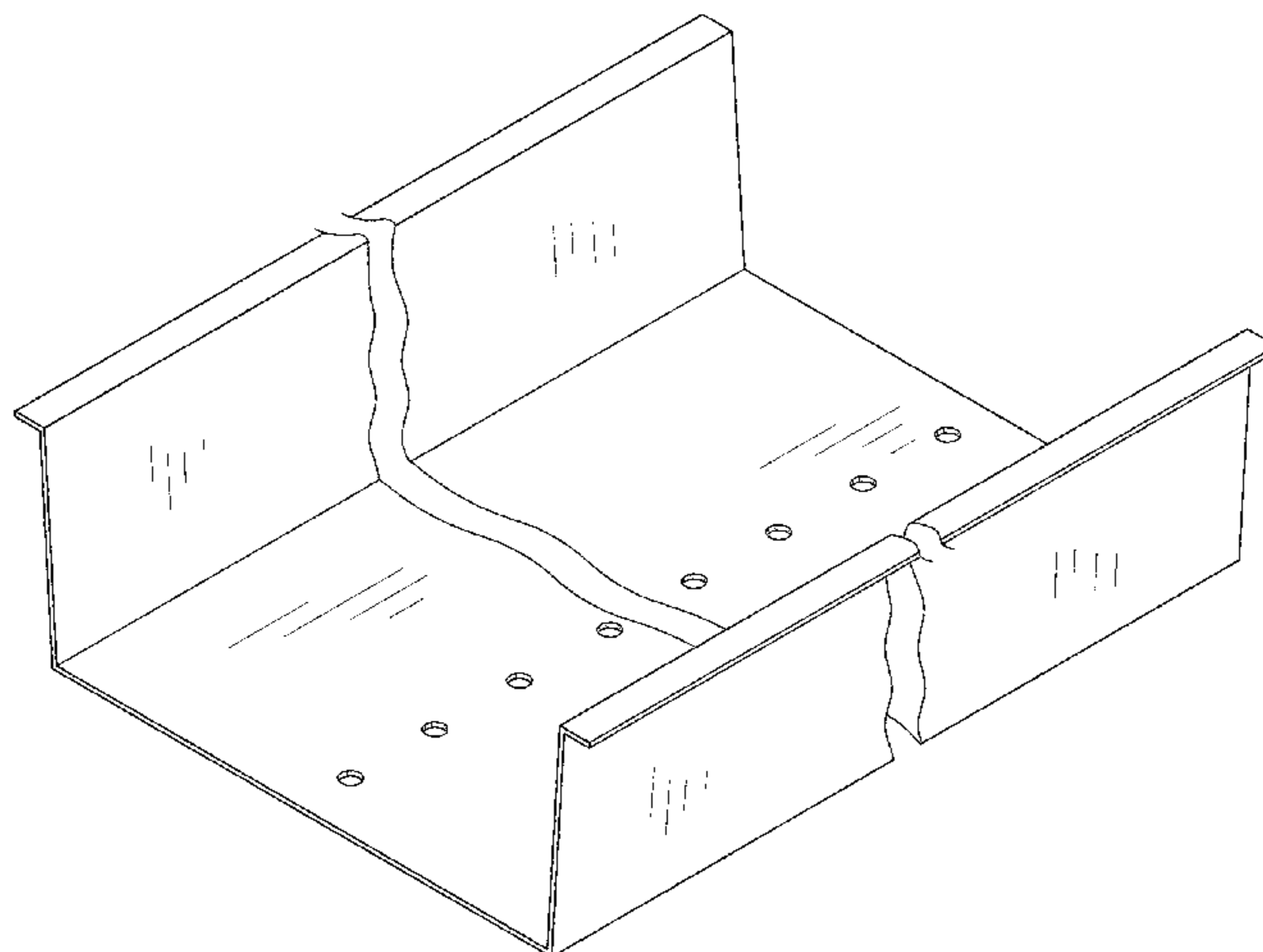
FIG. 3 is a top plan view thereof.

FIG. 4 is a bottom plan view thereof; and,

FIG. 5 is a perspective view thereof.

The insulation support channel is shown with a symbolic break in its length. The appearance of any portion of the insulation support channel between the break lines forms no part of the claimed design.

1 Claim, 5 Drawing Sheets



(56)

References Cited

U.S. PATENT DOCUMENTS

D438,448	S *	3/2001	Batting	D8/354
6,360,510	B1 *	3/2002	Woodrum	E04C 3/07 52/481.1
6,487,825	B1	12/2002	Sillik	
D507,665	S *	7/2005	Ryan	D25/119
7,017,315	B2	3/2006	Corwin	
D537,402	S *	2/2007	Smith	D12/223
7,445,400	B2 *	11/2008	Takeuchi	B62D 25/20 403/292
D582,569	S *	12/2008	Moreau	D25/119
D605,102	S *	12/2009	Peschmann	D12/223
7,963,492	B2 *	6/2011	Nevins	F28F 9/007 165/67
D644,339	S *	8/2011	Sutton	D25/121
D653,592	S	2/2012	Brown	
D661,819	S *	6/2012	Rider	D25/119
D732,373	S *	6/2015	Wagner	D8/349
D736,414	S *	8/2015	Sparks	D25/121
D742,543	S *	11/2015	Singh	D25/119
D767,166	S *	9/2016	Sparks	D25/121
D782,289	S *	3/2017	Darby	D8/354
D782,709	S *	3/2017	Quintile	D25/164
2005/0102969	A1 *	5/2005	Burg	E04B 2/7457 52/782.1
2007/0063118	A1 *	3/2007	Owens	A47C 13/005 248/300
2007/0193202	A1 *	8/2007	Rice	E04C 3/07 52/481.1

* cited by examiner

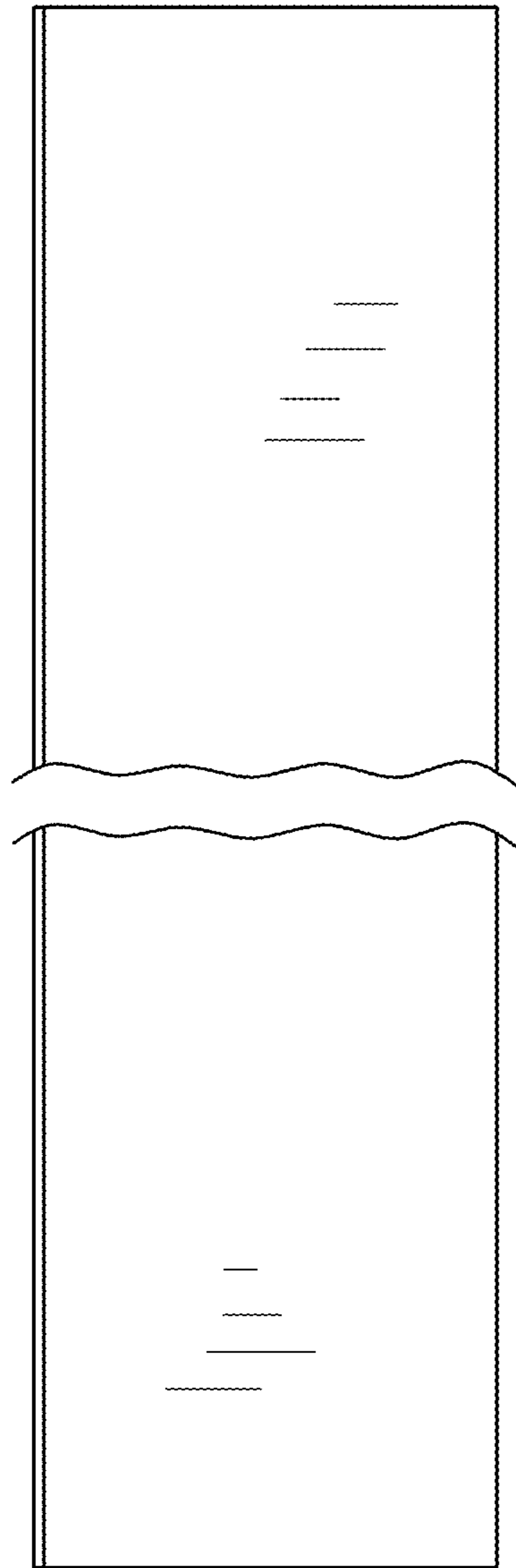


FIG. 1

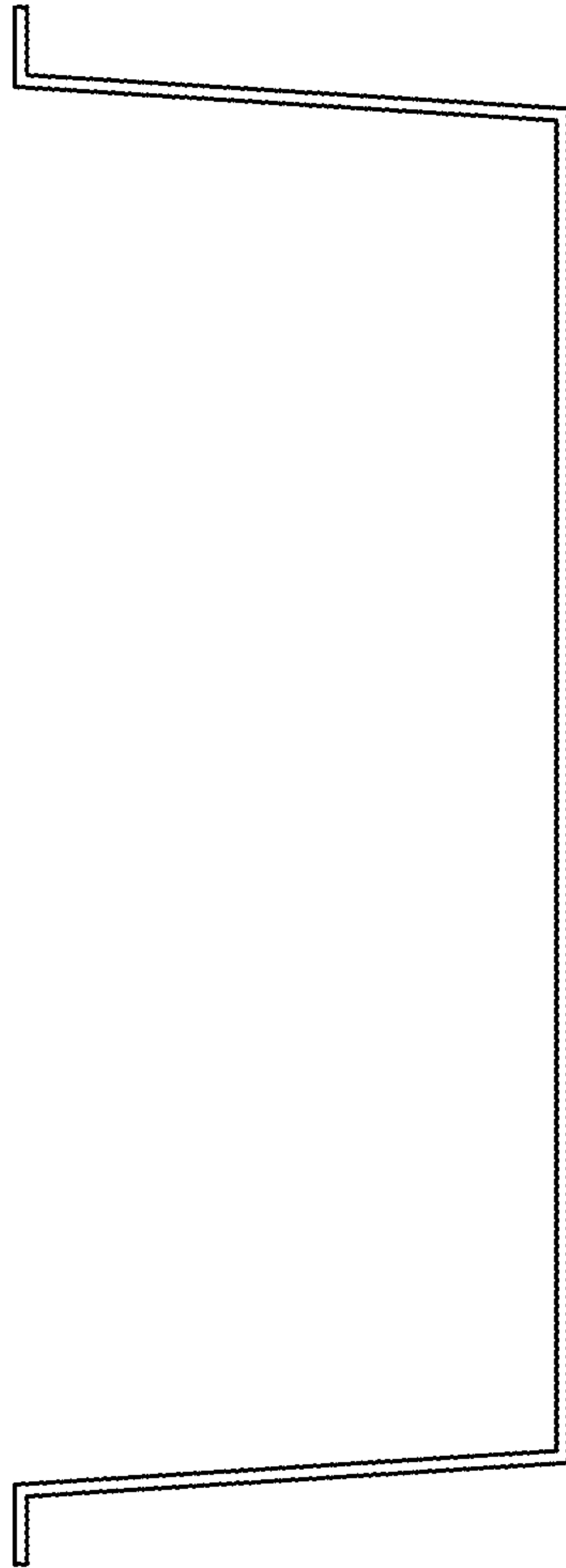


FIG. 2

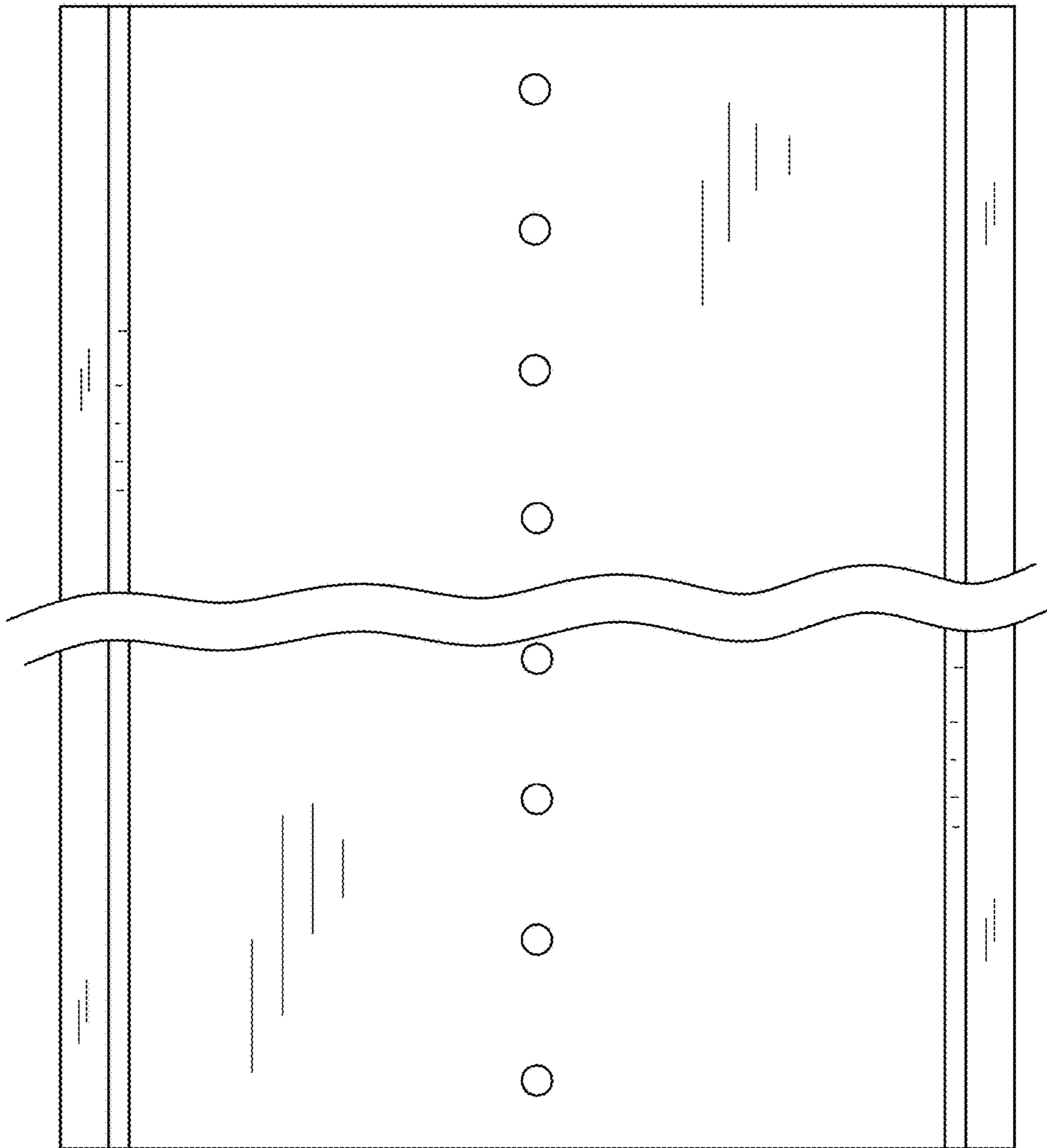


FIG. 3

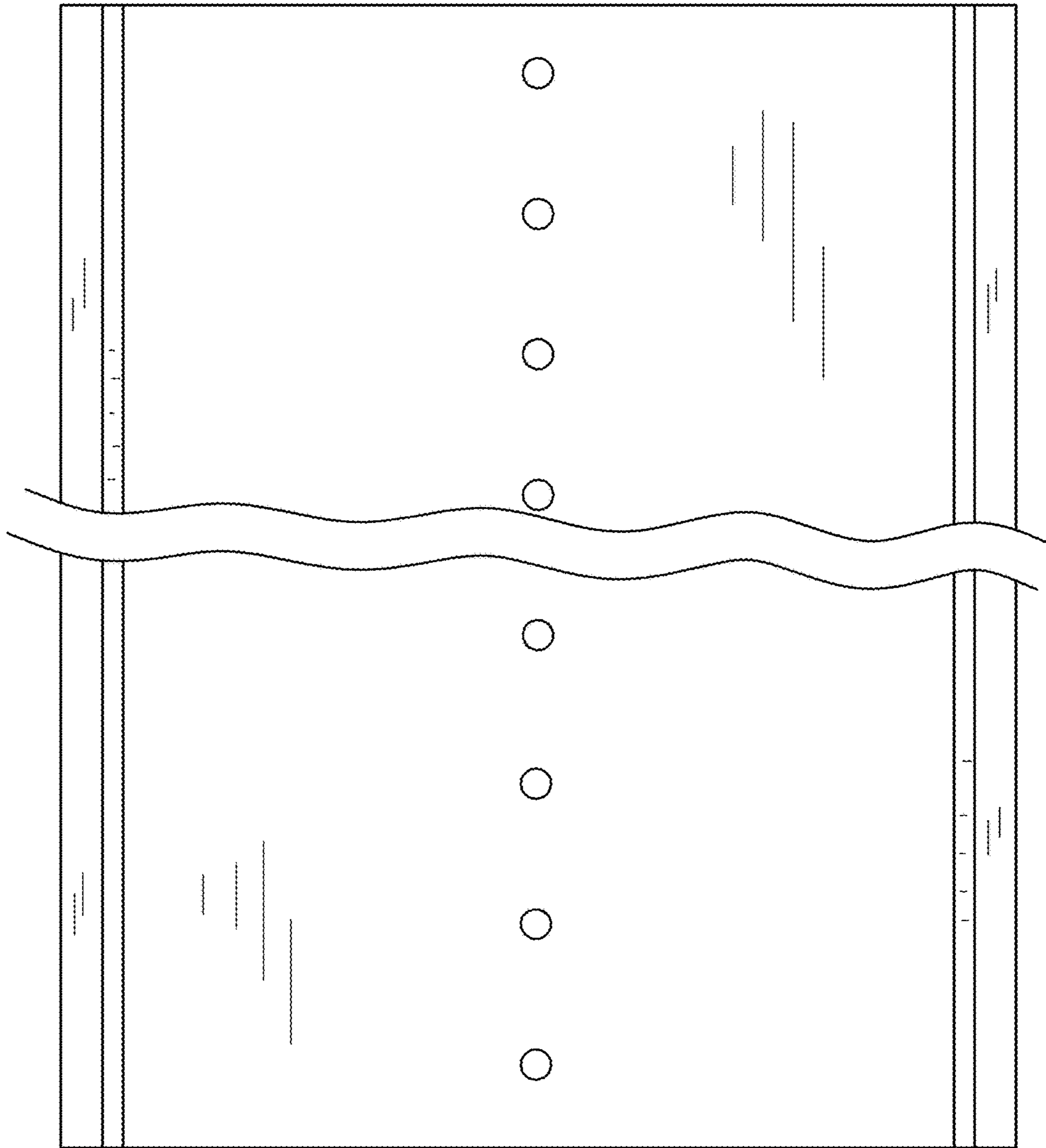


FIG. 4

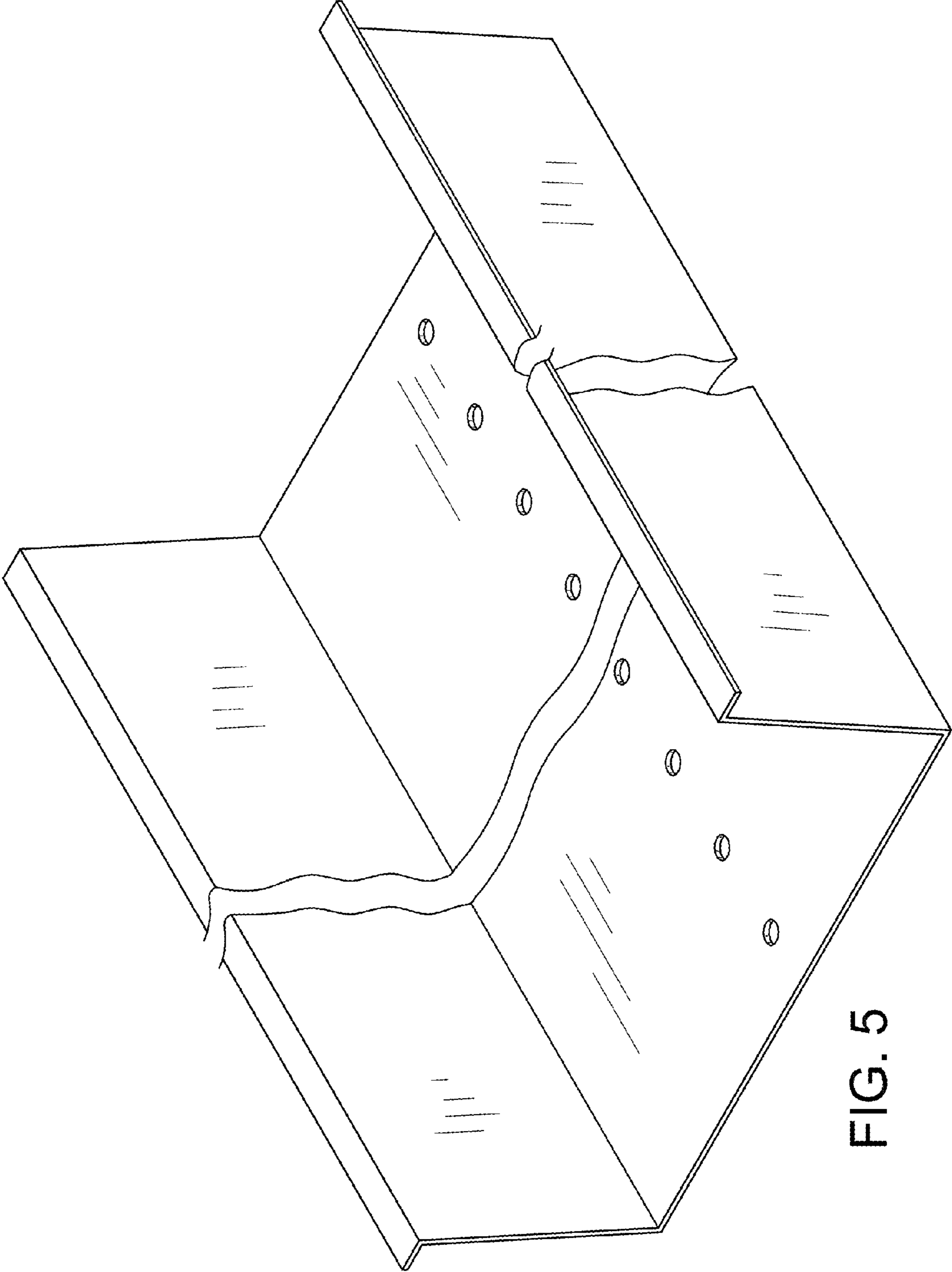


FIG. 5