

US00D802165S

(12) **United States Design Patent**
von Langsdorff

(10) **Patent No.:** **US D802,165 S**

(45) **Date of Patent:** **** Nov. 7, 2017**

(54) **PAVING STONE**

(71) Applicant: **F. von Langsdorff Licensing Limited**,
Caledon (CA)

(72) Inventor: **Harald von Langsdorff**, Caledon (CA)

(73) Assignee: **F. von Langsdorff Licensing Limited**,
Caledon (CA)

(**) Term: **15 Years**

(21) Appl. No.: **29/569,588**

(22) Filed: **Jun. 29, 2016**

Related U.S. Application Data

(62) Division of application No. 29/475,696, filed on Dec. 5, 2013, now Pat. No. Des. 762,882.

(51) **LOC (10) Cl.** **25-01**

(52) **U.S. Cl.**
USPC **D25/113**

(58) **Field of Classification Search**
USPC D21/108, 484-491, 499-504;
D25/112-118, 152, 164

(Continued)

(56) **References Cited**

U.S. PATENT DOCUMENTS

1,862,246 A * 6/1932 Ticehurst F27D 1/04
52/603

3,464,328 A * 9/1969 Meijden E01C 5/00
404/41

(Continued)

Primary Examiner — Eric Goodman
Assistant Examiner — Amy Wierenga

(74) *Attorney, Agent, or Firm* — Santosh K. Chari; Blake, Cassels & Graydon LLP

(57) **CLAIM**

The ornamental design for a paving stone, substantially as shown and described.

DESCRIPTION

FIG. 1 is a top perspective view of the paving stone according to a first embodiment of the design;

FIG. 2 is a top view of the paving stone shown in FIG. 1; FIG. 3 is a left side view of the paving stone shown in FIG. 1;

FIG. 4 is a rear view of the paving stone shown in FIG. 1; FIG. 5 is a front view of the paving stone shown in FIG. 1; and

FIG. 6 is a right side of the paving stone shown in FIG. 1. FIG. 7 is a top perspective view of the paving stone according to a second embodiment of the design;

FIG. 8 is a top view of the paving stone shown in FIG. 7; FIG. 9 is a left side view of the paving stone shown in FIG. 7;

FIG. 10 is a rear view of the paving stone shown in FIG. 7; FIG. 11 is a front view of the paving stone shown in FIG. 7; and

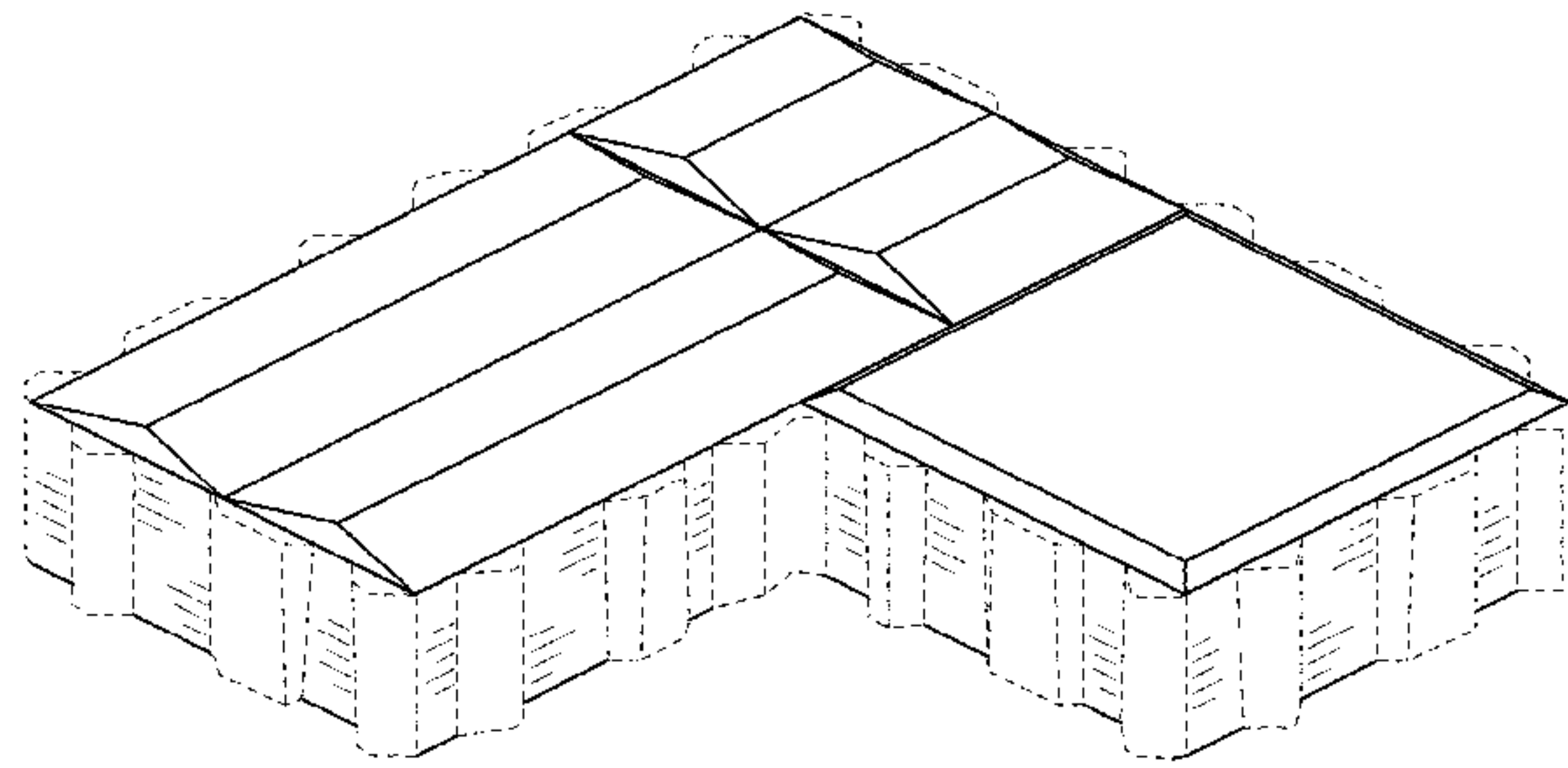
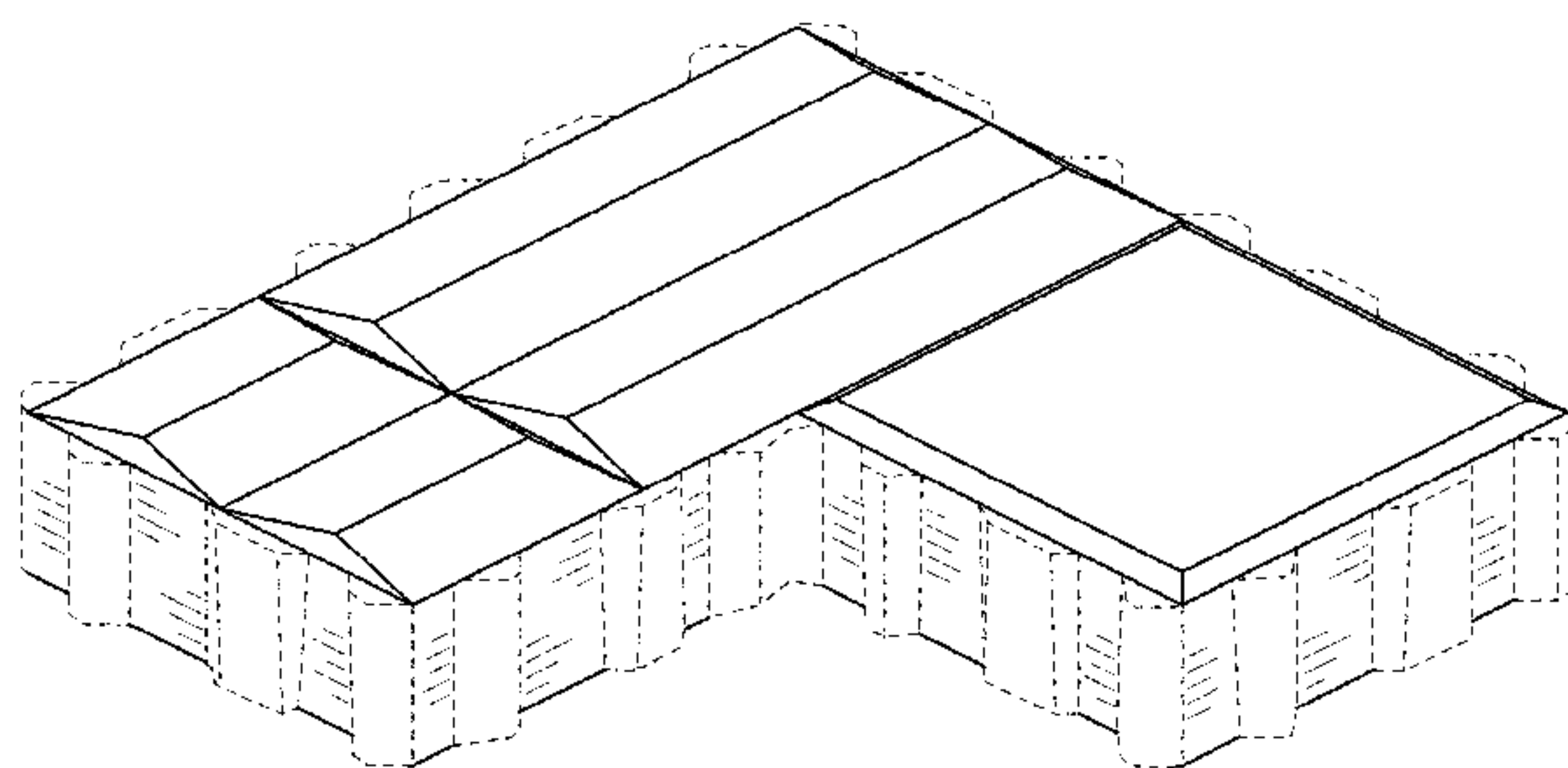
FIG. 12 is a right side of the paving stone shown in FIG. 7. FIG. 13 is a top perspective view of the paving stone according to a third embodiment of the design;

FIG. 14 is a top view of the paving stone shown in FIG. 13; FIG. 15 is a left side view of the paving stone shown in FIG. 13;

FIG. 16 is a rear view of the paving stone shown in FIG. 13; FIG. 17 is a front view of the paving stone shown in FIG. 13; and,

FIG. 18 is a right side of the paving stone shown in FIG. 13. The broken lines depict portions of the paving stone that form no part of the claim. In particular, the ribs shown in broken lines on the sides of the paving stone form no part of the claim.

1 Claim, 6 Drawing Sheets



(58) **Field of Classification Search**

CPC C04B 18/023; C04B 14/10; C04B 28/02;
E01C 9/004; E01C 5/06; A63H 33/04;
E04B 1/02; E04C 1/395

See application file for complete search history.

(56) **References Cited**

U.S. PATENT DOCUMENTS

D262,742	S *	1/1982	Vesterholt	D25/113
D389,926	S *	1/1998	Barth	D25/113
5,902,069	A	5/1999	Barth et al.	
D485,370	S	1/2004	Schmitz et al.	
D498,543	S	11/2004	Schmitz et al.	
6,857,244	B2	2/2005	Schmitz	
D511,012	S *	10/2005	Von Langsdorff	D25/113
7,850,394	B2	12/2010	Schroder	
8,500,362	B2 *	8/2013	Steffen	E01C 5/00 404/34
D689,624	S *	9/2013	Pacitto	D25/113
D701,619	S *	3/2014	Pacitto	D25/113
D704,859	S *	5/2014	Gleason	D25/113
D735,890	S *	8/2015	Gleason	D25/113
D737,465	S *	8/2015	Strzala	D25/113
D737,467	S *	8/2015	Thomassen	D25/113
9,315,950	B2 *	4/2016	Browning	E01C 5/06
D759,843	S *	6/2016	Von Langsdorff	D25/113
D762,882	S *	8/2016	von Langsdorff	D25/152
2007/0277471	A1	12/2007	Gibson	
2016/0090705	A1 *	3/2016	Scherkl	E02B 3/14 405/114

* cited by examiner

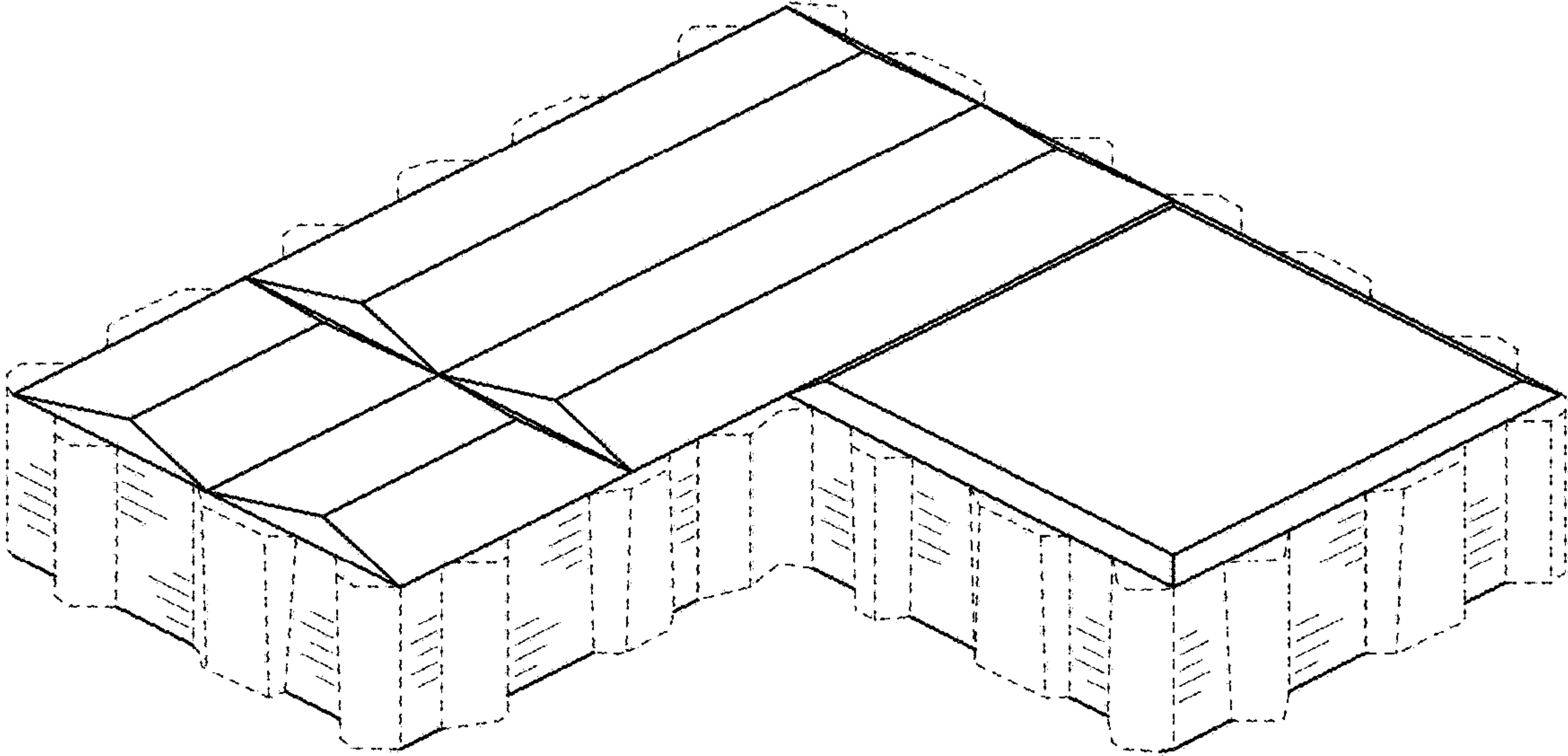


Figure 1

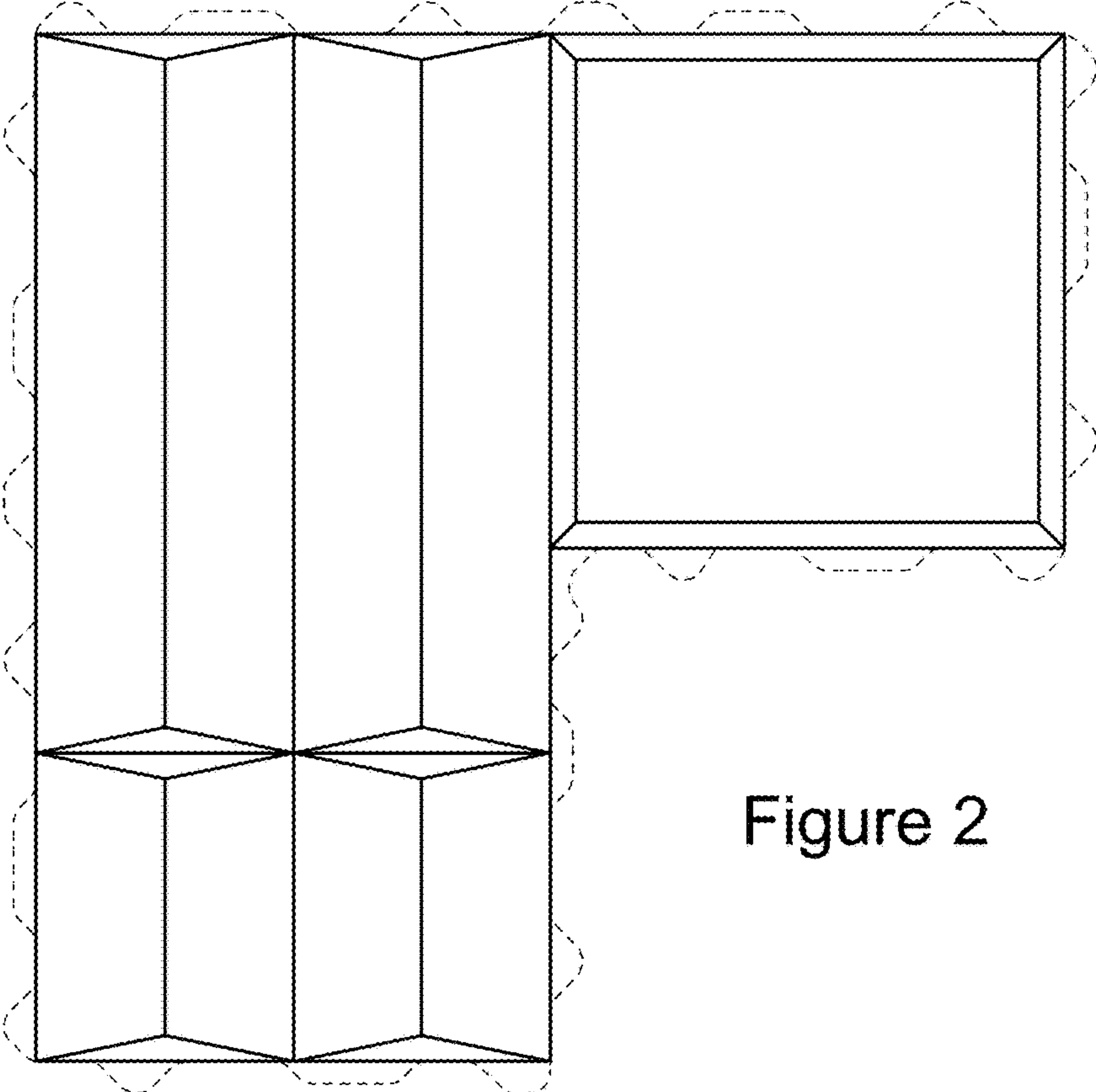


Figure 2

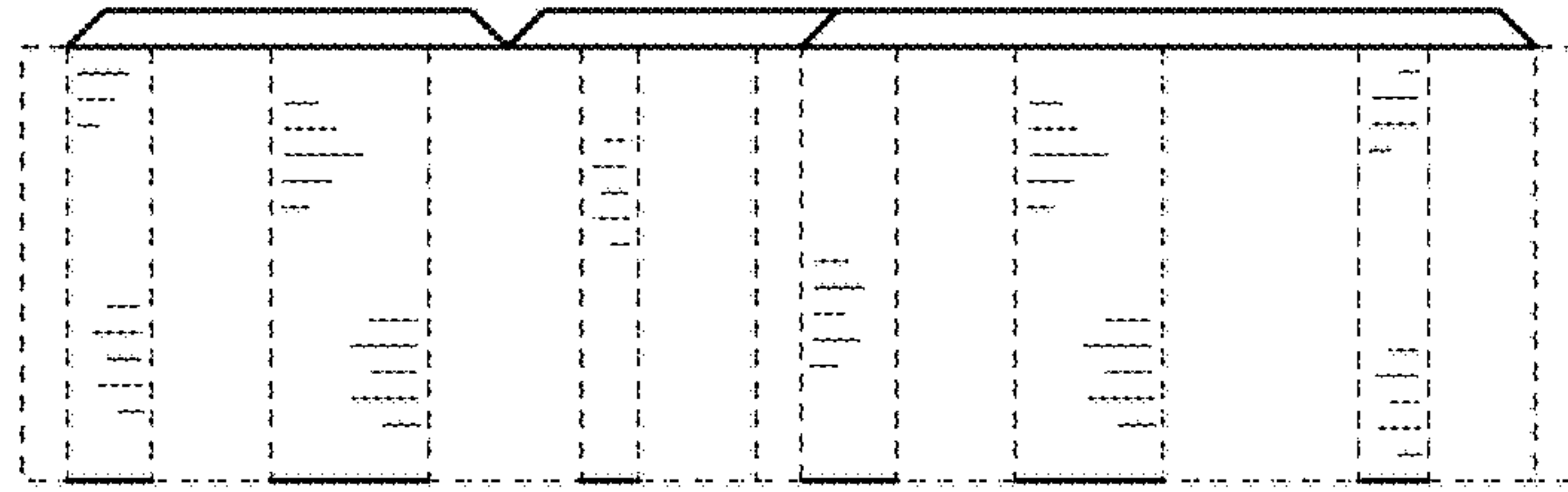


Figure 3

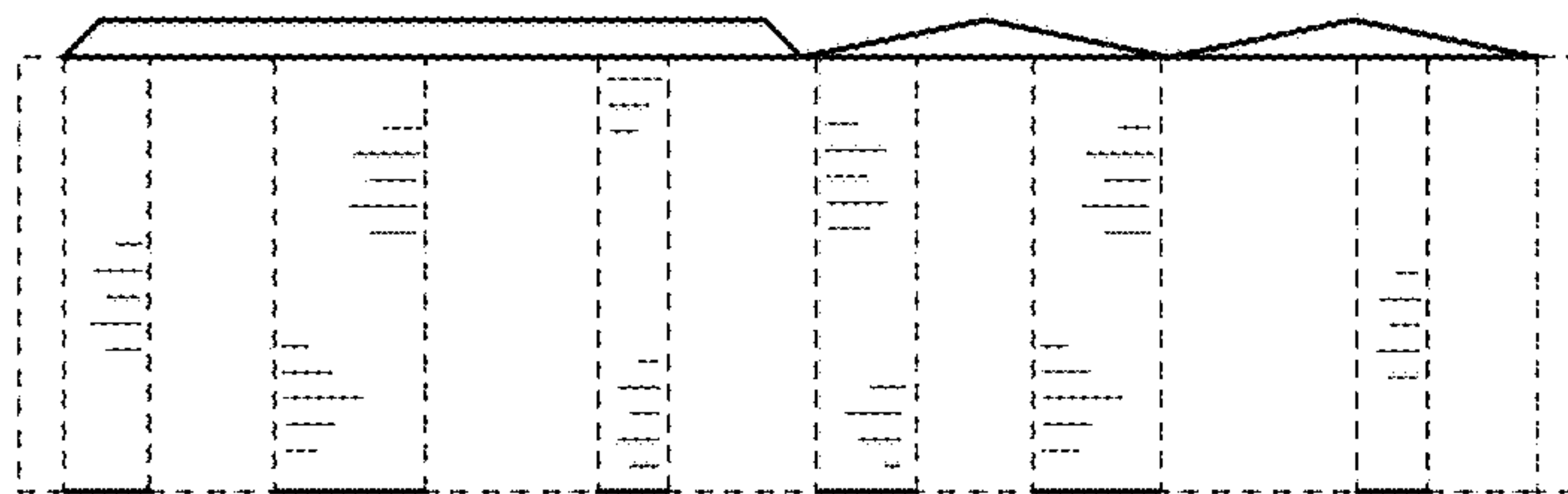


Figure 4

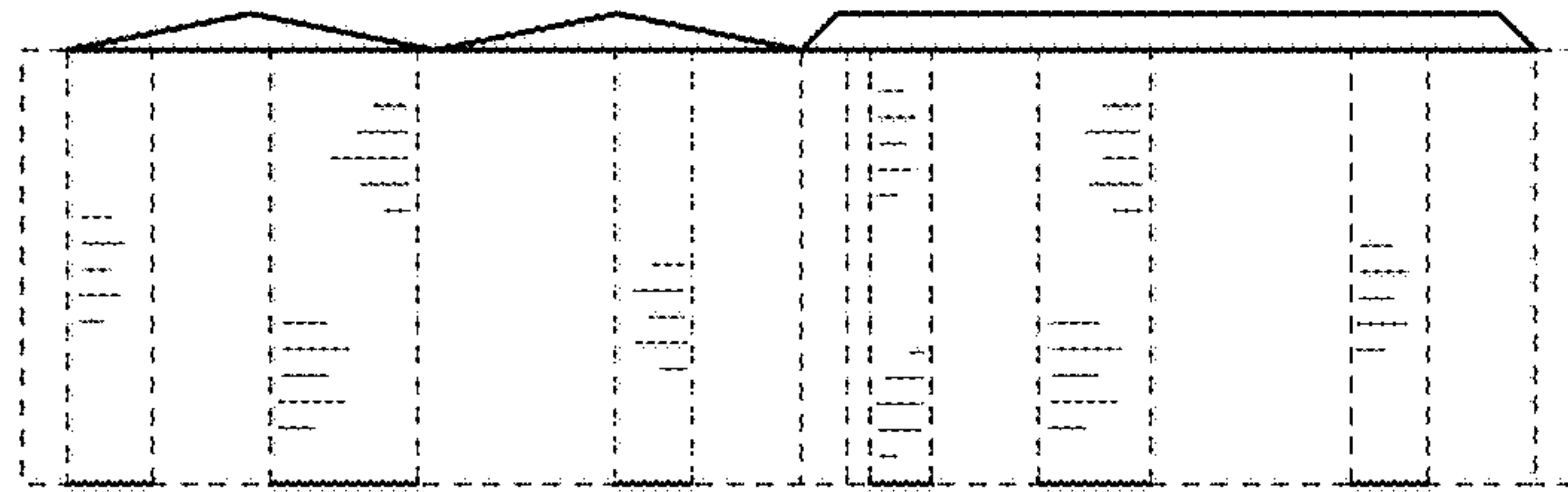


Figure 5

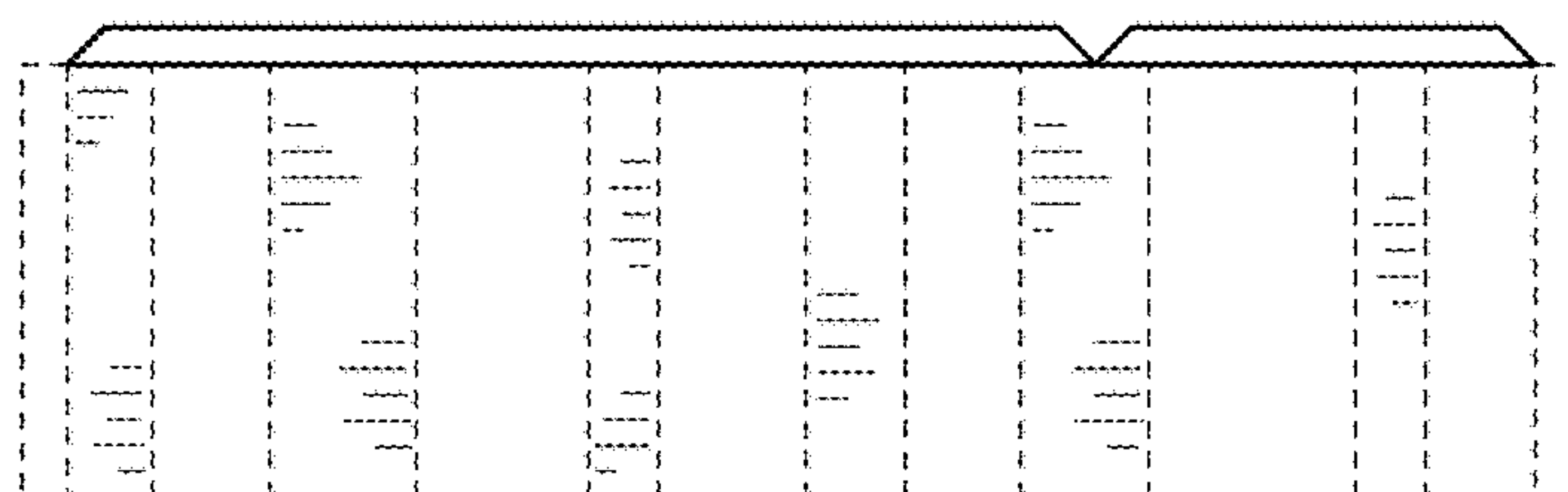


Figure 6

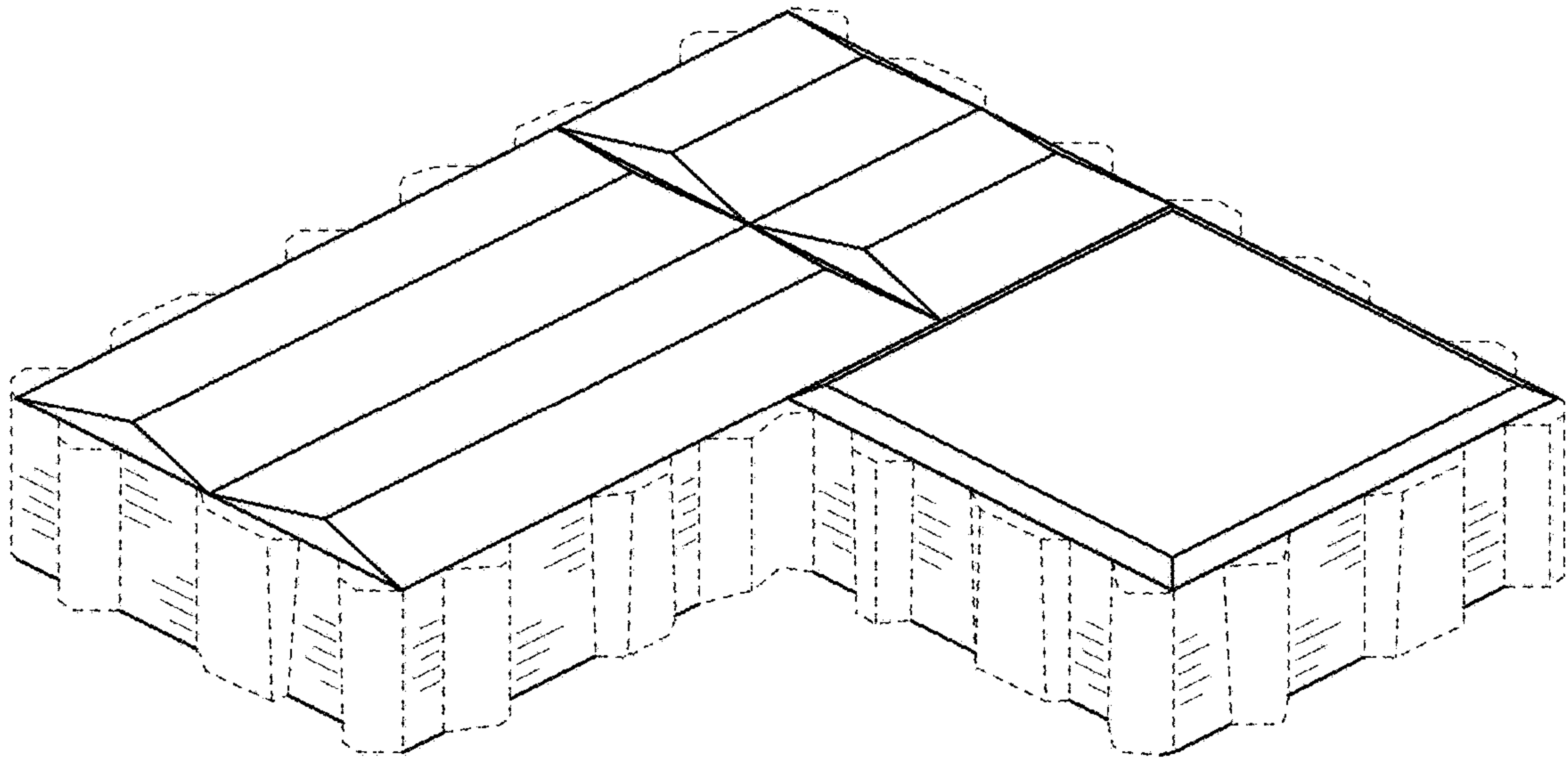


Figure 7

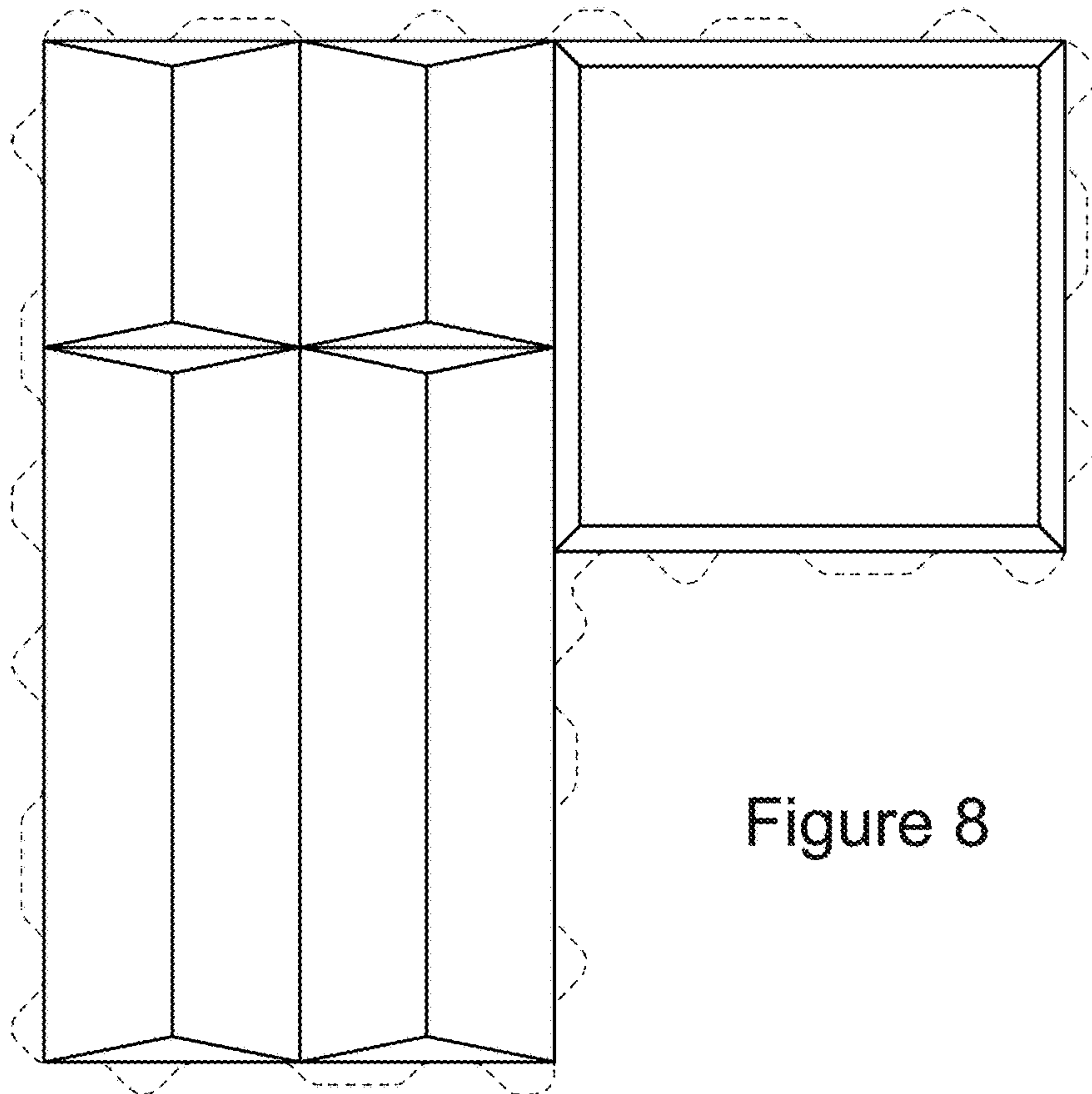


Figure 8

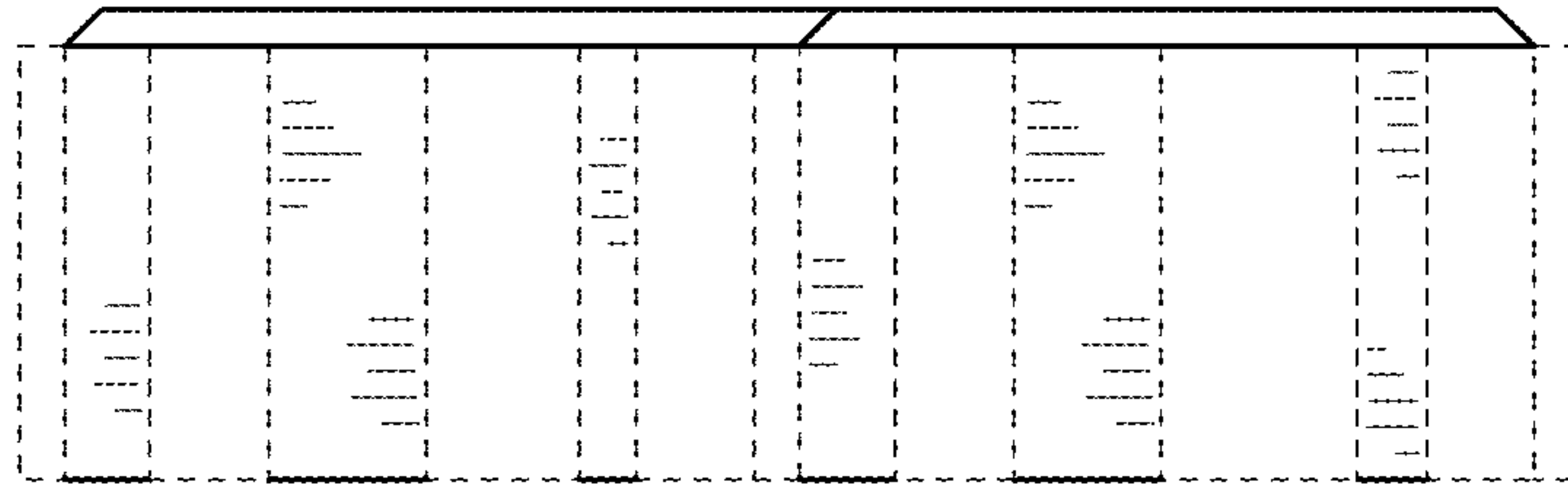


Figure 9

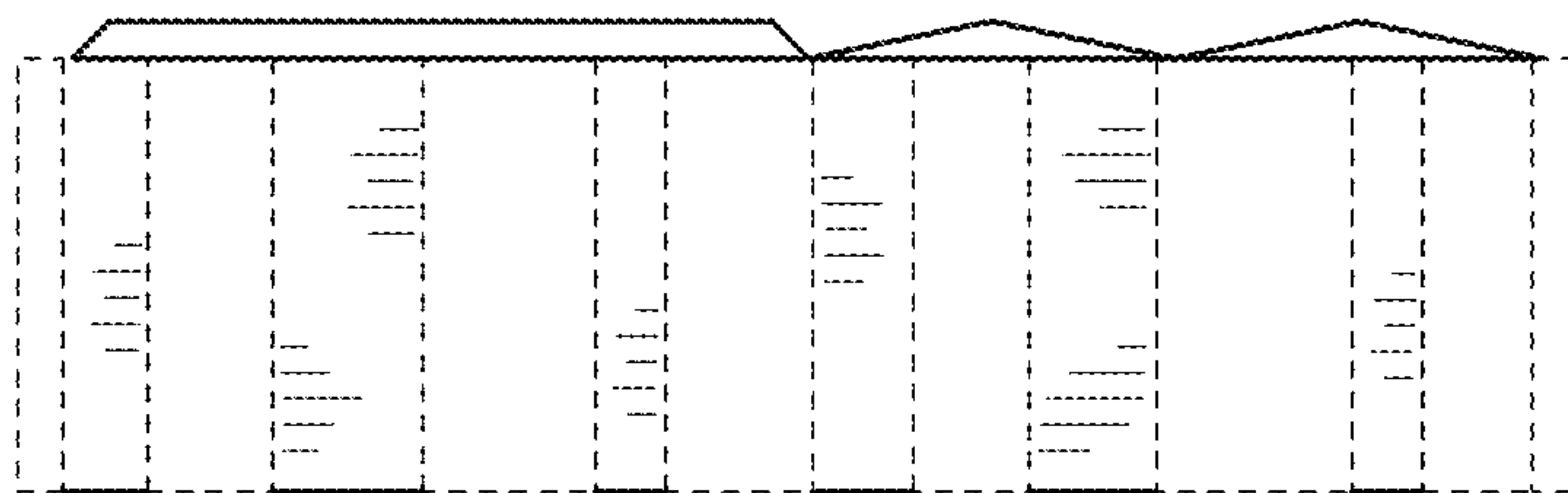


Figure 10

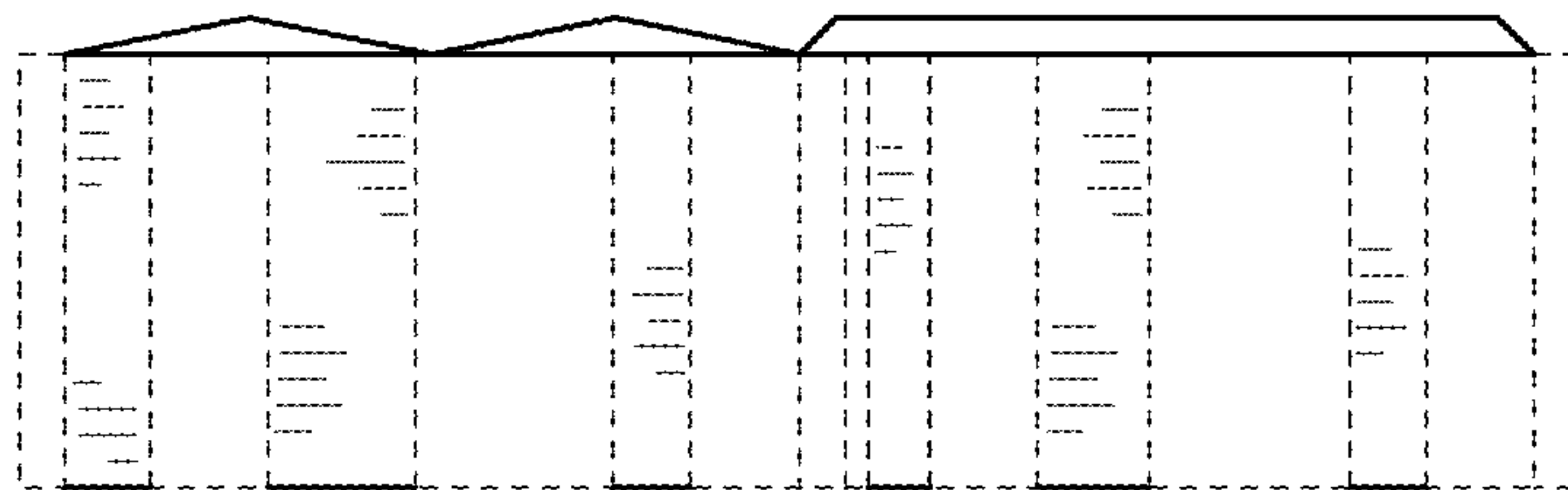


Figure 11

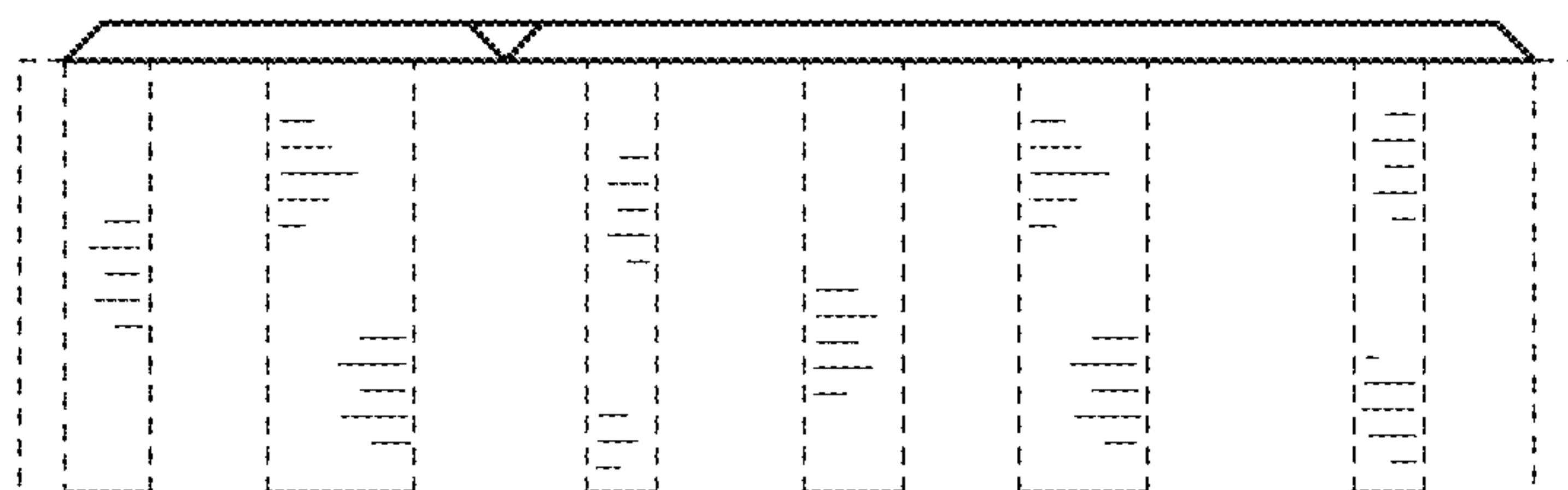


Figure 12

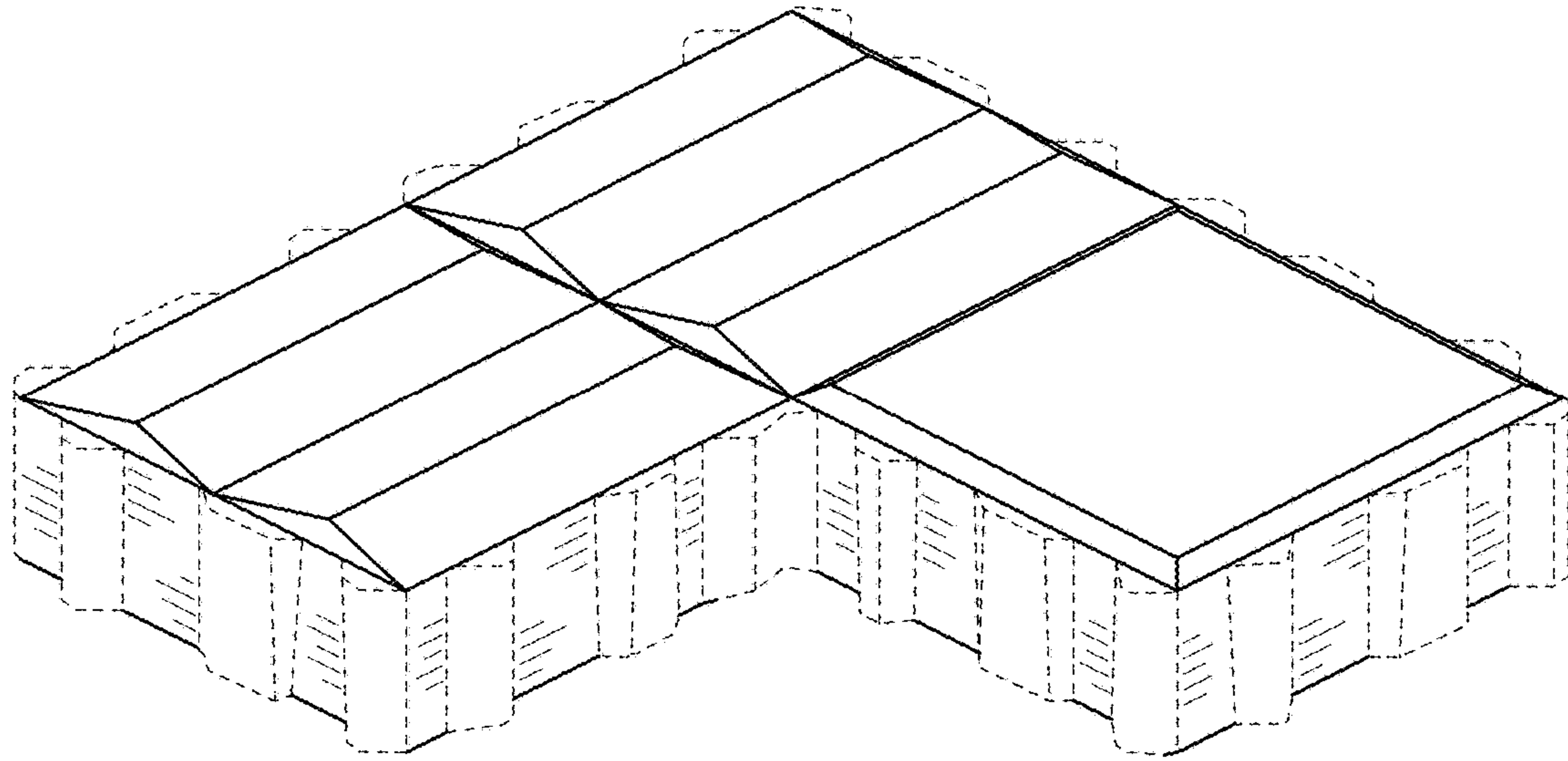


Figure 13

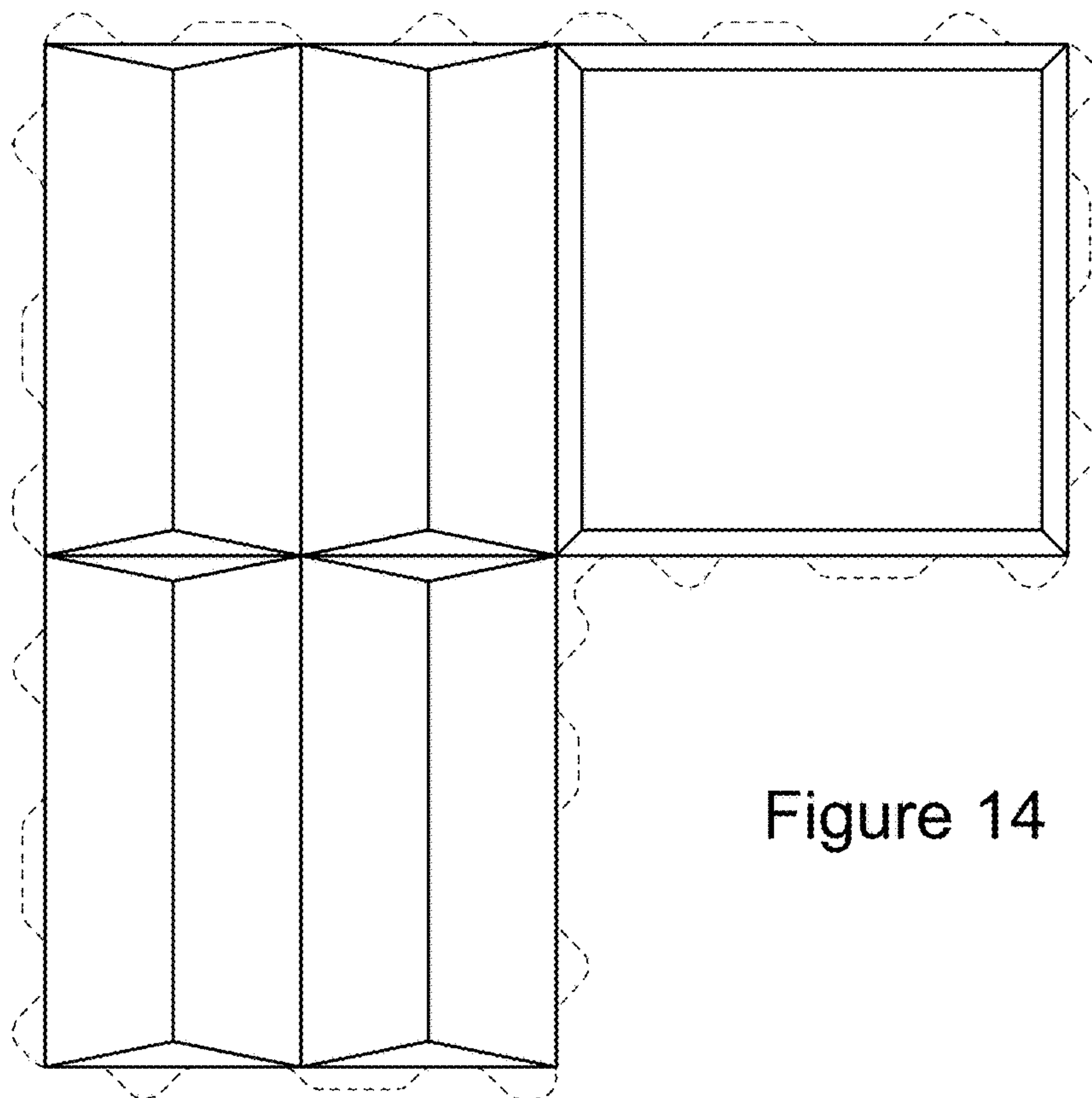


Figure 14

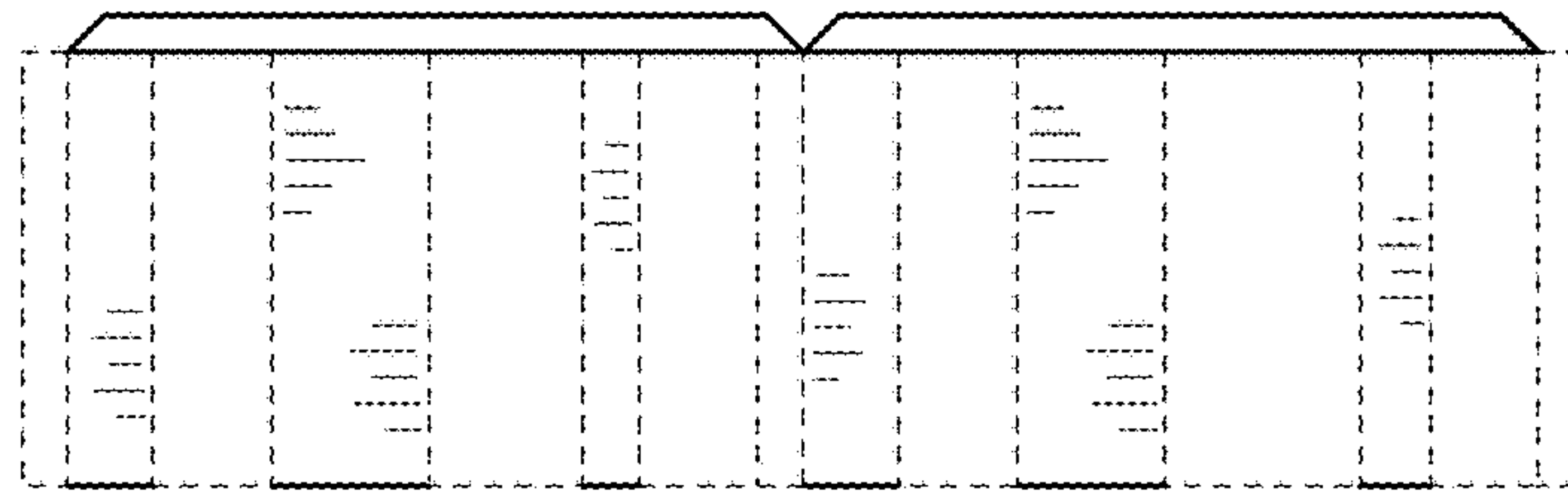


Figure 15

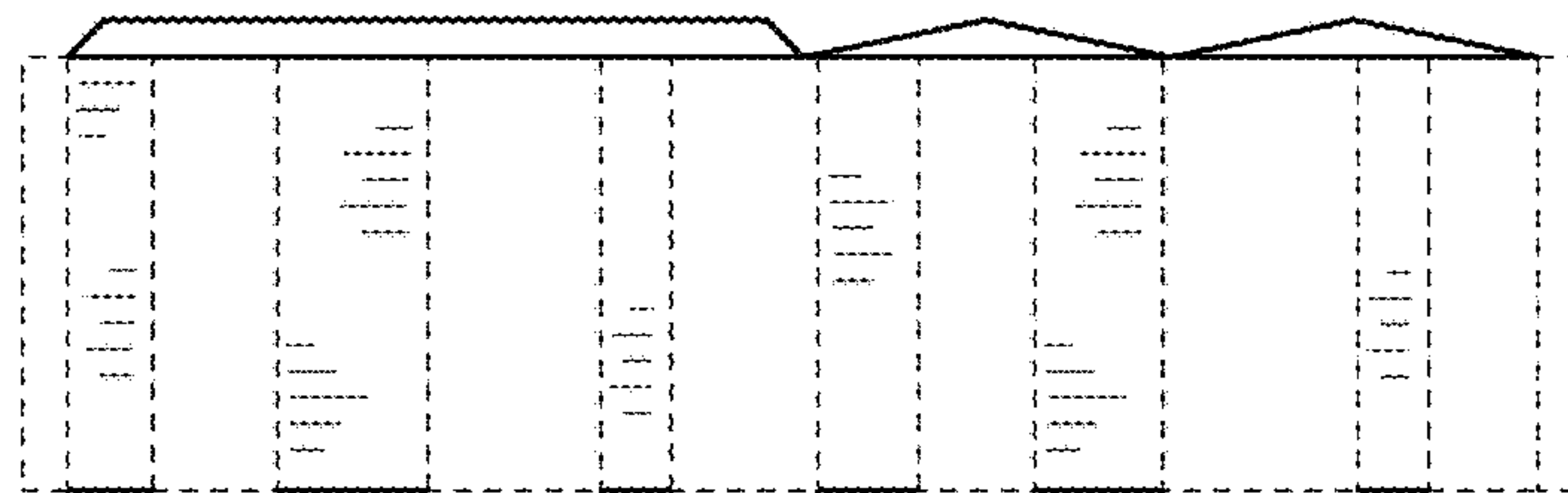


Figure 16

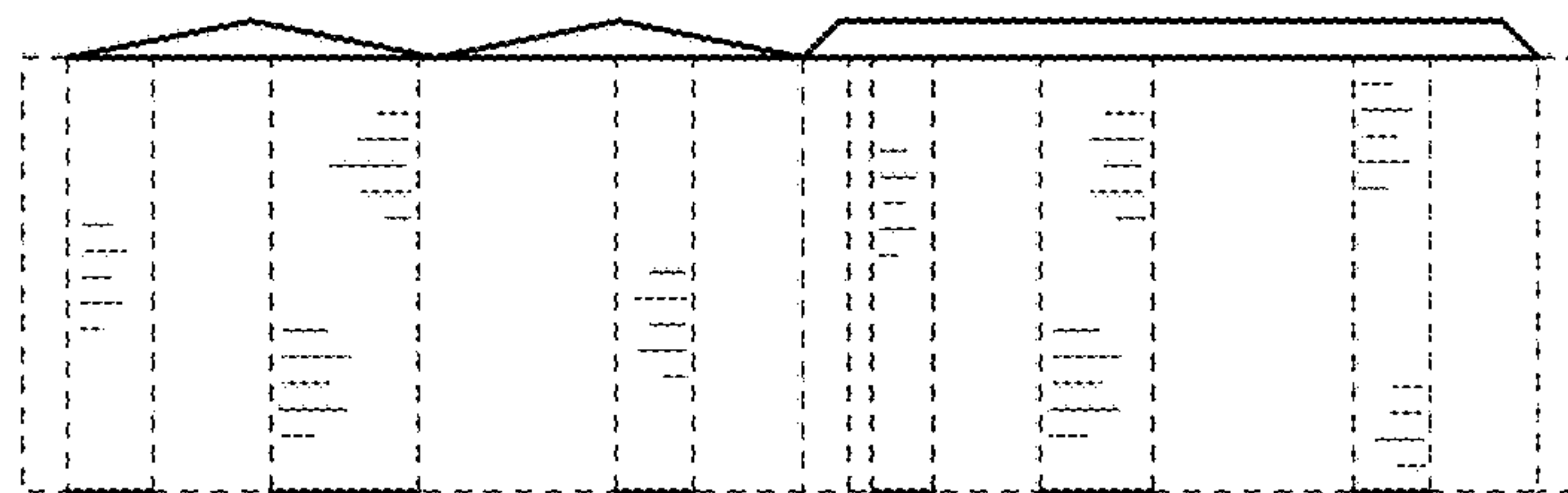


Figure 17

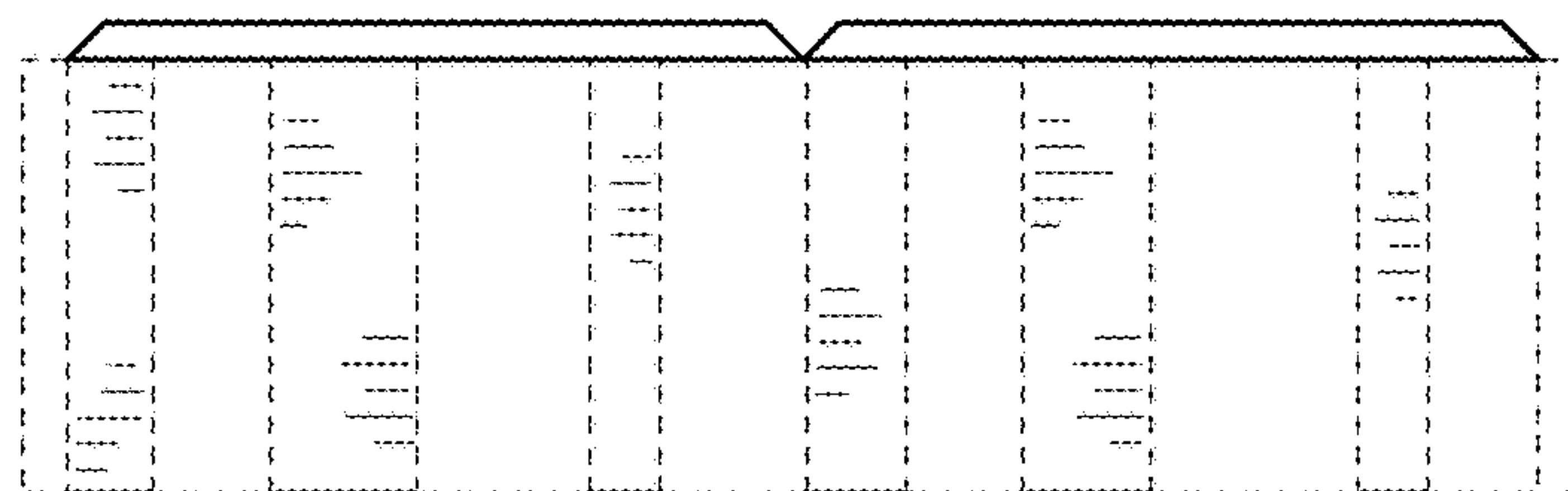


Figure 18