

US00D802164S

(12) **United States Design Patent** (10) **Patent No.:** **US D802,164 S**
Lopez (45) **Date of Patent:** **** *Nov. 7, 2017**

(54) **STAIR LIP PROTECTOR**
(71) Applicant: **Fred Lopez**, Mission Viejo, CA (US)
(72) Inventor: **Fred Lopez**, Mission Viejo, CA (US)
(*) Notice: This patent is subject to a terminal disclaimer.
(**) Term: **14 Years**
(21) Appl. No.: **29/525,164**
(22) Filed: **Apr. 27, 2015**
(51) **LOC (10) Cl.** **25-04**
(52) **U.S. Cl.**
USPC **D25/68**
(58) **Field of Classification Search**
USPC D25/62-69, 136, 102, 119, 121, 199,
D25/164, 58; 52/741.2, 179, 182, 741.3;
182/107, 207, 106, 178.2, 180.1, 156,
182/152, 162, 112, 116, 113, 215, 220,
182/120, 23, 26, 115, 129, 228.2;
D12/203, 89, 314; 108/40, 42, 35, 59,
108/91, 92, 96, 134, 115, 152;
211/87.01, 90.04, 90.02, 119.005, 126.5,
211/134, 40, 41.12, 42, 49.1, 50;
D20/42, 43, 44
CPC E04F 11/163; E04F 11/16; E04F 11/104;
E04F 11/17; E04F 11/166; E04F 19/061;
E04F 19/063; B60R 3/00; B60R 3/02;
B60R 3/007; B66B 23/12
See application file for complete search history.

(56) **References Cited**
U.S. PATENT DOCUMENTS
D30,630 S * 4/1899 Caldwell D25/119
D47,724 S * 8/1915 Heulings D25/121
D47,725 S * 8/1915 Heuling D25/121
D47,726 S * 8/1915 Heulings D25/119
D110,432 S * 7/1938 Lowry D25/119

D157,175 S * 2/1950 Laub D25/119
D158,461 S * 5/1950 Hammerly D25/119
D232,910 S * 9/1974 Duparrex D25/119
D251,508 S * 4/1979 Maricic D25/119
D274,278 S * 6/1984 Haymann D20/44
D276,656 S * 12/1984 Lindstrom D25/119
D300,566 S * 4/1989 Fein D25/119
D324,506 S * 3/1992 Phillips D12/223
D330,431 S * 10/1992 Wang D25/119
D379,237 S * 5/1997 Leonelli D25/119
D448,862 S * 10/2001 Kieffer D25/121
D595,630 S * 7/2009 McPherson D12/203
D641,499 S * 7/2011 Turner D25/119
D659,854 S * 5/2012 Kligman D25/136
D661,412 S * 6/2012 Kligman D25/136

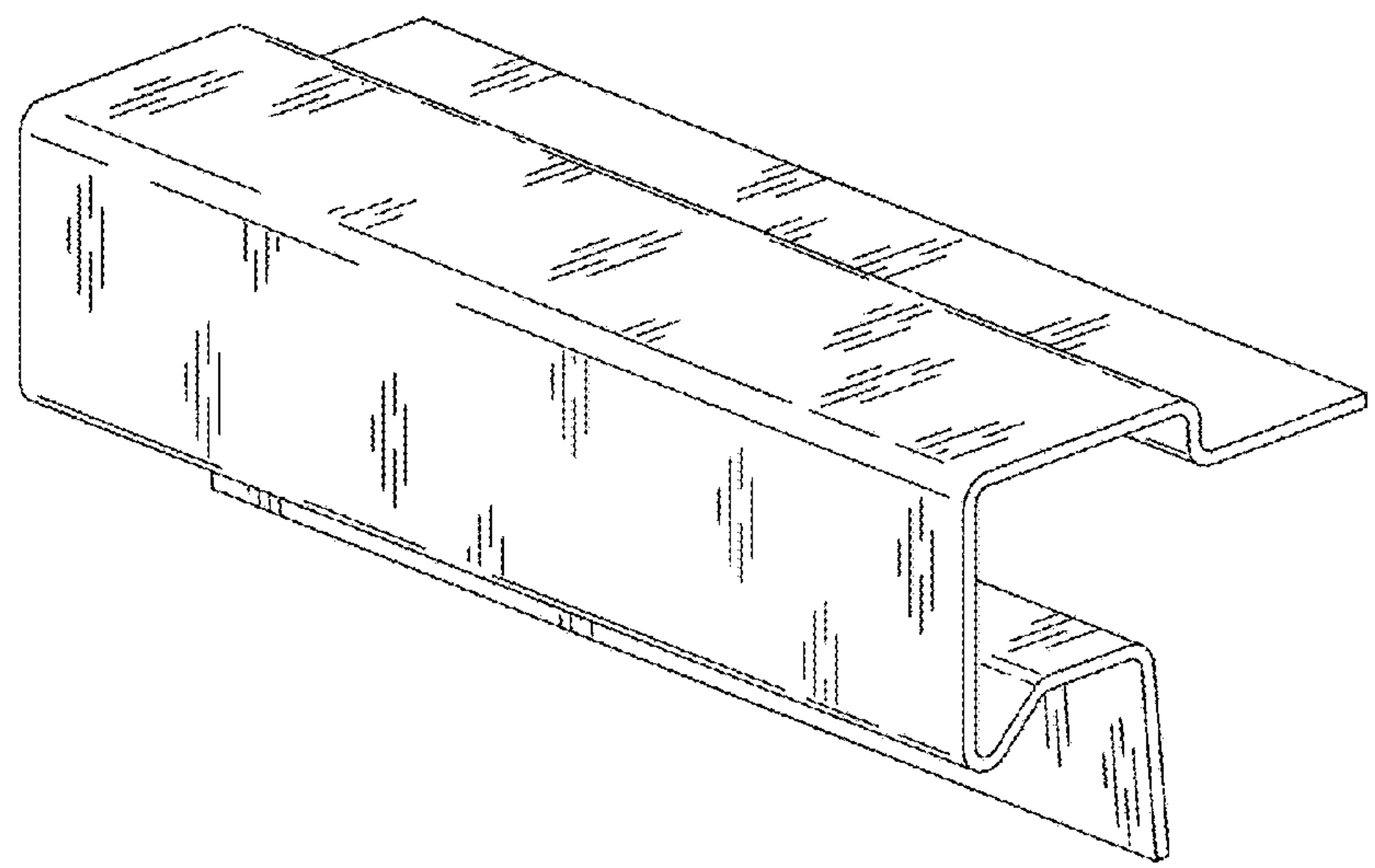
(Continued)

Primary Examiner — Cynthia Ramirez
Assistant Examiner — Gino Colan
(74) *Attorney, Agent, or Firm* — Grant's Law Firm; Allan Grant

(57) **CLAIM**
I claim the ornamental design for a stair lip protector, as shown and as described.

DESCRIPTION
FIG. 1 is a perspective view of the stair lip protector showing my new design;
FIG. 2 is the front elevational view thereof;
FIG. 3 is a back elevational view thereof;
FIG. 4 is a right elevational view thereof;
FIG. 5 is left elevational view thereof;
FIG. 6 is a top plan view thereof;
FIG. 7 is bottom plan view thereof;
FIG. 8 is a perspective view thereof, positioned on a set of stairs; and,
FIG. 9 is a side elevational view thereof; positioned on a set of stairs.
The Broken lines in the drawings are included for the purpose of illustrating environment and form no part of the claimed design.

1 Claim, 4 Drawing Sheets



(56)

References Cited

U.S. PATENT DOCUMENTS

D718,875 S *	12/2014	Ramos Moreno	D25/69
D724,240 S *	3/2015	Ross	D25/121
D729,410 S *	5/2015	Lopez	D25/102
D750,806 S *	3/2016	Singh	D25/119
2013/0014453 A1 *	1/2013	Hargrave	E02D 5/60 52/101

* cited by examiner

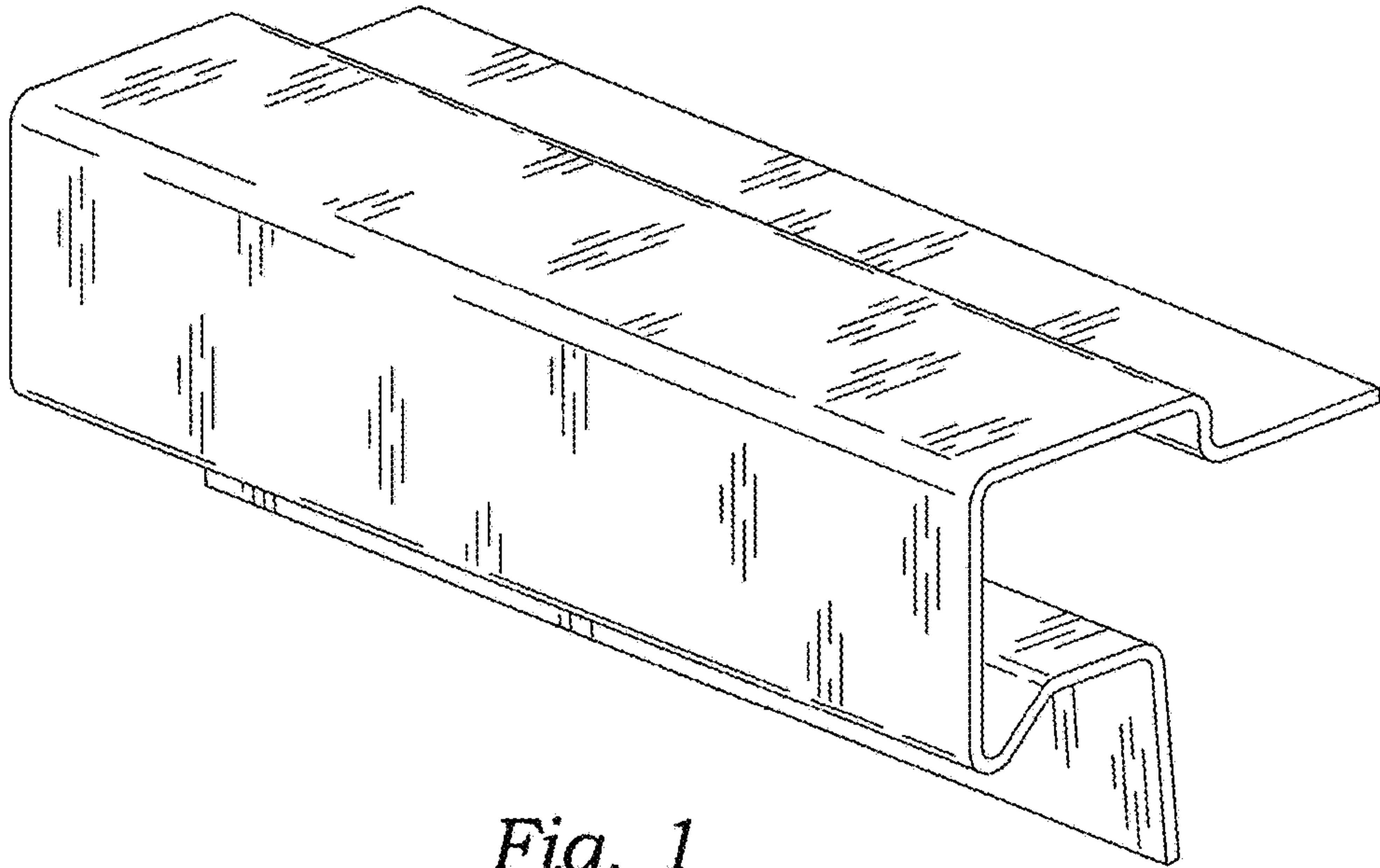


Fig. 1

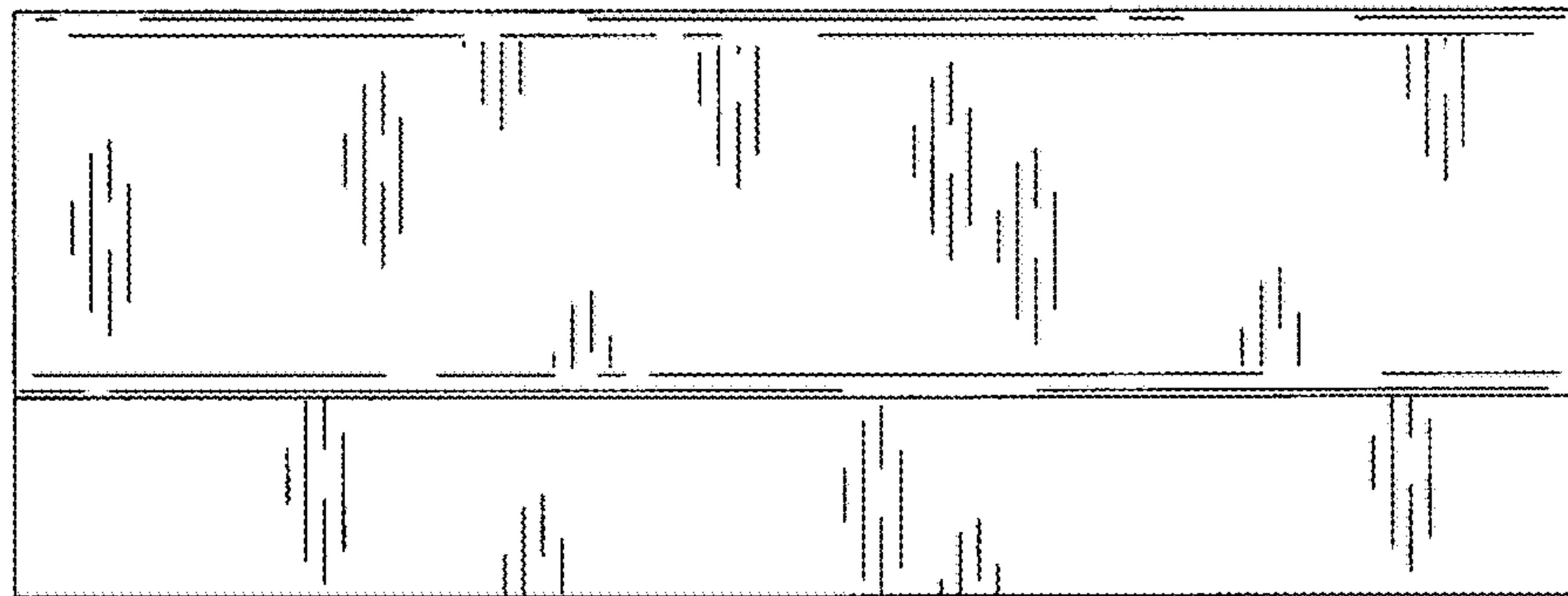


Fig. 2

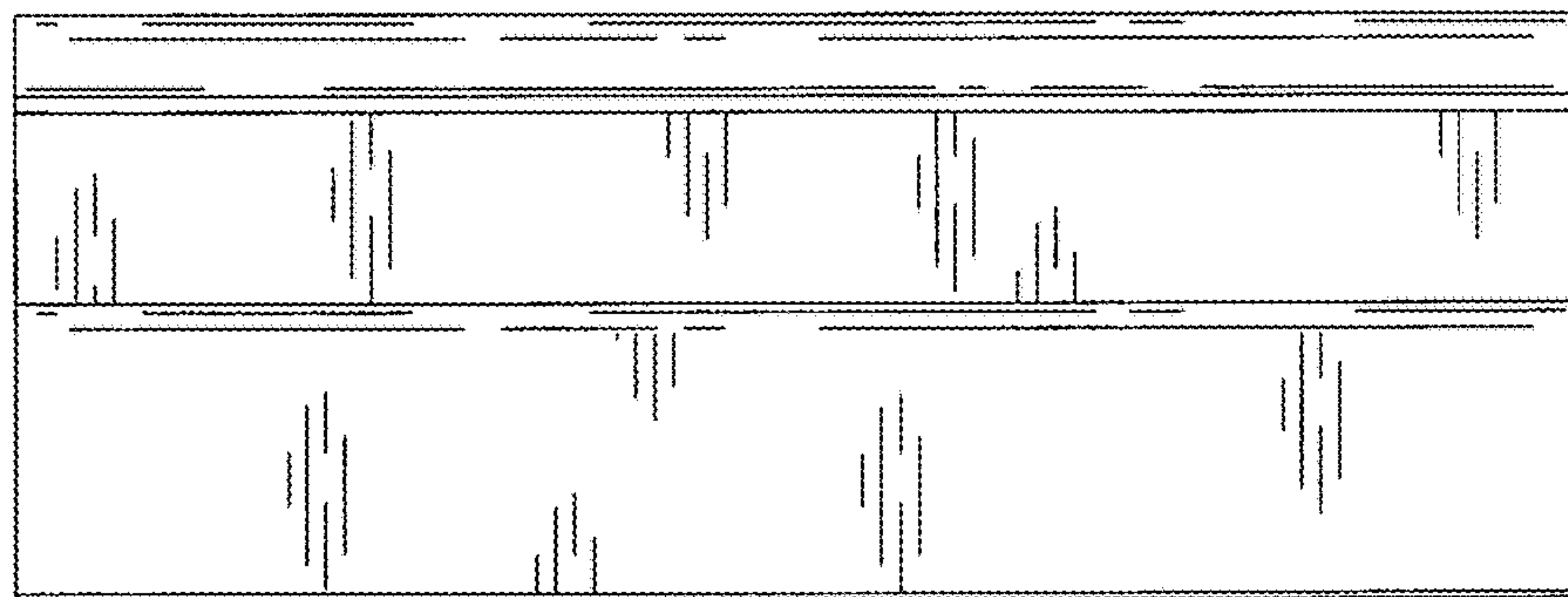


Fig. 3

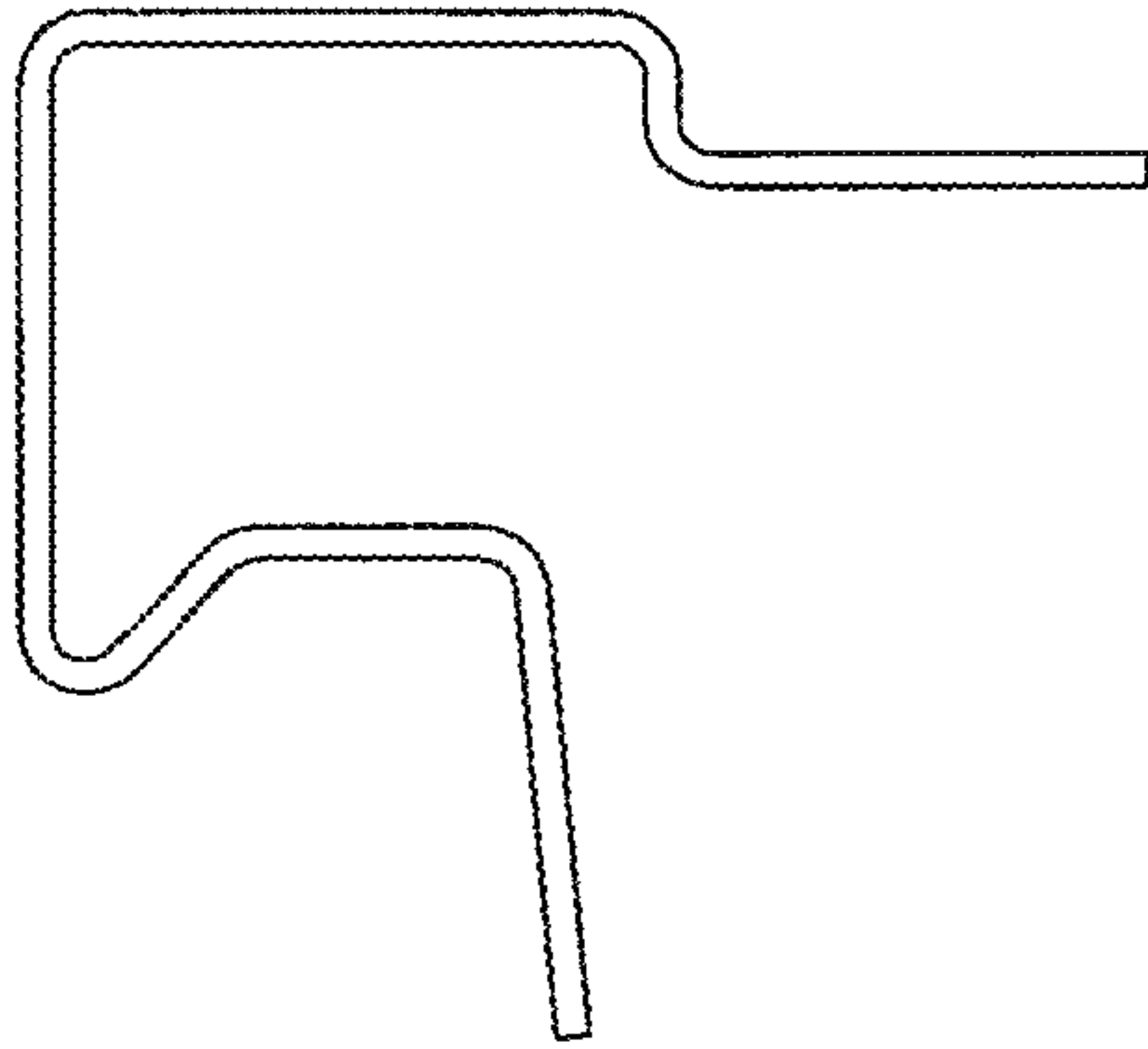


Fig. 4

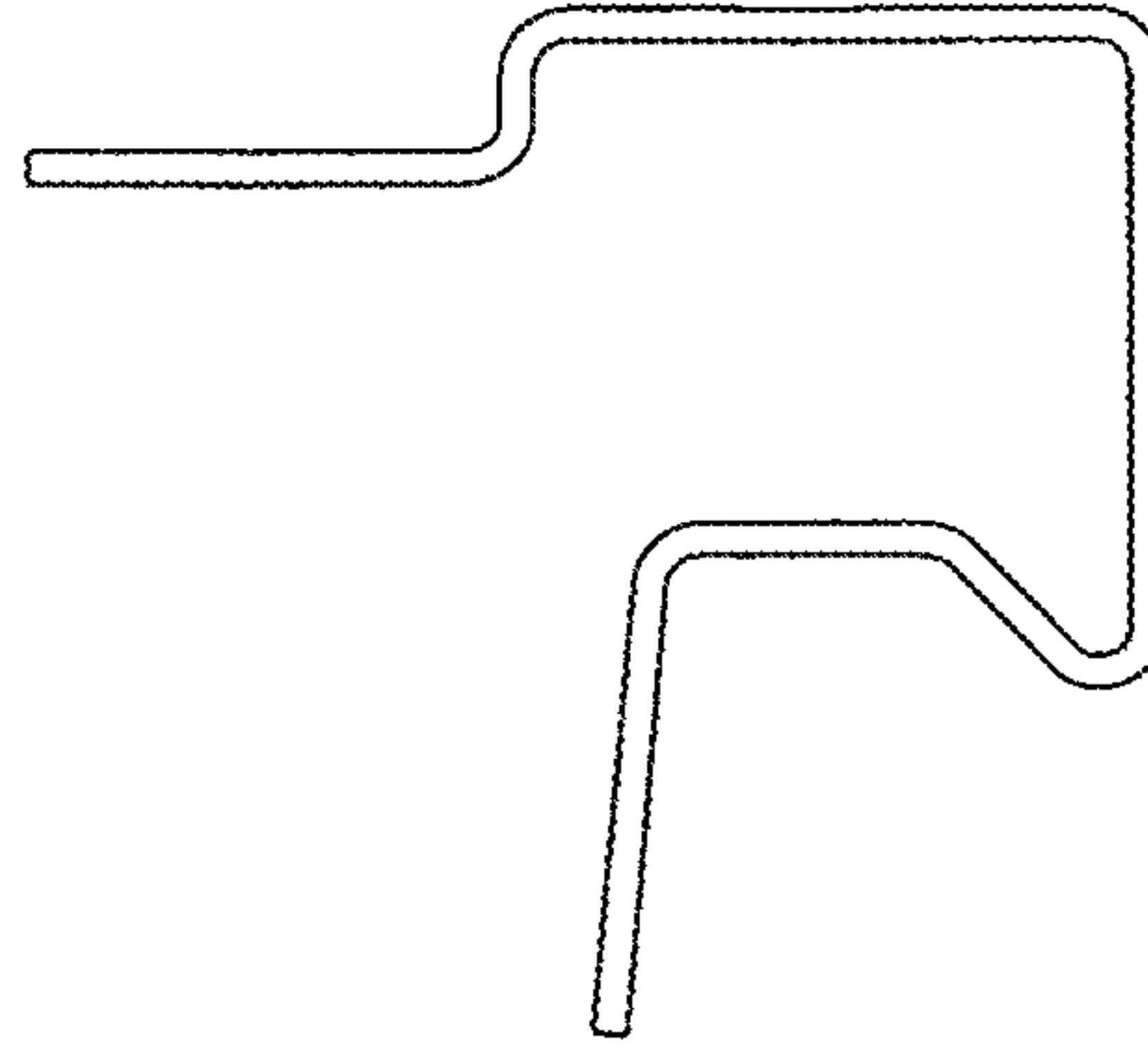


Fig. 5

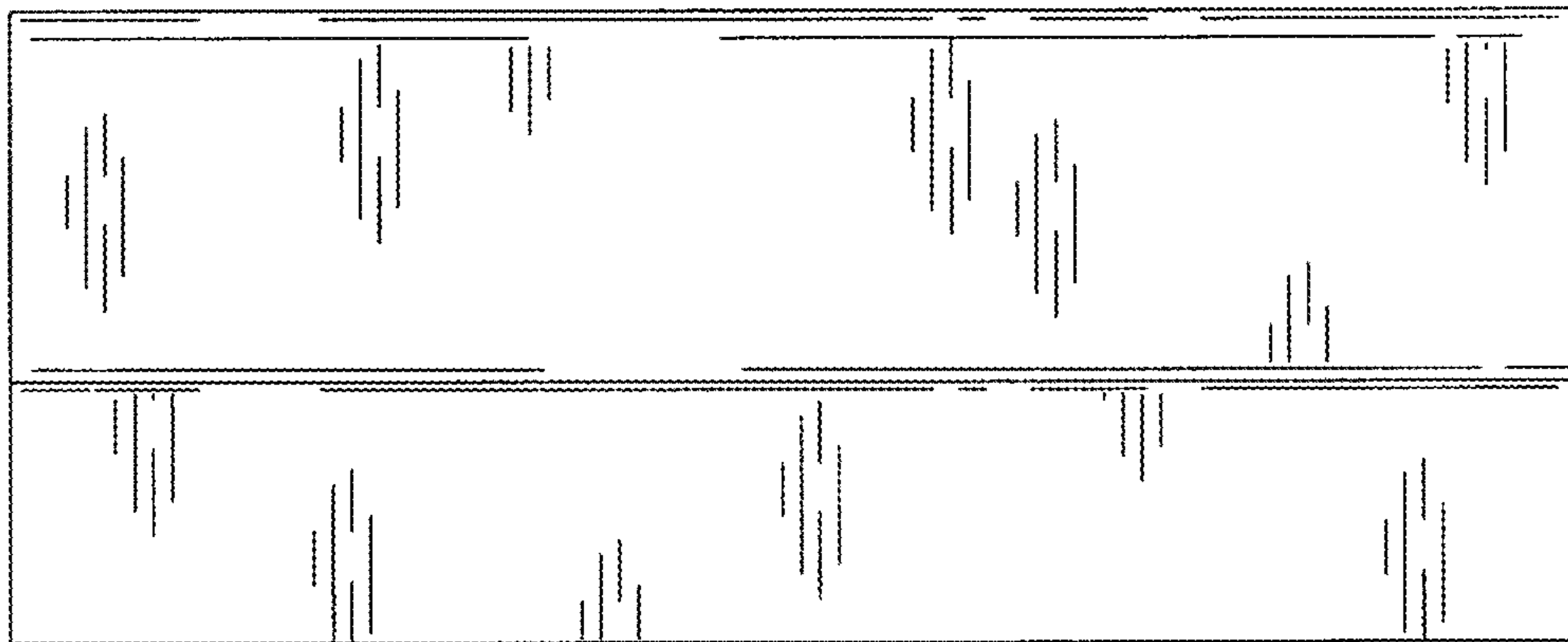


Fig. 6

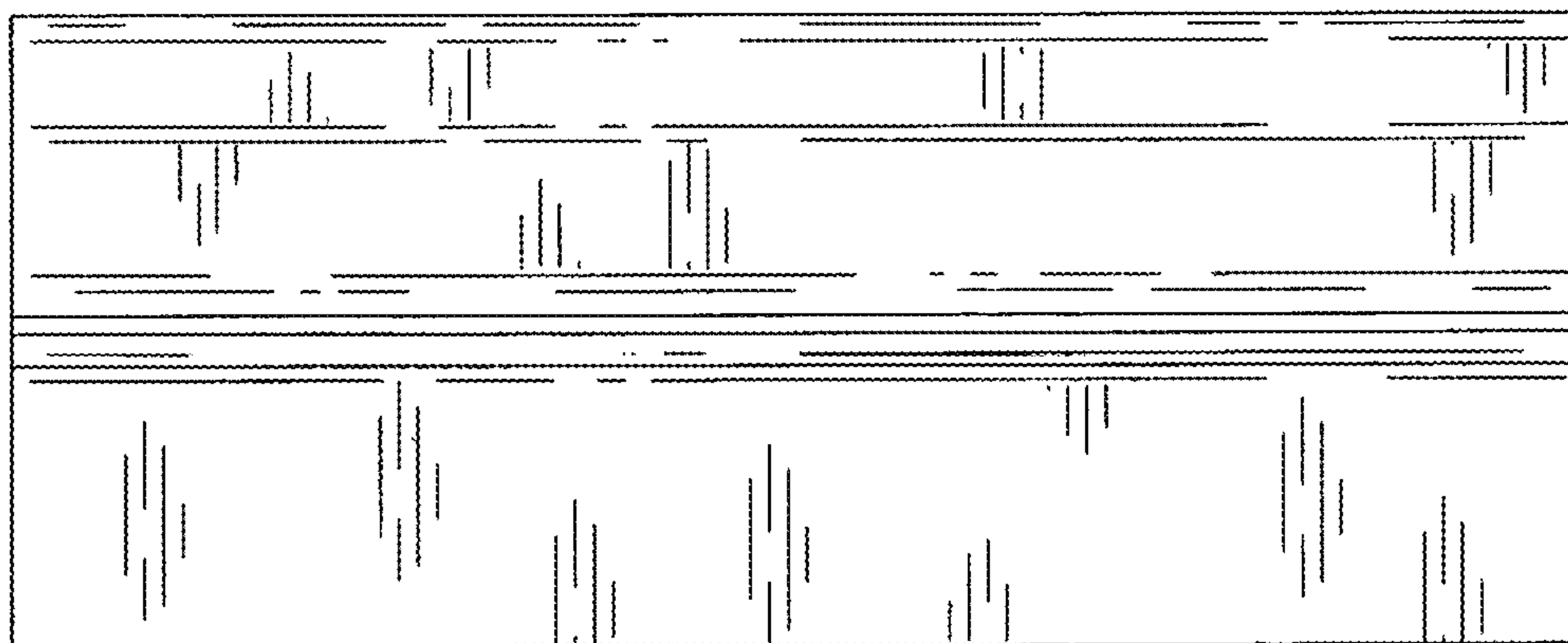


Fig. 7

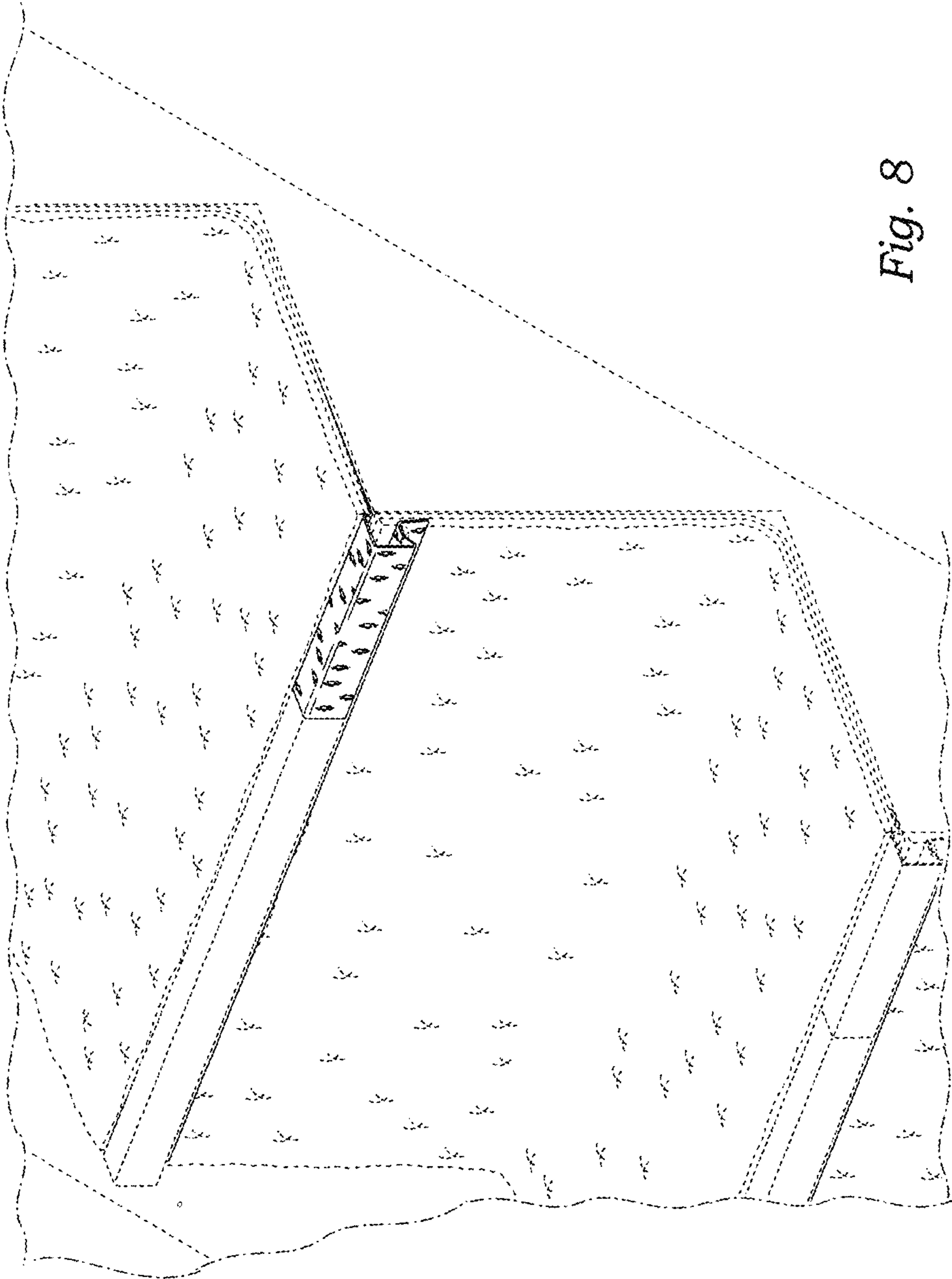


Fig. 8

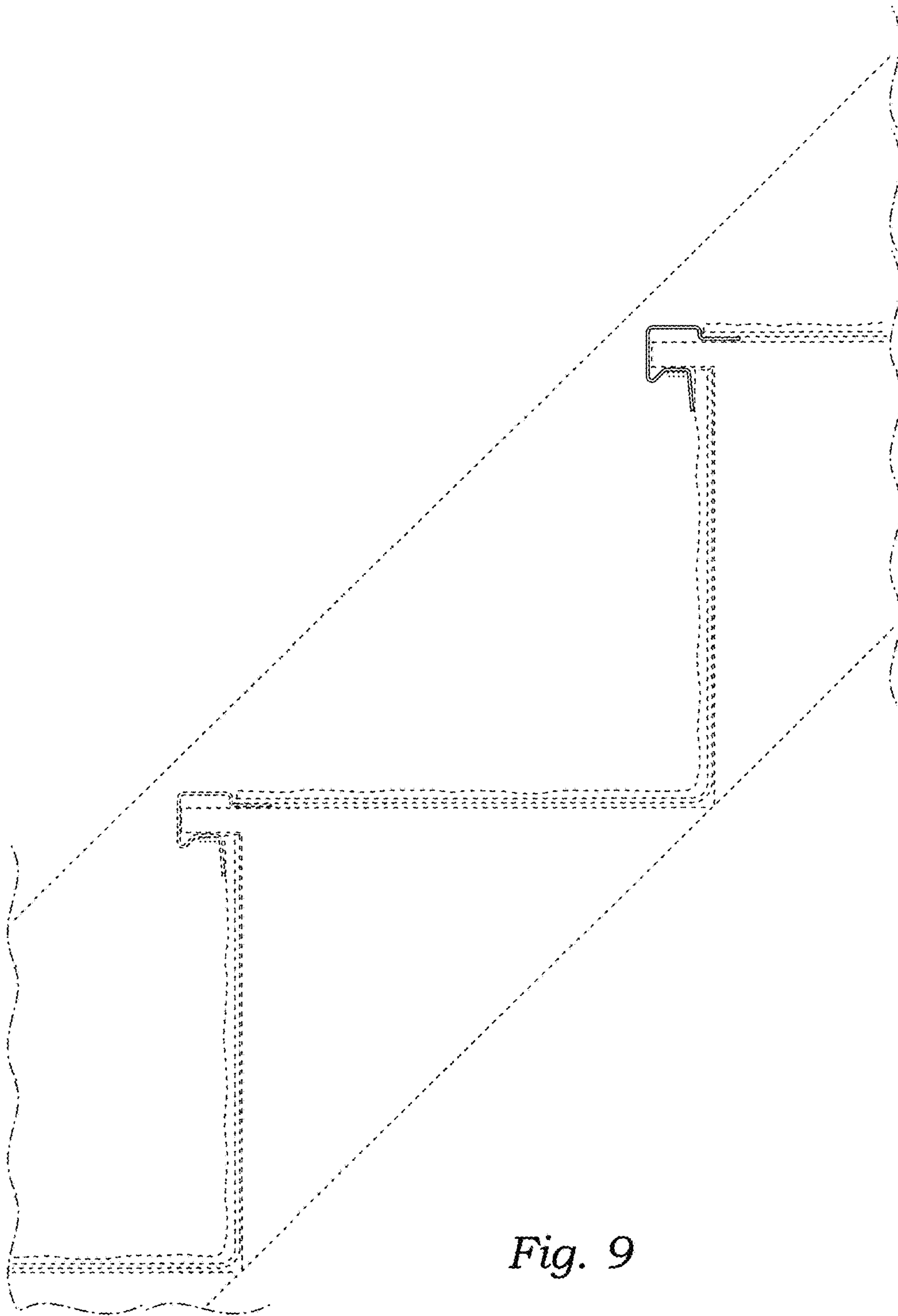


Fig. 9