



US00D802162S

(12) **United States Design Patent**
Ohrstrom et al.

(10) **Patent No.:** **US D802,162 S**

(45) **Date of Patent:** **** Nov. 7, 2017**

(54) **WINDOW**

(71) Applicant: **Soft-Lite, LLC**, Streetsboro, OH (US)

(72) Inventors: **Rolf J. Ohrstrom**, Toronto (CA); **Sajid Albert Lewis**, Etobicocke (CA)

(73) Assignee: **SOFT-LITE LLC**, Streetsboro, OH (US)

(**) Term: **15 Years**

(21) Appl. No.: **29/538,877**

(22) Filed: **Sep. 9, 2015**

(51) **LOC (10) Cl.** **25-02**

(52) **U.S. Cl.**
USPC **D25/48.7**

(58) **Field of Classification Search**
USPC D25/48.1, 48.7, 55, 60; 49/397, 459, 49/463, 504, DIG. 2; 52/202, 204.5, 52/204.595, 204.51, 204.53, 204.54, 52/204.71, 656.7
CPC . E06B 1/12; E06B 3/9636; E06B 9/02; E06B 9/52
See application file for complete search history.

(56) **References Cited**

U.S. PATENT DOCUMENTS

- 3,081,852 A * 3/1963 Mendelsohn E06B 1/12 49/459
- D214,033 S * 5/1969 Starr D25/58
- D247,047 S * 1/1978 Damiana D25/48.7
- D299,544 S * 1/1989 Nolan D25/48.7
- 5,822,931 A * 10/1998 Galowitz E06B 1/342 52/204.5
- 5,921,037 A * 7/1999 Minter E06B 3/5454 52/204.5
- D588,711 S * 3/2009 Ryba D25/60

- D618,363 S * 6/2010 Card D25/48.7
- D719,744 S * 12/2014 Plumbo D6/300
- 2015/0284994 A1 * 10/2015 Richter E06B 9/52 160/92

OTHER PUBLICATIONS

<http://windowanddoor.com/category/product-section/energy-efficient-products-2016> Retrieved Feb. 15, 2017.*

* cited by examiner

Primary Examiner — Susan Bennett Hattan

Assistant Examiner — Leanne Was-Englehart

(74) *Attorney, Agent, or Firm* — Baker Hostetler LLP

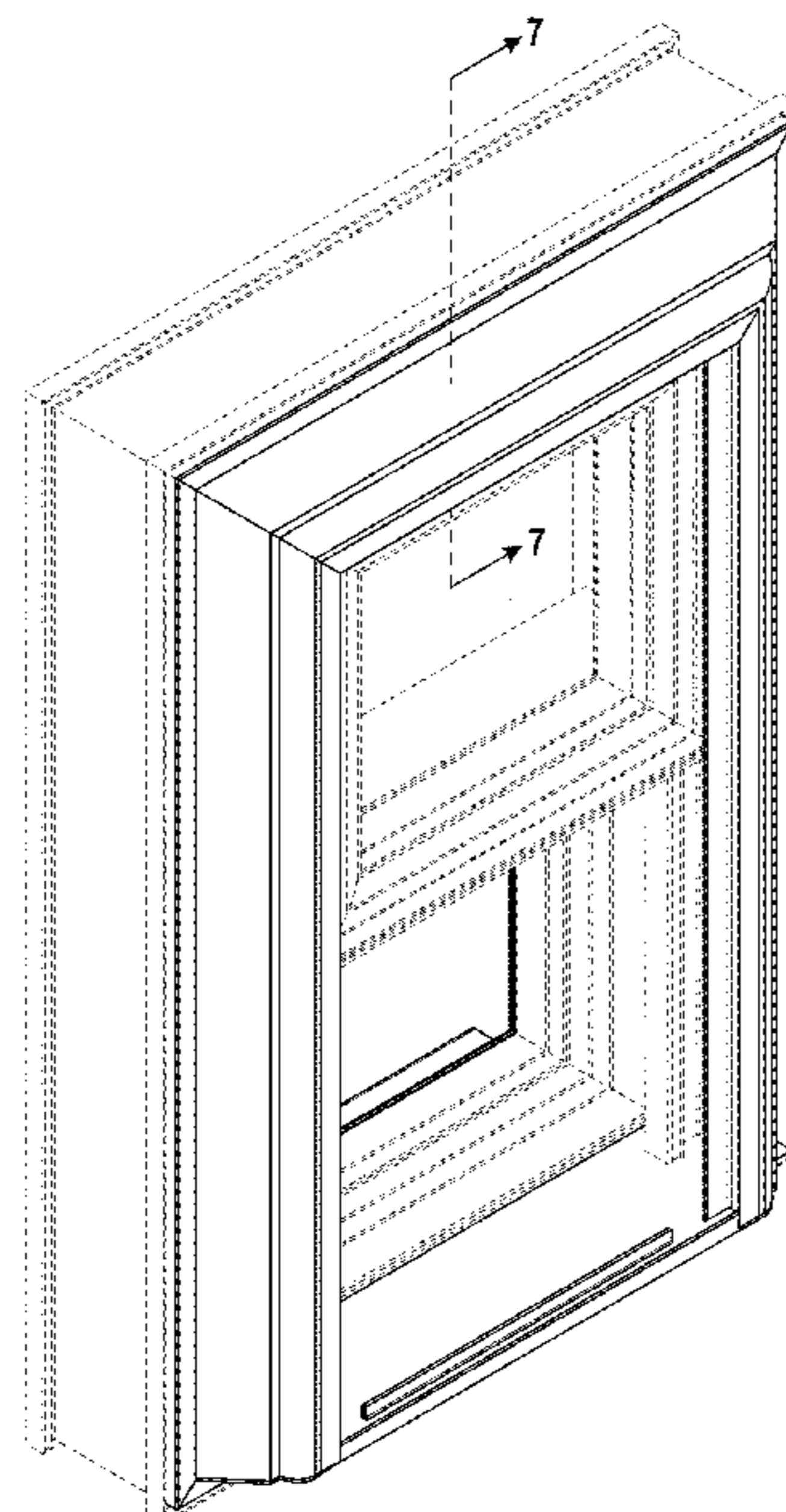
(57) **CLAIM**

We claim the ornamental design for a window, as shown and described.

DESCRIPTION

FIG. 1 is a right front side perspective view of the window; FIG. 2 is a front side view of the window shown in FIG. 1; FIG. 3 is a bottom side view of the window shown in FIG. 1; FIG. 4 is a top side view of the window shown in FIG. 1; FIG. 5 is a right side view of the window shown in FIG. 1; FIG. 6 is a left side view of the window shown in FIG. 1; FIG. 7 is a cross-sectional view of the window taken along line 7-7 in FIG. 1; and, FIG. 8 is a back side view of the window shown in FIG. 1. The portions of the window shown in dashed lines, and any surfaces of the design not shown, including interior surfaces, form no part of the claimed invention.

1 Claim, 6 Drawing Sheets



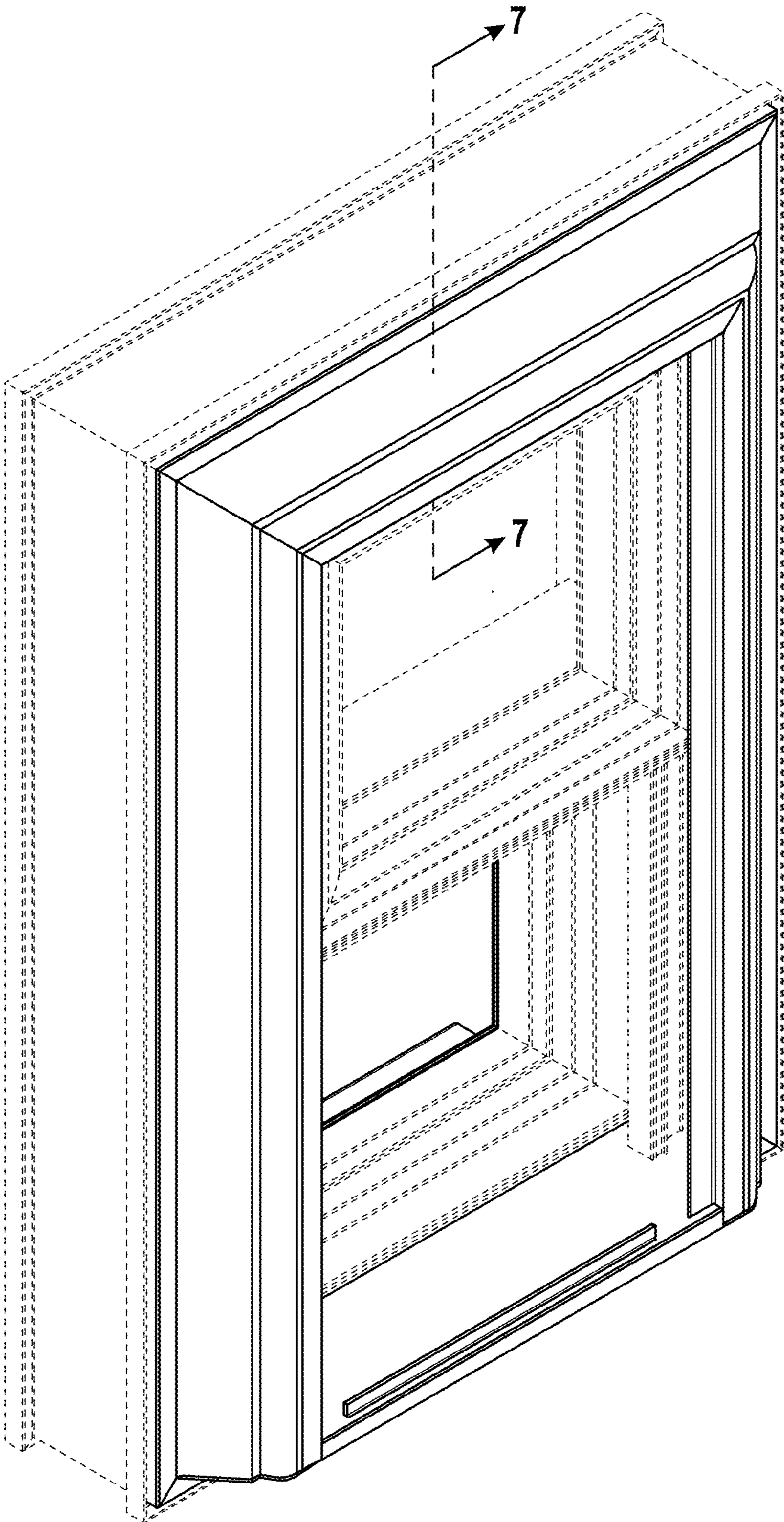


FIG. 1

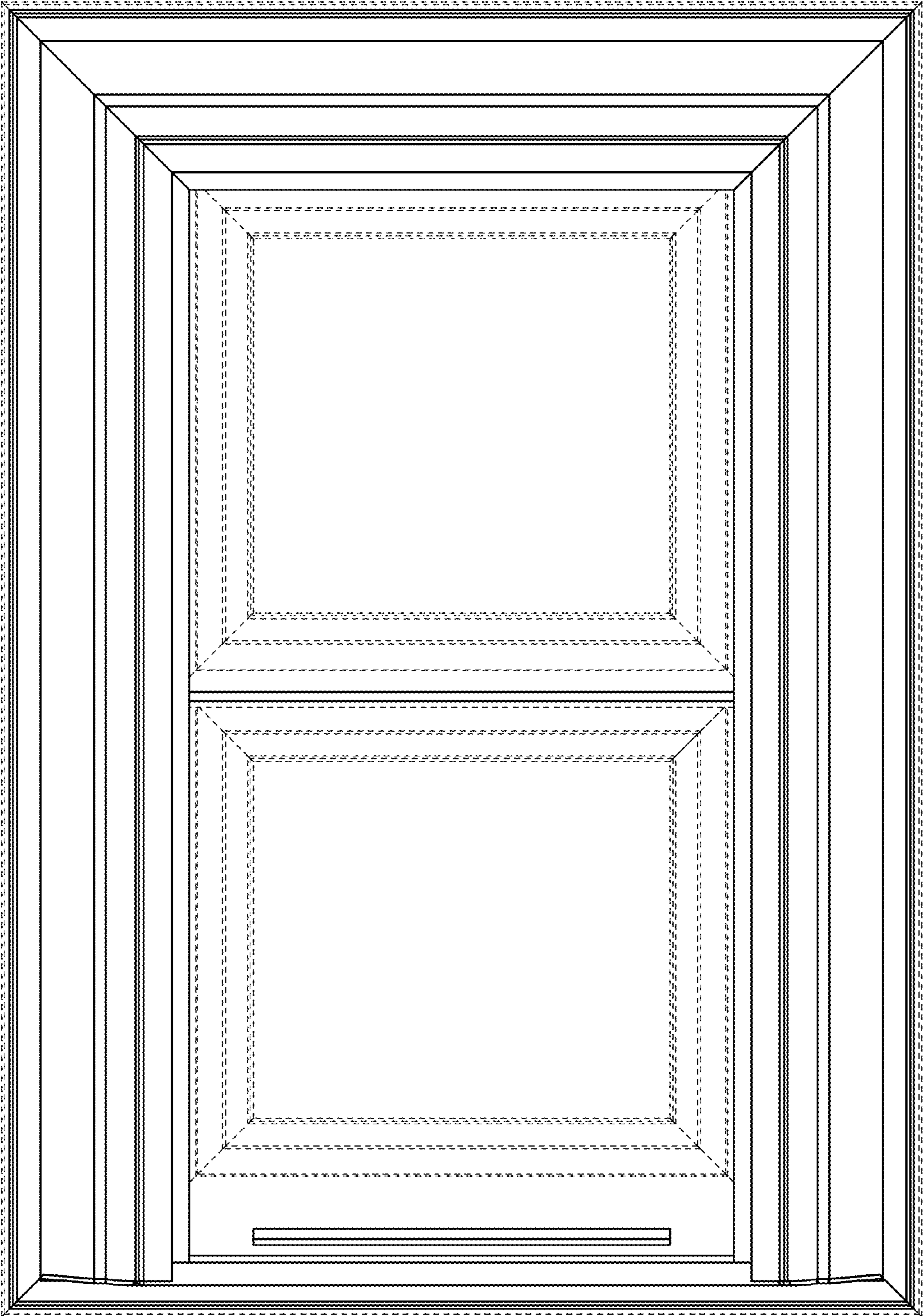


FIG. 2

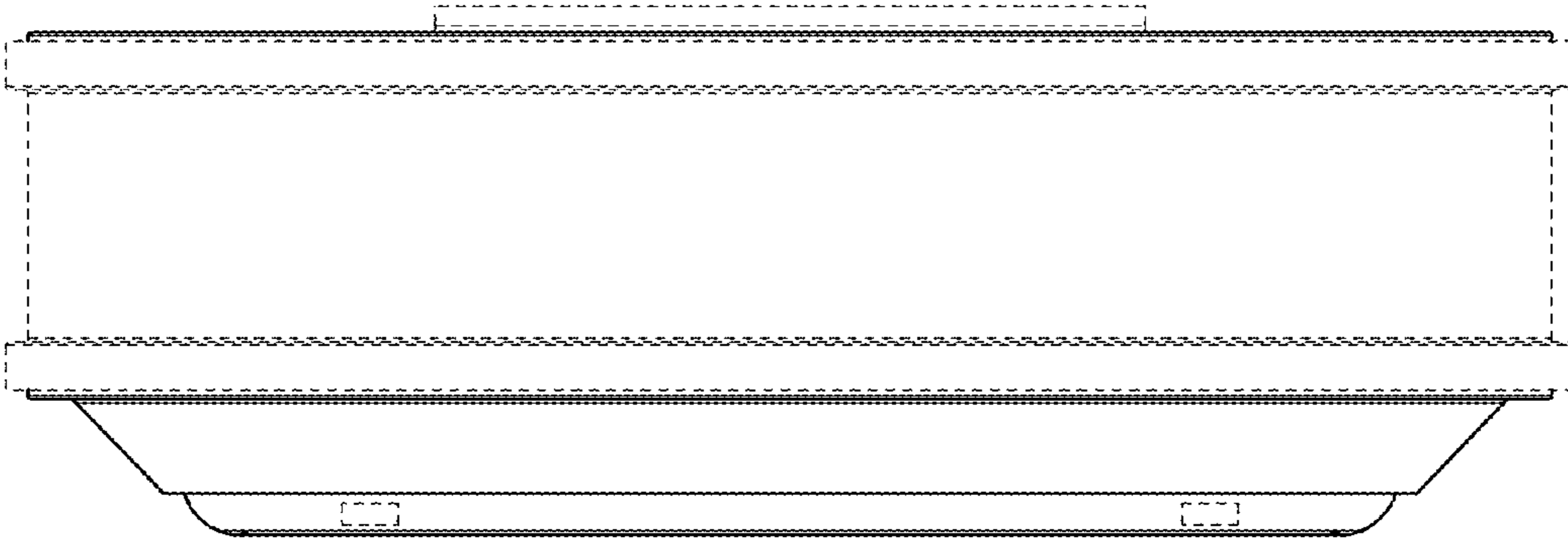


FIG. 3

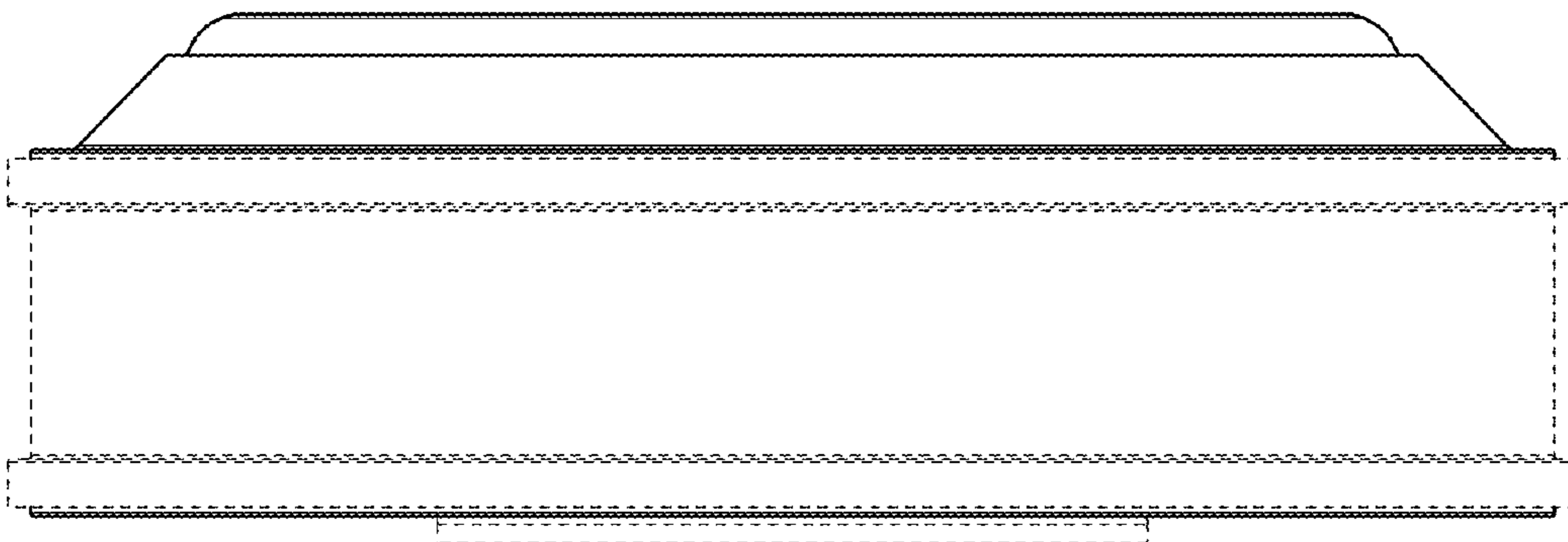


FIG. 4

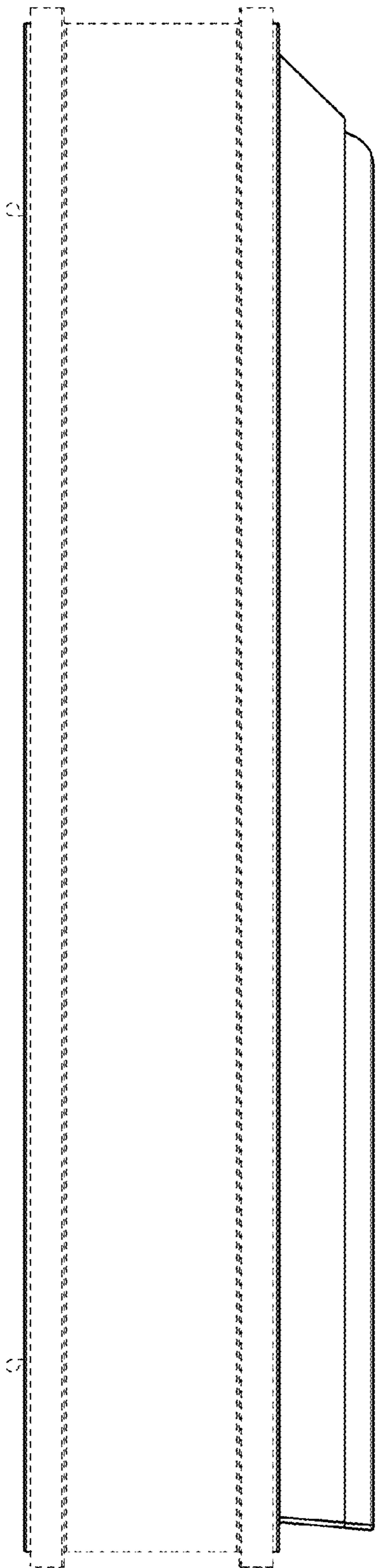


FIG. 5

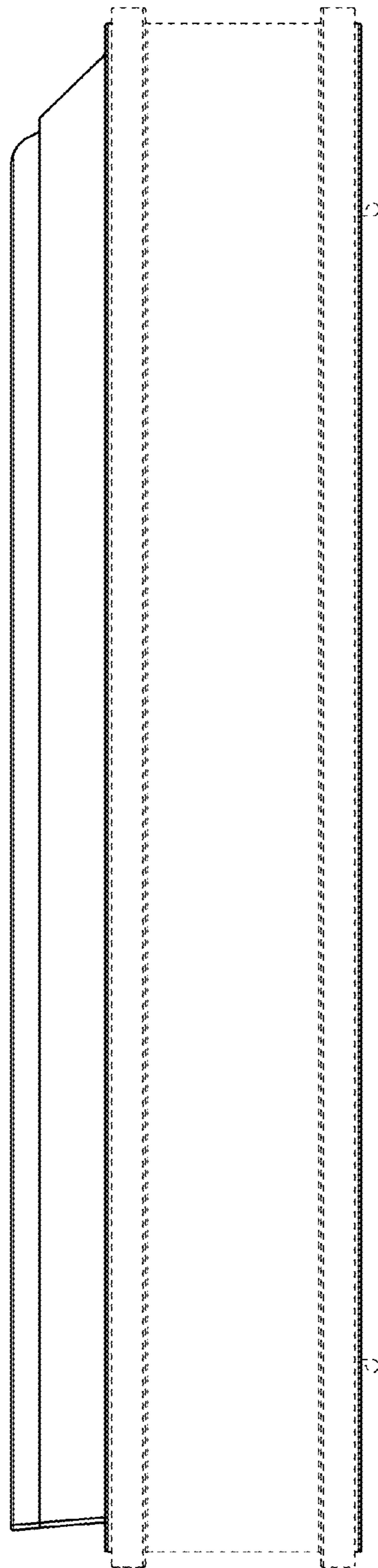


FIG. 6

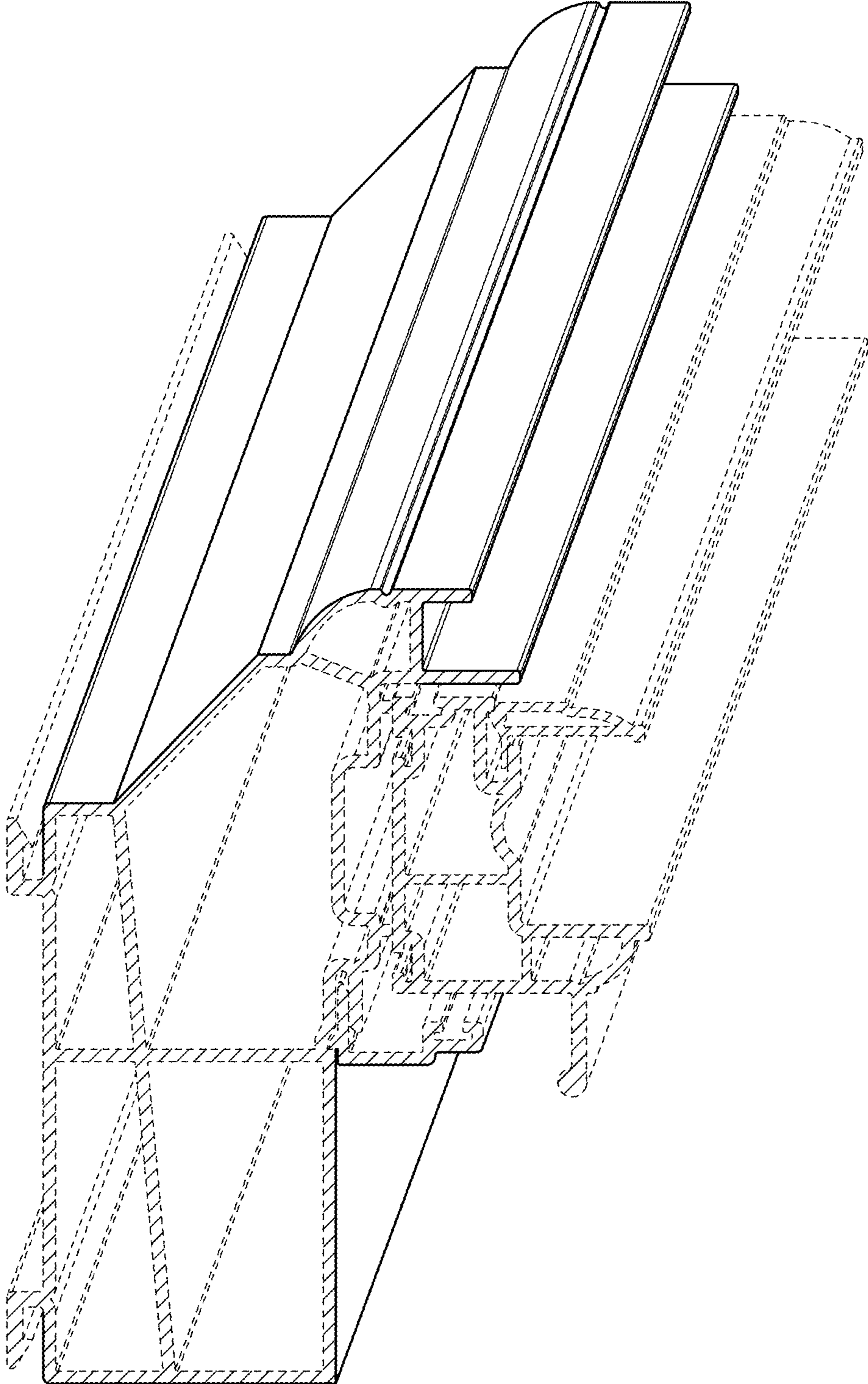


FIG. 7

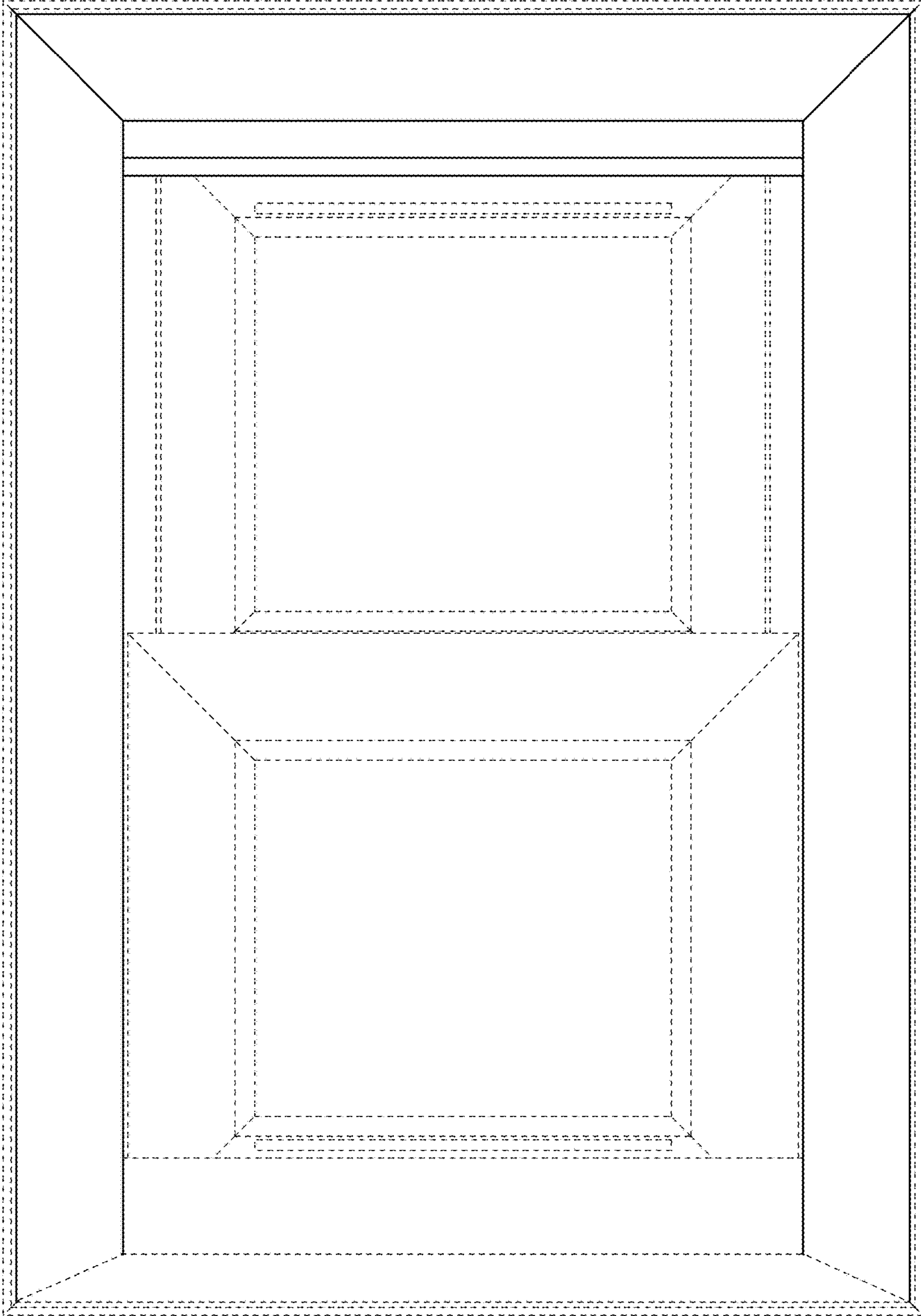


FIG. 8