



US00D802161S

(12) **United States Design Patent** (10) **Patent No.:** **US D802,161 S**  
**Brown** (45) **Date of Patent:** **\*\* Nov. 7, 2017**

- (54) **PORTABLE TOILET**
- (71) Applicant: **Porta-Can & Bottle Holdings LLC**,  
Greensboro, NC (US)
- (72) Inventor: **John T. Brown**, Liberty, NC (US)
- (73) Assignee: **PORTA-CAN & BOTTLE HOLDINGS, LLC**, Greensboro, NC (US)
- (\*\*) Term: **15 Years**
- (21) Appl. No.: **29/554,779**
- (22) Filed: **Feb. 15, 2016**
- (51) **LOC (10) Cl.** ..... **25-03**
- (52) **U.S. Cl.**  
USPC ..... **D25/16**
- (58) **Field of Classification Search**  
USPC ..... D9/719, 738, 746, 751, 764, 767, 438,  
D9/499; D25/1-34, 56  
CPC .. E04H 1/12; E04H 1/12; E04H 1/121; B65D  
17/16; B65D 17/28  
See application file for complete search history.

D519,645 S *	4/2006	Wright	.....	D25/16
D545,451 S *	6/2007	Urbanek	.....	D25/16
D569,009 S *	5/2008	Hallberg	.....	D25/16
D578,656 S *	10/2008	Holmstadt	.....	D25/16
D600,556 S *	9/2009	Chupak	.....	D9/500
D675,527 S *	2/2013	Rogers	.....	D9/443
D696,946 S *	1/2014	Hines	.....	D9/500
D722,508 S *	2/2015	Hirsberg	.....	D9/503
D729,944 S *	5/2015	Stoll	.....	D25/16
9,260,876 B1 *	2/2016	Brown	.....	E04H 1/1216
D767,399 S *	9/2016	Forsberg	.....	D20/22
D770,891 S *	11/2016	Porter	.....	D9/438
2005/0258175 A1 *	11/2005	Robertson	.....	B65D 17/165 220/269
2016/0160516 A1 *	6/2016	Brown	.....	E04H 1/1216 4/462

\* cited by examiner

*Primary Examiner* — Susan Bennett Hattan  
*Assistant Examiner* — Suzanne E Tisdell  
(74) *Attorney, Agent, or Firm* — NK Patent Law, PLLC

(57) **CLAIM**

I claim the ornamental design for the portable toilet, as shown and described.

**DESCRIPTION**

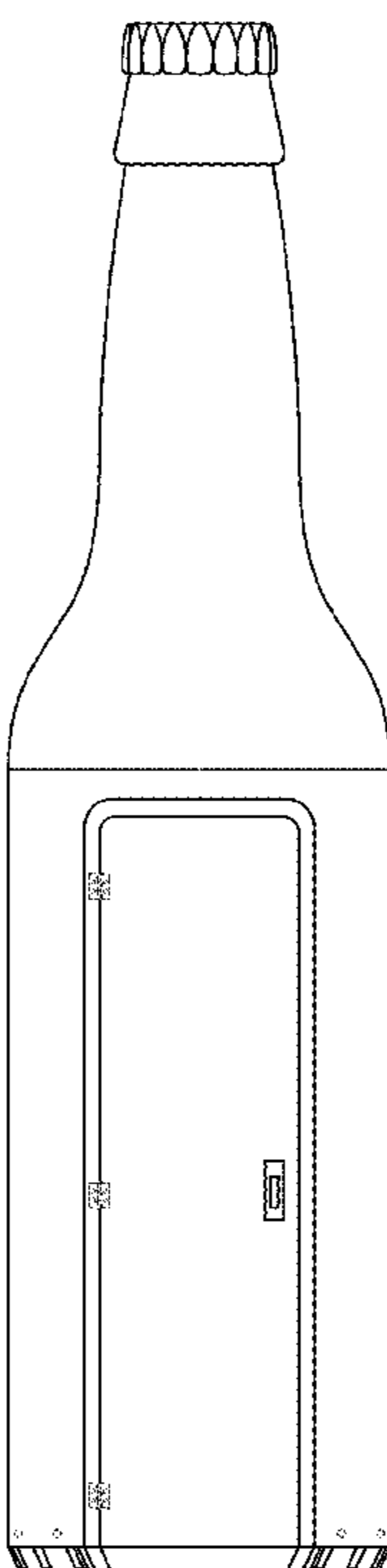
FIG. 1 is a front facing perspective of the portable toilet; FIG. 2 is a side facing perspective of the portable toilet; FIG. 3 is a side facing perspective of the portable toilet; FIG. 4 is a rear facing perspective of the portable toilet; FIG. 5 is a bottom facing perspective of the portable toilet; FIG. 6 is a top facing perspective of the portable toilet; and, FIG. 7 is a perspective view of the portable toilet.

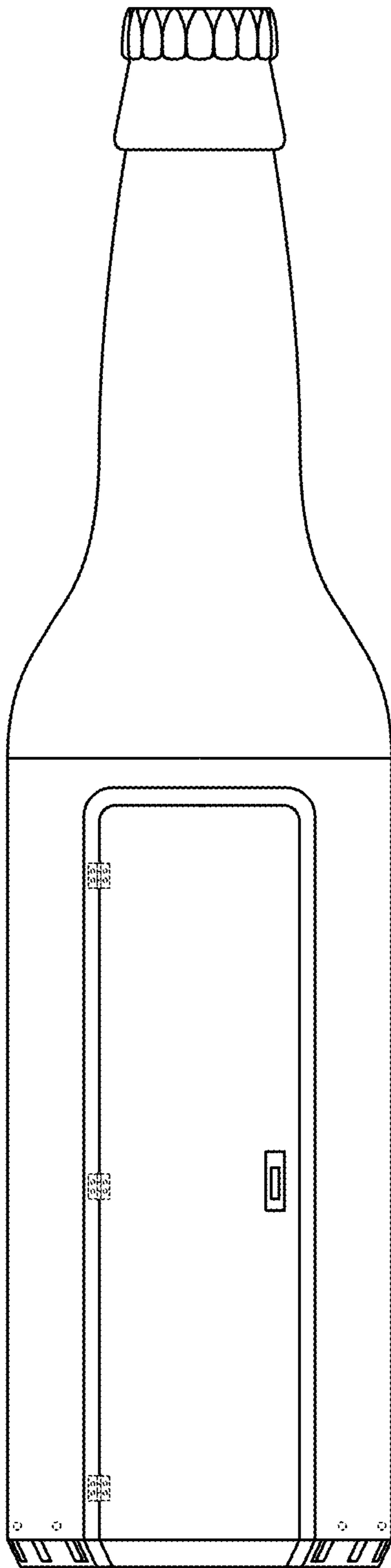
**1 Claim, 7 Drawing Sheets**

(56) **References Cited**

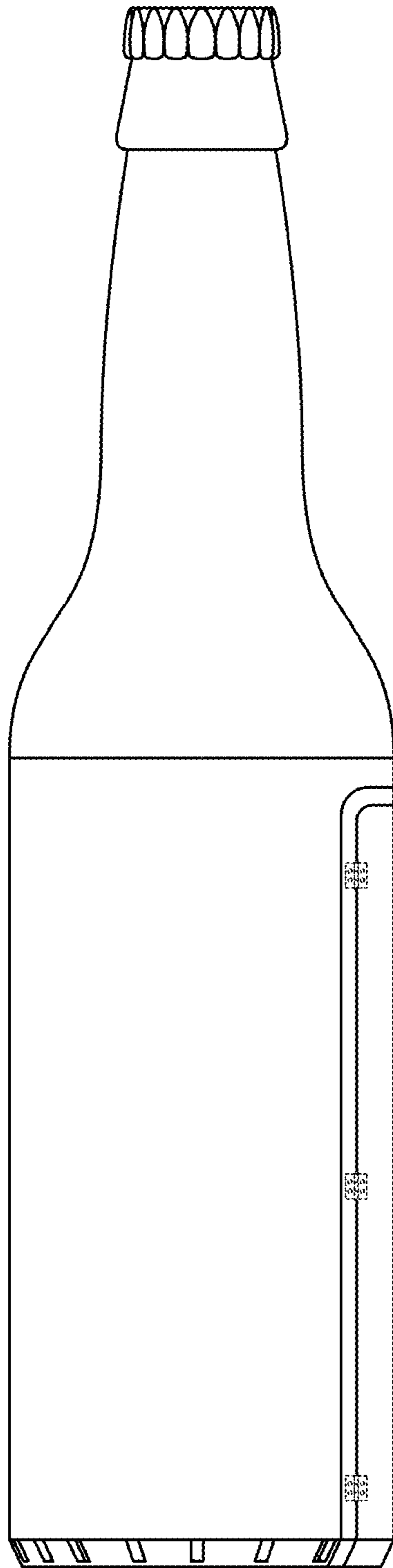
**U.S. PATENT DOCUMENTS**

D285,005 S *	8/1986	Italiene	.....	D24/202
D308,726 S *	6/1990	Fontaine	.....	D25/16
5,036,634 A *	8/1991	Lessard	.....	E04H 1/1205 446/105
D381,433 S *	7/1997	Priestley	.....	D25/16
D403,078 S *	12/1998	Allan	.....	D25/33
D489,459 S *	5/2004	Linn	.....	D25/10

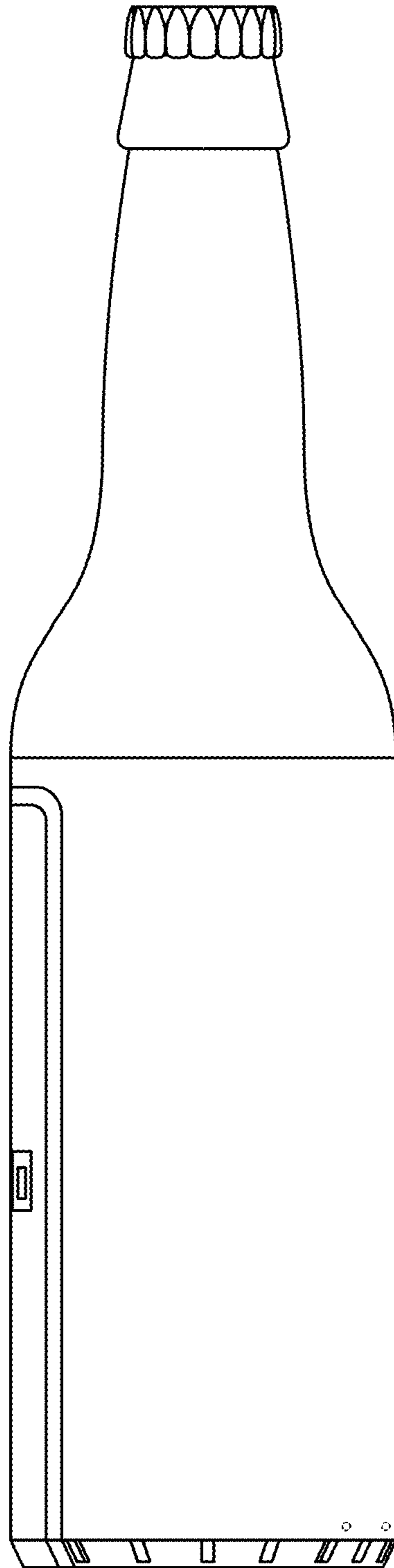




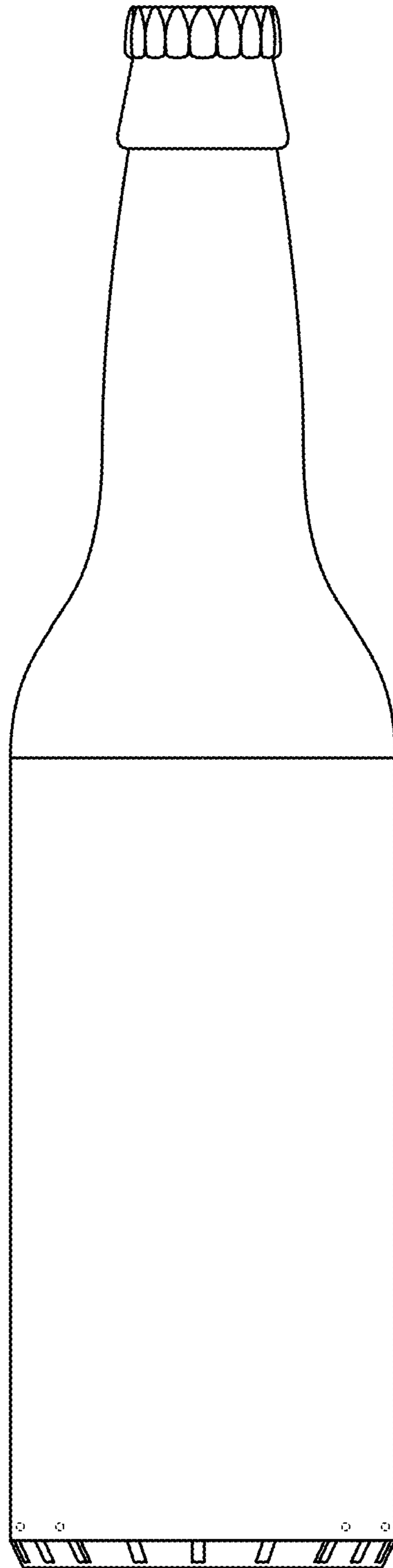
**Fig. 1**



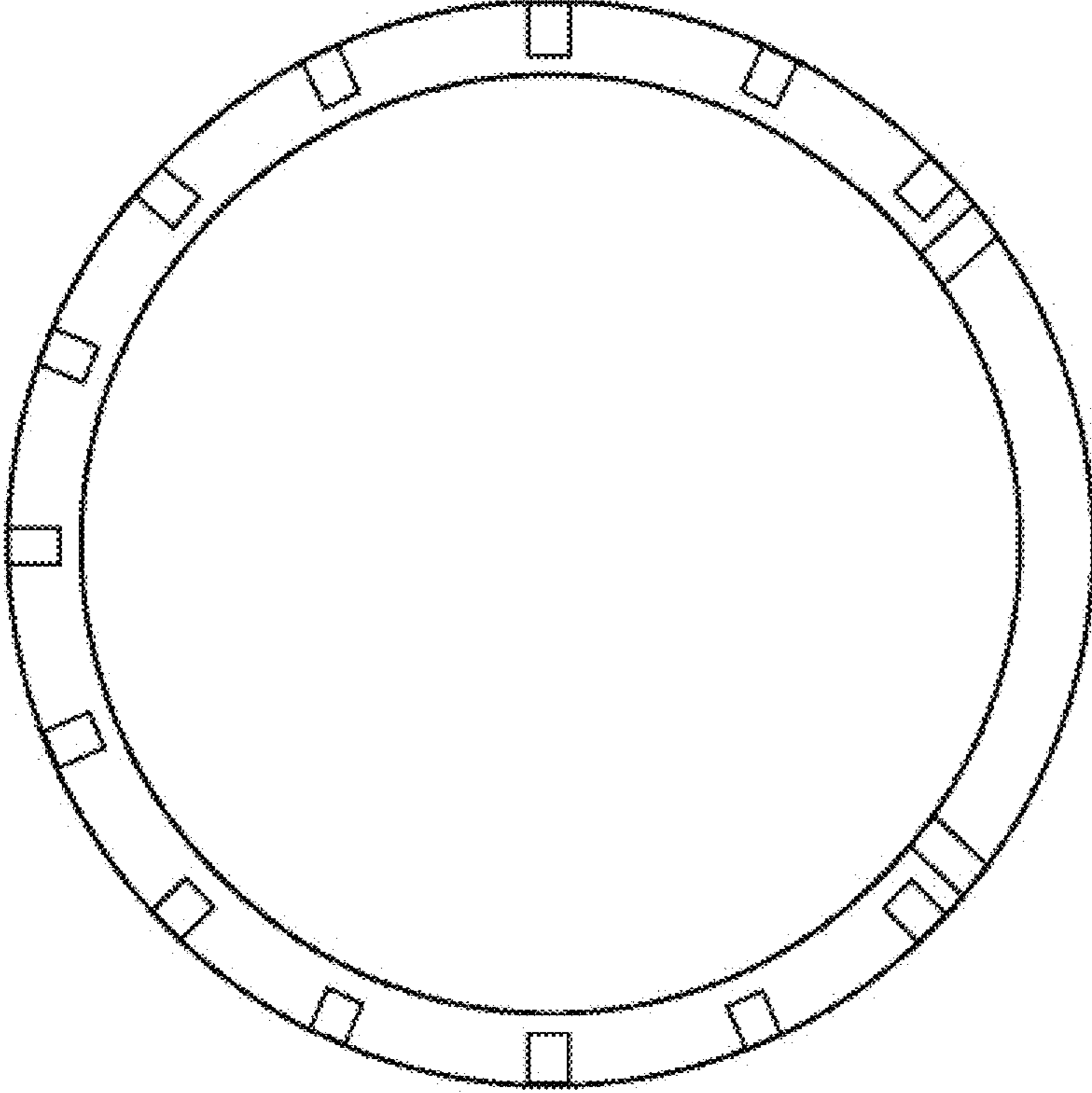
**Fig. 2**



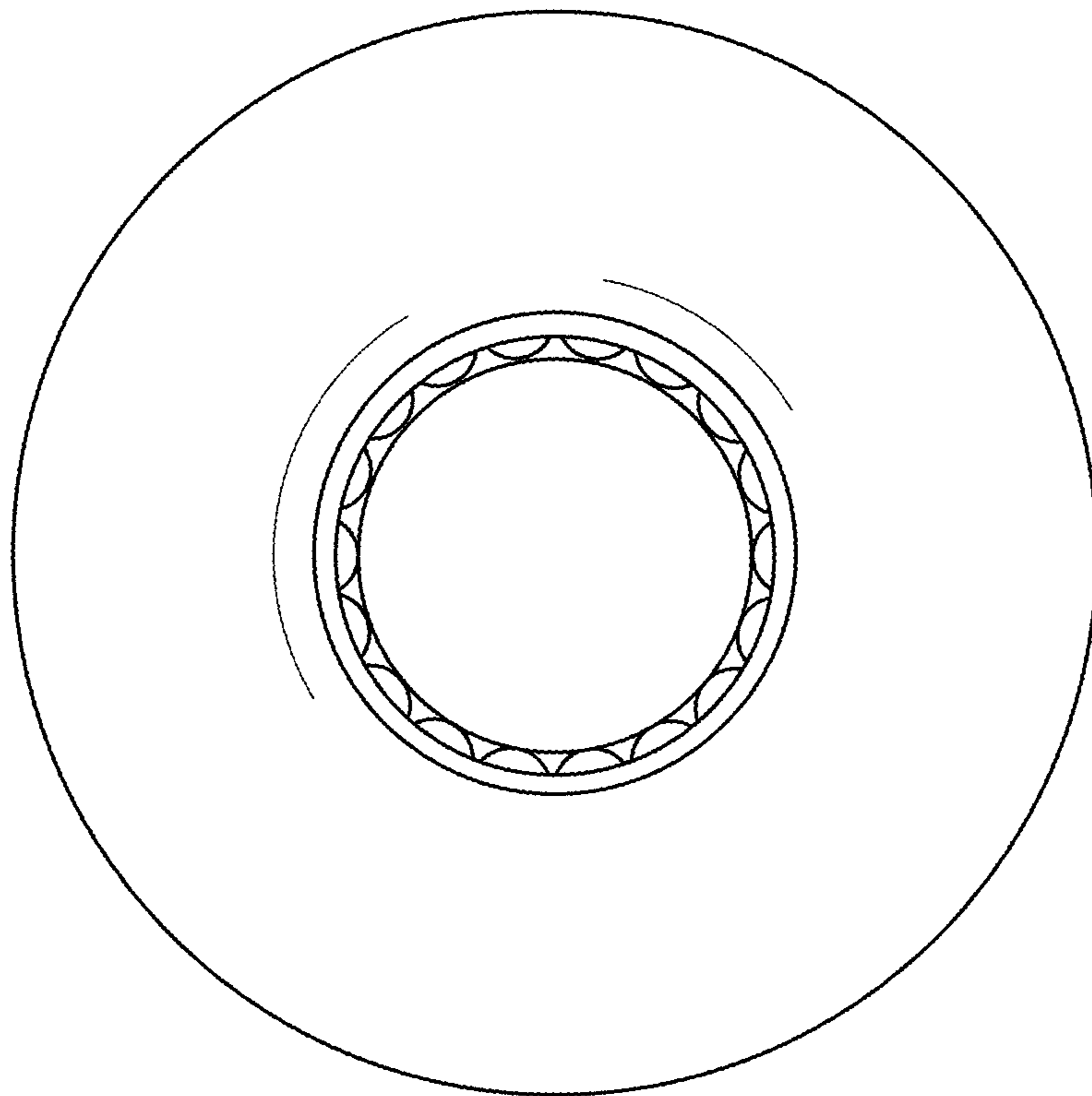
**Fig. 3**



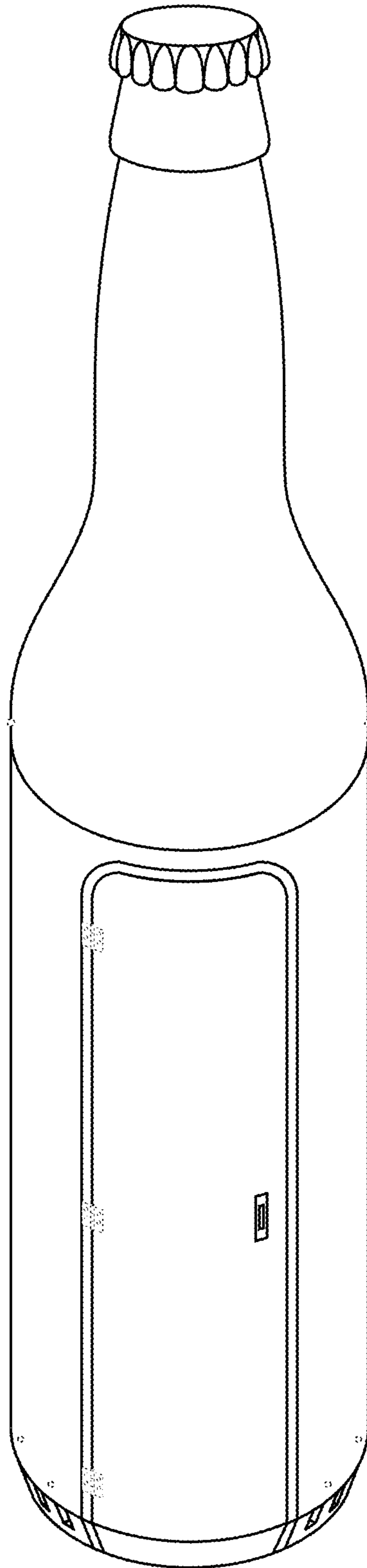
**Fig. 4**



**Fig. 5**



***Fig. 6***



**Fig. 7**