



US00D802158S

(12) **United States Design Patent**
Bethune

(10) **Patent No.:** **US D802,158 S**

(45) **Date of Patent:** **** Nov. 7, 2017**

(54) **AMPOULE STAND**

(71) Applicant: **John Bethune**, Hinesburg, VT (US)

(72) Inventor: **John Bethune**, Hinesburg, VT (US)

(**) Term: **14 Years**

(21) Appl. No.: **29/491,713**

(22) Filed: **May 23, 2014**

(51) **LOC (10) Cl.** **24-02**

(52) **U.S. Cl.**
USPC **D24/227**

(58) **Field of Classification Search**
USPC D24/227-230, 216, 127; 211/71.1,
211/72-74; 422/206, 501; 206/366, 541
CPC A61J 1/12; A61J 1/00; A61J 1/065; A61J
1/067
See application file for complete search history.

(56) **References Cited**

U.S. PATENT DOCUMENTS

3,731,819	A *	5/1973	Sandhage	B01L 9/06 211/74
3,847,200	A *	11/1974	Kopp	B01L 3/50851 159/16.1
4,280,336	A *	7/1981	Taylor	A45C 11/20 206/541
D285,344	S *	8/1986	Olson	D10/96
D312,692	S *	12/1990	Bradley	D24/230
5,007,535	A *	4/1991	Meseke	A61M 5/008 206/363
5,181,394	A *	1/1993	Schea, III	A61J 1/165 116/219
5,221,002	A *	6/1993	Garganese	B65D 71/50 206/145
D340,519	S *	10/1993	Ogden	D24/120

6,610,252	B2 *	8/2003	Madril	F26B 5/06 422/501
D501,680	S *	2/2005	Smith	D24/216
D632,404	S *	2/2011	Karpiloff	D24/230
D675,748	S *	2/2013	Hilligoss	D24/230
D735,881	S *	8/2015	Thomas	D24/227
9,237,985	B2 *	1/2016	Eckhoff	A61J 1/065

* cited by examiner

Primary Examiner — Susan Bennett Hattan

Assistant Examiner — Rebecca Tsehaye

(74) *Attorney, Agent, or Firm* — Justin W. McCabe;
Dunkiel Saunders Elliott Raubvogel & Hand, PLLC

(57) **CLAIM**

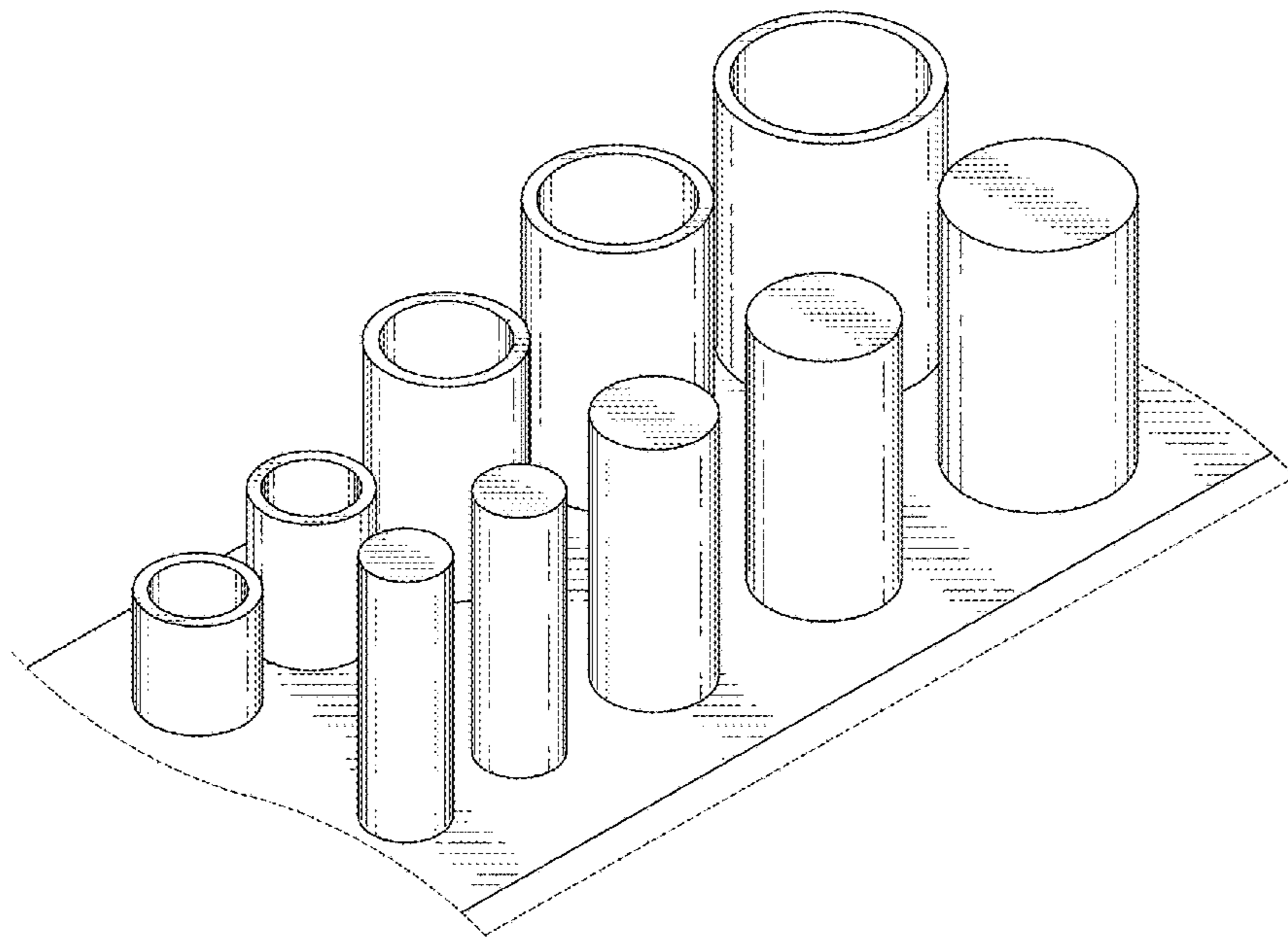
The ornamental design for an ampoule stand, as shown and described.

DESCRIPTION

FIG. 1 is a perspective view of the ampoule stand;
 FIG. 2 is a top plan view of the ampoule stand shown in FIG. 1;
 FIG. 3 is a rear elevation view of the ampoule stand shown in FIG. 1;
 FIG. 4 is a front elevation view of the ampoule stand shown in FIG. 1;
 FIG. 5 is a left side elevation view of the ampoule stand shown in FIG. 1; and,
 FIG. 6 is a right side elevation view of the ampoule stand shown in FIG. 1.

The broken lines in the drawing depict the boundary of the claim. It is understood that the claim extends to the boundary but that the boundary forms no part of the claim

1 Claim, 6 Drawing Sheets



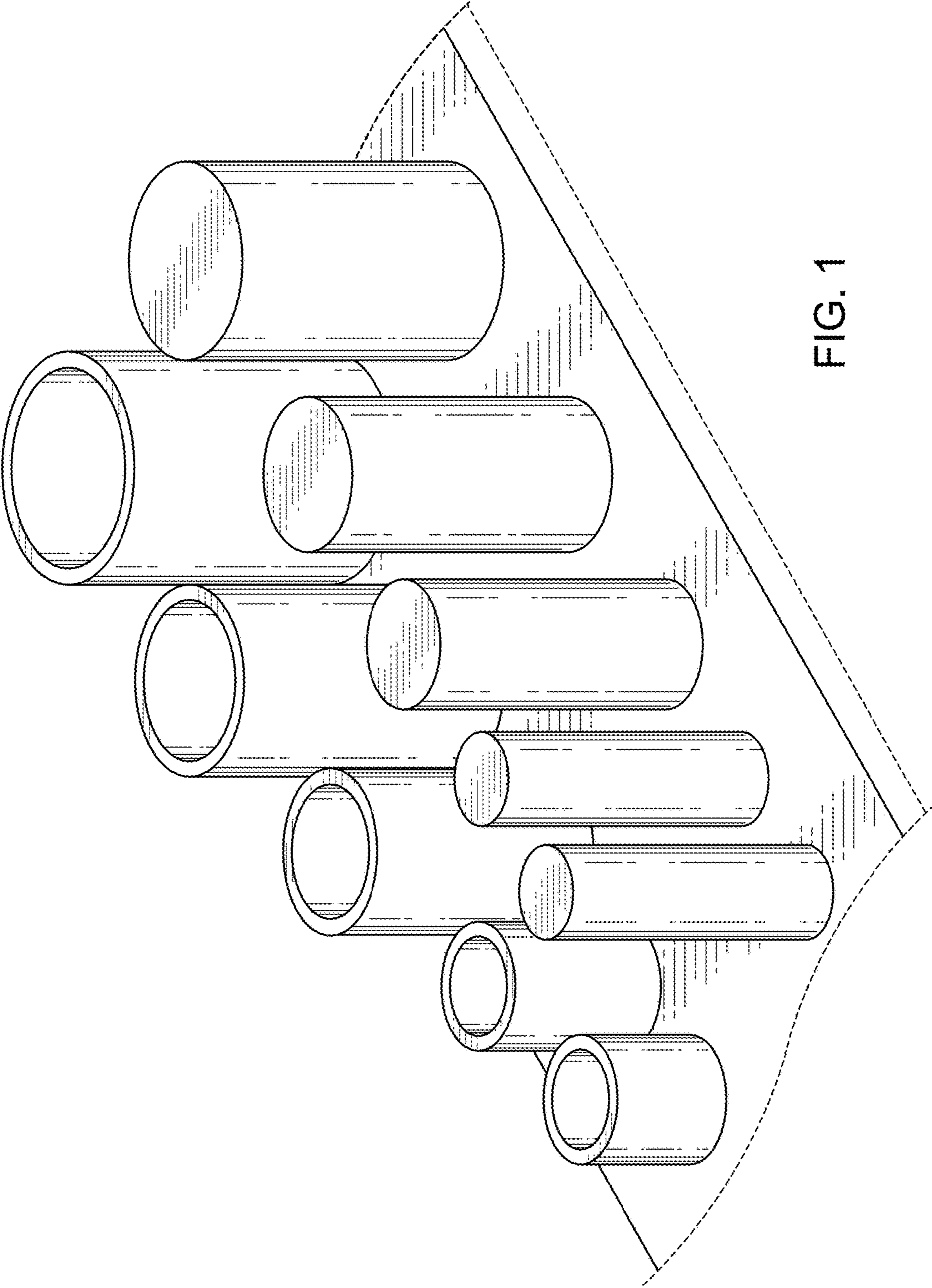


FIG. 1

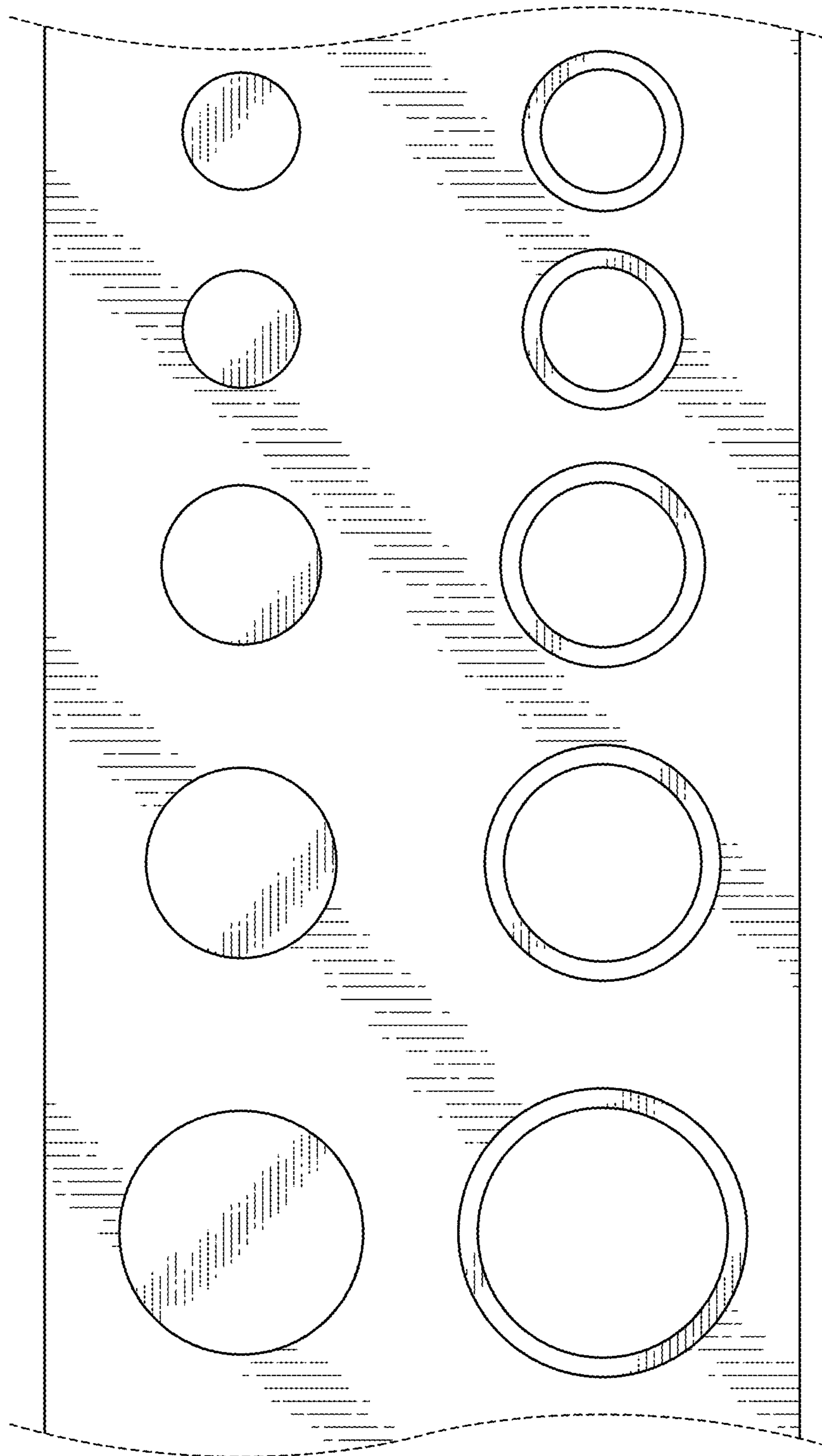


FIG. 2

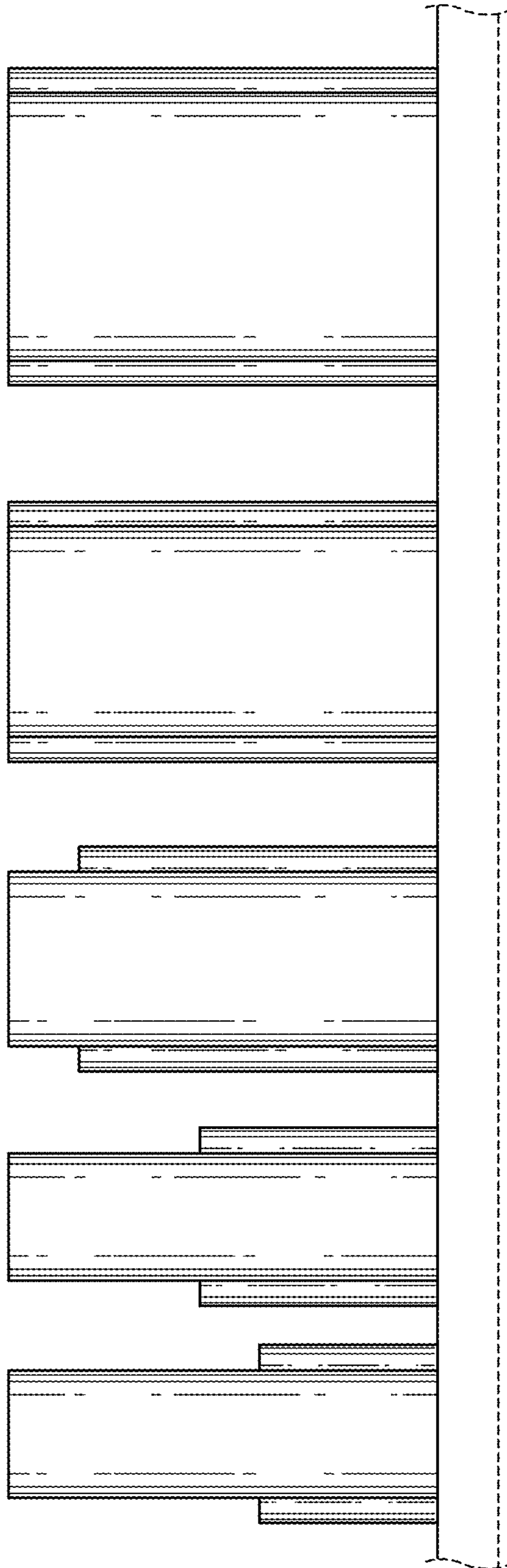


FIG. 3

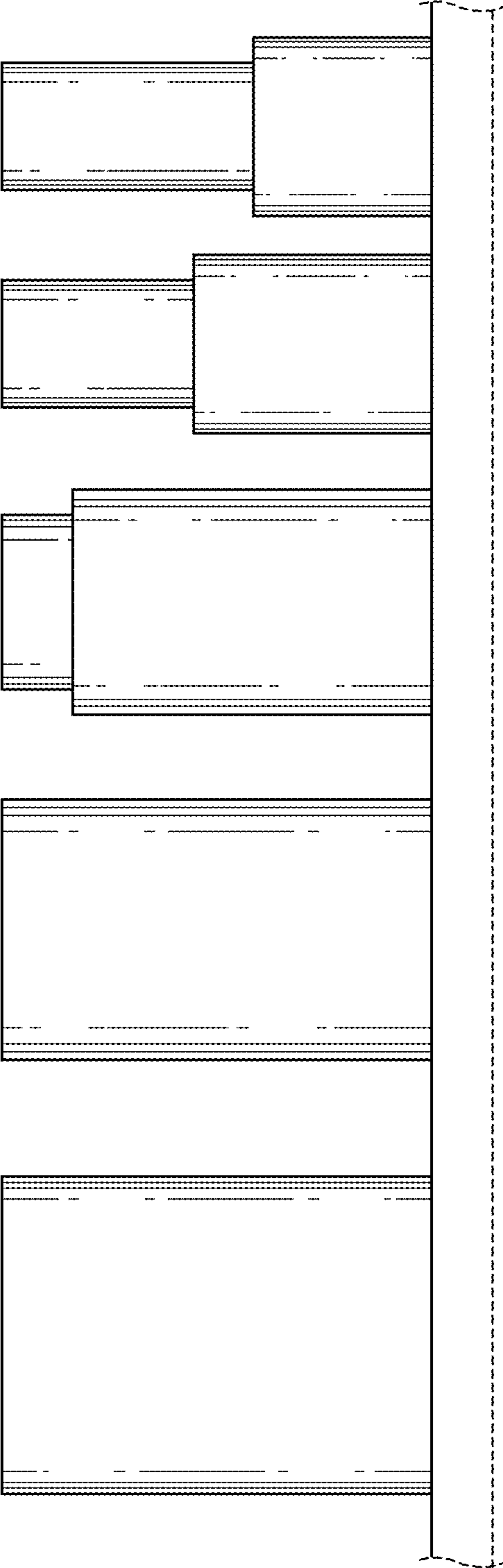


FIG. 4

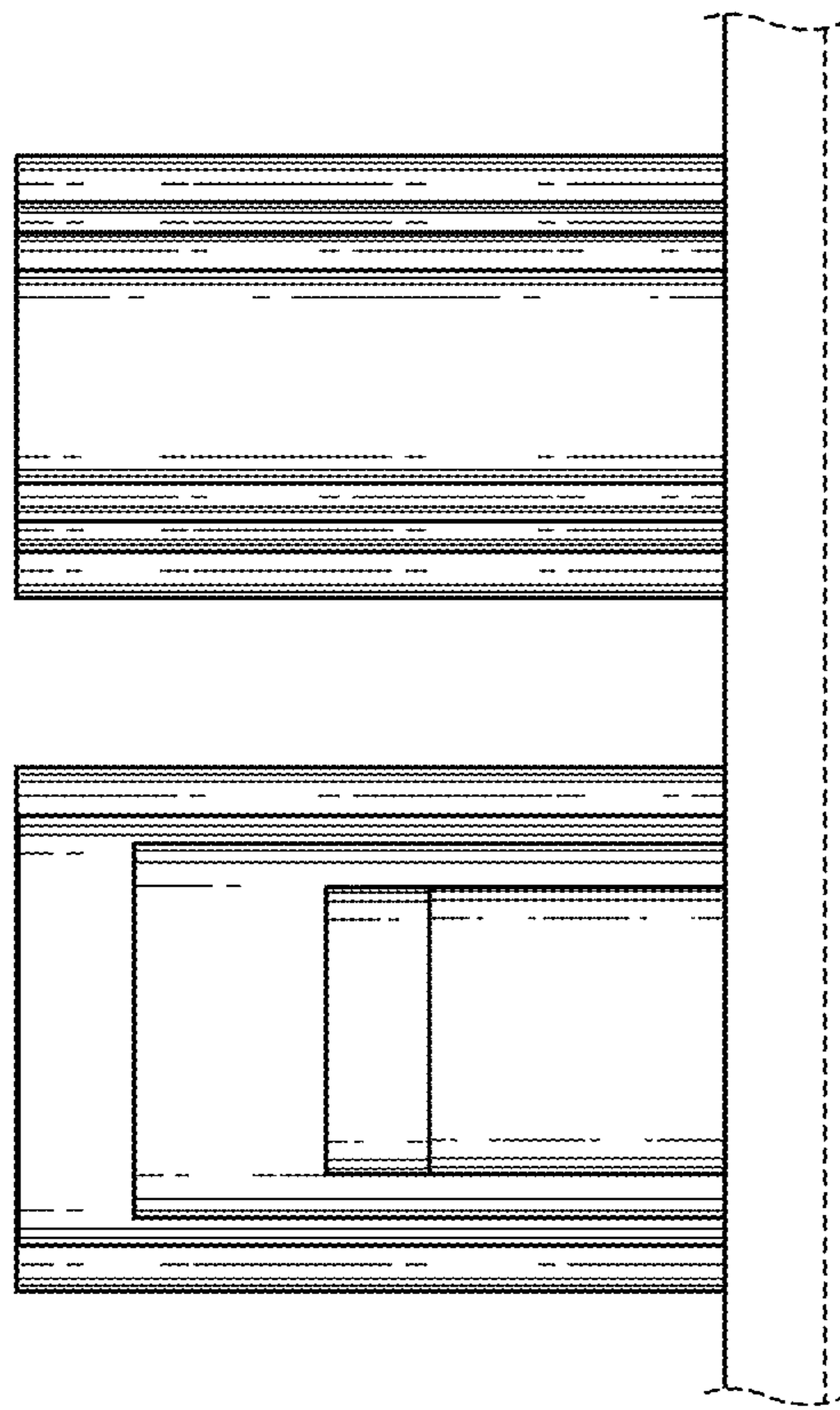


FIG. 5

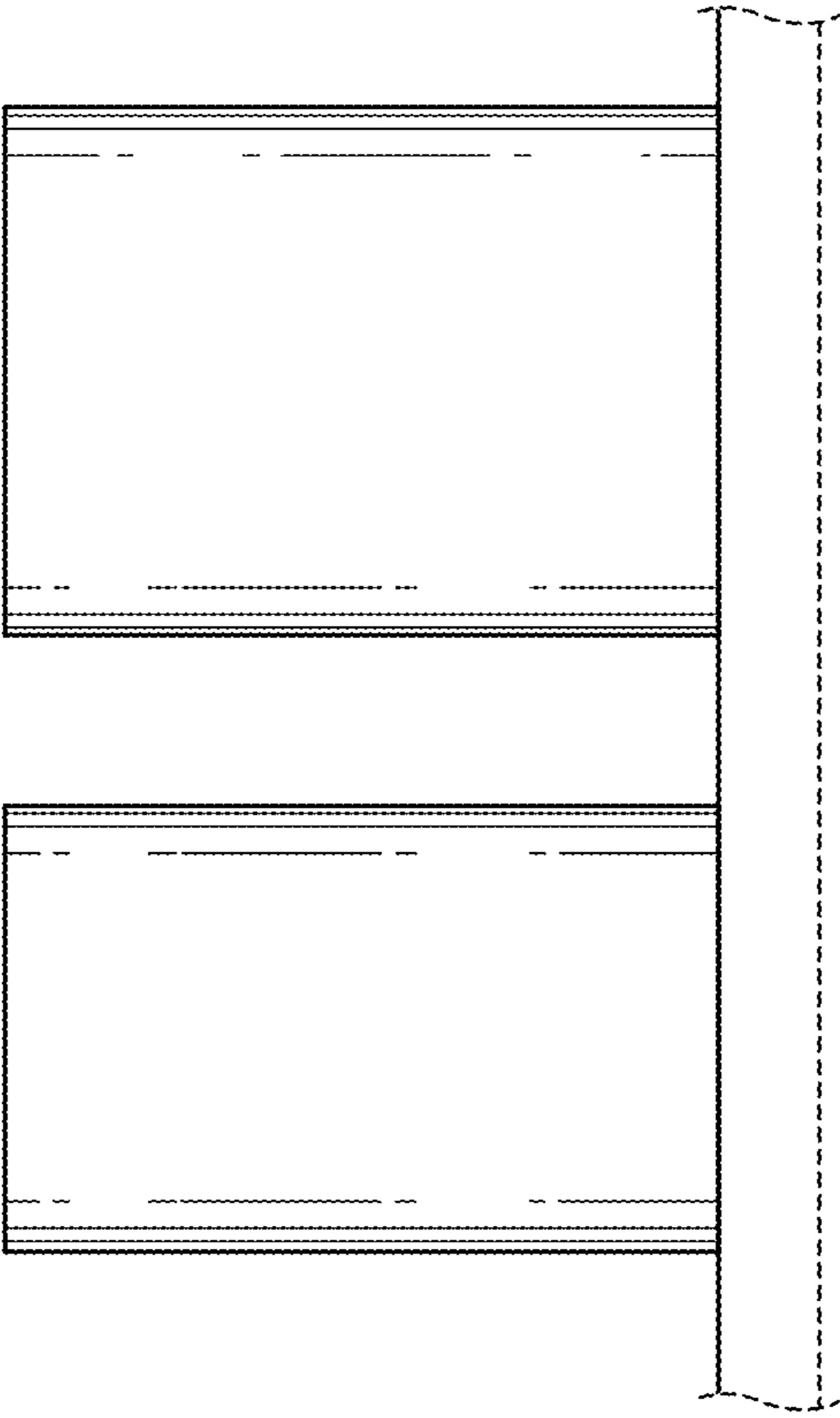


FIG. 6