



US00D802157S

(12) **United States Design Patent**
Kasuto et al.

(10) **Patent No.:** **US D802,157 S**
(45) **Date of Patent:** **** Nov. 7, 2017**

(54) **CARRIER FOR CELL CULTURE**
(71) Applicant: **Pluristem Ltd.**, Haifa (IL)
(72) Inventors: **Harel Kasuto**, Kibbutz Yifat (IL);
Eytan Abraham, Frederick, MD (US)
(73) Assignee: **Pluristem Ltd.**, Haifa (IL)
(**) Term: **14 Years**
(21) Appl. No.: **29/499,989**
(22) Filed: **Aug. 20, 2014**

4,871,674 A * 10/1989 Matsui C12M 25/04
422/69
5,139,951 A * 8/1992 Butz C12M 23/00
422/552
D360,698 S * 7/1995 Stevens D24/224
5,468,638 A * 11/1995 Barker C12M 25/04
422/536
D372,750 S * 8/1996 Schloss D21/707
D385,002 S * 10/1997 Schloss D21/707
D404,497 S * 1/1999 Lahm D24/224
D408,482 S * 4/1999 Morrison D21/708
6,220,980 B1 * 4/2001 Adler A63B 43/002
473/612
D467,287 S * 12/2002 Manville D21/498
6,495,340 B2 * 12/2002 Huberman B01L 3/5025
435/29

(30) **Foreign Application Priority Data**
Mar. 2, 2014 (IL) 55315
(51) **LOC (10) Cl.** **24-02**
(52) **U.S. Cl.**
USPC **D24/224**
(58) **Field of Classification Search**
USPC D24/216, 222, 224-233; D10/81;
D21/707-708, 498, 801, 398, 484, 488;
D1/130; 435/29, 4, 41, 174, 325, 289.1,
435/305.1, 34, 383, 304.1, 30, 297.5,
435/288.4; 422/69, 547-564, 400, 536;
D30/160; 473/612-613; 446/120;
206/438, 528; 73/864.91, 863.23;
D8/354; 436/165; 424/93.7
CPC B65D 35/22; B65D 51/32; B01L 3/505;
B01L 3/508; B01L 3/5082; B01L 9/06;
C12M 23/08; G01N 35/1002; G01N
33/528; G01N 1/08; G01N 1/18; A61B
17/00491; A61B 10/0038; A61B 10/0096;
A61B 10/0045; A61M 5/19; A61M
3/0279
See application file for complete search history.

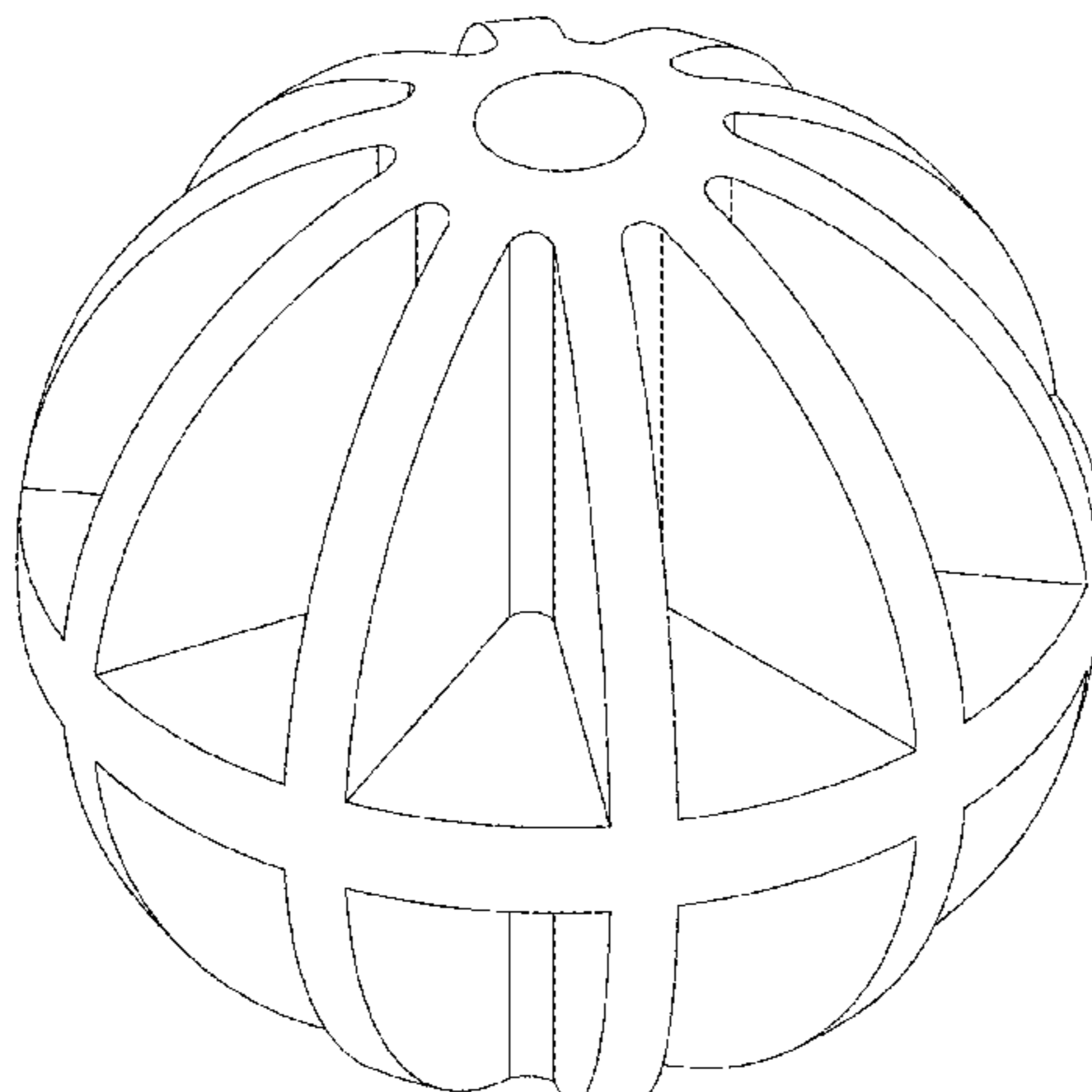
(Continued)
Primary Examiner — Ian Simmons
Assistant Examiner — Mark Cavanna
(74) *Attorney, Agent, or Firm* — Sullivan & Worcester
LLP

(56) **References Cited**
U.S. PATENT DOCUMENTS
4,302,900 A * 12/1981 Rayner A63H 33/062
446/120
D301,737 S * 6/1989 Powers D24/224

(57) **CLAIM**
We claim the ornamental design for a carrier for cell culture,
as shown and described.

DESCRIPTION
FIG. 1 is a perspective view of a carrier for cell culture
according to our new design.
FIG. 2 is a front view thereof;
FIG. 3 is a rear view thereof;
FIG. 4 is a left side view thereof;
FIG. 5 is a right side view thereof;
FIG. 6 is top view thereof; and,
FIG. 7 is bottom view thereof.
The broken lines are included for the purpose of illustrating
unclaimed portions of the carrier for cell culture and form no
part of the claimed design.

1 Claim, 4 Drawing Sheets



(56)

References Cited

U.S. PATENT DOCUMENTS

D468,378 S * 1/2003 Routzong D21/398
 D473,318 S * 4/2003 Barbera-Guillem D24/216
 6,651,590 B2 * 11/2003 Willinger A01K 15/025
 119/702
 D511,029 S * 10/2005 Willinger D30/160
 D623,247 S * 9/2010 Zawitz D21/707
 D638,136 S * 5/2011 Parunak D24/224
 D662,804 S * 7/2012 Larson F16F 1/374
 D8/354
 D686,337 S * 7/2013 Tarunina D24/224
 8,507,261 B2 * 8/2013 Ogihara C12M 23/10
 435/287.1
 D690,828 S * 10/2013 Yoon D24/224
 D692,578 S * 10/2013 Kikuhara D24/216
 D698,940 S * 2/2014 Pribenszky D24/224
 D700,354 S * 2/2014 Plougsgaard C12M 21/06
 D24/224

D700,711 S * 3/2014 Kikuhara D24/216
 D707,776 S * 6/2014 Rubey D21/801
 D717,521 S * 11/2014 Slusarczyk D1/130
 D728,123 S * 4/2015 Cullimore D24/224
 D767,160 S * 9/2016 Schimmel D24/226
 D767,161 S * 9/2016 Schimmel D24/226
 D767,162 S * 9/2016 Schimmel D24/226
 D767,163 S * 9/2016 Schimmel D24/226
 D767,164 S * 9/2016 Schimmel D24/226
 D769,376 S * 10/2016 Wolff D21/398
 2004/0161855 A1 * 8/2004 Kvasnik B01L 3/545
 422/400
 2005/0058632 A1 * 3/2005 Hedrick A61F 2/442
 435/366
 2010/0041146 A1 * 2/2010 Kambayashi C12N 5/0062
 435/383
 2010/0135860 A1 * 6/2010 Halamis B01L 3/5025
 422/400

* cited by examiner

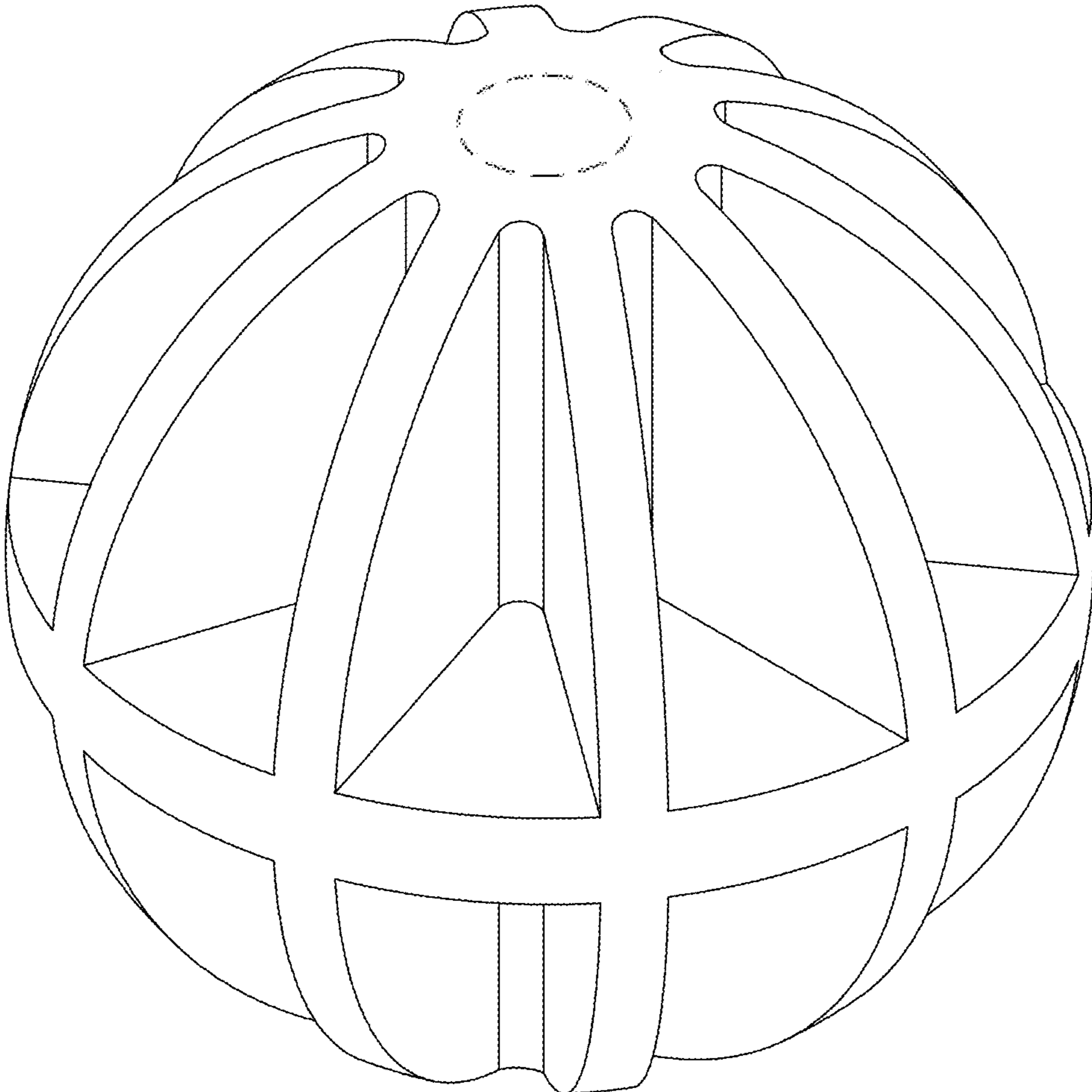


FIG.1

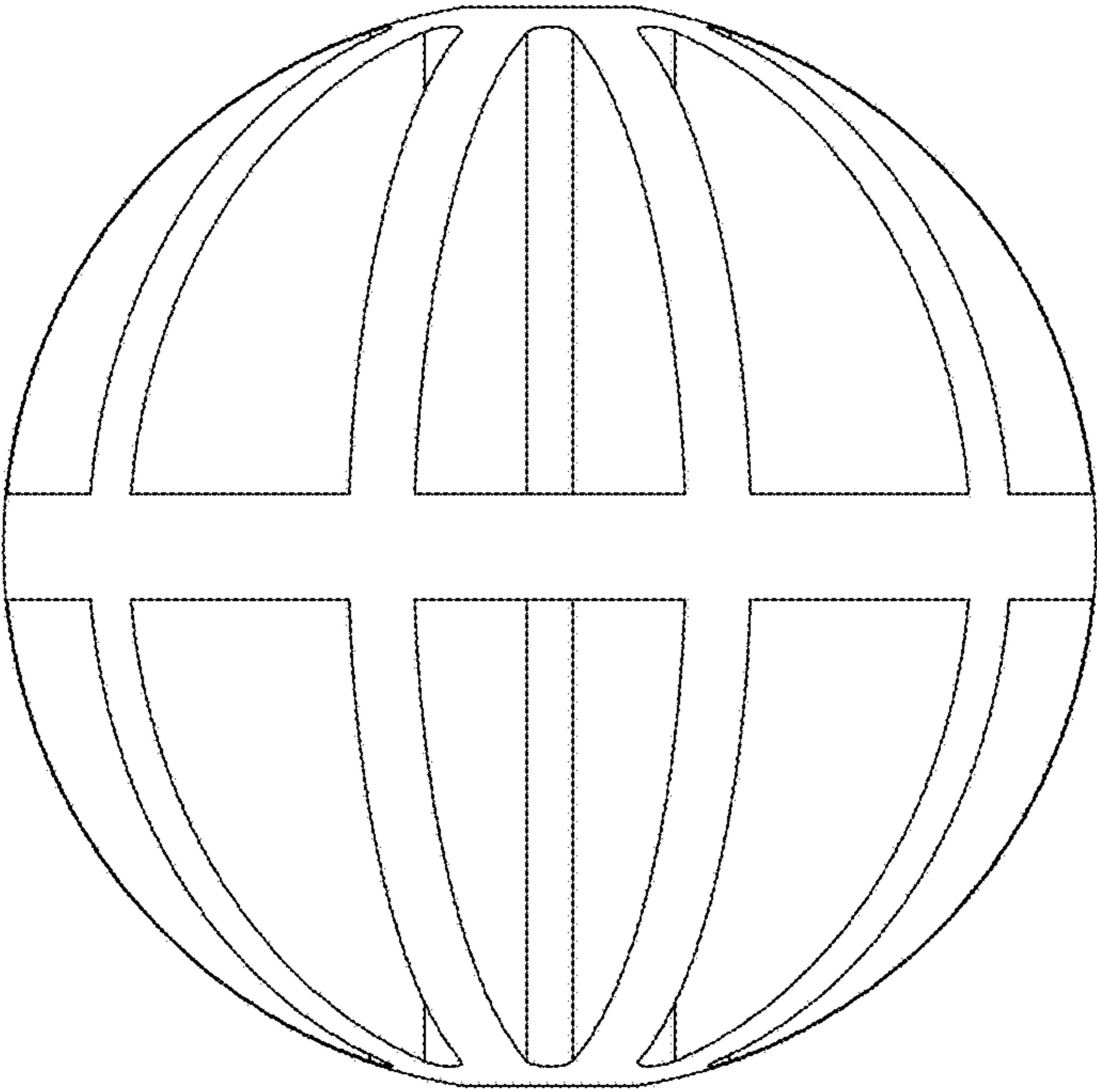


FIG. 2

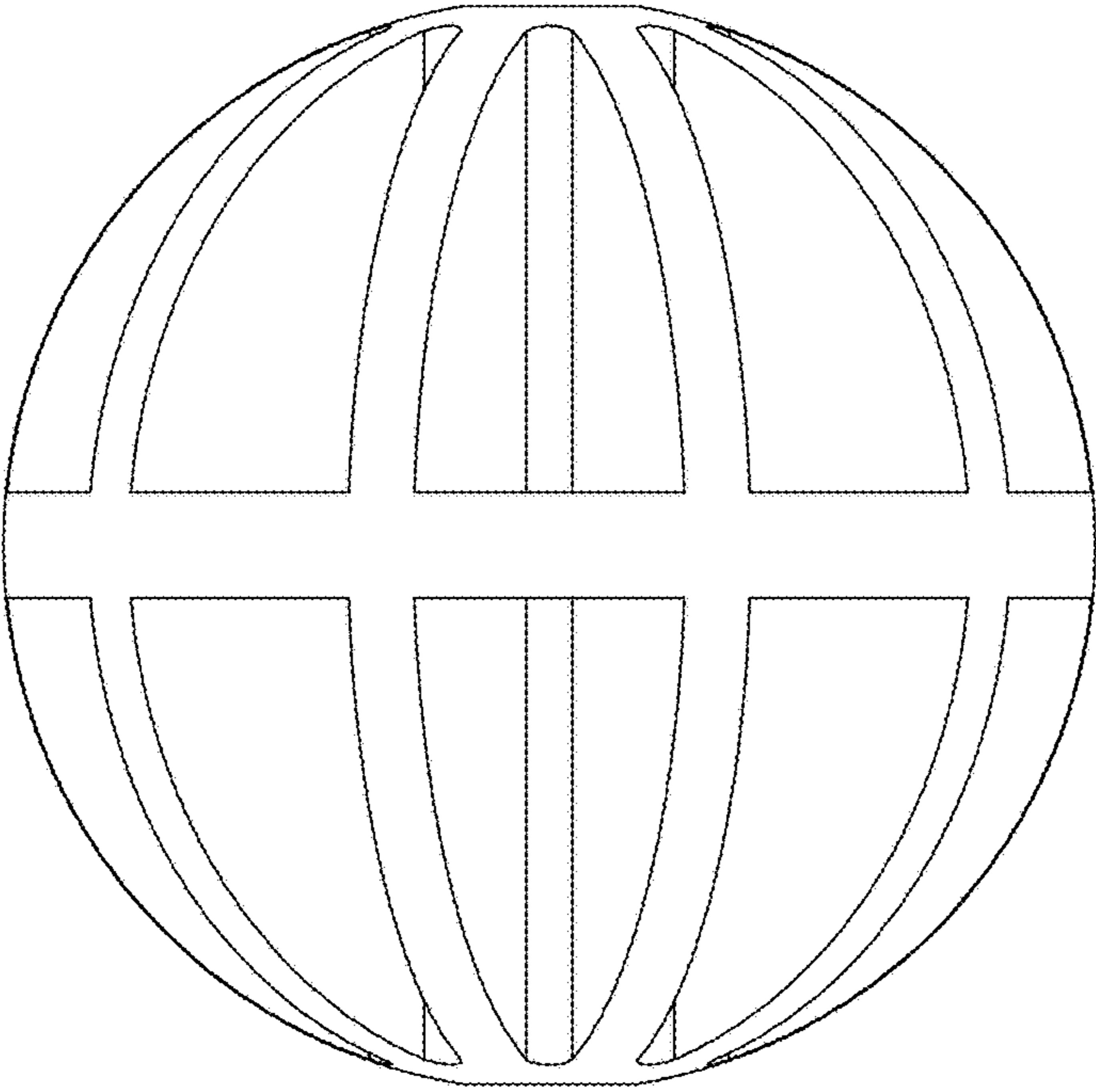


FIG. 3

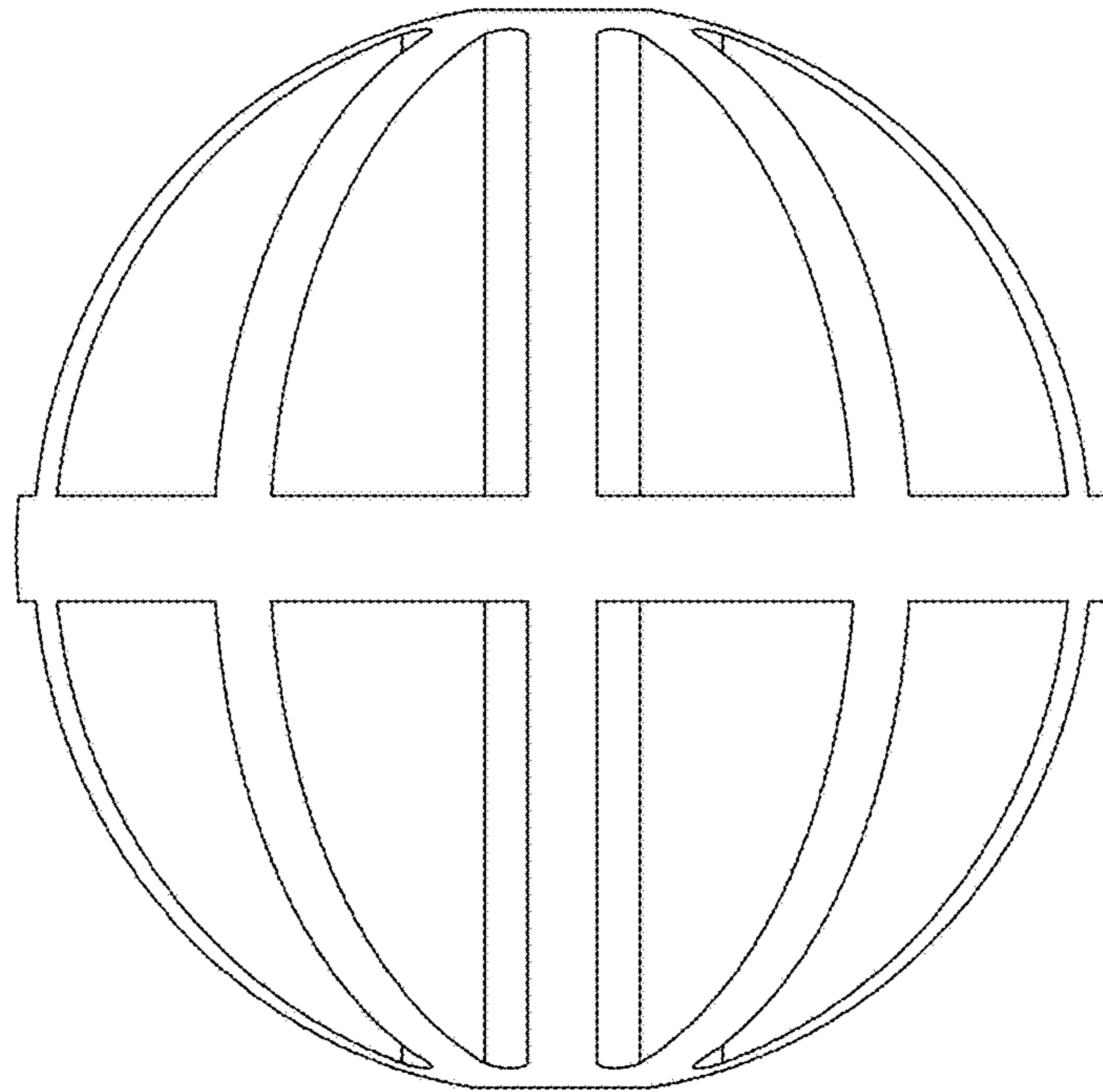


FIG. 4

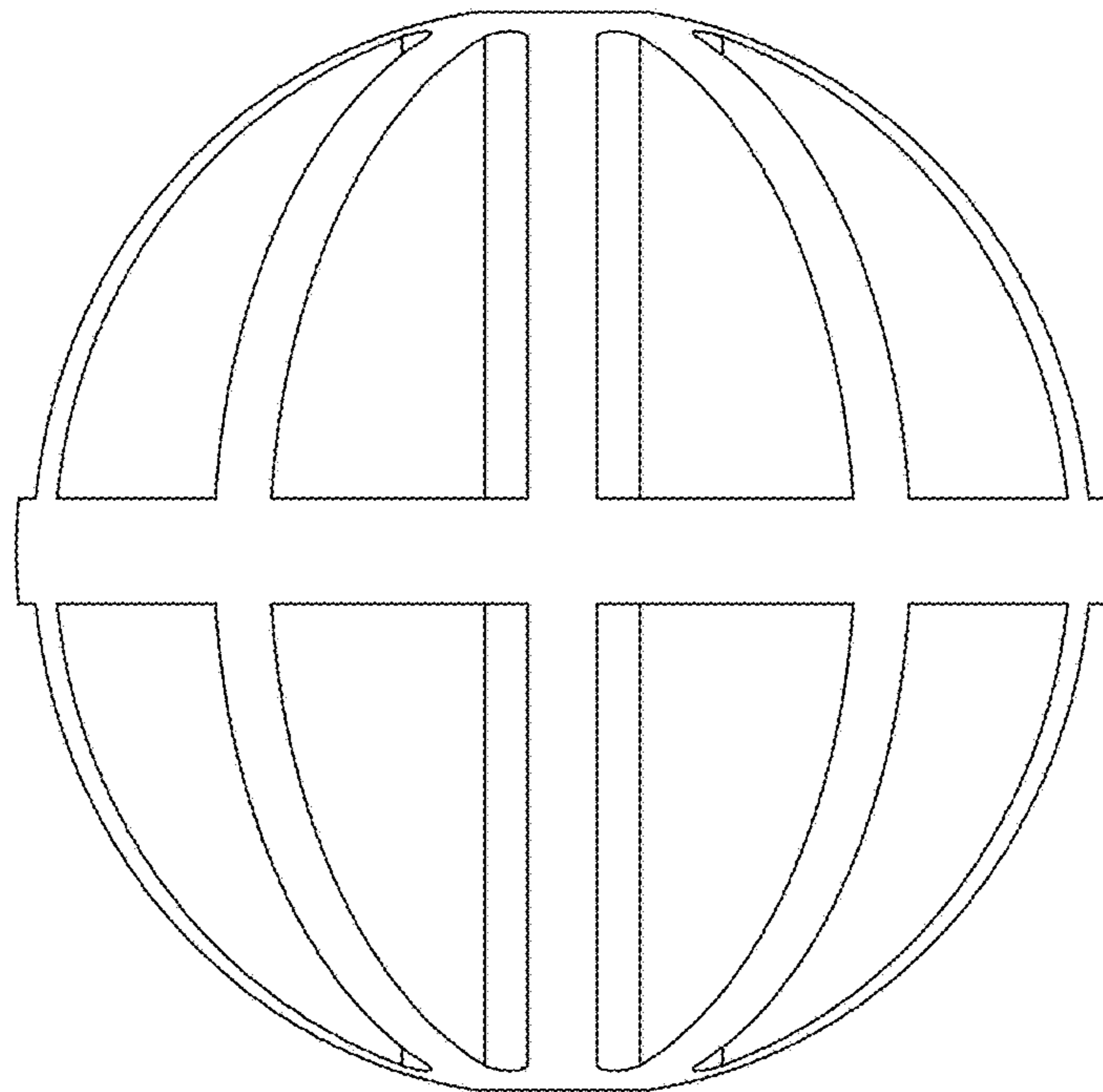


FIG. 5

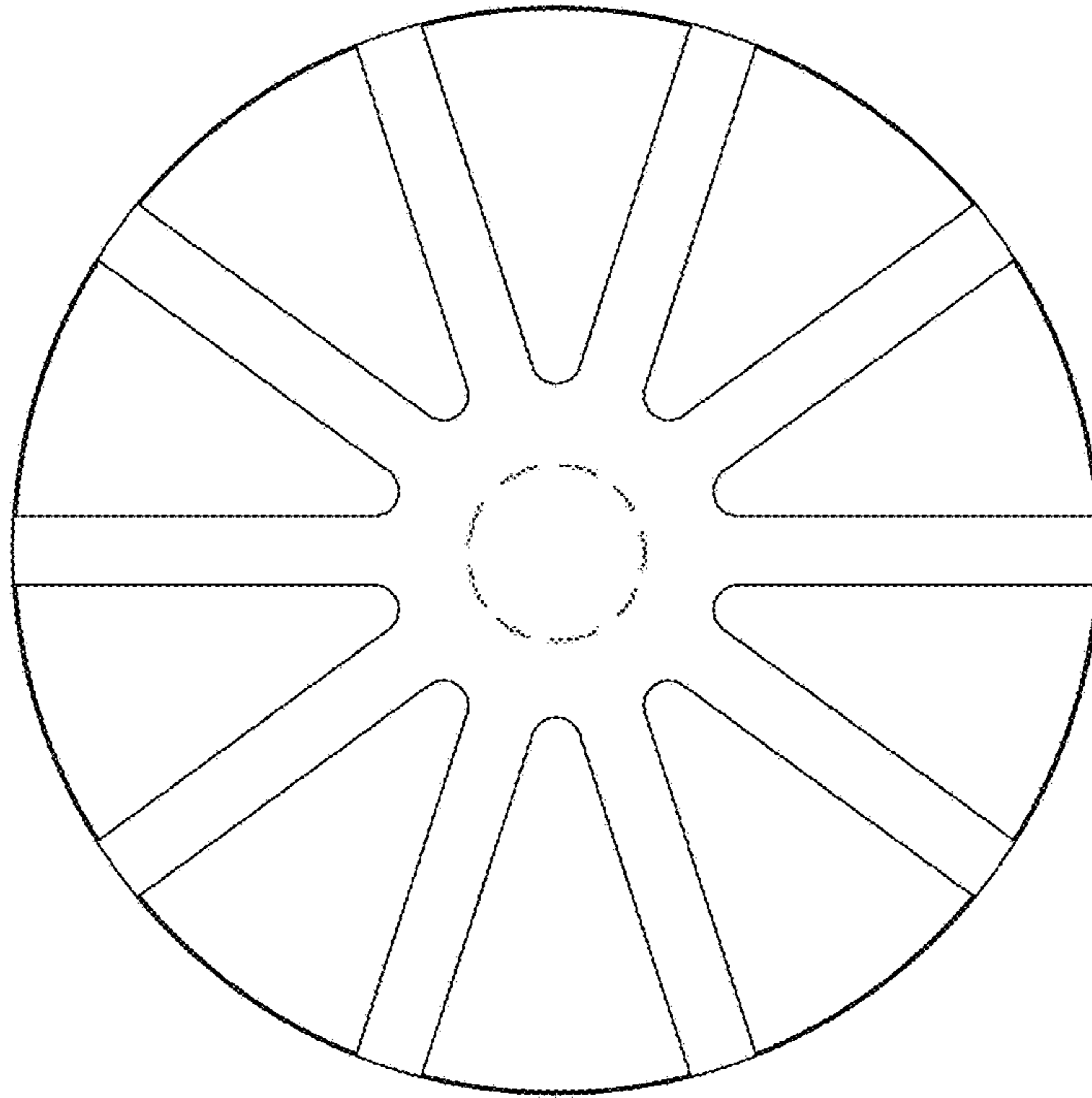


FIG. 6

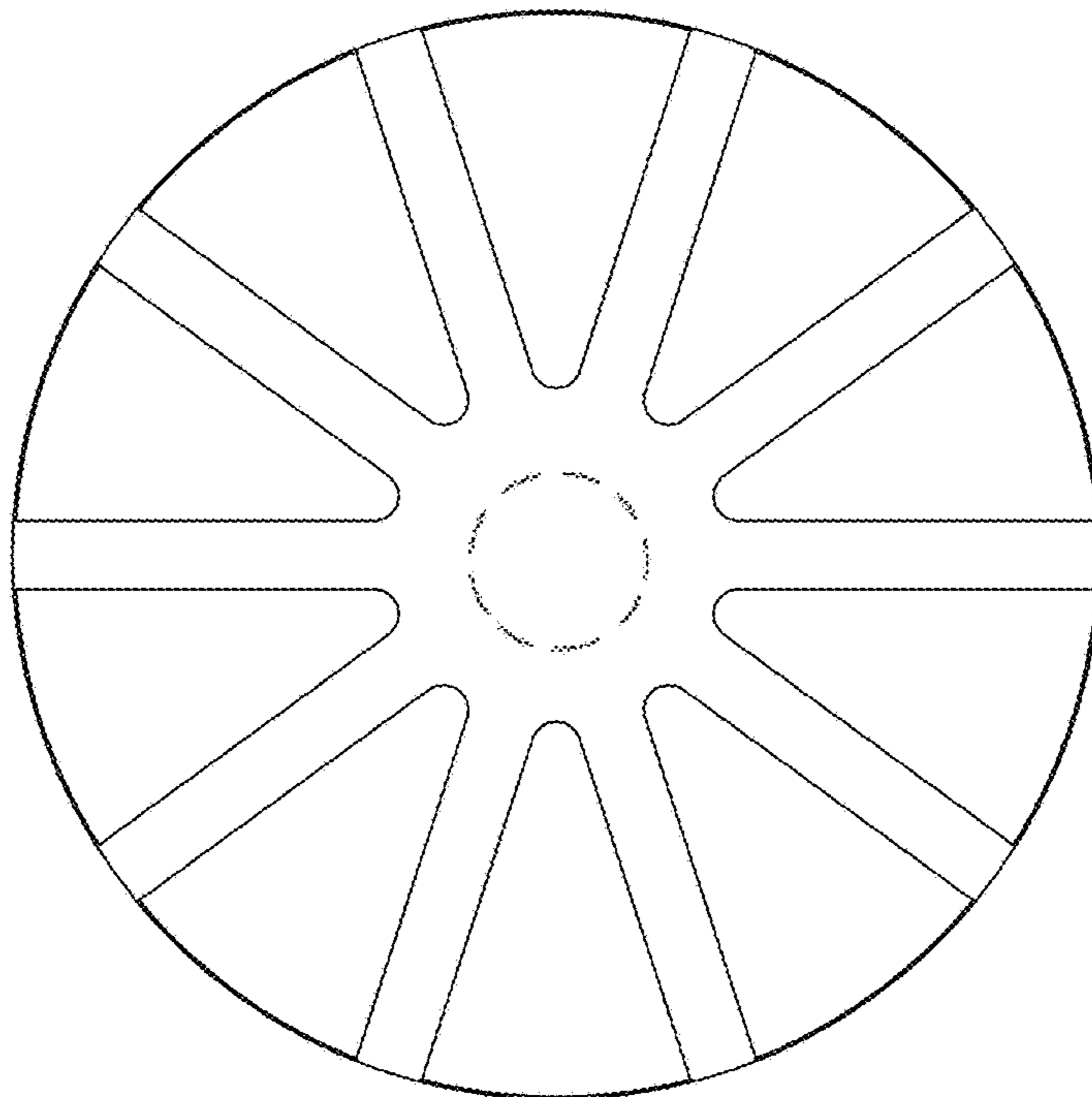


FIG. 7